



US00D780602S

(12) **United States Design Patent** (10) **Patent No.:** **US D780,602 S**  
**Heleniak et al.** (45) **Date of Patent:** **\*\* Mar. 7, 2017**

(54) **ATHLETIC TIMEPIECE**  
 (71) Applicant: **Swimmo Trainer Inc.**, Dover, DE (US)  
 (72) Inventors: **Mateusz Heleniak**, Poznan (PL);  
**Michal Bonikowski**, Poznan (PL)  
 (73) Assignee: **SWIMMO INC.**, Dover, DE (US)  
 (\*\*) Term: **14 Years**  
 (21) Appl. No.: **29/523,009**

D730,347 S \* 5/2015 Jung ..... D14/344  
 D731,482 S \* 6/2015 Song ..... D14/344  
 D732,022 S \* 6/2015 Song ..... D14/344  
 D736,652 S \* 8/2015 Isaacs ..... D10/32  
 D738,772 S \* 9/2015 Choi ..... D11/3  
 D742,372 S \* 11/2015 Christopher ..... D14/344  
 D745,513 S \* 12/2015 Jung ..... D14/344  
 D747,714 S \* 1/2016 Erbeus ..... D10/32  
 D750,623 S \* 3/2016 Park ..... D10/38  
 D752,043 S \* 3/2016 Ji ..... D10/38  
 D759,622 S \* 6/2016 Dahlberg ..... D10/32  
 D762,641 S \* 8/2016 Lee ..... D14/344  
 2015/0063075 A1\* 3/2015 Baek ..... G04G 17/04  
 368/10

(22) Filed: **Apr. 6, 2015**  
 (51) **LOC (10) Cl.** ..... **10-02**  
 (52) **U.S. Cl.**  
 USPC ..... **D10/38**  
 (58) **Field of Classification Search**  
 USPC ..... D10/132; D14/344, 138 R; 368/294  
 CPC ..... G04B 19/00; G04B 19/06; G04B 39/00;  
 G04B 39/002; G04B 39/004; G04B  
 39/006; G04F 7/06; A01G 25/165; B05B  
 12/02  
 See application file for complete search history.

\* cited by examiner

*Primary Examiner* — Sandra Snapp  
 (74) *Attorney, Agent, or Firm* — Leason Ellis LLP

(57) **CLAIM**

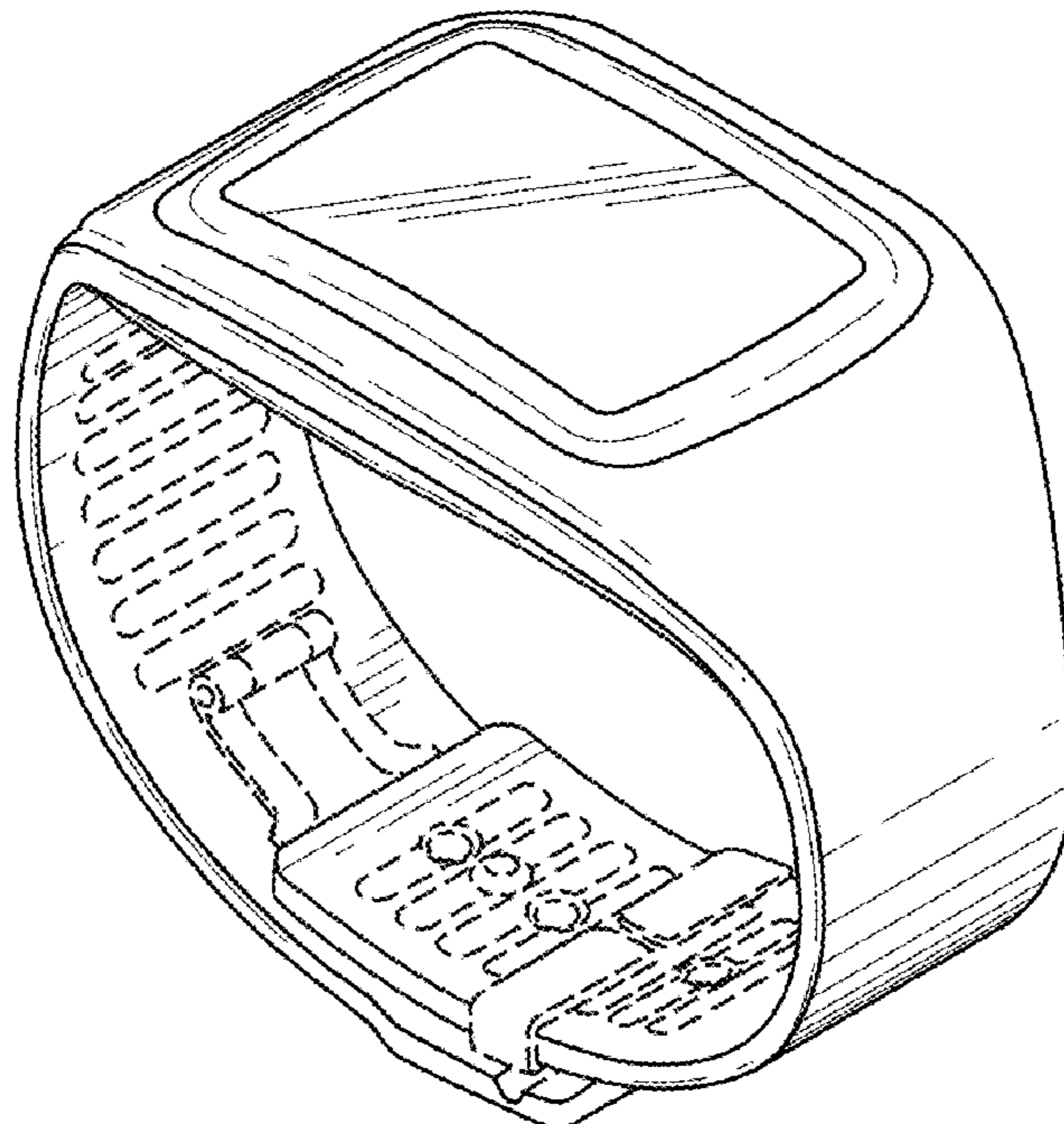
The ornamental design for an athletic timepiece, as shown and described.

**DESCRIPTION**

FIG. 1 is a top perspective view of an athletic timepiece, showing our new design;  
 FIG. 2 is a bottom perspective view thereof;  
 FIG. 3 is a top plan view thereof;  
 FIG. 4 is bottom plan view thereof;  
 FIG. 5 is a left side elevation view thereof;  
 FIG. 6 is a right side elevation view thereof;  
 FIG. 7 is a front elevation view thereof; and,  
 FIG. 8 is a rear elevation view thereof.  
 The broken lines of FIGS. 1-8 of the athletic timepiece illustrate environment and for no part of the claimed design.

(56) **References Cited**  
 U.S. PATENT DOCUMENTS  
 D456,724 S \* 5/2002 Wilson ..... D10/30  
 D474,981 S \* 5/2003 Wilson ..... D10/32  
 D636,686 S \* 4/2011 Cobbett ..... D10/38  
 D701,504 S \* 3/2014 Christopher ..... D14/344  
 D720,074 S \* 12/2014 Suvilaakso ..... D24/167  
 D727,188 S \* 4/2015 Sullivan ..... D10/70  
 D727,759 S \* 4/2015 Martinez ..... D10/70  
 D729,238 S \* 5/2015 Song ..... D14/344  
 D730,210 S \* 5/2015 Song ..... D10/103

**1 Claim, 4 Drawing Sheets**



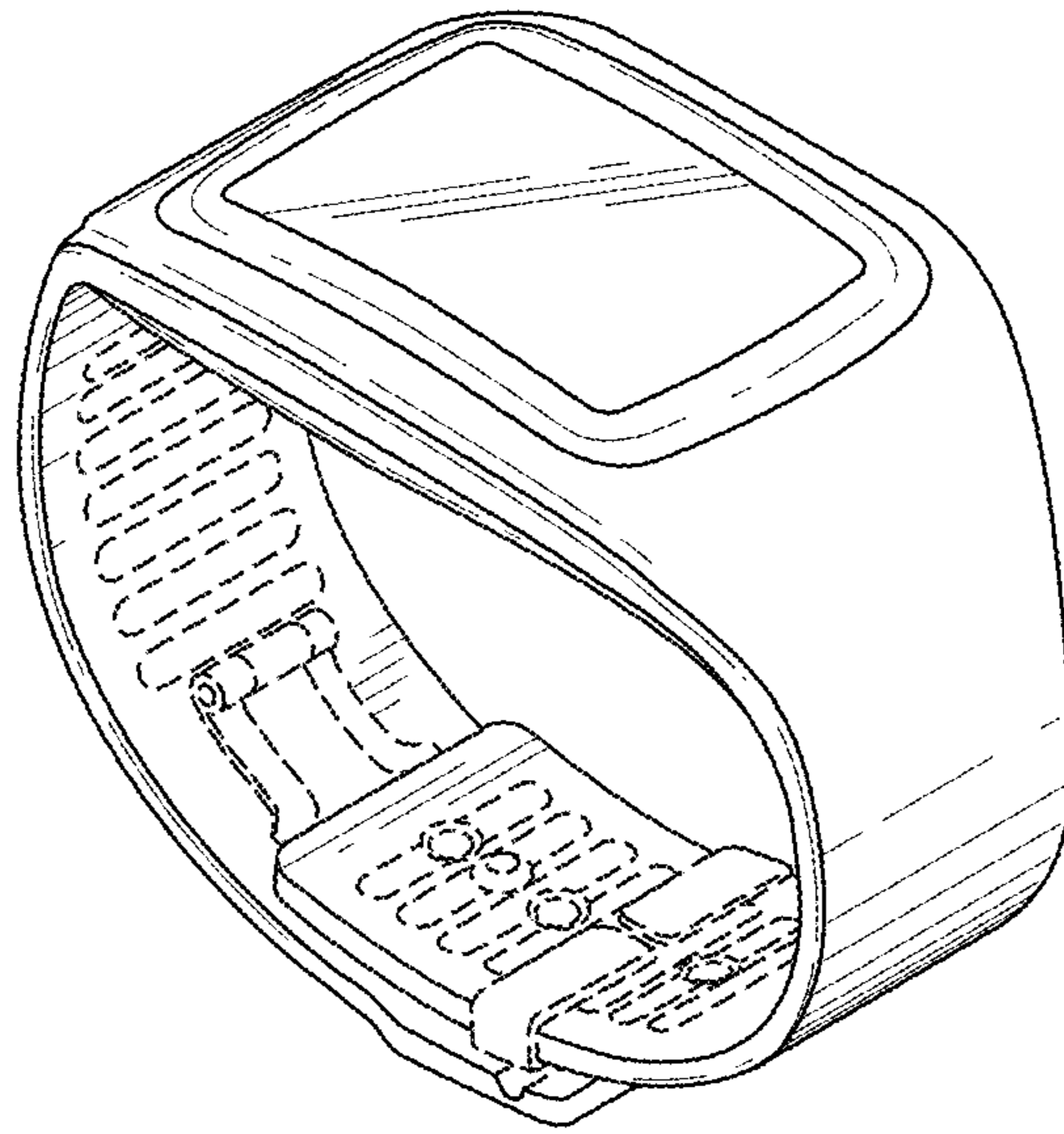


Fig. 1

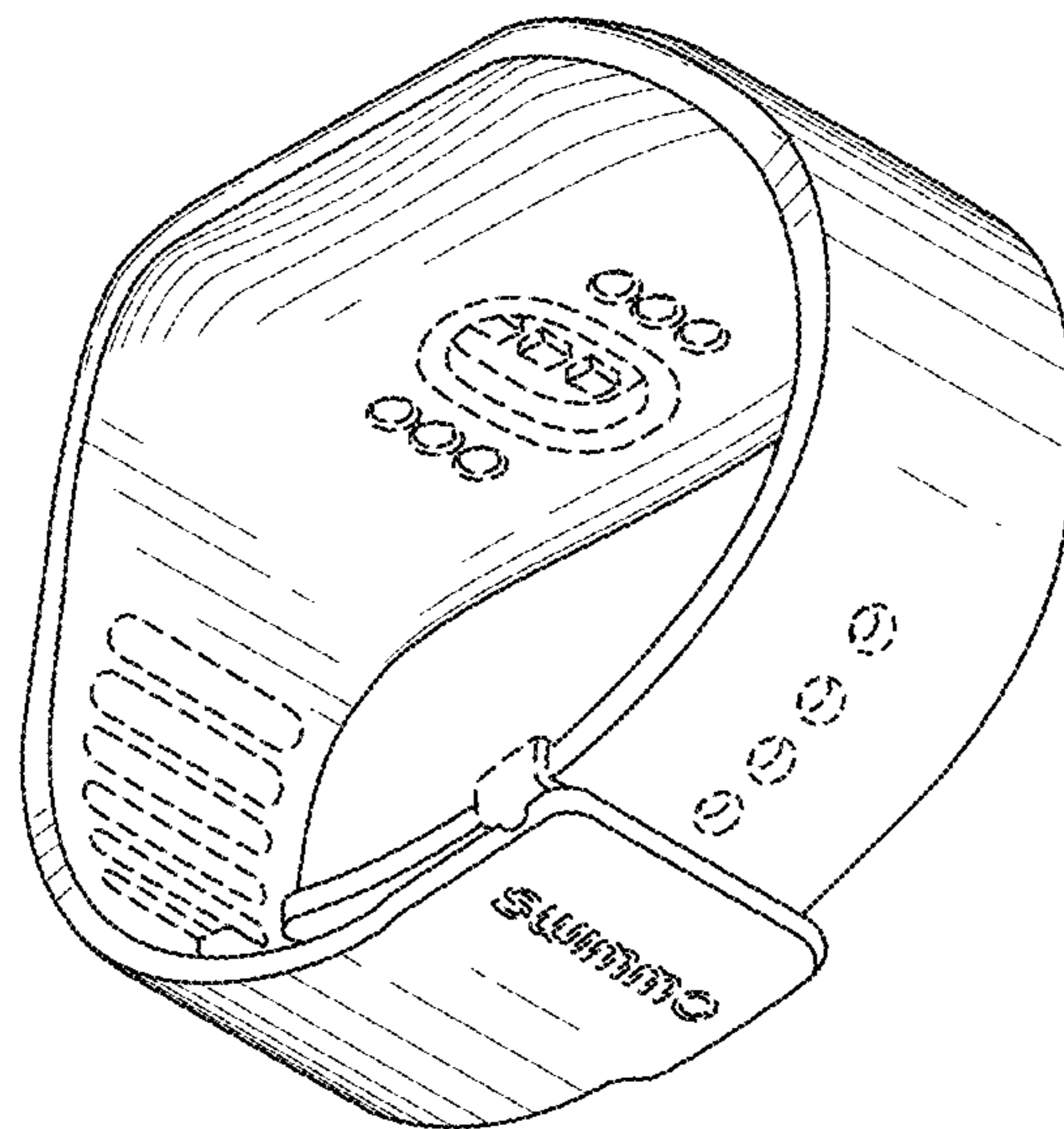


Fig. 2

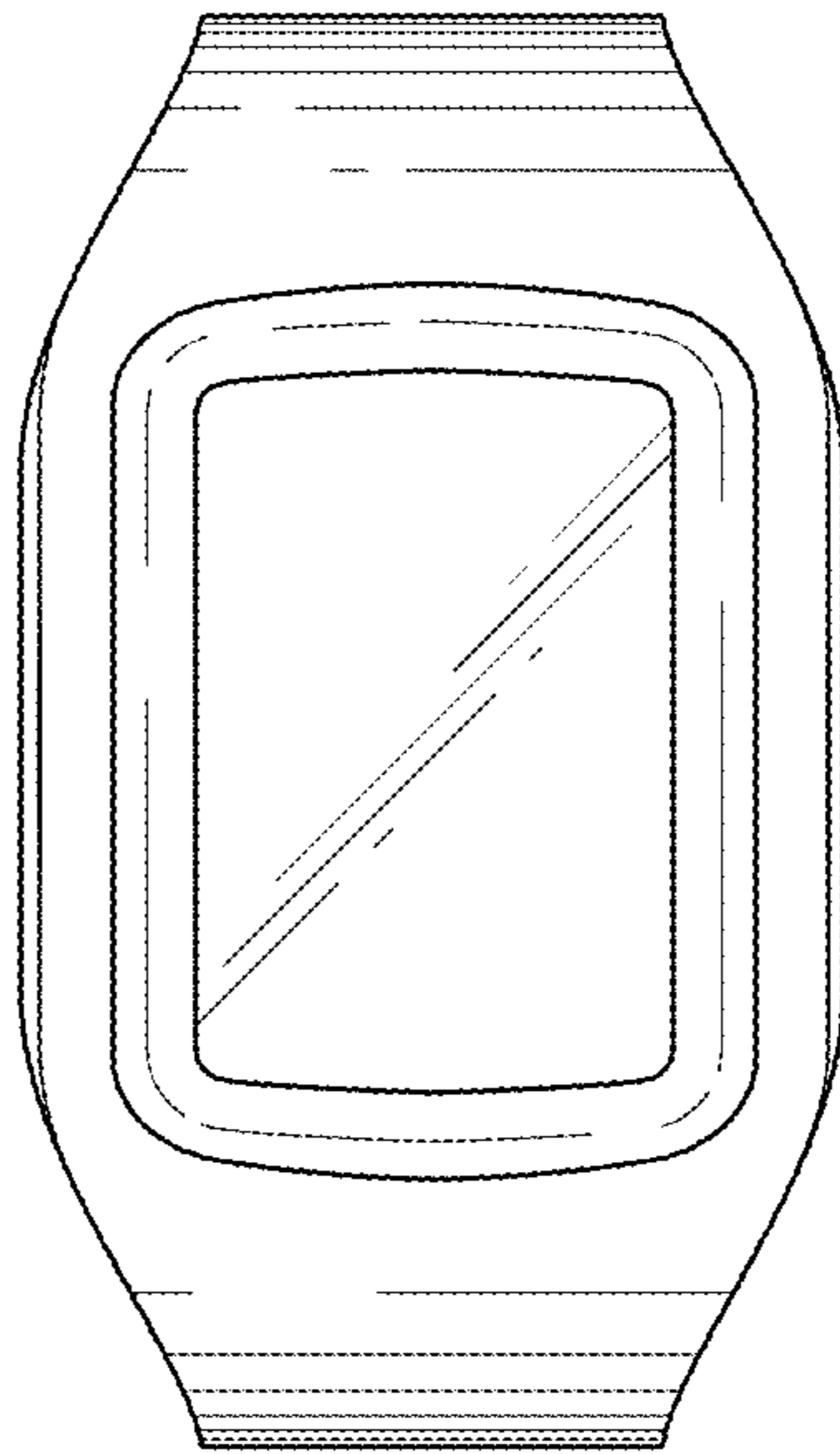


Fig. 3

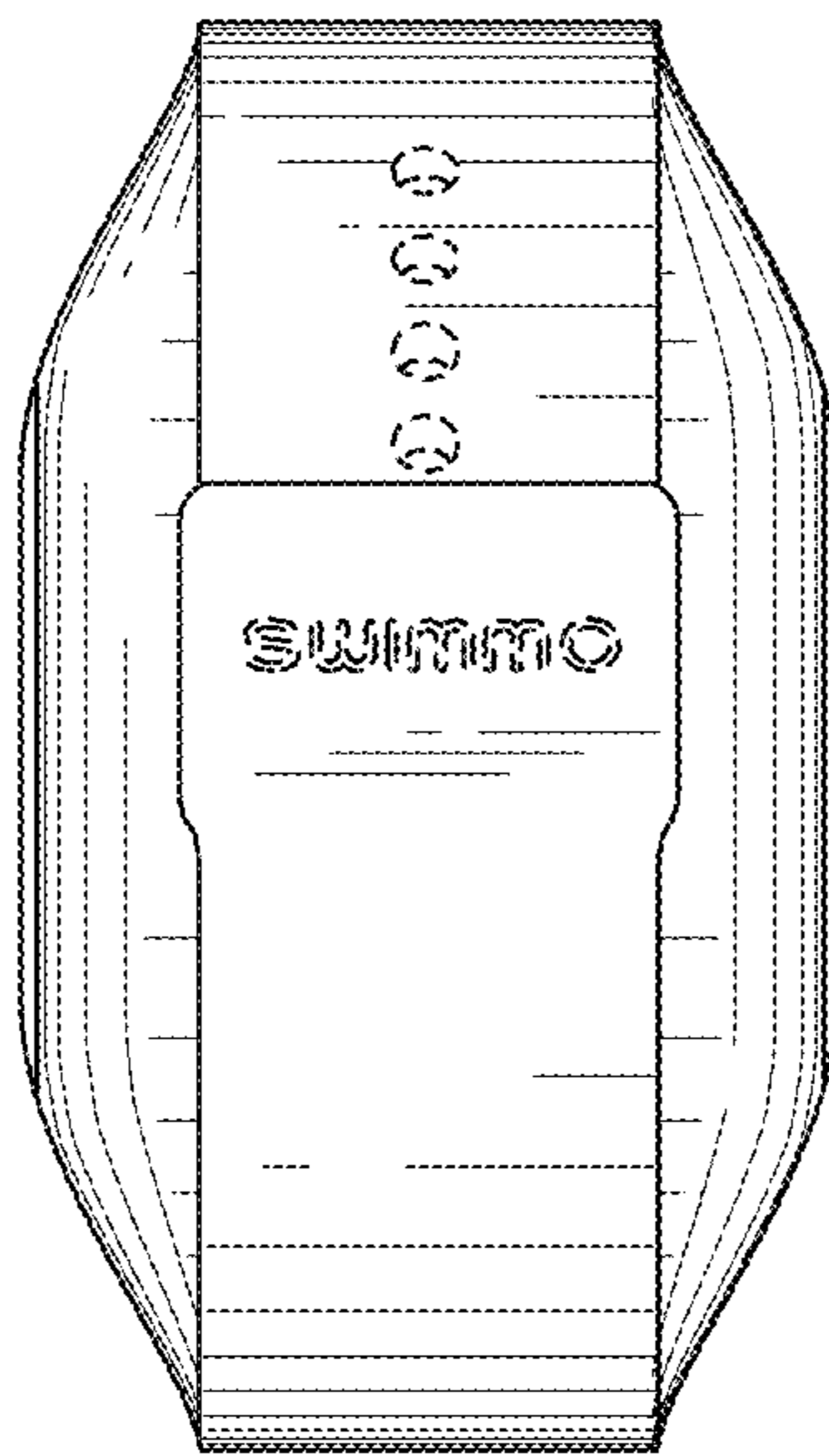


Fig. 4

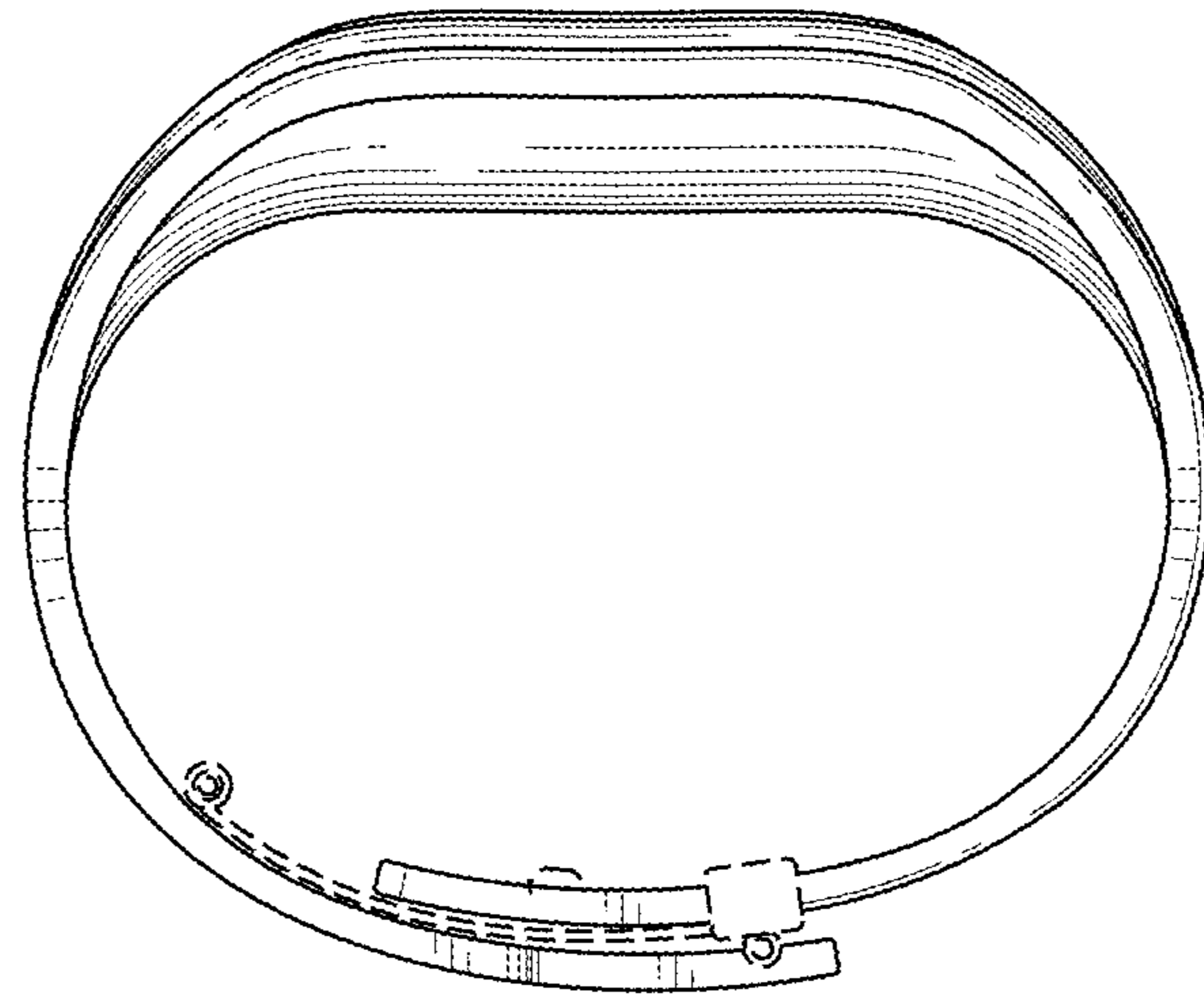


Fig. 5

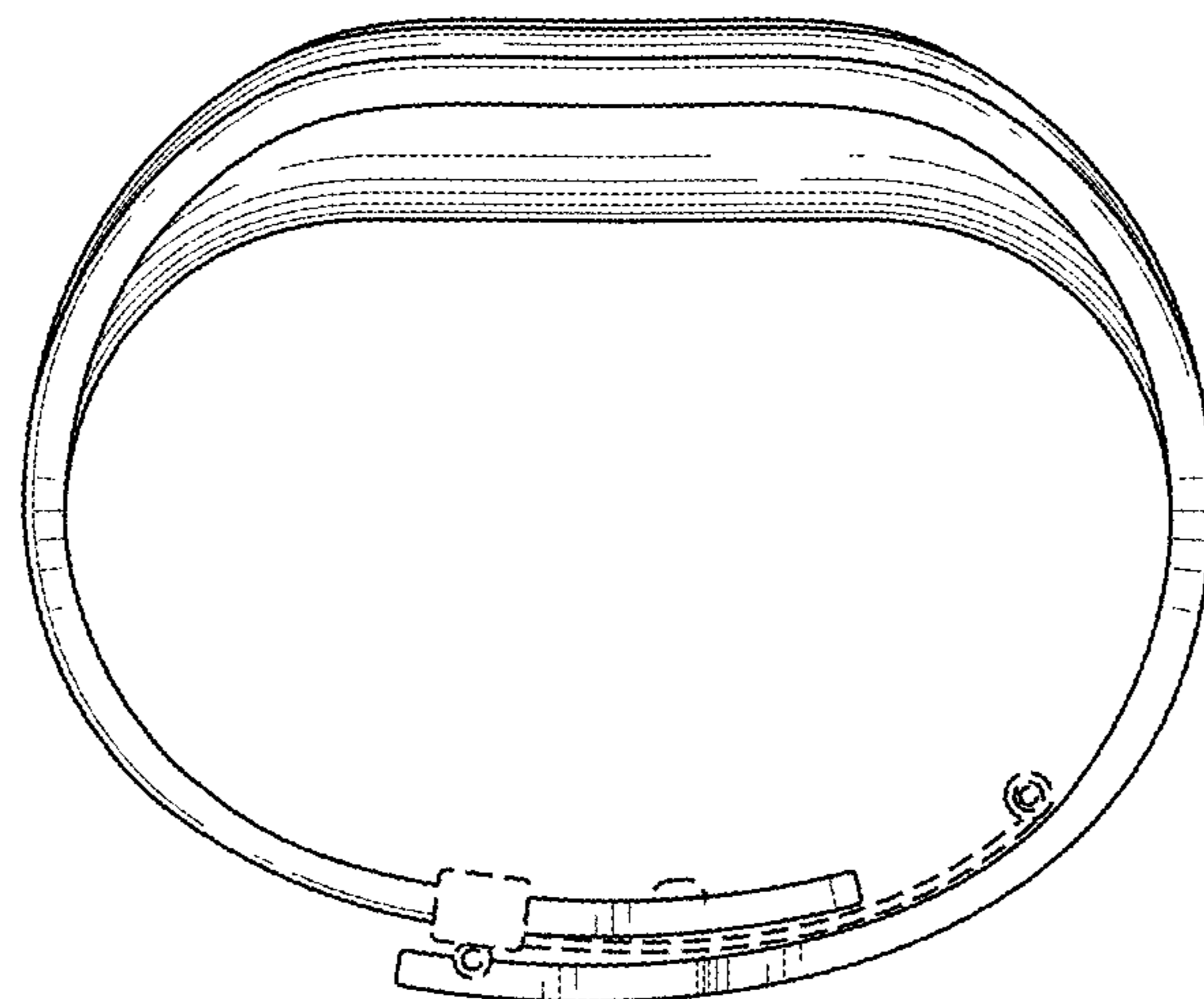


Fig. 6

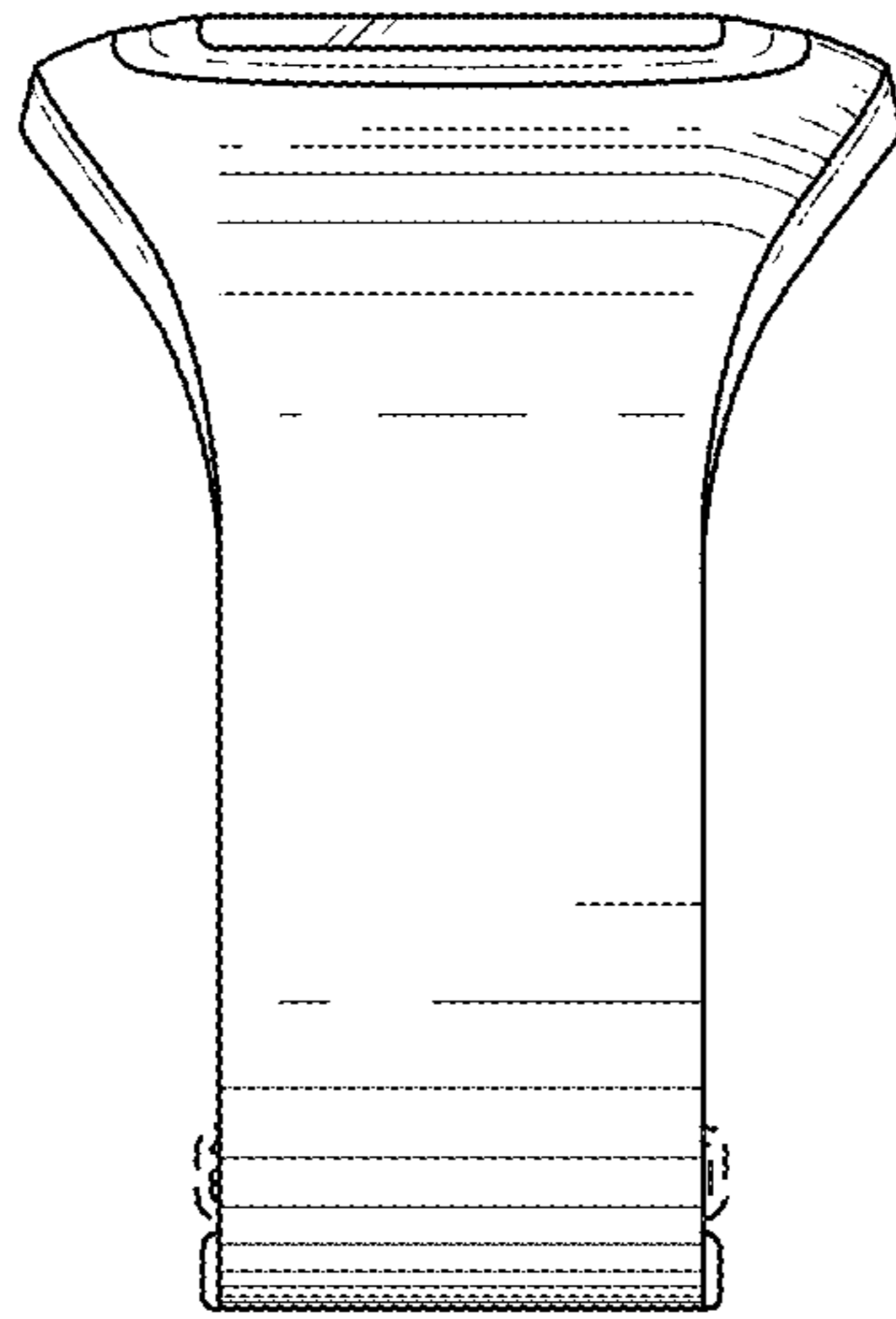


Fig. 7

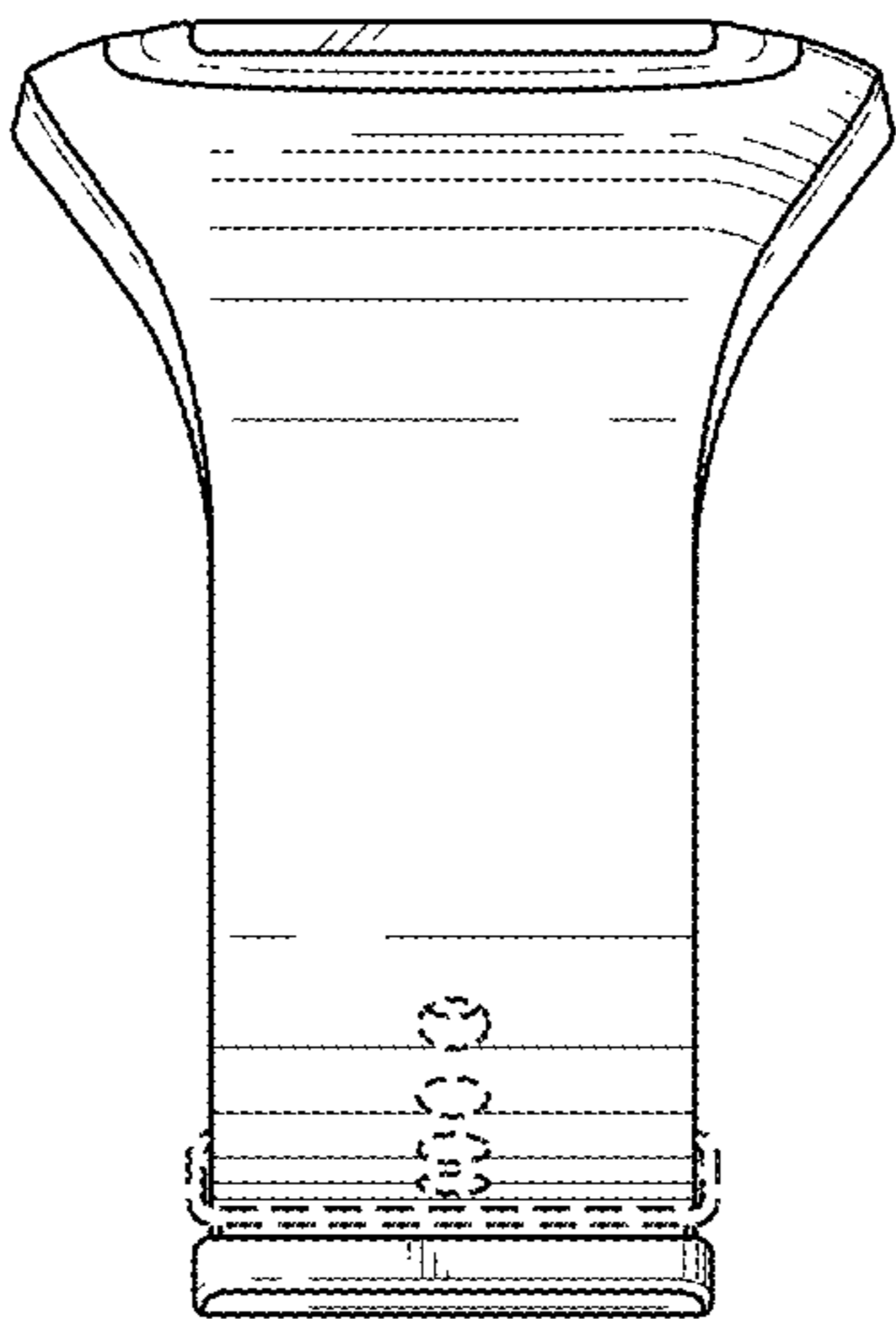


Fig. 8