



US00D780600S

(12) **United States Design Patent** (10) **Patent No.:** **US D780,600 S**  
**Stuart et al.** (45) **Date of Patent:** **\*\* Mar. 7, 2017**

(54) **STORAGE CONTAINER**

B65D 88/08; B65D 90/024; B65D 90/08;  
B65G 51/06

See application file for complete search history.

(71) Applicant: **Deflecto, LLC**, Indianapolis, IN (US)

(56) **References Cited**

(72) Inventors: **Christopher Stuart**, Noblesville, IN (US); **James DeChant**, Carmel, IN (US); **Cyril Bennett**, Indianapolis, IN (US); **Patrick Foley**, Fishers, IN (US); **Danielle Rodgers**, Indianapolis, IN (US)

U.S. PATENT DOCUMENTS

2,285,270 A \* 6/1942 Gelow ..... A47F 7/17  
206/402  
D160,876 S \* 11/1950 Mesi ..... D7/596  
4,219,290 A \* 8/1980 Golston ..... B65G 51/06  
406/186  
D370,411 S \* 6/1996 Vernon, IV ..... D9/436  
(Continued)

(73) Assignee: **Deflecto, LLP**, Indianapolis, IN (US)

OTHER PUBLICATIONS

(\*\*) Term: **15 Years**

Ribbon Storage, available Jul. 18, 2011, [online], [site visited Oct. 29, 2015]. Available from internet, <URL: <http://shannonjaredwight.blogspot.com/2011/07/ribbon-storage.html>.\*

(21) Appl. No.: **29/553,246**

(Continued)

(22) Filed: **Jan. 29, 2016**

*Primary Examiner* — Cathron Brooks  
*Assistant Examiner* — Teddy Falloway

**Related U.S. Application Data**

(62) Division of application No. 29/502,205, filed on Sep. 12, 2014, now Pat. No. Des. 751,817.

(74) *Attorney, Agent, or Firm* — Dentons US LLP; Brian R. McGinley

(51) **LOC (10) Cl.** ..... **09-01**

(57) **CLAIM**

The ornamental design for a storage container, as shown and described.

(52) **U.S. Cl.**

USPC ..... **D9/743**; D3/302

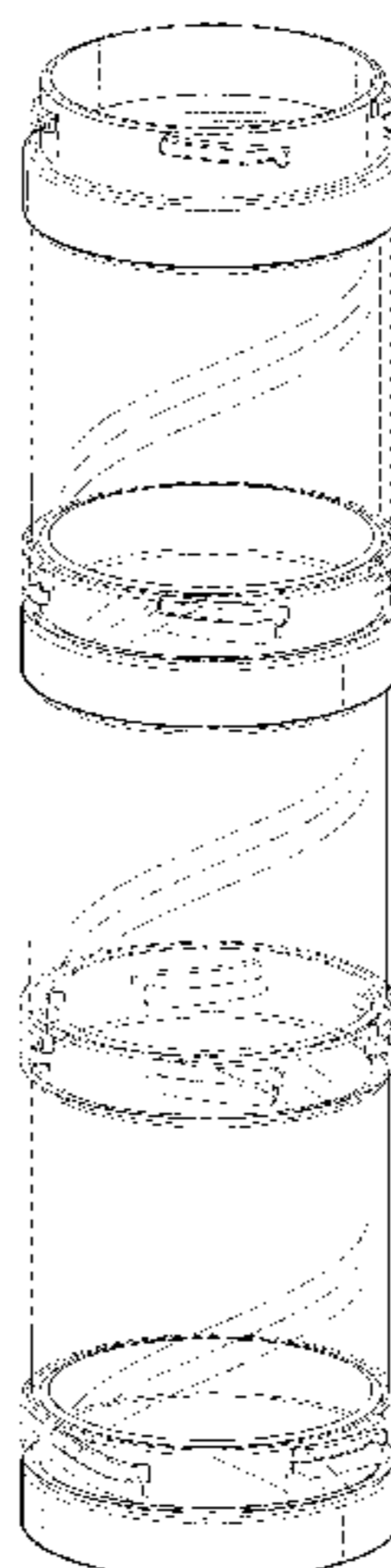
**DESCRIPTION**

(58) **Field of Classification Search**

USPC ..... D9/715, 718, 719, 737, 738, 739, 741, D9/772, 779, 780, 516, 529, 537, 539, D9/544, 545, 549, 550, 558, 434-436, D9/438, 439, 453, 456, 454, 500-505; D3/201, 272-274, 302; D7/509, 511, D7/538-542, 555, 601, 602, 612, 619.1; 215/382; 141/65; 206/800; D28/83  
CPC ..... A47F 7/17; B65D 21/022; B65D 23/12;

FIG. 1 is a front perspective view of the storage container illustrating the new design and showing the design in an assembled and closed configuration with multiple compartments;  
FIG. 2 is a front elevational view thereof, the rear being the same; and,  
FIG. 3 is a left side elevational view thereof, the right side being the same.  
Applicant reserves the right to claim any part, portion, element or combination of the disclosed designs, including

(Continued)



to replace any solid line with broken line or vice versa, and to disclaim any part, portion, element or combination of the disclosed designs.

**1 Claim, 3 Drawing Sheets**

	D741,181	S	*	10/2015	Bar-Tal .....	D9/449
	D741,717	S	*	10/2015	Bar-Tal .....	D9/550
	2004/0238536	A1	*	12/2004	Volkman .....	B65D 88/005
						220/4.26
	2010/0181275	A1	*	7/2010	Gruenwald .....	B65D 23/12
						215/6
	2014/0069917	A1	*	3/2014	Meyers .....	B65D 21/022
						220/23.88

(56)

**References Cited**

U.S. PATENT DOCUMENTS

D408,632	S	*	4/1999	Najmi .....	D3/273
D525,786	S	*	8/2006	Orlando .....	D3/254
D536,963	S	*	2/2007	Blasko .....	D9/503
D548,973	S	*	8/2007	Dawson .....	D3/272
D558,451	S	*	1/2008	Roesler .....	D3/282
D583,506	S	*	12/2008	Justice .....	D28/86
D654,374	S	*	2/2012	Lauder .....	D9/715
D698,266	S	*	1/2014	Downs .....	D9/524
D703,052	S	*	4/2014	Park .....	D9/503
D717,654	S	*	11/2014	Aular .....	D9/504
D722,113	S	*	2/2015	Knight .....	D20/8
D740,029	S	*	10/2015	Otto .....	D3/302

OTHER PUBLICATIONS

DIY Ribbon Organizer, available Mar. 10, 2014, [online], [site visited Oct. 29, 2015]. Available from internet, <URL: <http://ribbons.com/diy-ribbon-organizers/>.\*

Stacked-up Storage Cylinder (Muji Madness), available Oct. 23, 2010, [online], [site visited Oct. 29, 2015]. Available from internet, <URL: <https://thelippie.wordpress.com/2010/10/23/muji-madness/>.\*

Stackable Craft Container, available Sep. 30, 2010, [online], [site visited Oct. 29, 2015]. Available from internet, <URL: <http://www.amazon.com/Storage-Stackable-Containers-Crafts-Findings/dp/B001AS6OLK>.\*

\* cited by examiner

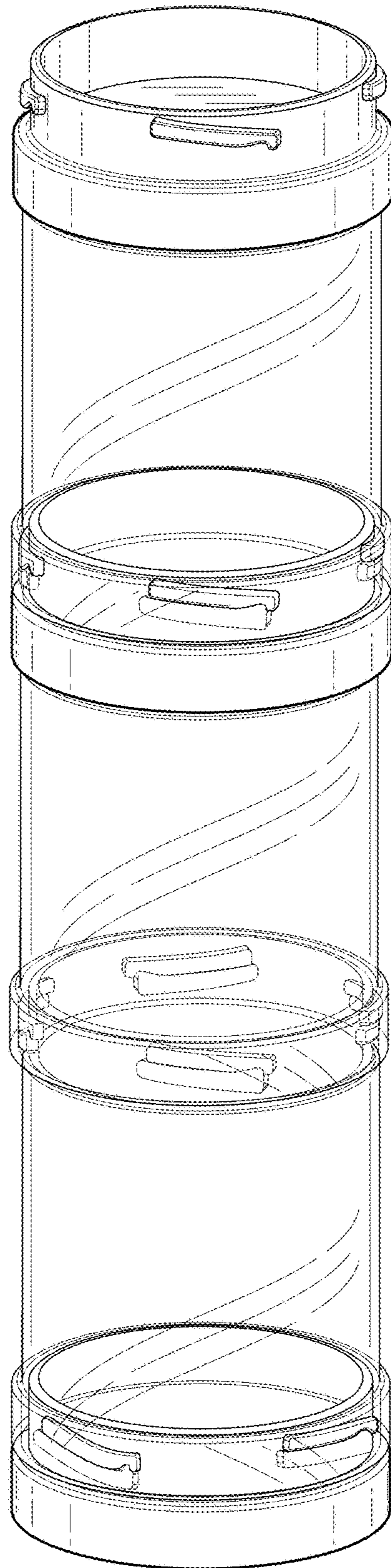


FIG. 1

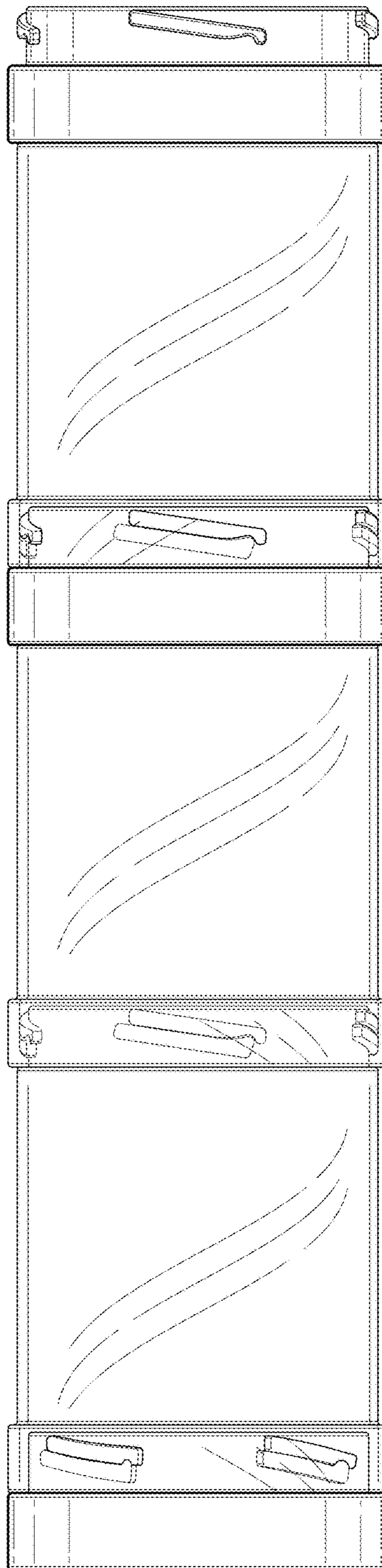


FIG. 2

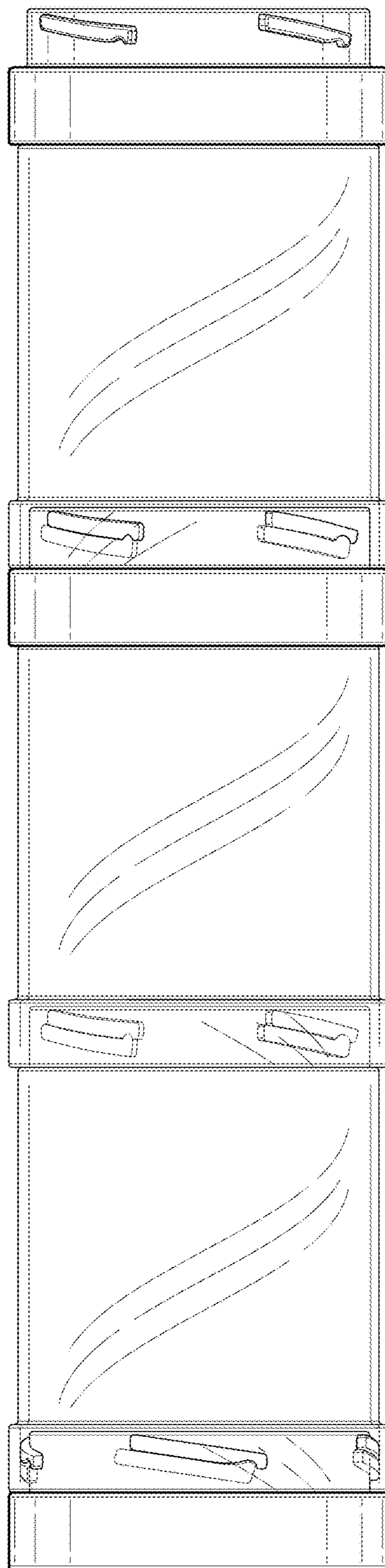


FIG. 3