



US00D780599S

(12) **United States Design Patent**
Tilahun et al.

(10) **Patent No.:** **US D780,599 S**
(45) **Date of Patent:** **** Mar. 7, 2017**

(54) **PACKAGE**

- (71) Applicant: **Kraft Foods Group Brands LLC**, Northfield, IL (US)
- (72) Inventors: **Muluken Tilahun**, Waunakee, WI (US); **Daniel Doucette**, DeForest, WI (US); **Daniel R. Feldmeier**, Waunakee, WI (US); **Paris Alexander Edwards Lowitz**, Chicago, IL (US); **Stacy Alycia Thomas Castro**, Chicago, IL (US)
- (73) Assignee: **Kraft Foods Group Brands LLC**, Chicago, IL (US)

(**) Term: **14 Years**

(21) Appl. No.: **29/501,206**

(22) Filed: **Sep. 2, 2014**

Related U.S. Application Data

(62) Division of application No. 29/440,709, filed on Dec. 26, 2012, now Pat. No. Des. 714,660.

(51) **LOC (10) Cl.** **09-03**

(52) **U.S. Cl.**
USPC **D9/737**

(58) **Field of Classification Search**
USPC D9/737, 761, 414, 415, 424, 425, D9/430-432, 427; 426/108, 110, 119,
(Continued)

(56) **References Cited**

U.S. PATENT DOCUMENTS

- 4,653,685 A * 3/1987 Leary B65D 1/36 220/4.21
 - D293,767 S * 1/1988 Powers D7/553.3
- (Continued)

Primary Examiner — Mark Goodwin

(74) *Attorney, Agent, or Firm* — Fitch, Even, Tabin & Flannery LLP

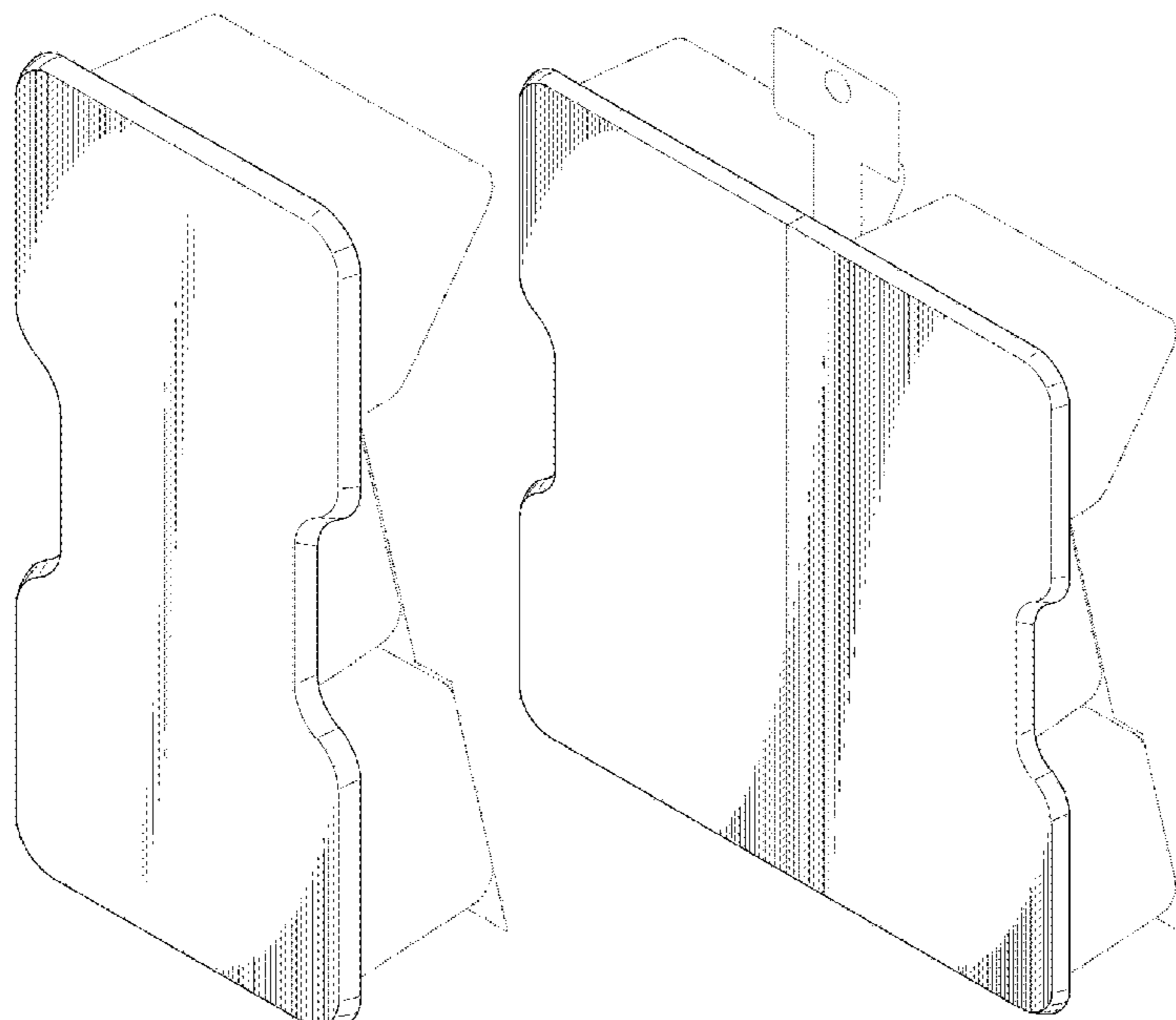
(57) **CLAIM**

The ornamental design for a package, as shown and described.

DESCRIPTION

FIG. 1 is a perspective view of a first embodiment of a package showing our new design;
 FIG. 2 is a front elevation view of the first embodiment;
 FIG. 3 is a rear elevation view of the first embodiment;
 FIG. 4 is a right side elevation view of the first embodiment;
 FIG. 5 is a left side elevation view of the first embodiment;
 FIG. 6 is a top plan view of the first embodiment;
 FIG. 7 is a bottom plan view of the first embodiment;
 FIG. 8 is a perspective view of a second embodiment of a package showing our new design;
 FIG. 9 is a front elevation view of the second embodiment;
 FIG. 10 is a rear elevation view of the second embodiment;
 FIG. 11 is a right side elevation view of the second embodiment;
 FIG. 12 is a left side elevation view of the second embodiment;
 FIG. 13 is a top plan view of the second embodiment; and,
 FIG. 14 is a bottom plan view of the second embodiment.
 Broken line disclosures in FIGS. 1-14 are for illustrative purposes only and form no part of the claimed design.

1 Claim, 6 Drawing Sheets



(58) **Field of Classification Search**

USPC 426/122; 229/164.1; 206/45.24, 45.23,
206/461, 545; 220/631

See application file for complete search history.

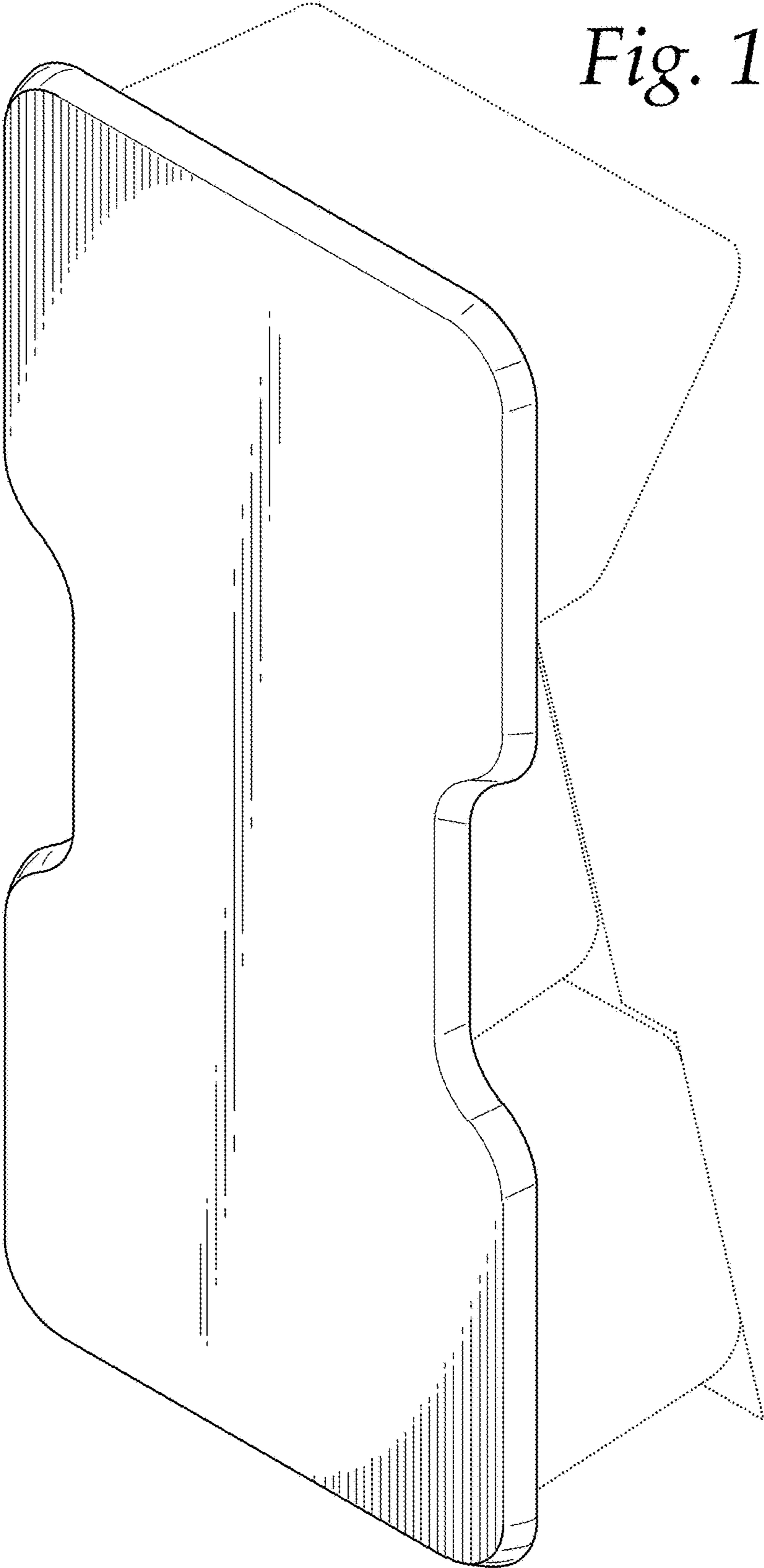
(56) **References Cited**

U.S. PATENT DOCUMENTS

4,930,627 A * 6/1990 Borst B65D 75/366
206/45.23
5,119,940 A * 6/1992 Grindrod B65D 75/54
206/561
D335,821 S * 5/1993 Detert D9/761
D337,048 S * 7/1993 Detert D9/761
D337,268 S * 7/1993 Detert D9/761
D381,264 S * 7/1997 Lippincott D9/425
5,695,798 A * 12/1997 Rozzano B65D 21/0233
206/518
5,743,402 A * 4/1998 Gics B65D 77/0433
206/459.5
D395,392 S * 6/1998 Lahm D9/425
D408,280 S * 4/1999 Manley D9/415
D416,483 S * 11/1999 Manley D9/415
D420,283 S * 2/2000 Reichel D9/759
6,261,616 B1 * 7/2001 Simpson B65D 1/34
206/541
D463,977 S * 10/2002 Castellanos D9/425
D474,687 S * 5/2003 Jones D9/761
D492,593 S * 7/2004 Dutton D9/760
D515,880 S * 2/2006 Lerner D7/629
D531,054 S * 10/2006 Sagel D9/424
D562,127 S * 2/2008 Croft D9/415
D579,769 S * 11/2008 Lipinski D9/759
D627,217 S * 11/2010 Marcinkowski D9/415
D642,484 S * 8/2011 Birchmeier D9/425
D642,937 S * 8/2011 Birchmeier D9/425

* cited by examiner

Fig. 1



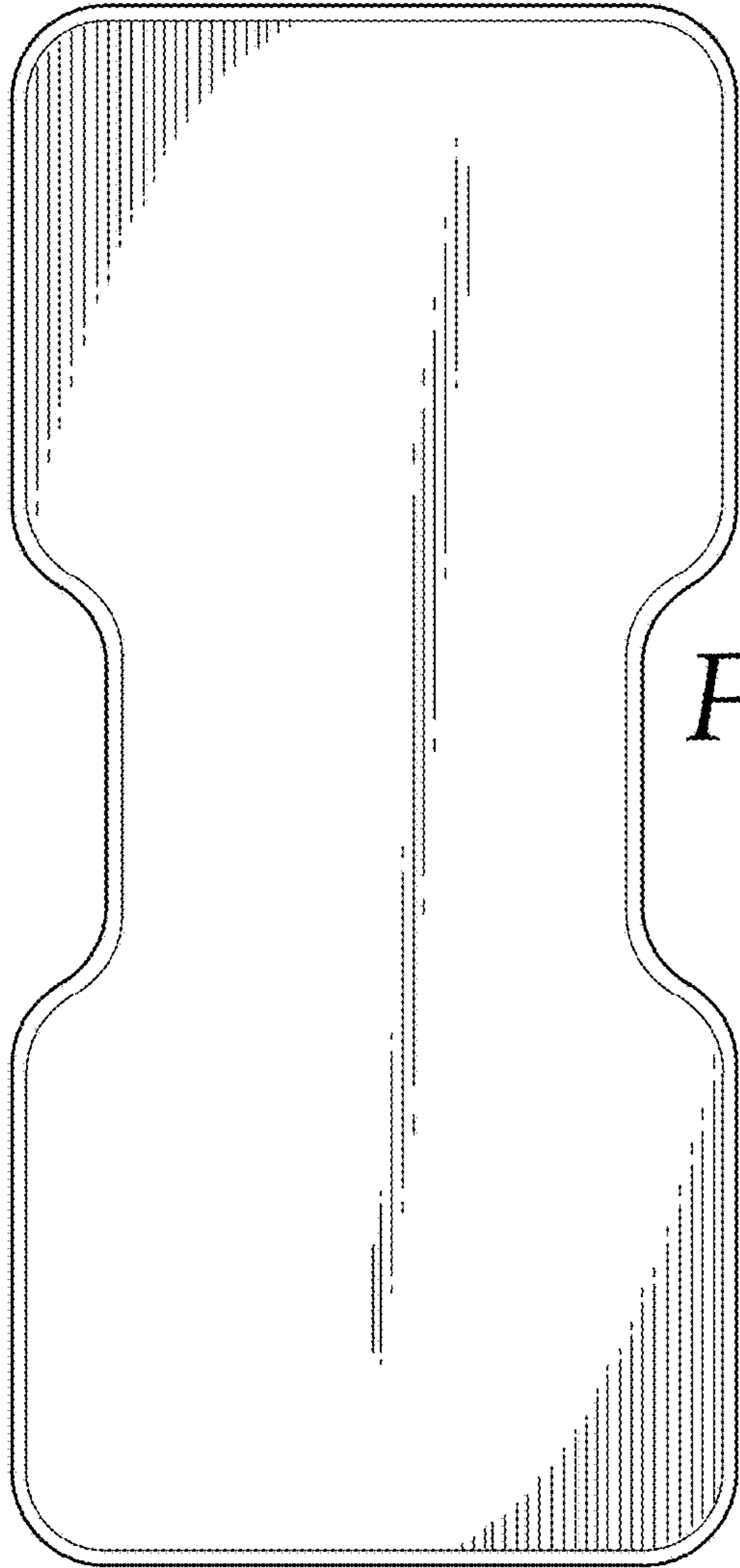


Fig. 2

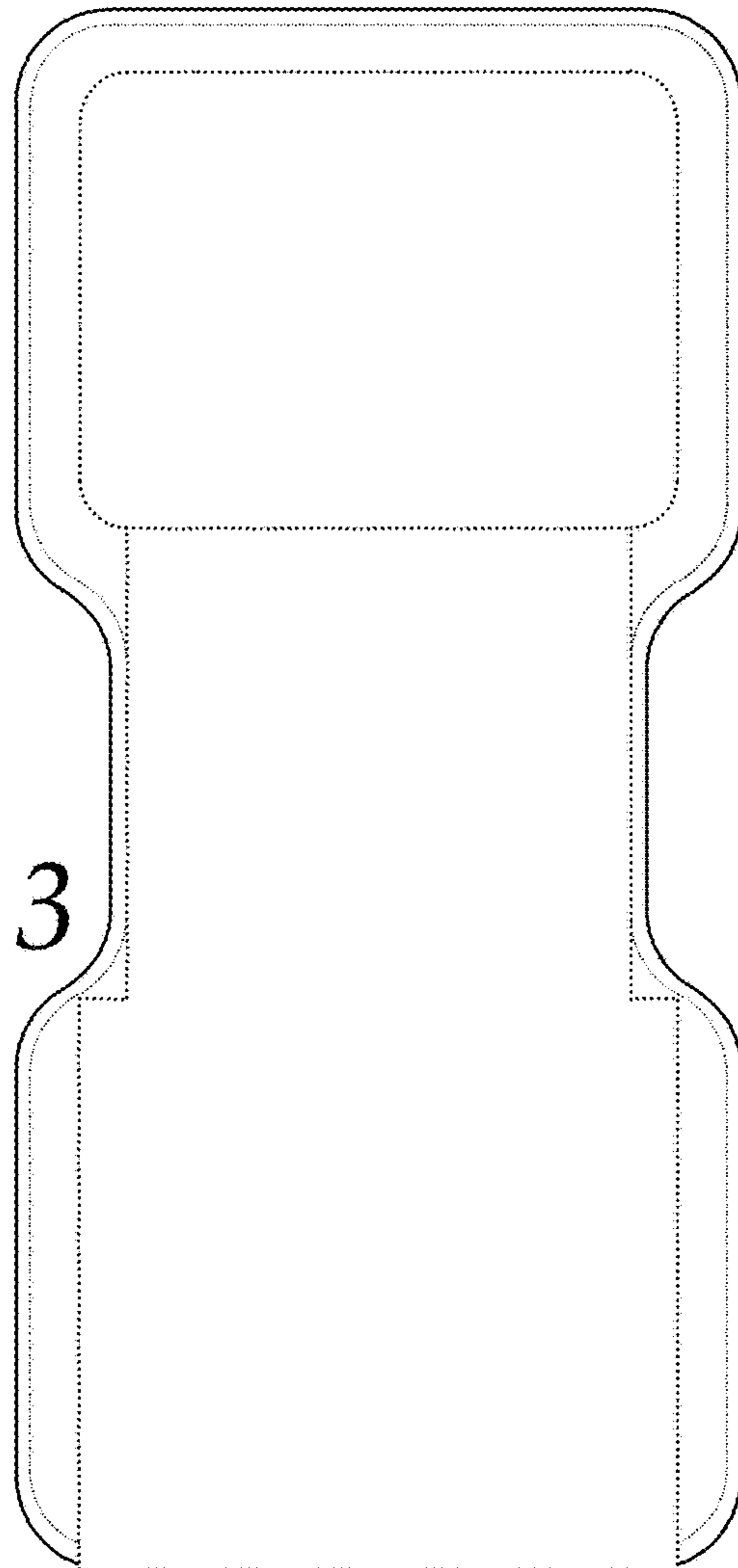


Fig. 3

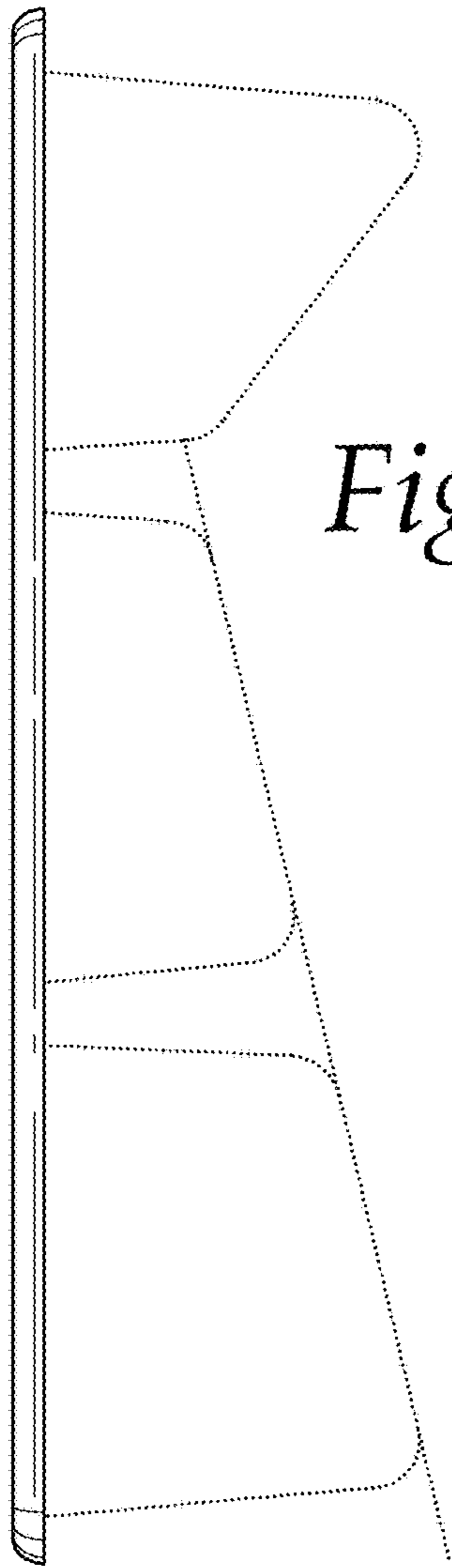


Fig. 4

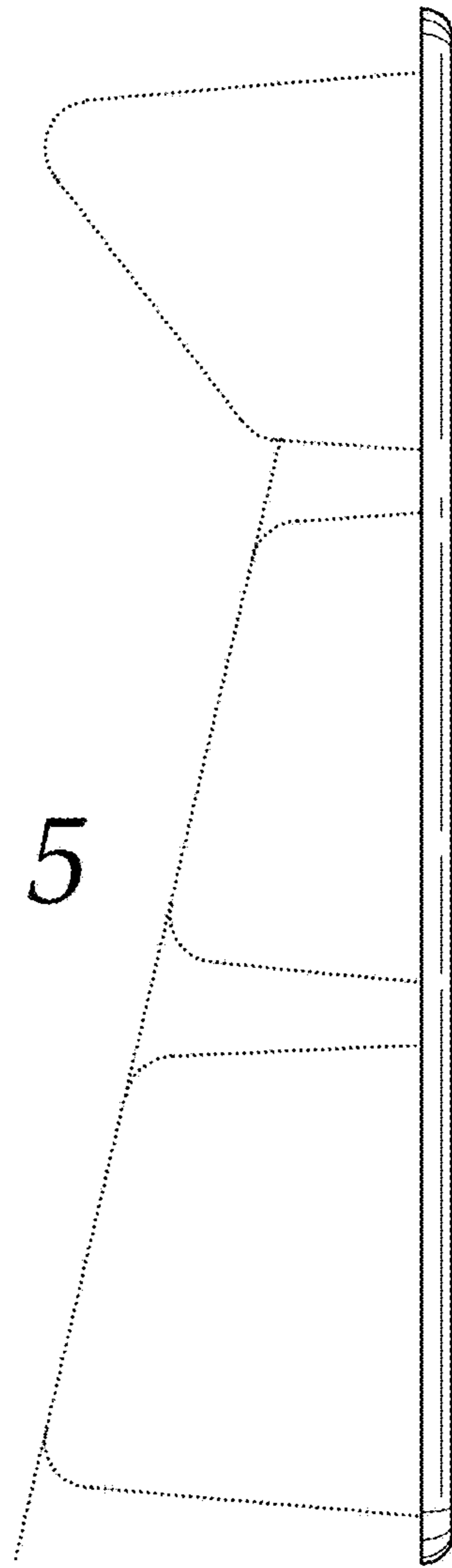


Fig. 5

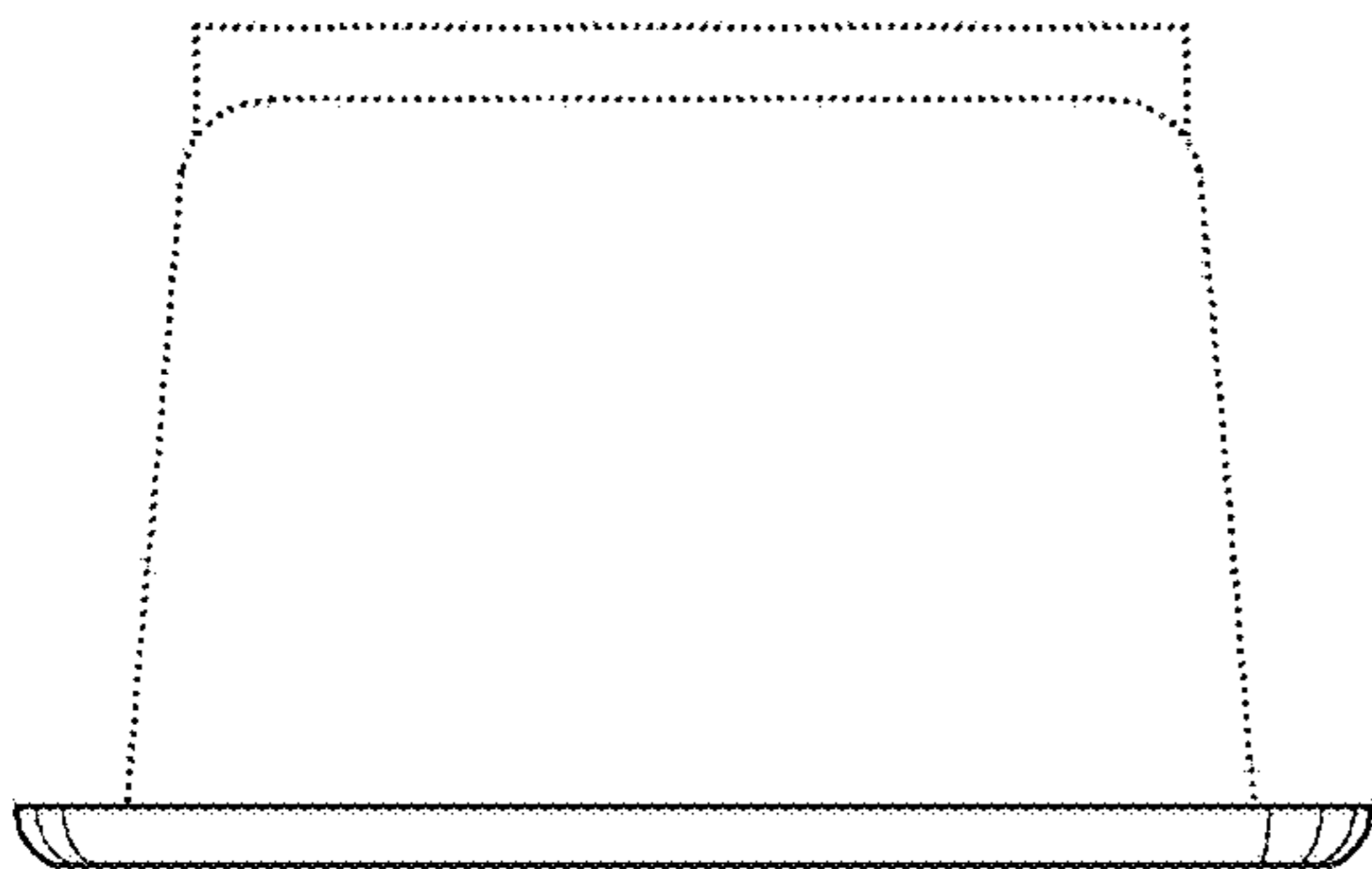


Fig. 6

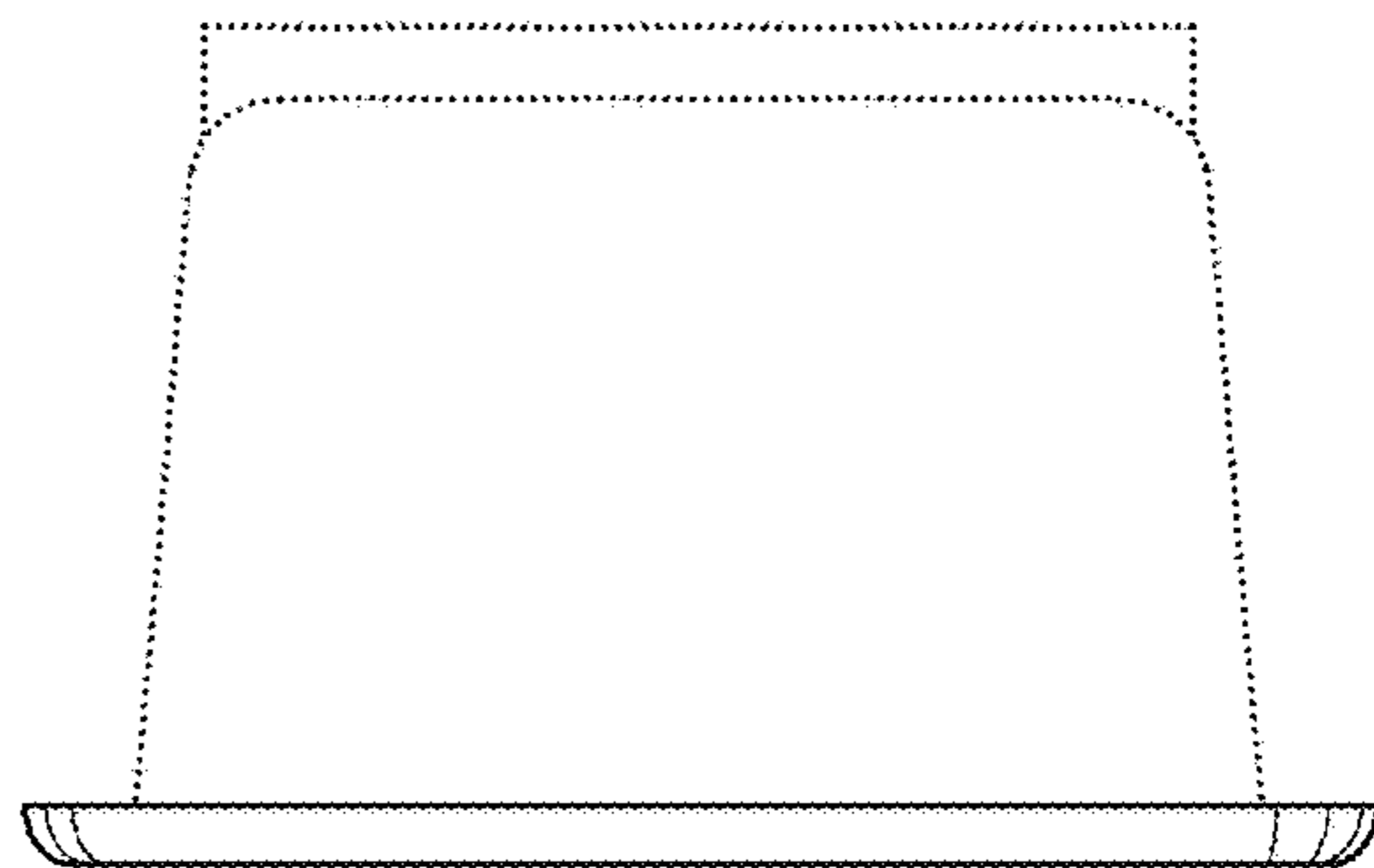


Fig. 7

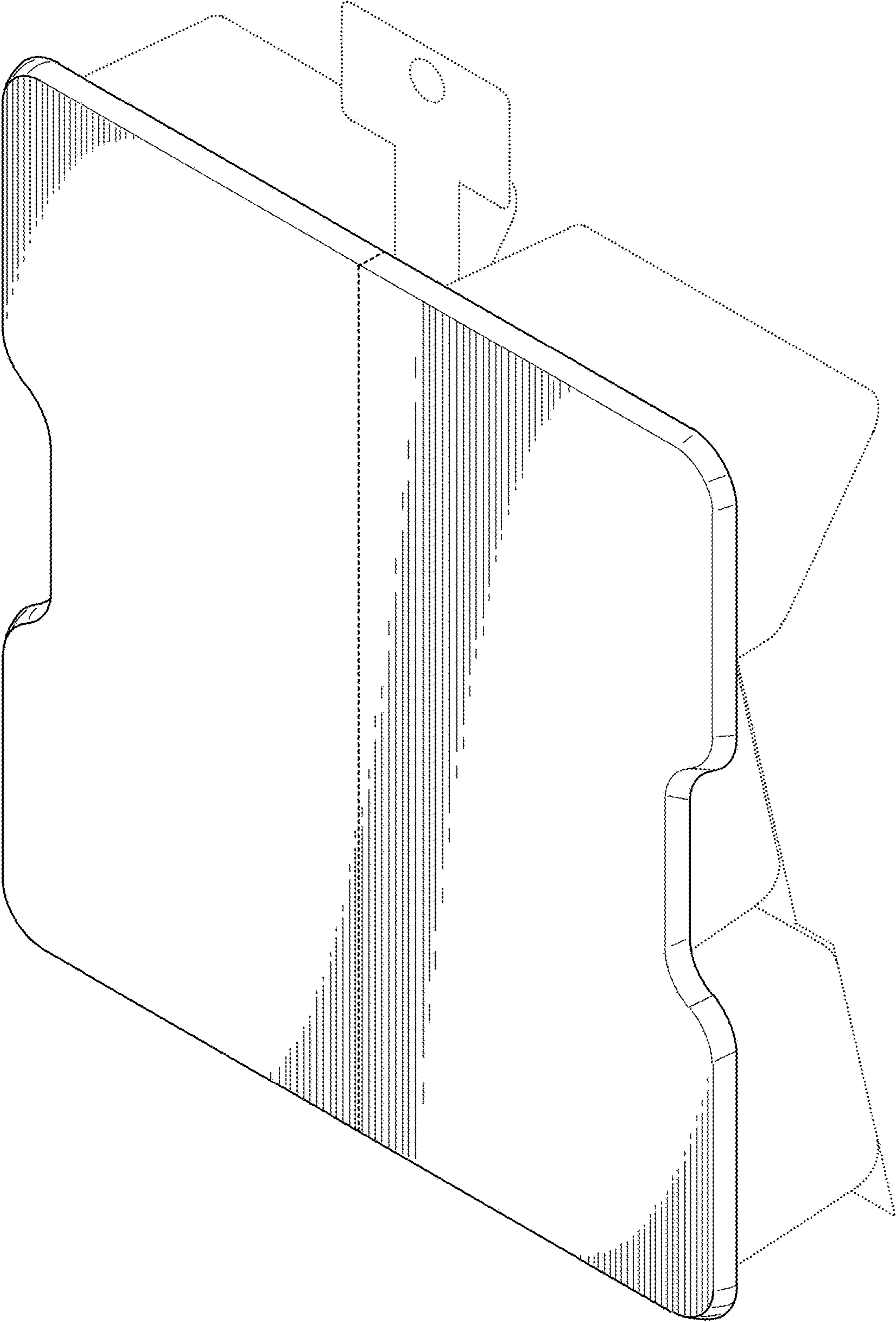


Fig. 8

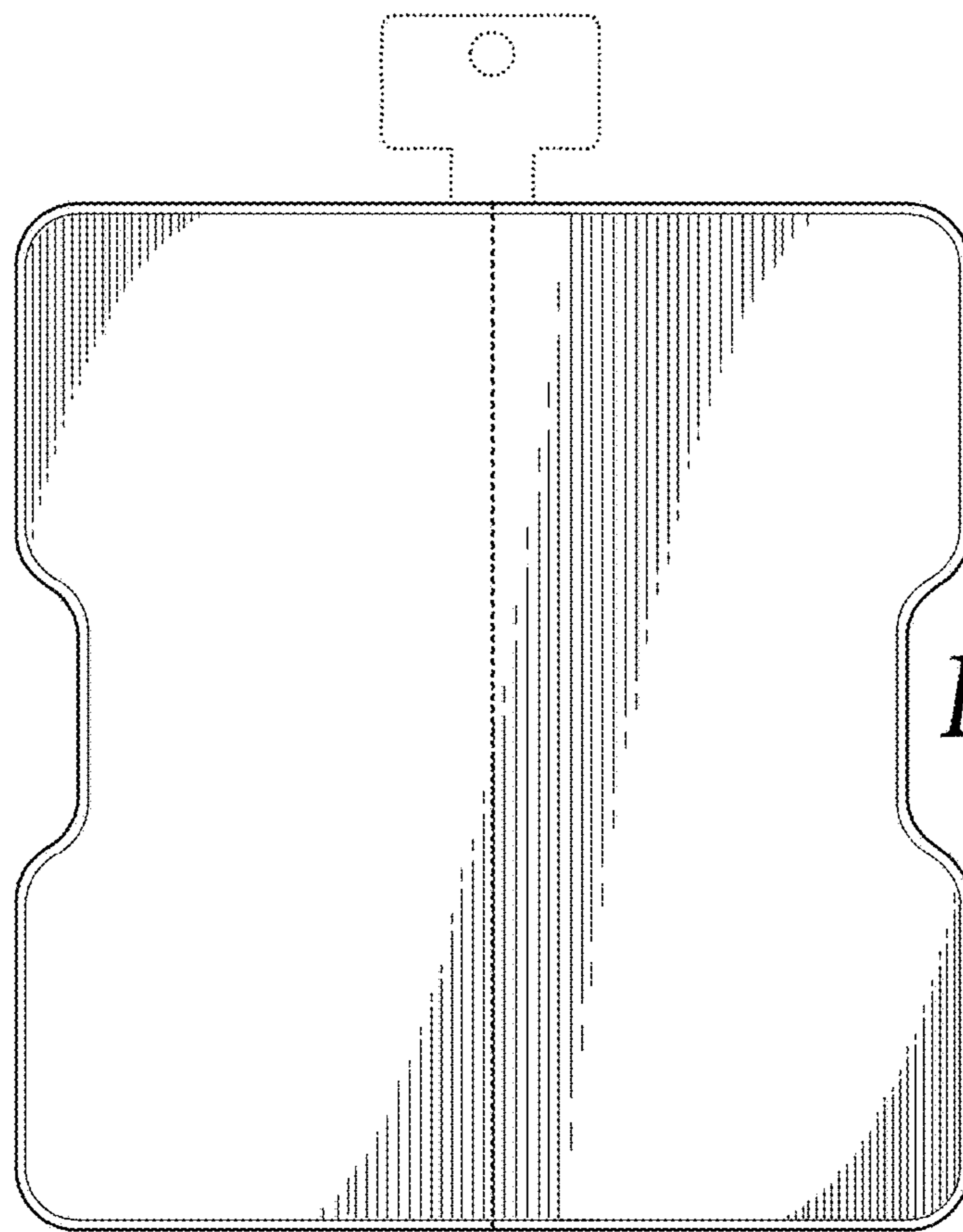


Fig. 9

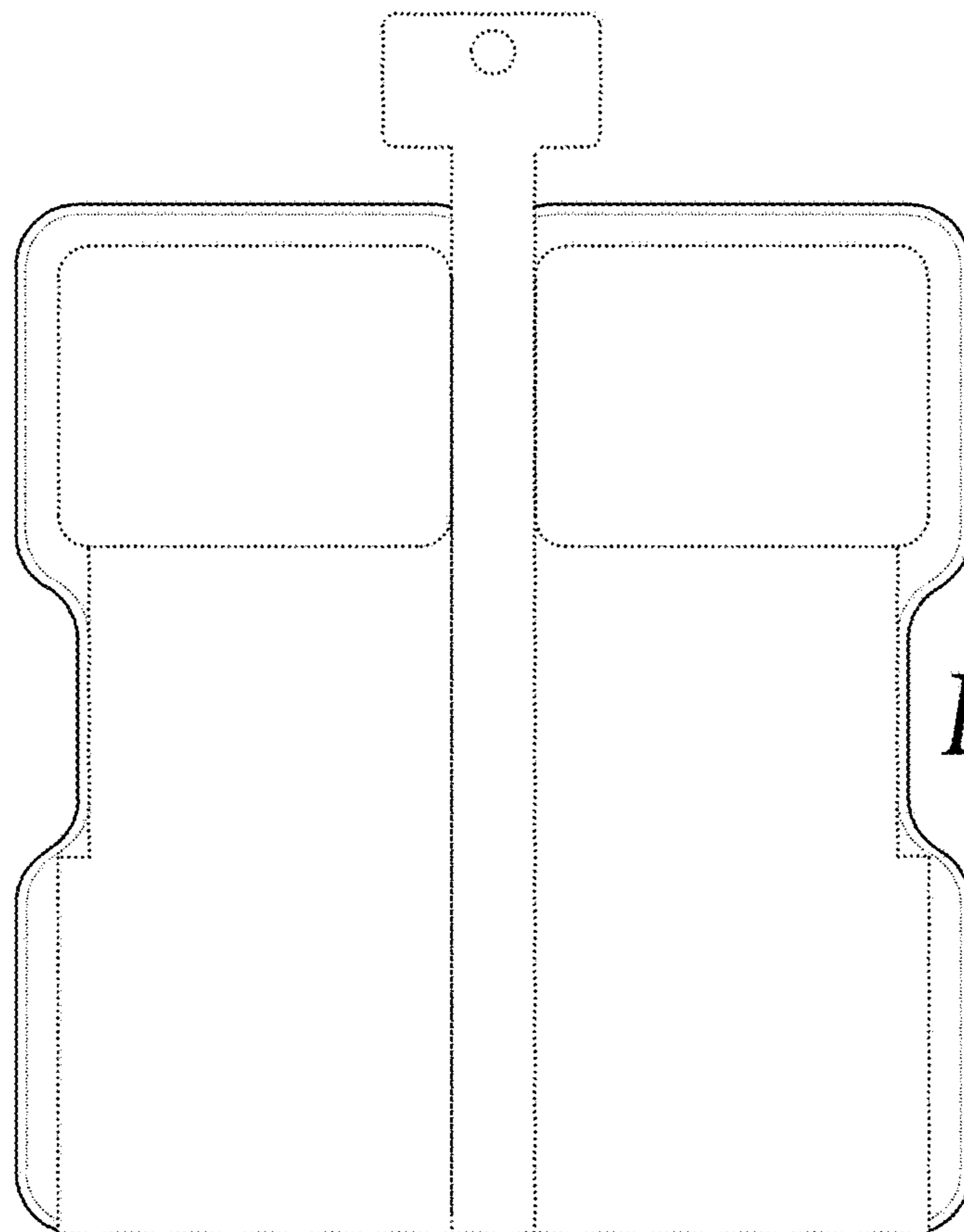


Fig. 10

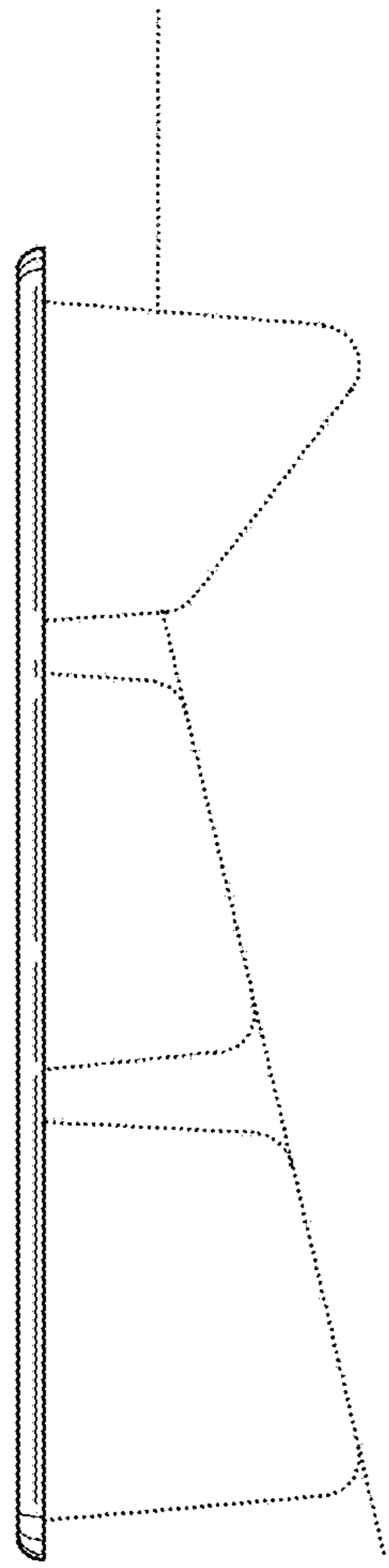


Fig. 11

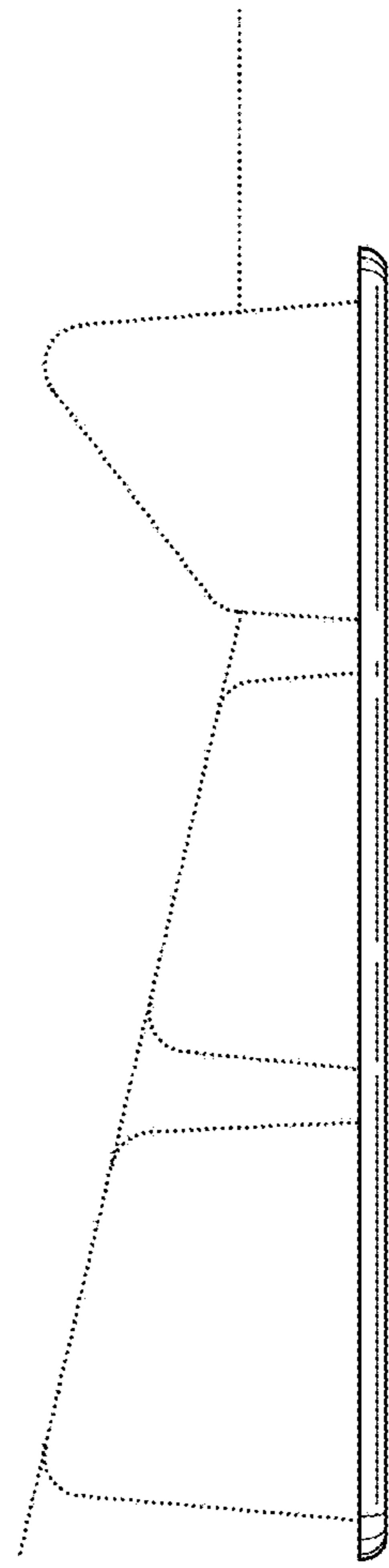


Fig. 12

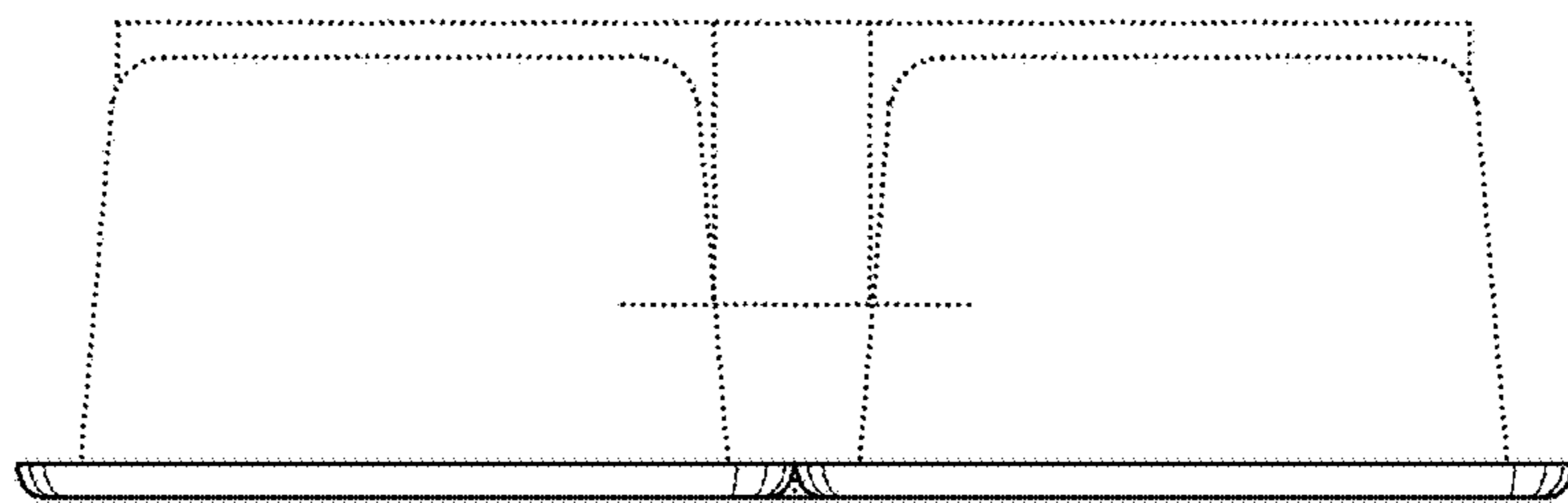


Fig. 13

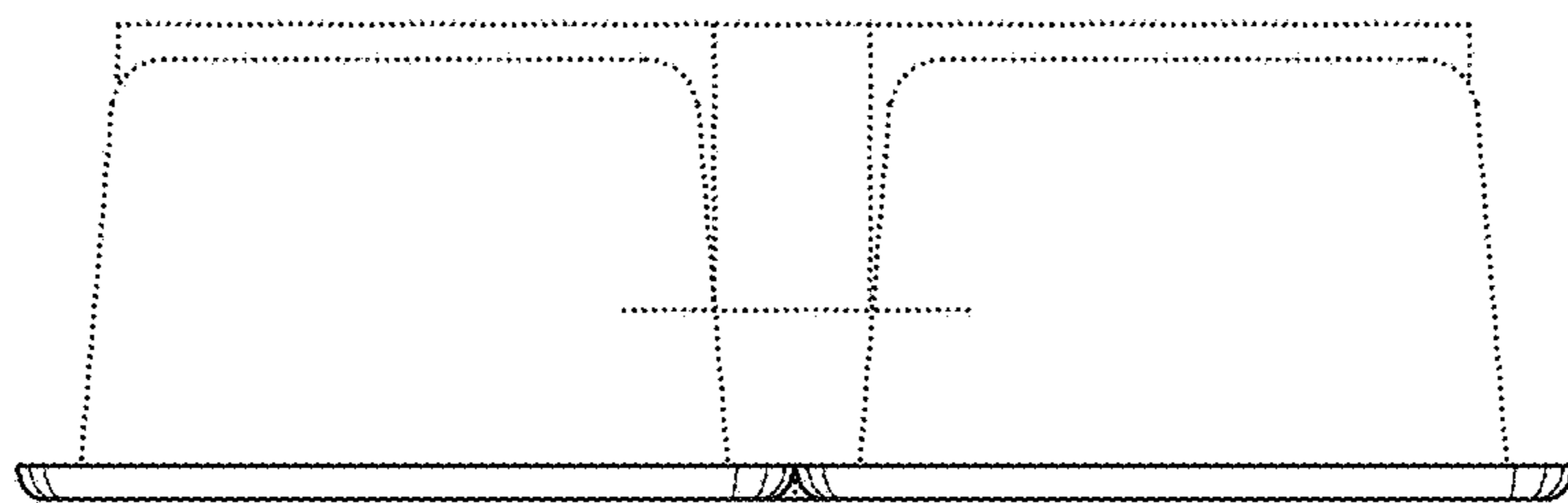


Fig. 14