



US00D780578S

(12) **United States Design Patent** (10) **Patent No.:** **US D780,578 S**
Lane et al. (45) **Date of Patent:** **** *Mar. 7, 2017**

- (54) **LID**
- (71) Applicant: **THERMOS L.L.C.**, Schaumburg, IL (US)
- (72) Inventors: **Marvin Lane**, Wheeling, IL (US);
Dwayne Boroski, Lake in the Hills, IL (US)
- (73) Assignee: **THERMOS L.L.C.**, Schaumburg, IL (US)

- D403,964 S 1/1999 Jansen
- 5,881,868 A 3/1999 Soyak
- D425,618 S 5/2000 Niermann
- 6,119,888 A 9/2000 Goto et al.
- D441,288 S 5/2001 Pillers et al.
- D448,294 S 9/2001 Alscher et al.
- D451,023 S * 11/2001 Kitamura D9/449
- D528,862 S * 9/2006 Li D7/510
- D573,017 S 7/2008 Henderson
- D574,507 S 8/2008 Muir
- D587,581 S 3/2009 DeMarco et al.
- D596,440 S 7/2009 Rothberg
- D596,460 S * 7/2009 Nezu D7/510

(*) Notice: This patent is subject to a terminal disclaimer.

(**) Term: **14 Years**

(21) Appl. No.: **29/499,405**

(22) Filed: **Aug. 14, 2014**

(51) **LOC (10) Cl.** **09-07**

(52) **U.S. Cl.**
USPC **D9/445**; D7/396.2; D9/447

(58) **Field of Classification Search**
USPC D9/435, 436, 440, 443, 445, 446, 447,
D9/448, 450, 452, 453, 454, 499;
D7/392, 392.1, 396.2
CPC B65D 58/32; B65D 47/243; B65D 83/28;
B65D 43/0212; B65D 55/024; B65D
47/0809; B65D 2251/105
See application file for complete search history.

(56) **References Cited**

U.S. PATENT DOCUMENTS

- 982,597 A 1/1911 Habig
- 2,187,558 A 1/1940 Kushima
- 2,746,265 A 5/1956 Mills
- D213,292 S 2/1969 Arsenault et al.
- D246,600 S 12/1977 Kurata
- D281,581 S 12/1985 MacEwen
- D374,399 S * 10/1996 Neveras D9/442

(Continued)

OTHER PUBLICATIONS

Bootic. Thermos. Oct. 29, 2013 [online], [site visited Feb. 5, 2015]. Available from Internet, <URL:http://www.bootic.com/thermos/home-and-garden/kitchen-and-dining/tableware/drinkware/thermos-nissan-16-ounce-stainless-steel-backpack-bottle>.

(Continued)

Primary Examiner — Robert M Spear
(74) *Attorney, Agent, or Firm* — Polsinelli PC

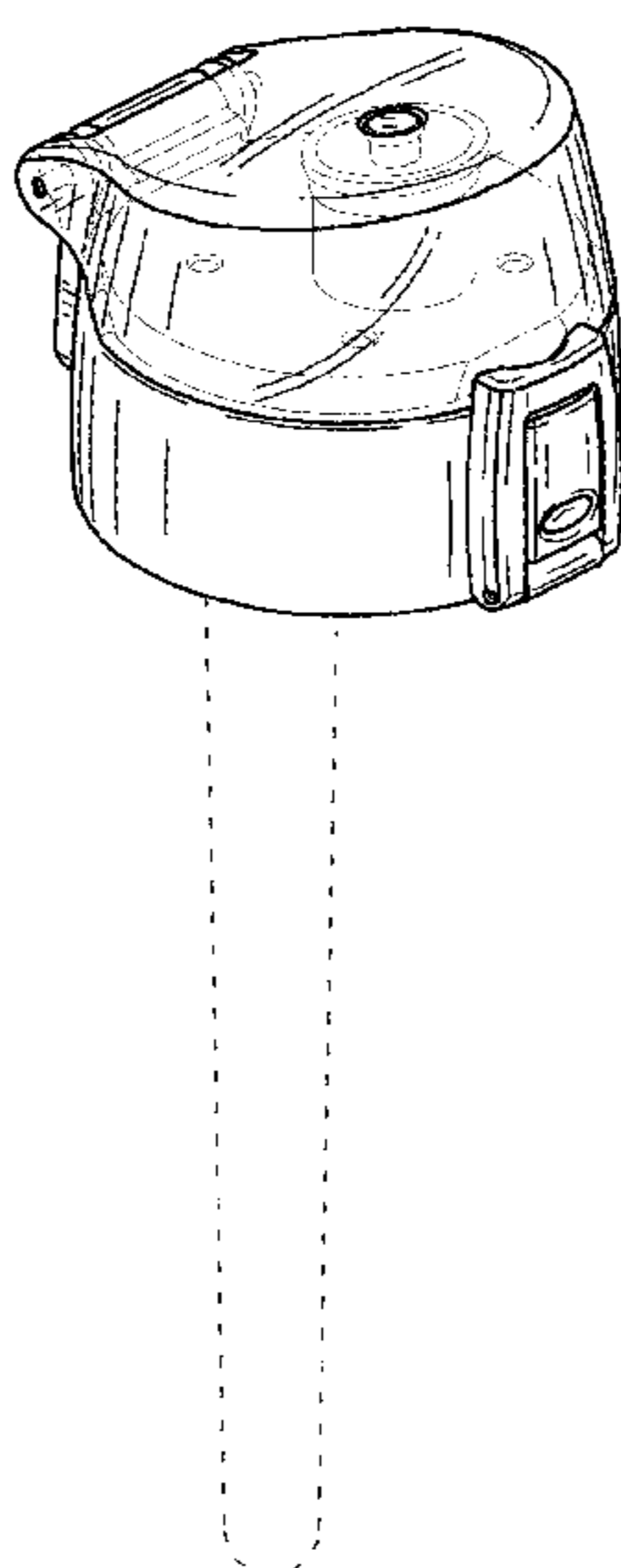
(57) **CLAIM**

The ornamental design for a lid, as shown and described.

DESCRIPTION

FIG. 1 is a perspective view of the lid;
FIG. 2 is a right side view of the lid;
FIG. 3 is a front view of the lid;
FIG. 4 is a left side view of the lid;
FIG. 5 is a rear view of the lid;
FIG. 6 is a top view of the lid; and,
FIG. 7 is a bottom view of the lid.
The broken lines showing in the Figures are included for the purpose of illustrating portions of the lid that form no part of the claimed design.

1 Claim, 4 Drawing Sheets



(56)

References Cited

U.S. PATENT DOCUMENTS

D596,944 S 7/2009 Mueller
 D597,838 S 8/2009 Stuart
 D608,640 S * 1/2010 Carreno D9/449
 D623,473 S 9/2010 Chen
 7,798,373 B1 9/2010 Wroblewski et al.
 D640,505 S 6/2011 George
 D641,591 S 7/2011 Tsukida
 D655,134 S 3/2012 Gilbert
 D655,580 S * 3/2012 Kotani D7/608
 D655,983 S 3/2012 Cozzolino et al.
 D658,443 S 5/2012 Chiu et al.
 D660,081 S 5/2012 Gilbert
 8,172,454 B2 5/2012 Choi
 D666,490 S 9/2012 Leon
 D668,116 S 10/2012 Eyal
 D675,059 S * 1/2013 Carreno D7/392.1
 D675,865 S * 2/2013 Wahl D7/392.1
 D700,513 S 3/2014 Carsrud et al.
 D704,053 S 5/2014 Kim
 D707,557 S 6/2014 Corradini et al.
 D707,558 S 6/2014 Corradini et al.
 D715,143 S 10/2014 Hewitt
 D718,626 S * 12/2014 Lane D9/449
 D720,574 S * 1/2015 Boroski D7/510
 D721,920 S 2/2015 Coon et al.
 D731,240 S 6/2015 Bell
 2004/0123620 A1 7/2004 Porter
 2007/0181585 A1 8/2007 Lane
 2008/0296191 A1 12/2008 Ransch
 2009/0139324 A1 6/2009 Morimoto et al.
 2009/0159552 A1 * 6/2009 Cano-Pey B65D 47/0828
 215/235

2010/0200602 A1 8/2010 Chan
 2011/0108570 A1 5/2011 Jarisch et al.
 2012/0187075 A1 7/2012 El-Saden et al.
 2012/0293332 A1 11/2012 Rosenfeld
 2013/0319966 A1 * 12/2013 Lane B65D 43/26
 215/237
 2015/0225141 A1 * 8/2015 Mackenzie B65D 47/0871
 215/237

OTHER PUBLICATIONS

YouTube. Thermos Nissan 16-Ounce Stainless-Steel Backpack Bottle Review. Feb. 23, 2013 [online], [site visited Feb. 5, 2015]. Available from Internet, <URL:https://www.youtube.com/watch?v=8PnmUihk_uQ>.
 “Thermos Vacuum Insulated 18-Ounce Stainless Steel Hydration Bottle”; found online Aug. 10, 2015 at amazon.com; page dated Sep. 17, 2008; retrieved from http://www.amazon.com/Thermos-Insulated-18-Ounce-Stainless-Steel-Hydration/dp/B000FJ9DOK/ref=cm_cr_pr_product_top?ie=UTF8.
 U.S. Appl. No. 29/536,881_Office_Action_mailed_May 20, 2016 (13 pages).pdf.
 PCT/US14/64374 International Search Report and Written Opinion mailed Mar. 26, 2015 (14 pages).
 “Brian’s Thermos—STL Solidworks—3D CAD model”; found online Aug. 10, 2015 at grabcad.com; page dated Jan. 25, 2012; retrieved from https://grabcad.com/library/brian-s-thermos.
 Thermos Connected Hydration Water Bottle with Smart Lid; www.Target.com; 5 pages; found online May 16, 2016 at http://www.target.com/p/thermos-connected-hydrtion-bottle-with-smart-lid-teal/-/A-24010647.

* cited by examiner

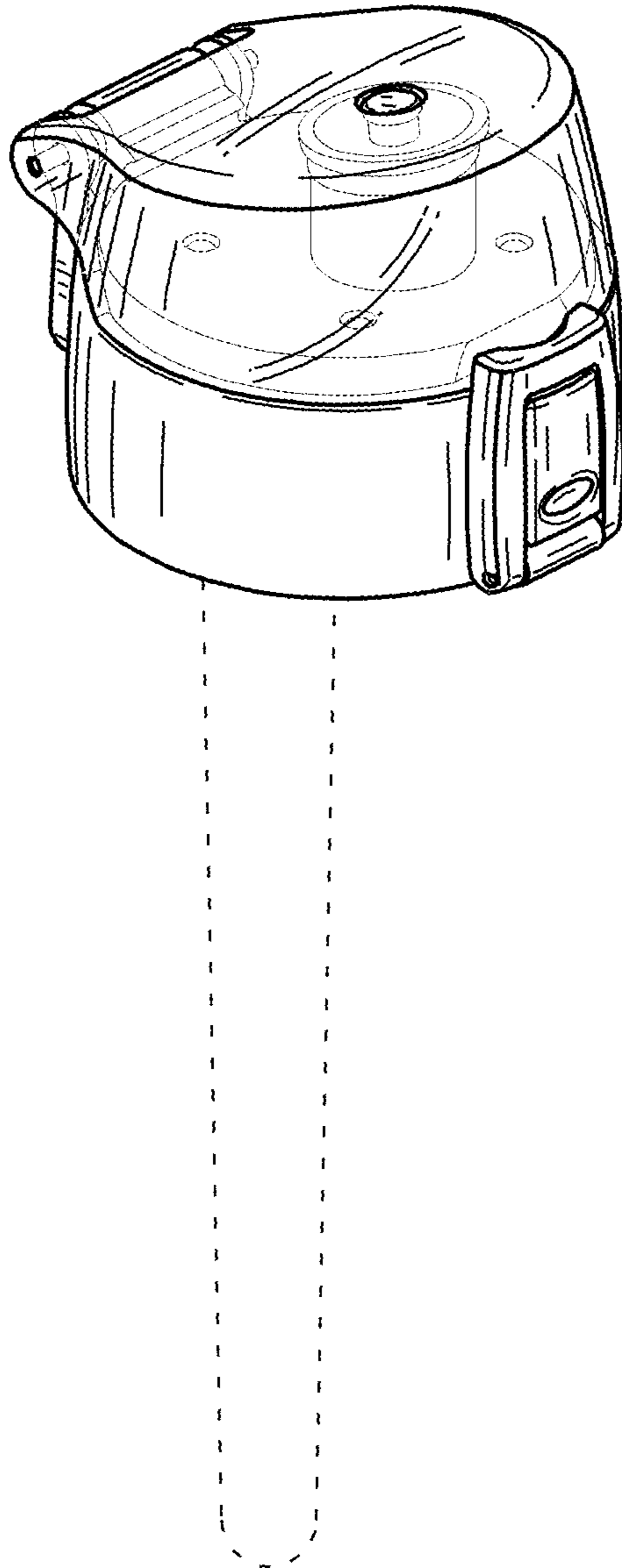


FIG. 1

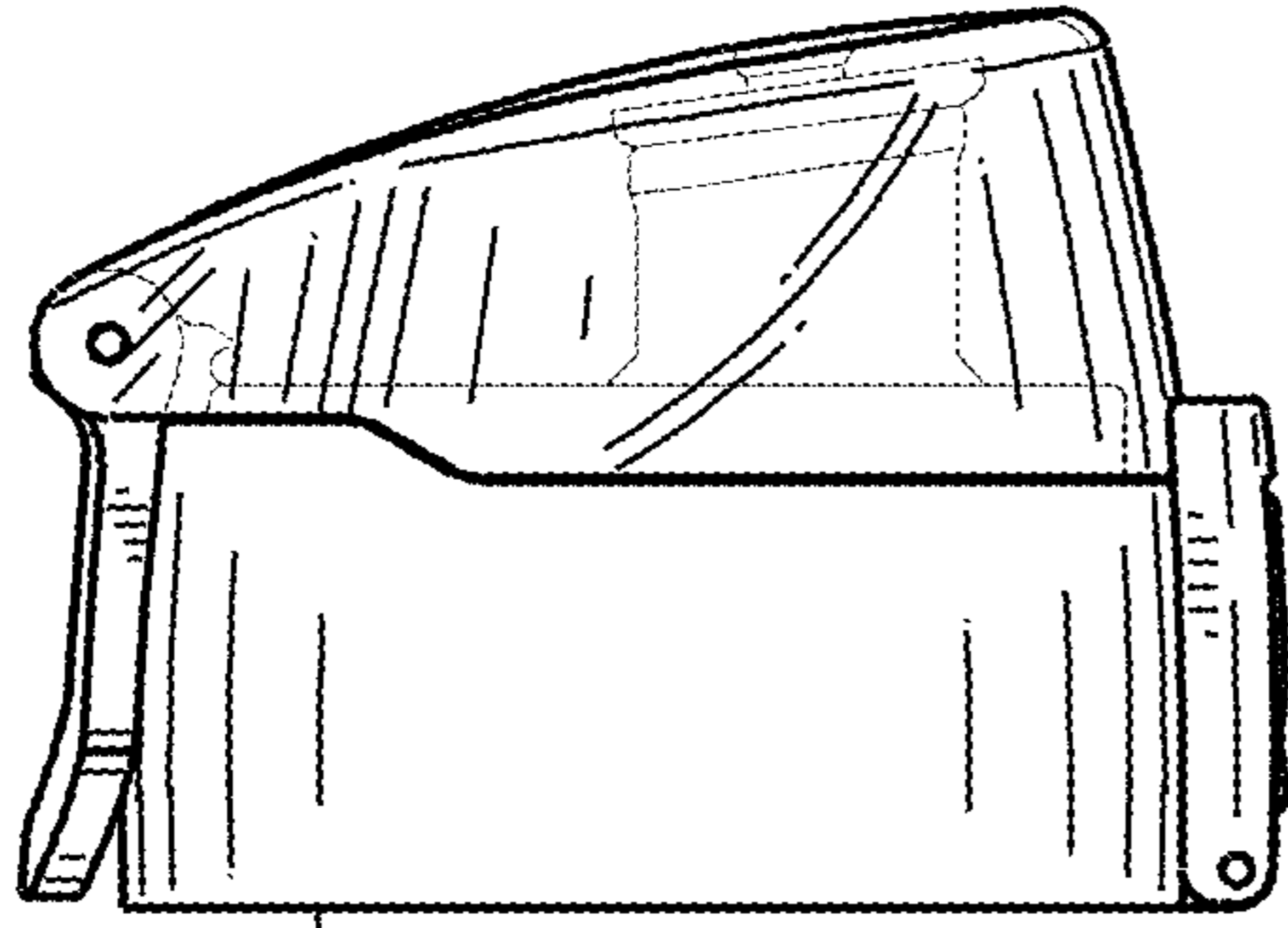


FIG. 2

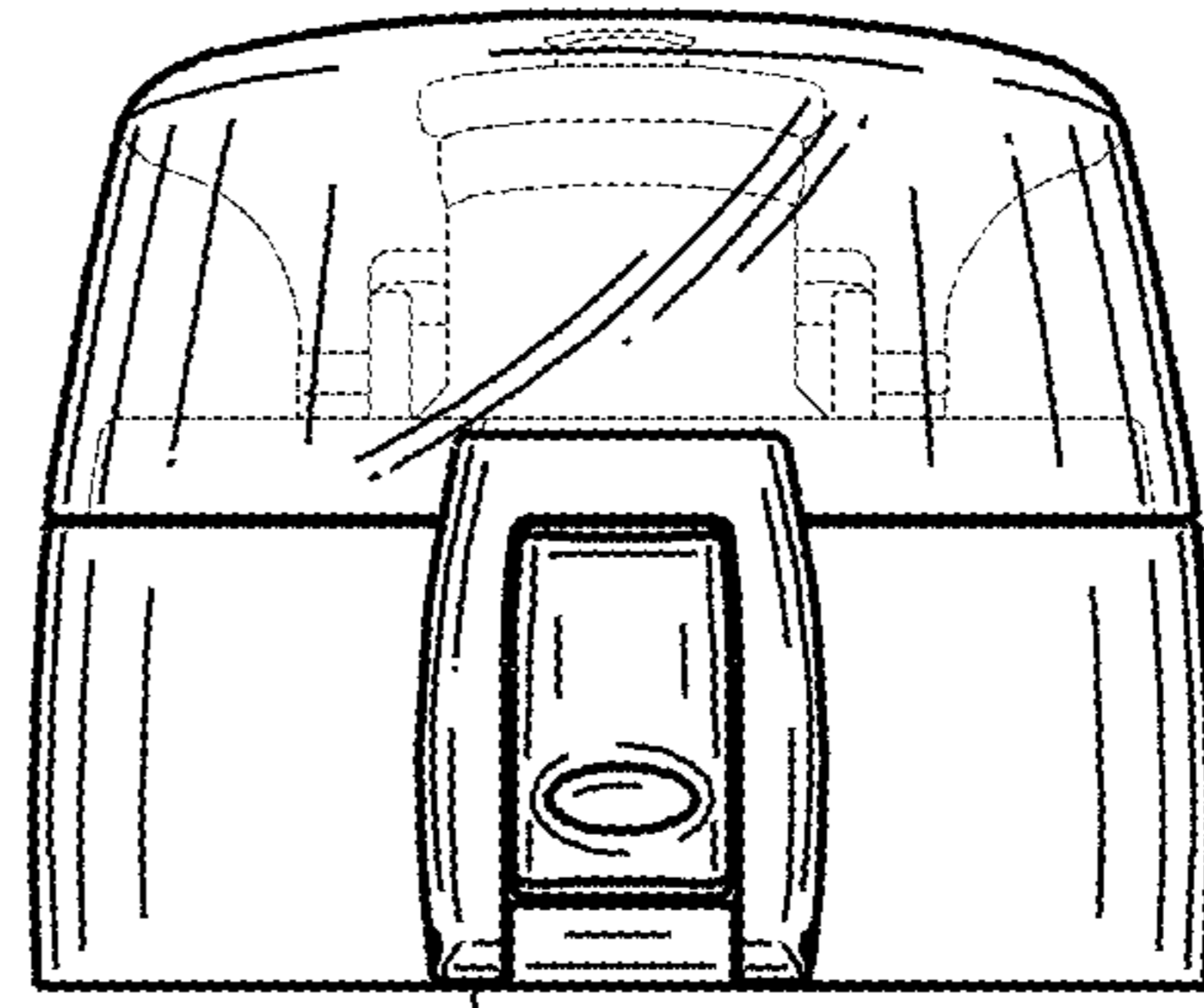


FIG. 3

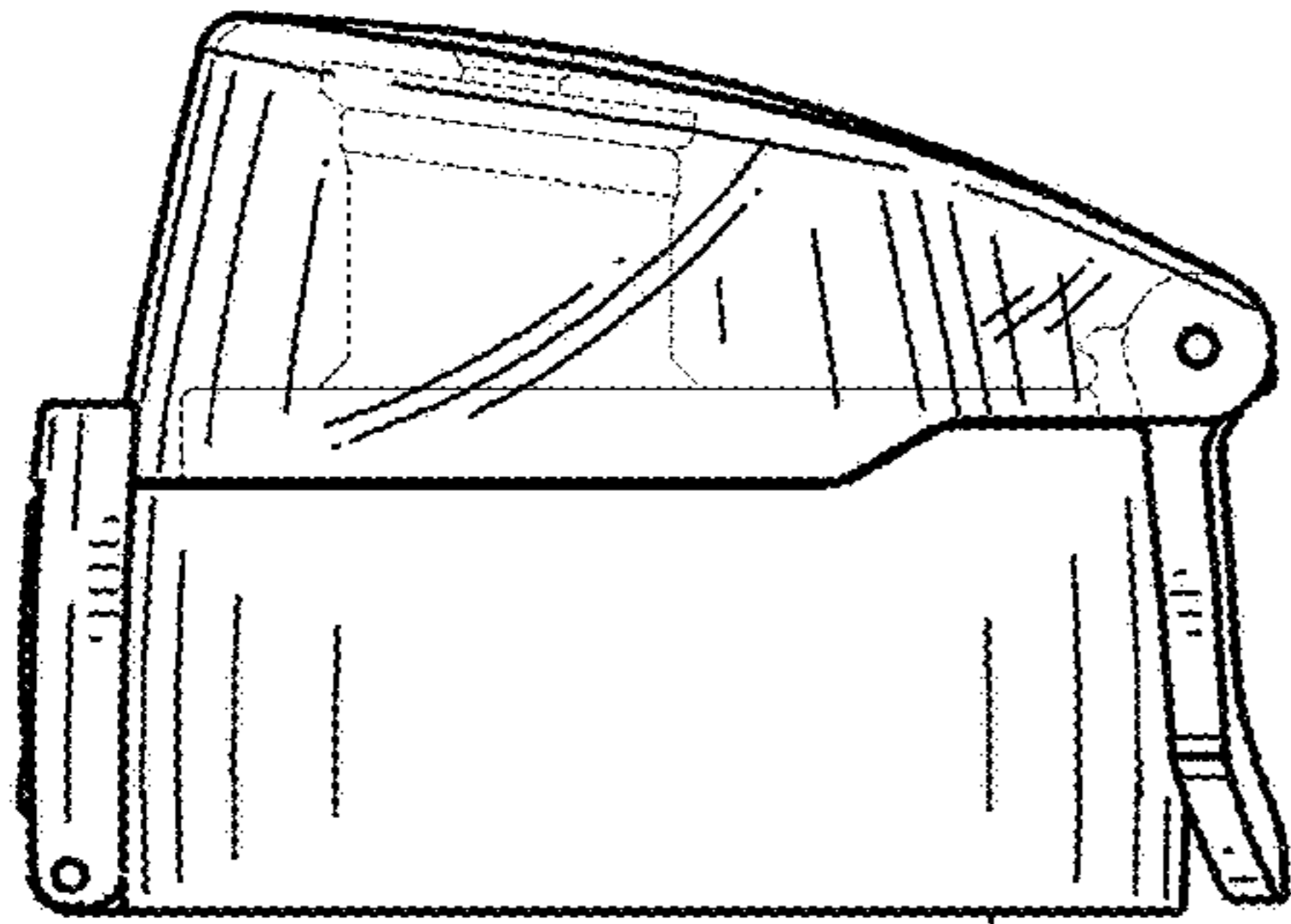


FIG. 4

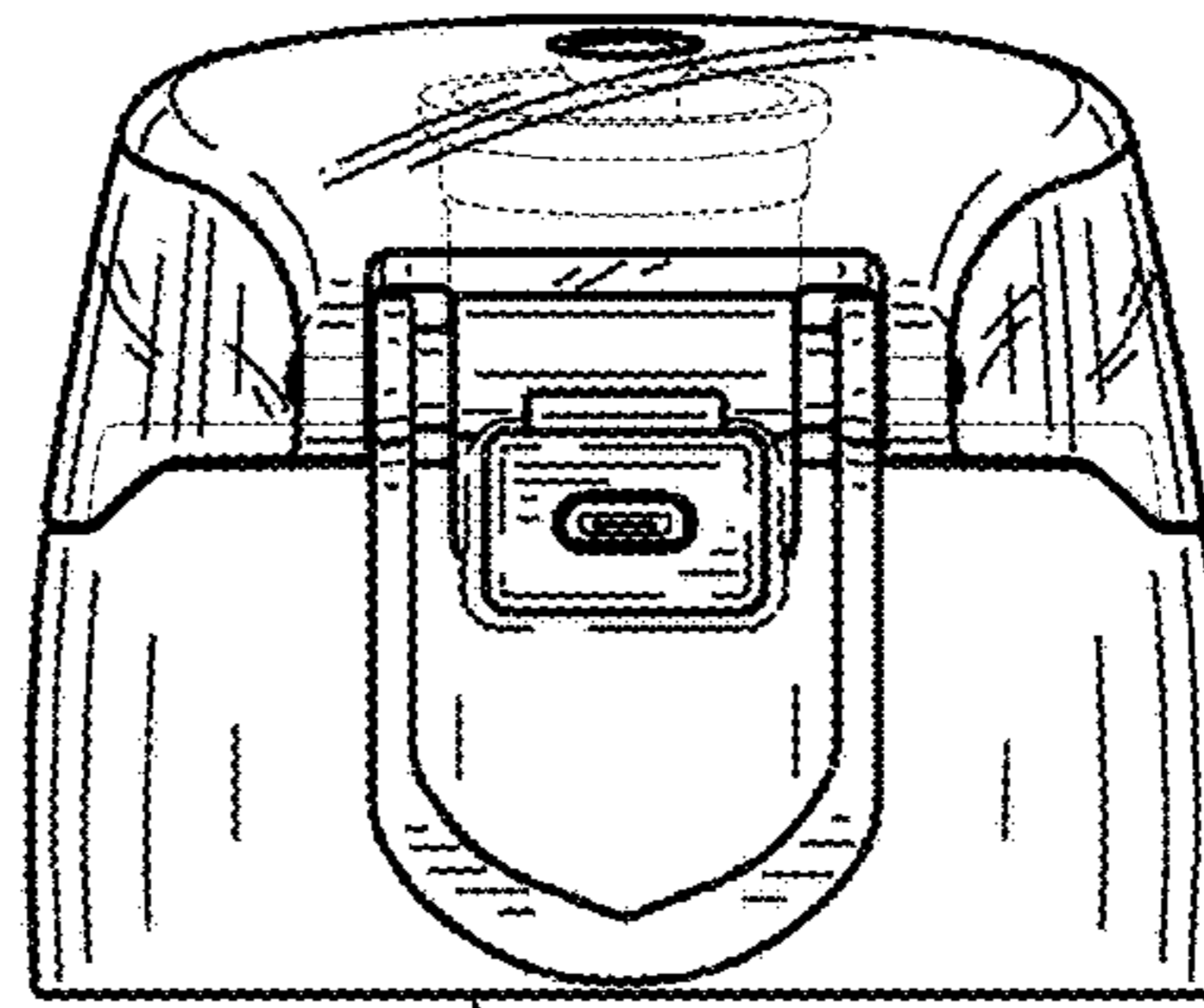


FIG. 5

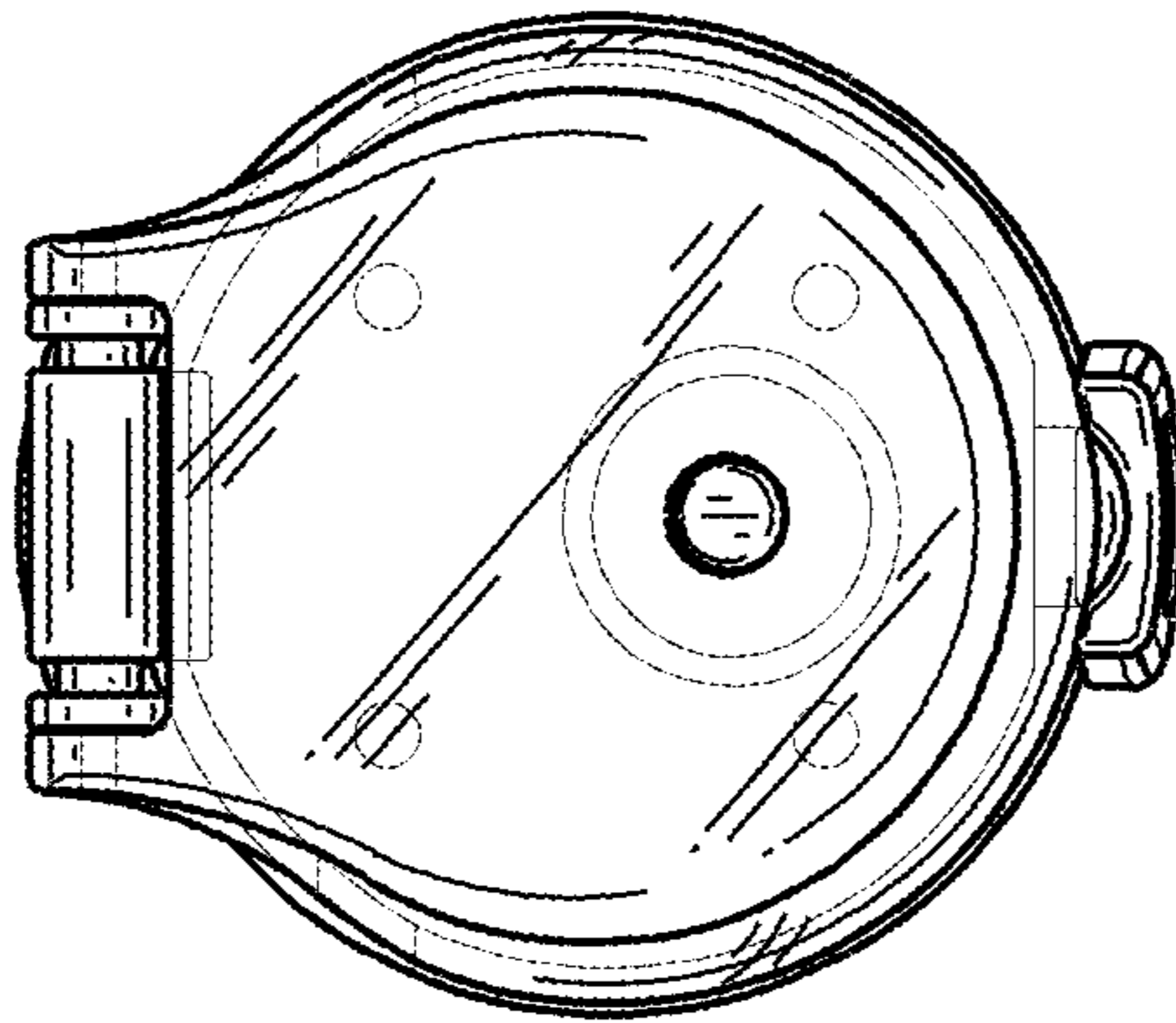


FIG. 6

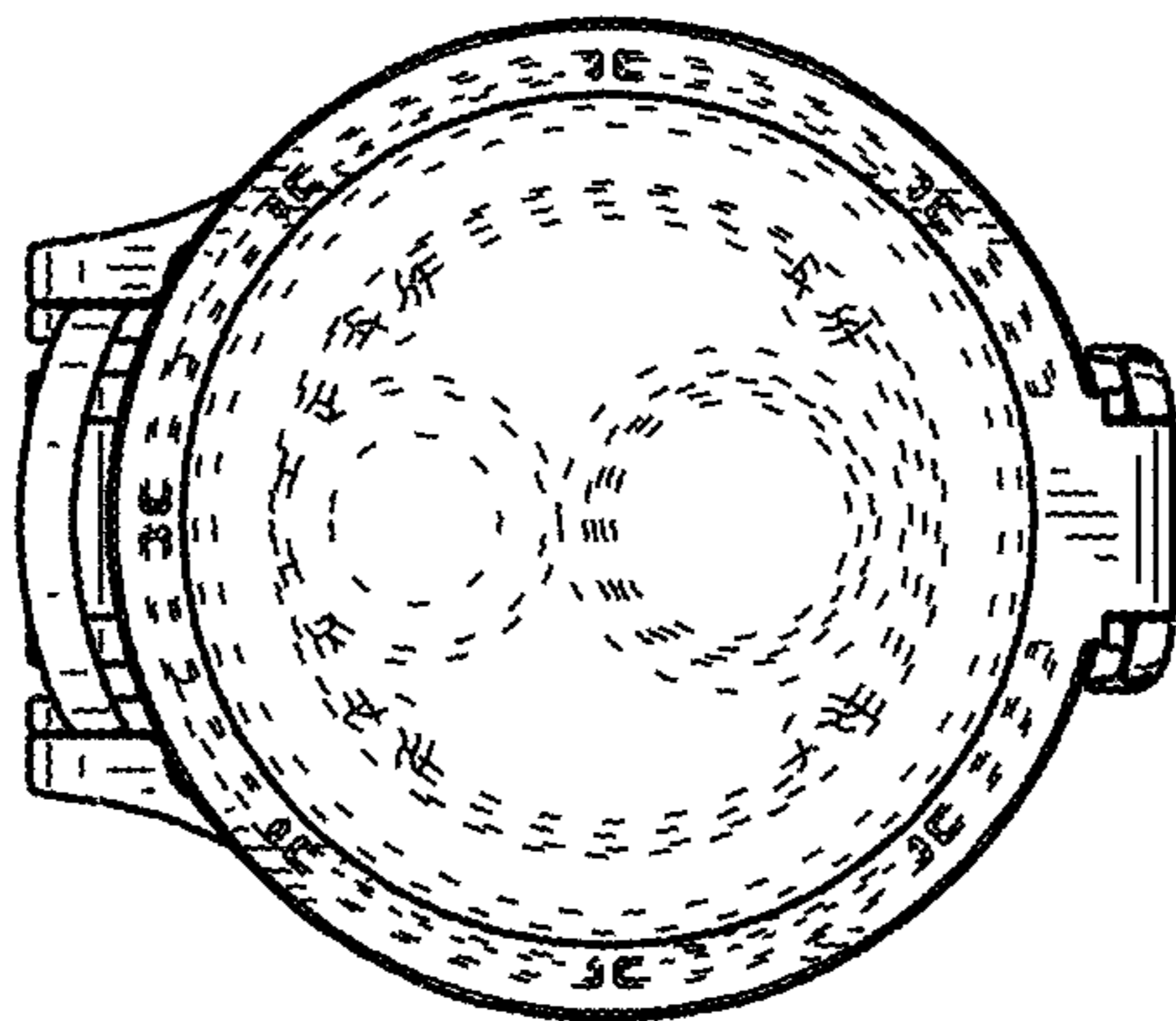


FIG. 7