



US00D780577S

(12) **United States Design Patent**  
**Seiders et al.**

(10) **Patent No.:** **US D780,577 S**  
(45) **Date of Patent:** **\*\* Mar. 7, 2017**

(54) **LID**

(71) Applicant: **YETI Coolers, LLC**, Austin, TX (US)

(72) Inventors: **Roy Joseph Seiders**, Austin, TX (US);  
**Steve Nichols**, Austin, TX (US);  
**Matthew Joseph Petrillo**, Austin, TX (US)

(73) Assignee: **YETI Coolers, LLC**, Austin, TX (US)

(\*\*) Term: **15 Years**

(21) Appl. No.: **29/544,211**

(22) Filed: **Oct. 30, 2015**

(51) **LOC (10) Cl.** ..... **09-07**

(52) **U.S. Cl.**  
USPC ..... **D9/443**; D7/392.1; D7/396.2; D9/434;  
D9/435; D9/436; D9/454

(58) **Field of Classification Search**  
USPC .... D3/10, 202, 203.1, 203.2, 273, 275, 291,  
D3/294, 318; D4/127, 129; D7/300,  
D7/300.1, 313, 316, 317, 318, 387, 391,  
D7/392.1, 393, 394, 396.2, 398, 402, 503,  
D7/505, 507, 509, 510, 511, 513,  
D7/523-531, 533, 538, 541, 542, 549,  
D7/590, 605, 608, 629, 672, 703, 900;  
D8/300, 302, 303, 306, 307, 308, 310,  
D8/315, 333, 349.35, 352, 354, 356, 382,  
D8/383, 394, 395; D9/418, 434-440,  
D9/443-450, 452-454, 502, 503, 504,  
D9/516, 517, 529, 530, 531, 534, 538,  
D9/543, 682, 686, 688, 715, 718;  
D10/46.2; D11/26, 35; D12/218;  
(Continued)

(56) **References Cited**

**U.S. PATENT DOCUMENTS**

D154,378 S 7/1949 Fuller  
D235,303 S 6/1975 Boucher

(Continued)

**FOREIGN PATENT DOCUMENTS**

CN 301110494 \* 1/2010  
CN 303528321 \* 12/2015

(Continued)

**OTHER PUBLICATIONS**

Yeti 36 oz. Rambler: Announced Jan. 11, 2016 [online], site visited [May 10, 2016]. Available from Internet URL: <http://yeticoolers.com/rambler-bottle-36-oz/>.\*

(Continued)

*Primary Examiner* — Sheryl Lane

*Assistant Examiner* — Catherine Posthauer

(74) *Attorney, Agent, or Firm* — Banner & Witcoff, Ltd.

(57) **CLAIM**

The ornamental design for a lid, as shown and described.

**DESCRIPTION**

FIG. 1 is a top, front, right perspective view of a lid showing our new design;

FIG. 2 is a front view thereof;

FIG. 3 is a rear view thereof;

FIG. 4 is a right side view thereof;

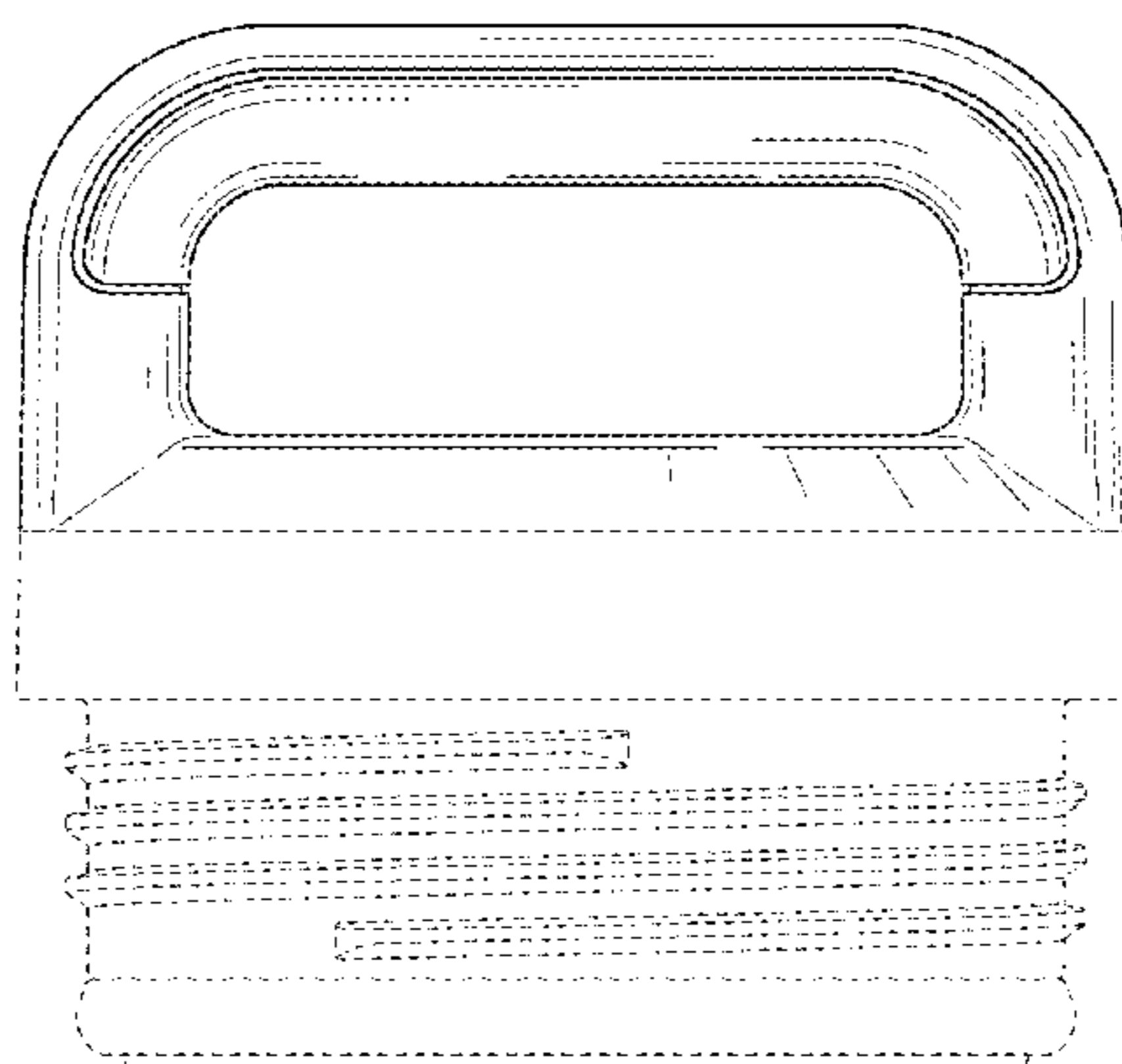
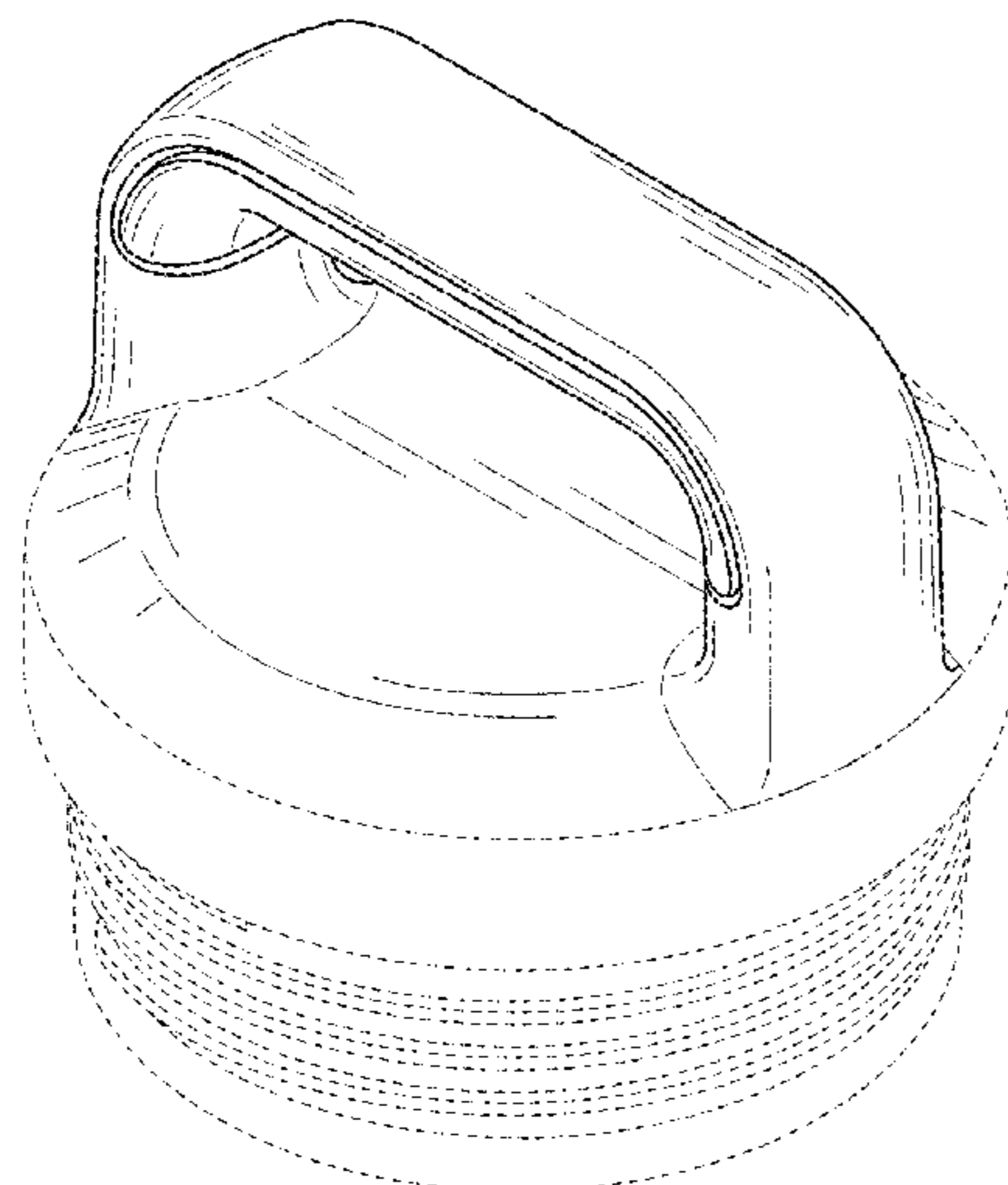
FIG. 5 is a left side view thereof;

FIG. 6 is a top view thereof; and,

FIG. 7 is a bottom view thereof.

The broken lines represent environmental subject matter and parts of the lid that form no part of the claimed design. The dot-dash broken lines represent the boundaries of the claim and form no part thereof.

**1 Claim, 4 Drawing Sheets**



(58) **Field of Classification Search**

USPC ..... D13/103, 106, 118, 133, 154, 158, 183,  
 D13/703; D19/70, 71, 115, 162, 163,  
 D19/165, 192, 194; D24/121, 127, 197,  
 D24/224; D26/36, 123, 124; D29/129,  
 D29/130; D30/158, 159; D32/23, 24, 25,  
 D32/34, 72; D34/7, 10, 11, 28; 215/200,  
 215/201, 205, 206, 209, 211, 212, 217,  
 215/218, 222, 224, 228, 230, 232, 270,  
 215/295, 329, 341, 344, 350, 3; 220/212,  
 220/212.5, 220, 236, 253, 254.3, 288,  
 220/293, 294, 300, 324, 529.16, 592.17,  
 220/574, 575, 700, 703, 705; 222/148,  
 222/153.1, 182, 567  
 CPC .... B65D 47/122; B65D 47/305; B65D 23/00;  
 B65D 1/00; B65D 1/02; B65D 1/0223;  
 B65D 50/041; B65D 25/18; B65D 41/04;  
 B65D 51/242; B65D 39/08; A47G 19/00;  
 A47G 19/2272; A47F 3/14; A45F 3/16;  
 A47J 41/00

See application file for complete search history.

(56) **References Cited**

U.S. PATENT DOCUMENTS

D256,651 S 9/1980 Leung et al.  
 D279,346 S 6/1985 Ruxton  
 D281,567 S 12/1985 Zimmermann  
 D286,847 S 11/1986 Zimmermann  
 D287,211 S 12/1986 Weiss  
 D332,379 S \* 1/1993 Murphy ..... D7/391  
 D368,224 S 3/1996 Arndt  
 D398,193 S \* 9/1998 Sanchez ..... D7/608  
 D415,395 S 10/1999 Hunt et al.  
 D422,916 S 4/2000 Herrmann  
 D456,669 S \* 5/2002 Munari ..... D7/392.1  
 D458,133 S 6/2002 Berish et al.  
 D458,134 S 6/2002 Berish et al.  
 D479,800 S 9/2003 McRae  
 D482,607 S 11/2003 McRae  
 D494,425 S \* 8/2004 Segura ..... D7/608  
 D524,909 S 7/2006 Bakke et al.  
 D525,518 S \* 7/2006 Baldwin ..... D8/310  
 D564,363 S 3/2008 Rhea  
 D572,585 S 7/2008 Perrin et al.  
 D603,331 S \* 11/2009 Schupp ..... D13/103  
 D604,561 S 11/2009 Chisholm  
 D612,235 S 3/2010 Cresswell et al.  
 D614,918 S 5/2010 Chisholm  
 D615,360 S 5/2010 Joy et al.  
 D615,816 S 5/2010 Joy et al.  
 D616,703 S 6/2010 Joy et al.  
 D616,743 S 6/2010 Cresswell et al.  
 D616,744 S 6/2010 Cresswell et al.  
 D620,798 S 8/2010 Cresswell et al.  
 D621,257 S 8/2010 Gullickson et al.  
 D621,258 S 8/2010 Gullickson et al.  
 D622,089 S 8/2010 Daniel et al.  
 D626,416 S 11/2010 Cresswell et al.  
 D627,601 S 11/2010 Eyal  
 D627,602 S 11/2010 Eyal  
 D628,486 S 12/2010 Lane  
 D630,475 S \* 1/2011 Lu ..... D7/629  
 D631,666 S 2/2011 Lim et al.  
 D633,338 S 3/2011 Rosbach et al.  
 D635,457 S 4/2011 Lane  
 D638,695 S \* 5/2011 Woodrow ..... D8/382  
 D651,847 S 1/2012 Gilbert  
 D652,255 S 1/2012 Carland

D657,196 S \* 4/2012 Beyers, III ..... D7/513  
 D658,064 S 4/2012 Barnes et al.  
 D662,360 S 6/2012 George  
 8,215,511 B1 \* 7/2012 Lin ..... B65D 39/08  
 215/228  
 D664,809 S 8/2012 Eyal  
 D665,621 S 8/2012 Eyal  
 D668,913 S 10/2012 Mayer  
 D672,238 S 12/2012 Aziz et al.  
 D672,609 S 12/2012 Aziz et al.  
 D675,100 S 1/2013 Herbst  
 D680,389 S \* 4/2013 Zemel ..... D7/672  
 D688,093 S \* 8/2013 Roth ..... D7/392.1  
 D702,506 S 4/2014 Mettler et al.  
 D708,954 S 7/2014 Barnes et al.  
 D712,254 S 9/2014 Geis et al.  
 D712,255 S 9/2014 Geis et al.  
 D713,365 S 9/2014 Green  
 D717,102 S 11/2014 Taketani et al.  
 D724,385 S 3/2015 Hurley et al.  
 D728,315 S 5/2015 Bo  
 D728,995 S \* 5/2015 Barberi ..... D7/394  
 D729,579 S 5/2015 Molayem  
 D735,578 S \* 8/2015 Mazurkiewicz ..... D9/443  
 D754,472 S \* 4/2016 Munari ..... D7/393  
 2011/0186585 A1 \* 8/2011 Lu ..... A47J 41/00  
 220/575  
 2014/0353275 A1 \* 12/2014 Hung ..... B65D 47/305  
 215/311

FOREIGN PATENT DOCUMENTS

JP 1530358 8/2015  
 KR 300303813.0000 \* 8/2002  
 KR 300751936.0000 \* 7/2014  
 KR 300751936.0000 10/2014  
 KR 300764889.0000 \* 10/2014  
 WO D088688-002 1/2016  
 WO WOD088688-002 \* 1/2016

OTHER PUBLICATIONS

Kold Vacuum Insulated Stainless Steel Sports Bottle: Announced Dec. 8, 2015 [online], site visited [May 11, 2016]. Available from Internet URL: [http://www.amazon.com/KOLD-Sports-Water-Bottles-Insulated/dp/B018YHK79E/ref=cm.\\*](http://www.amazon.com/KOLD-Sports-Water-Bottles-Insulated/dp/B018YHK79E/ref=cm.*)

KOLD Vacuum Insulated Stainless Steel Sports Bottle: Announced Dec. 8, 2015 [online], site visited [May 11, 2016]. Available from Internet URL: <http://www.amazon.com/KOLD-Sports-Water-Bottles-Insulated/dp/B018YH K79E/ref=cm>.

United States District Court Western District of Texas Austin Division, "Complaint for Damages and Injunctive Relief," *YETI Coolers, LLC v. RTIC Coolers, LLC, RTIC Drinkware, LLC, and RTIC Web Services, LLC*, Case: 1:16-cv-00985, Document #1, filed Aug. 18, 2016, 27 pages.

United States District Court Western District of Texas Austin Division, "Defendants' Motion to Dismiss Pursuant to Rule 12(b)(6)," *YETI Coolers, LLC v. RTIC Coolers, LLC, RTIC Drinkware, LLC, and RTIC Web Services, LLC*, Case: 1:16-cv-00985, Document #9, filed Sep. 23, 2016, 27 pages.

English translation of Office Action issued on Nov. 1, 2016 for JP Application No. 2016-9605, 2 pages.

English translation of Office Action issued on Nov. 1, 2016 for JP Application No. 2016-9606, 2 pages.

English translation of Office Action issued on Oct. 4, 2016 for JP Application No. 2016-9607, 2 pages.

English translation of Office Action issued on Oct. 4, 2016 for JP Application No. 2016-9608, 2 pages.

\* cited by examiner

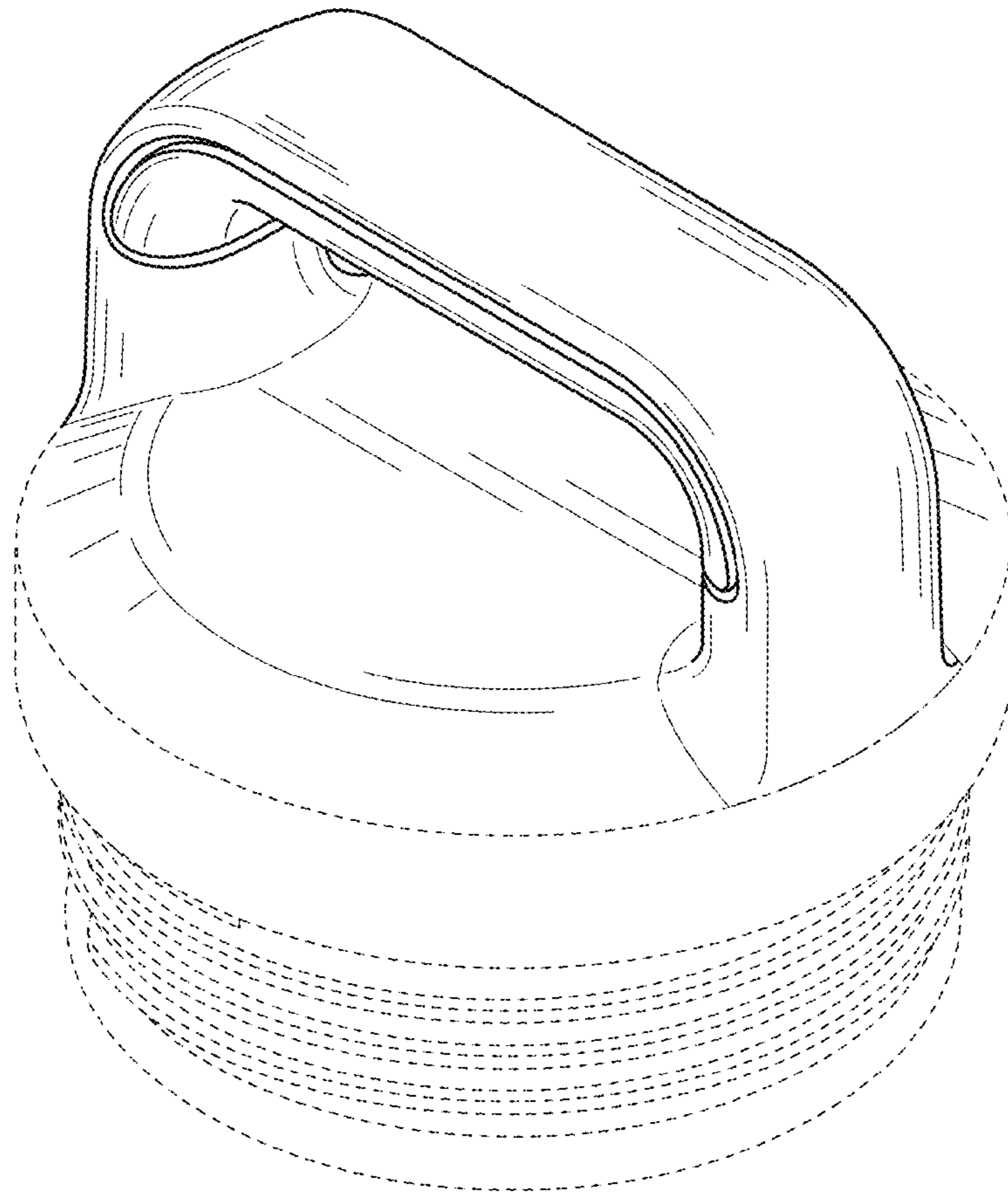


FIG. 1

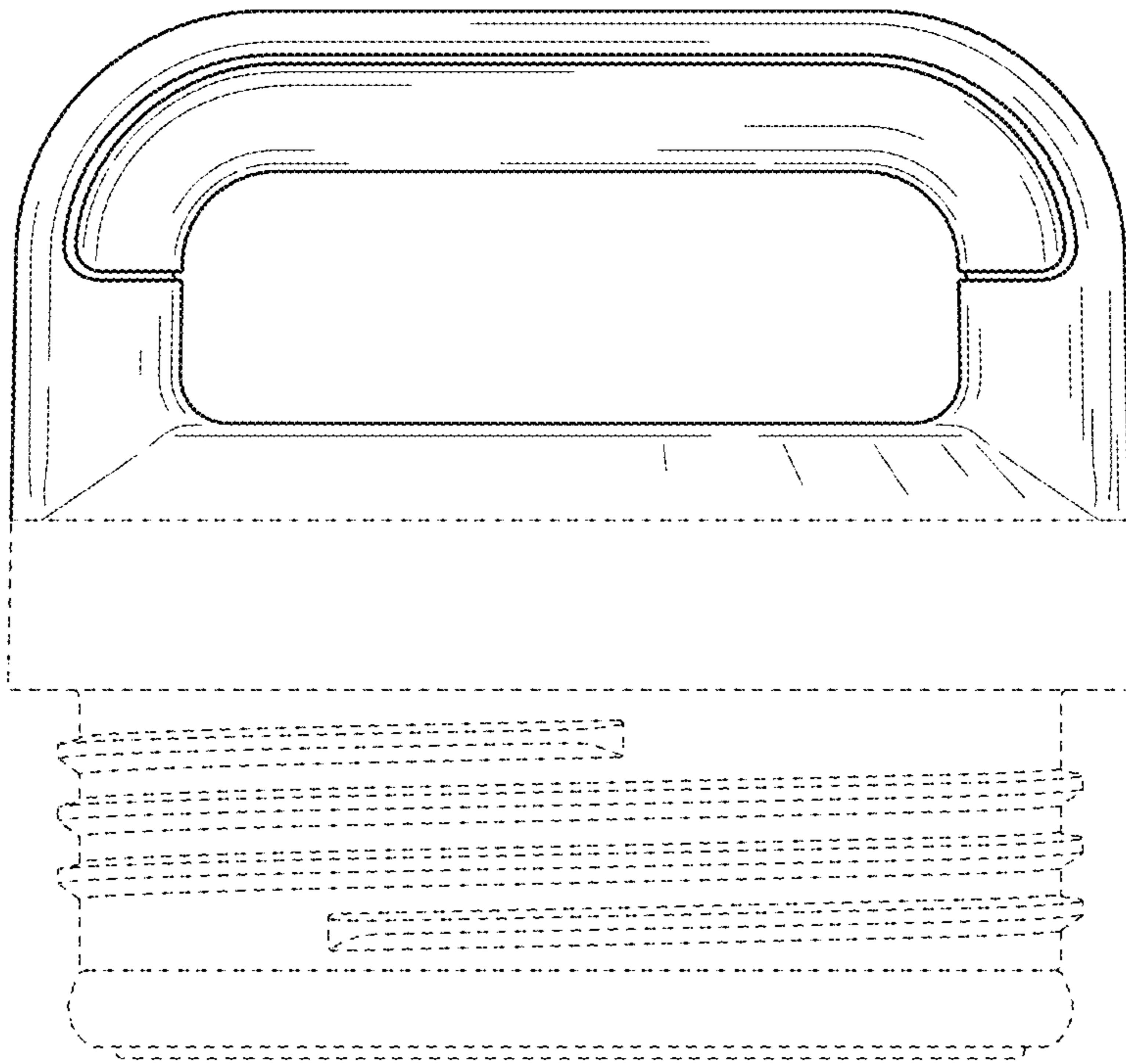


FIG. 2

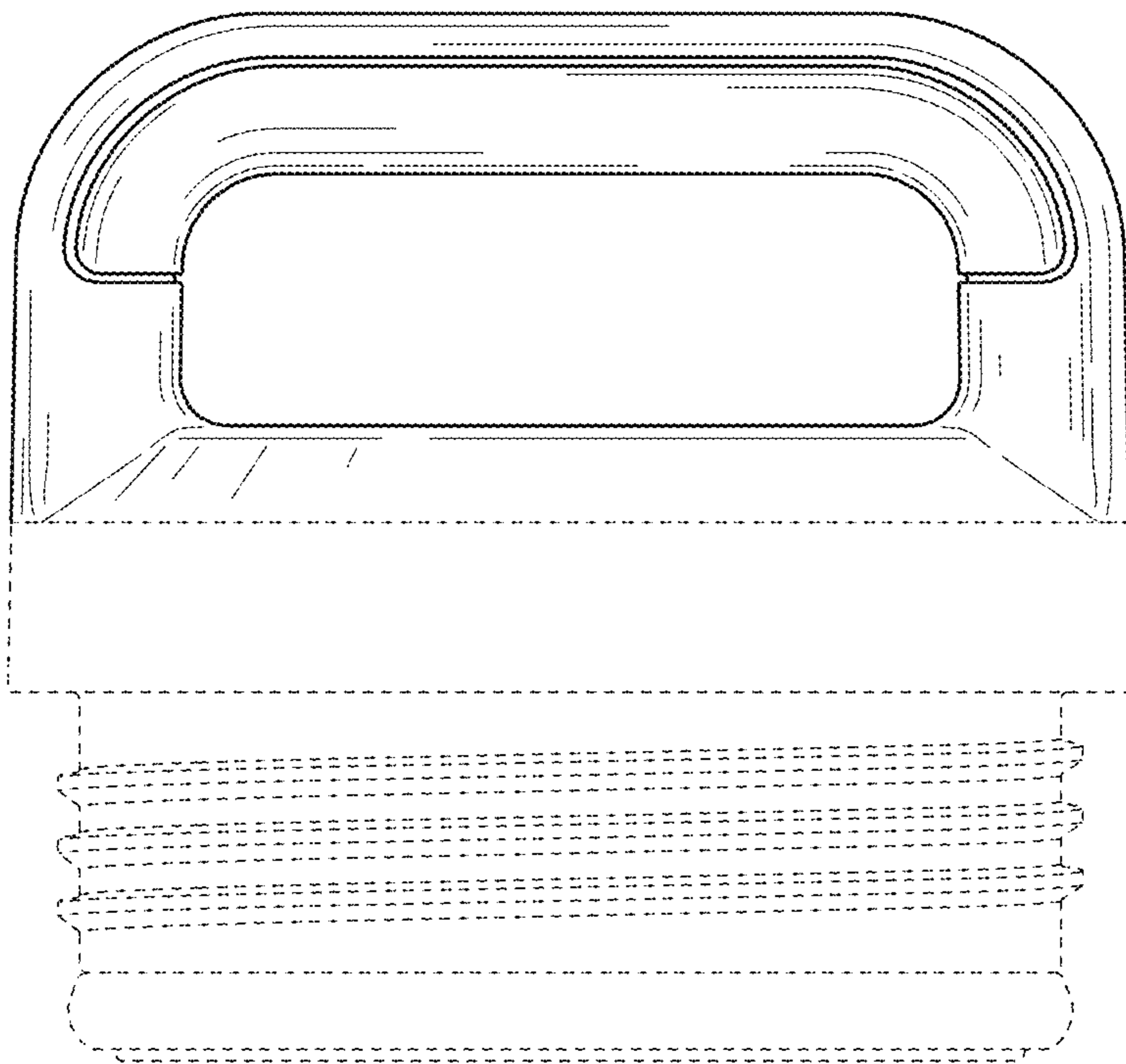


FIG. 3

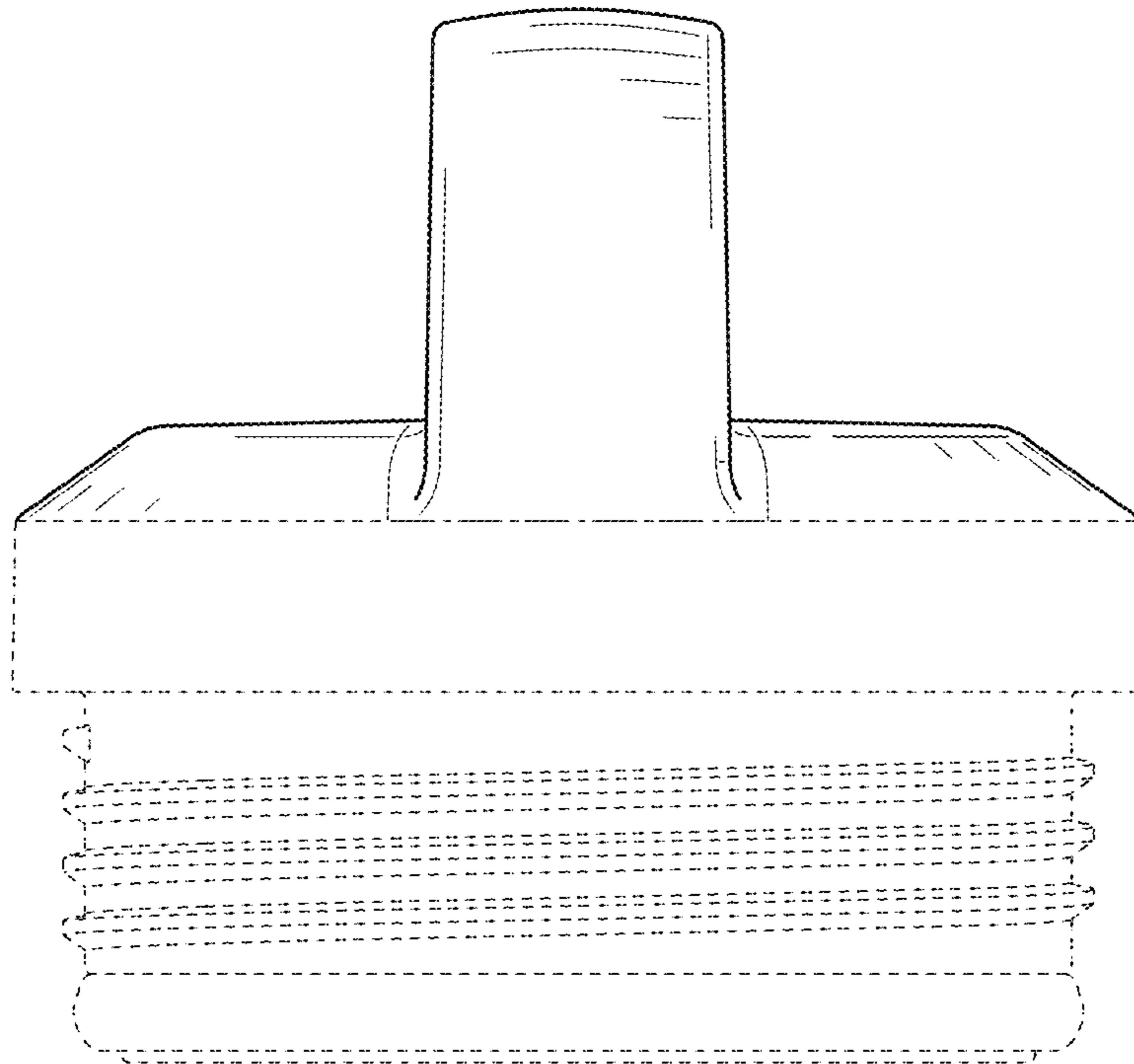


FIG. 4

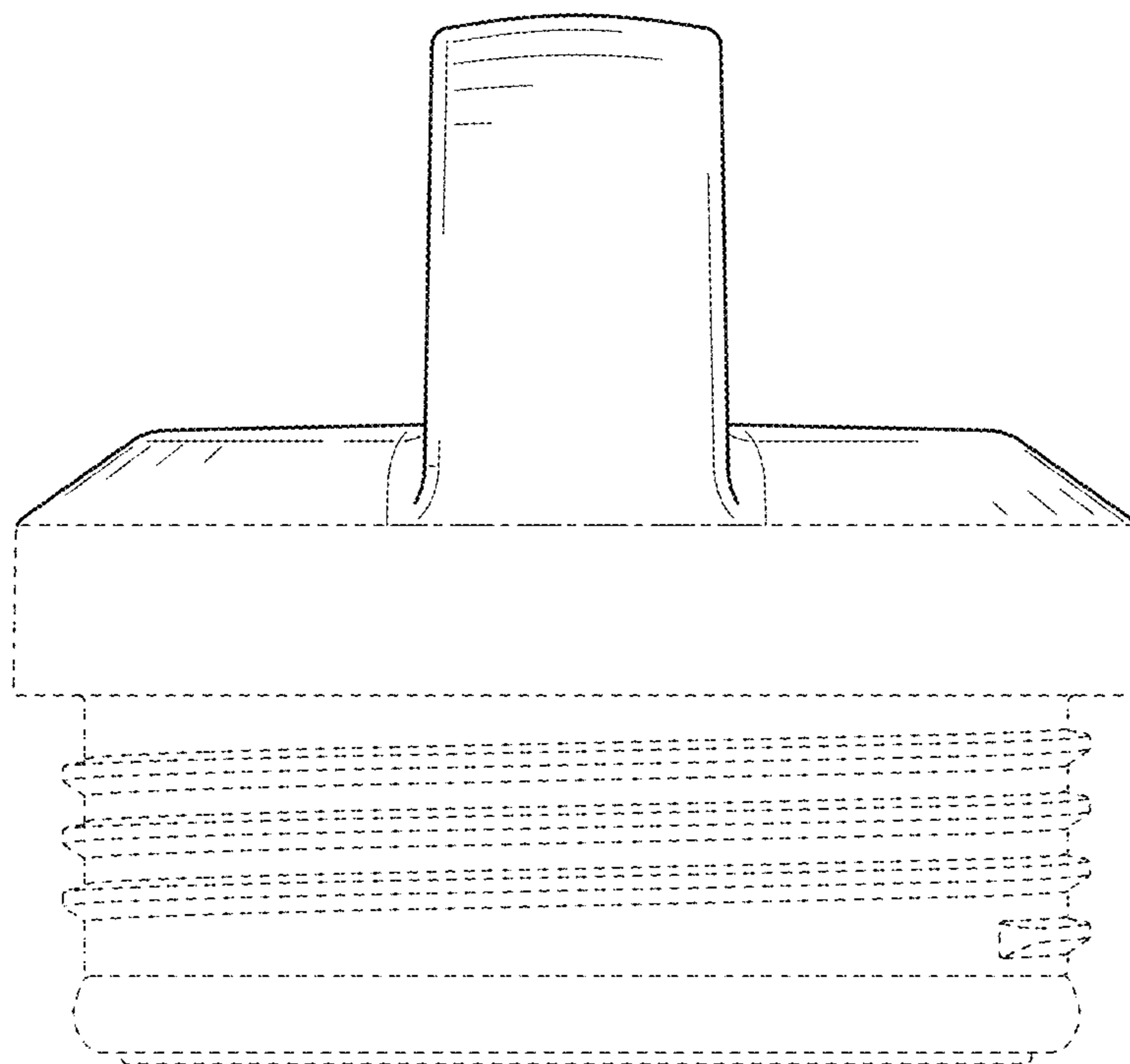


FIG. 5

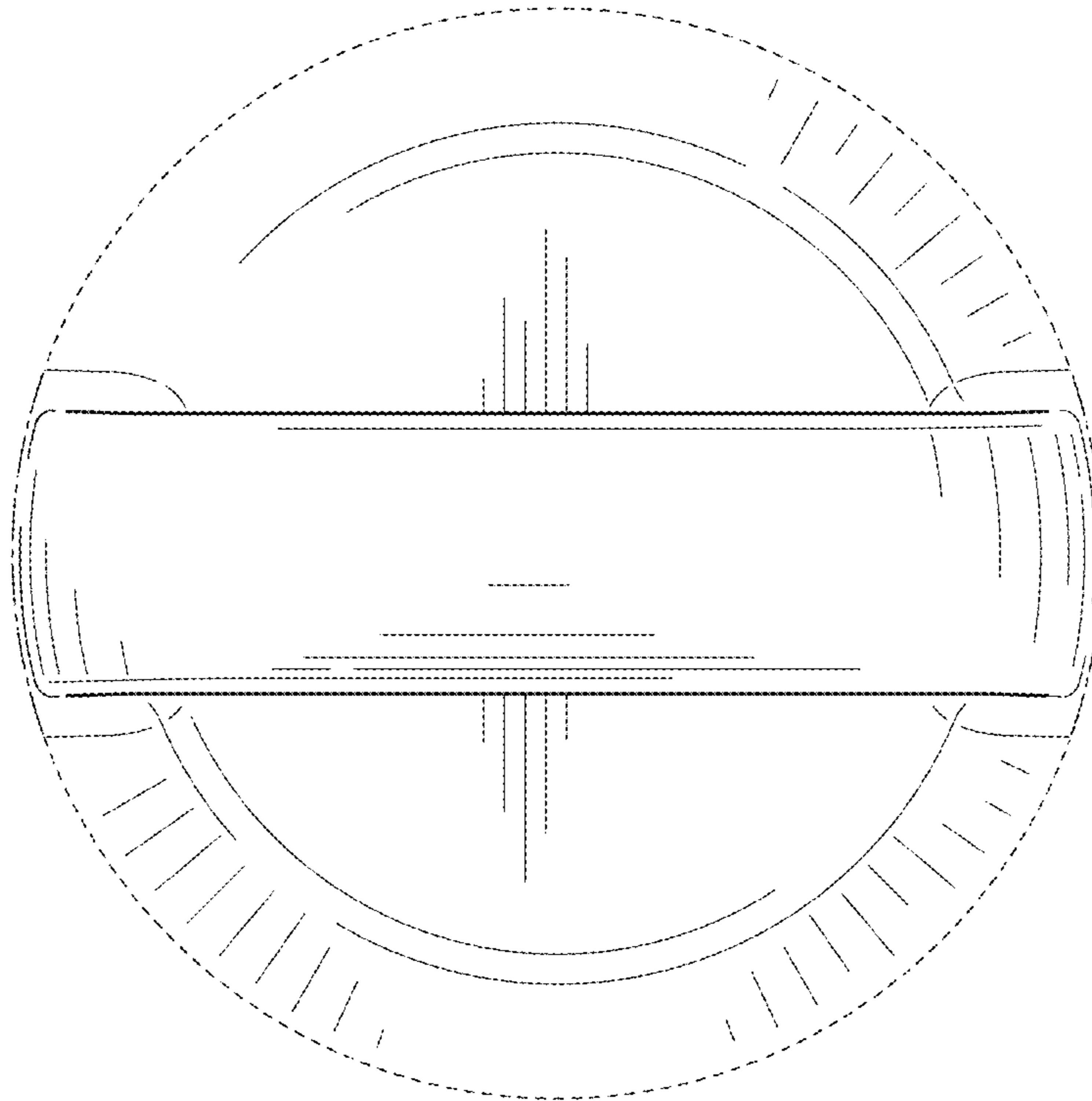


FIG. 6

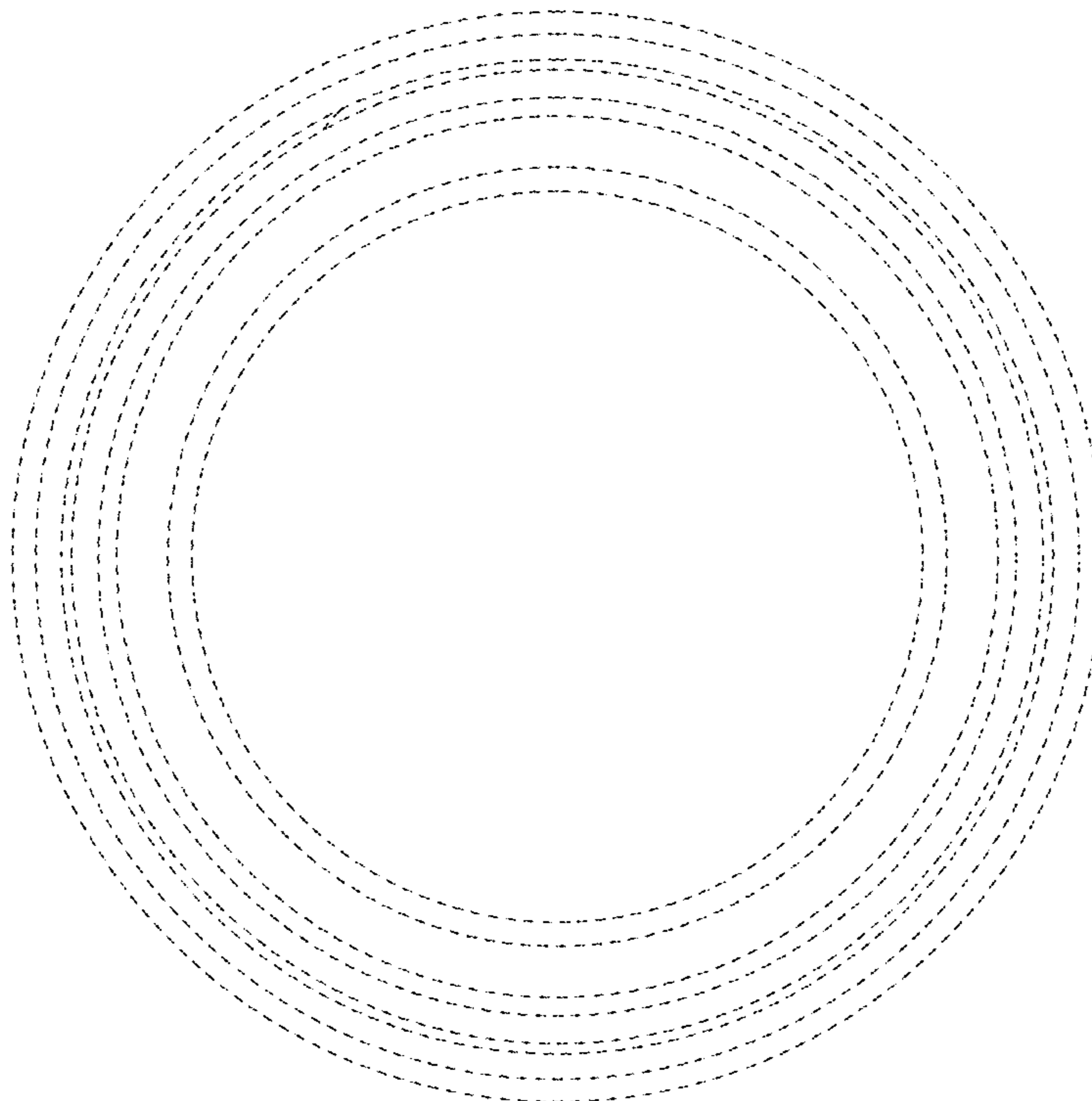


FIG. 7