



US00D780575S

(12) **United States Design Patent**
Volk

(10) **Patent No.:** **US D780,575 S**

(45) **Date of Patent:** **** Mar. 7, 2017**

(54) **HANDLE ATTACHMENT FOR SCREW LID TYPE JARS**

<URL:https://www.etsy.com/listing/160282212/small-mouth-pint-sized-ball-jar-with>.*

(Continued)

(71) Applicant: **Donald Volk**, Homer, AK (US)

Primary Examiner — Robert M Spear

(72) Inventor: **Donald Volk**, Homer, AK (US)

Assistant Examiner — Darcey E Hefflin

(**) Term: **15 Years**

(74) *Attorney, Agent, or Firm* — Michael J. Tavella

(21) Appl. No.: **29/537,013**

(57) **CLAIM**

(22) Filed: **Aug. 21, 2015**

The ornamental design for a, handle attachment for screw lid type jars, as shown and described.

(51) **LOC (10) Cl.** **09-07**

DESCRIPTION

(52) **U.S. Cl.**

USPC **D9/443**

(58) **Field of Classification Search**

USPC D9/433–436, 439, 440, 443, 444, 445, D9/447, 455–457, 499

CPC B65D 23/10

See application file for complete search history.

(56) **References Cited**

U.S. PATENT DOCUMENTS

D405,690 S *	2/1999	Takahashi	D9/434
D417,846 S *	12/1999	Patricco, Jr.	D9/434
D423,350 S *	4/2000	Takahashi	D9/434
D431,466 S *	10/2000	Wang	D7/619.1
D470,050 S *	2/2003	Renz	D7/396.2
D588,912 S *	3/2009	Christensen	D9/434
D589,793 S *	4/2009	Christensen	D9/434
D626,409 S *	11/2010	Hooley	D7/622
D634,634 S *	3/2011	Jones	D9/455

(Continued)

OTHER PUBLICATIONS

Etsy. Removable Forged Handle. Aug. 28, 2016 [earliest online date], [site visited Oct. 11, 2016]. Available from Internet,

FIG. 1 is a left side elevational view of a handle attachment for screw lid type jars showing my new design, the opposite side being a mirror image thereof.

FIG. 2 is a front elevational view thereof.

FIG. 3 is a rear elevational view thereof.

FIG. 4 is a top plan view thereof.

FIG. 5 is a bottom plan view thereof.

FIG. 6 is a top perspective view thereof.

FIG. 7 is a left side environmental view showing my new design, screwed onto a screw lid type jar.

FIG. 8 is a front environmental view showing my new design, screwed onto a screw lid type jar.

FIG. 9 is a rear environmental view showing my new design, screwed onto a screw lid type jar.

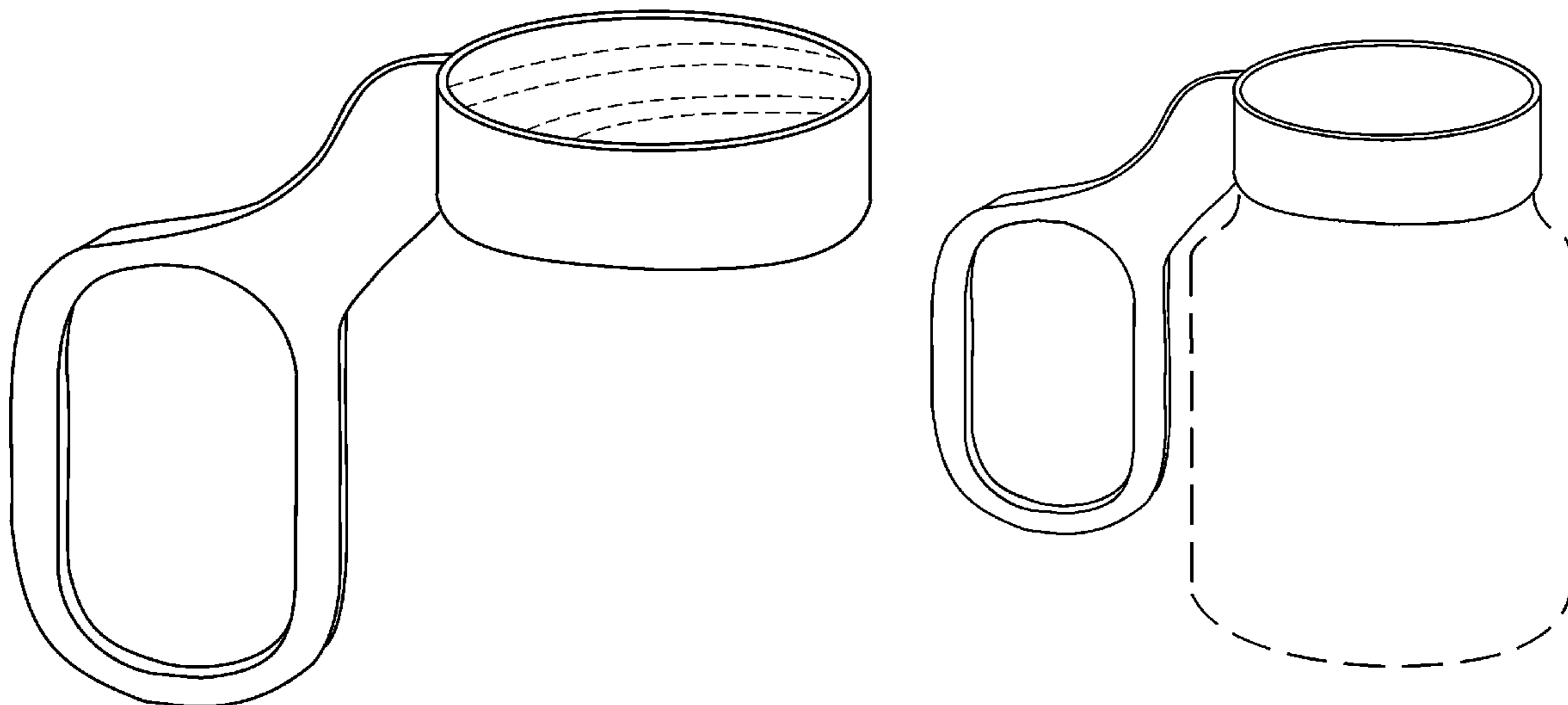
FIG. 10 is a top plan environmental view showing my new design, screwed onto a screw lid type jar.

FIG. 11 is a bottom plan environmental view showing my new design, screwed onto a screw lid type jar; and,

FIG. 12 is a top perspective environmental view showing my new design, screwed onto a screw lid type jar.

In the drawings, the broken lines depict environment that forms no part of the claim.

1 Claim, 12 Drawing Sheets



(56)

References Cited

U.S. PATENT DOCUMENTS

2006/0124579 A1* 6/2006 Nielson B65D 23/104
215/396
2015/0041427 A1* 2/2015 Taw B65D 23/106
215/396

OTHER PUBLICATIONS

Texas Bow Hunter. Forum response published by “Smart” on Oct. 21, 2015 [earliest online date], [site visited Oct. 11, 2016]. Available from Internet, <URL:<http://discussions.texasbowhunter.com/forums/showthread.php?t=557226>>.*

* cited by examiner

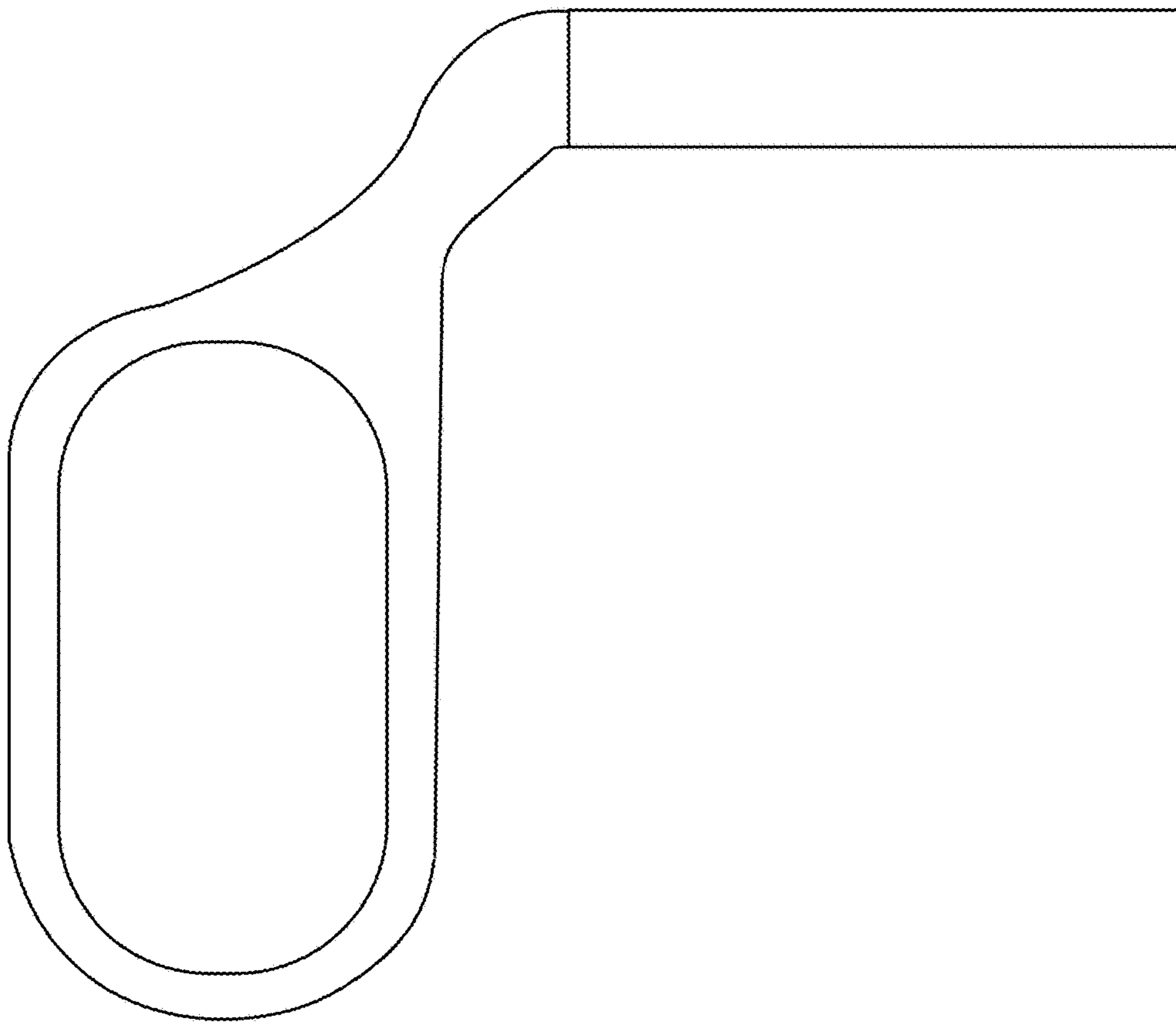


Figure 1

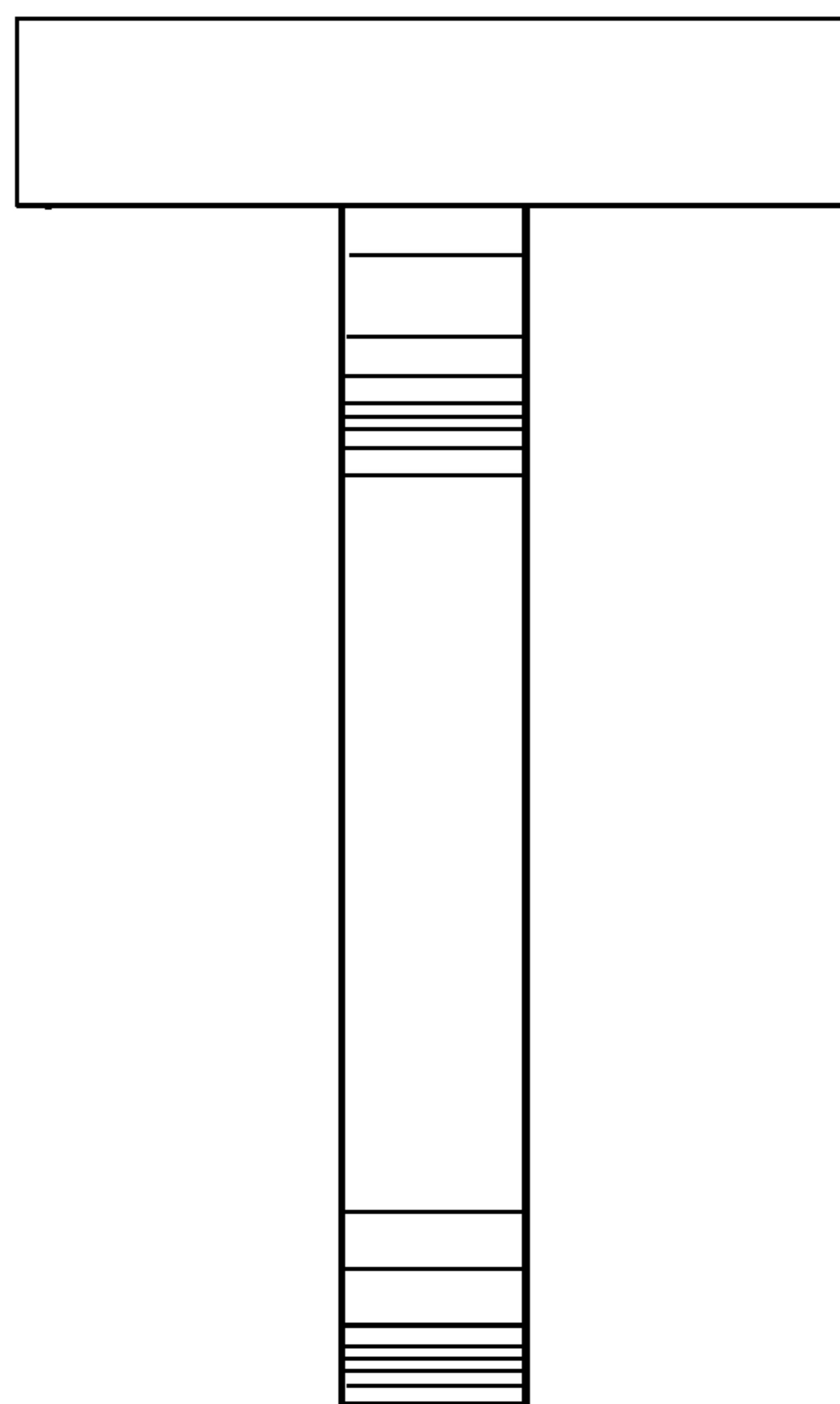


Figure 2

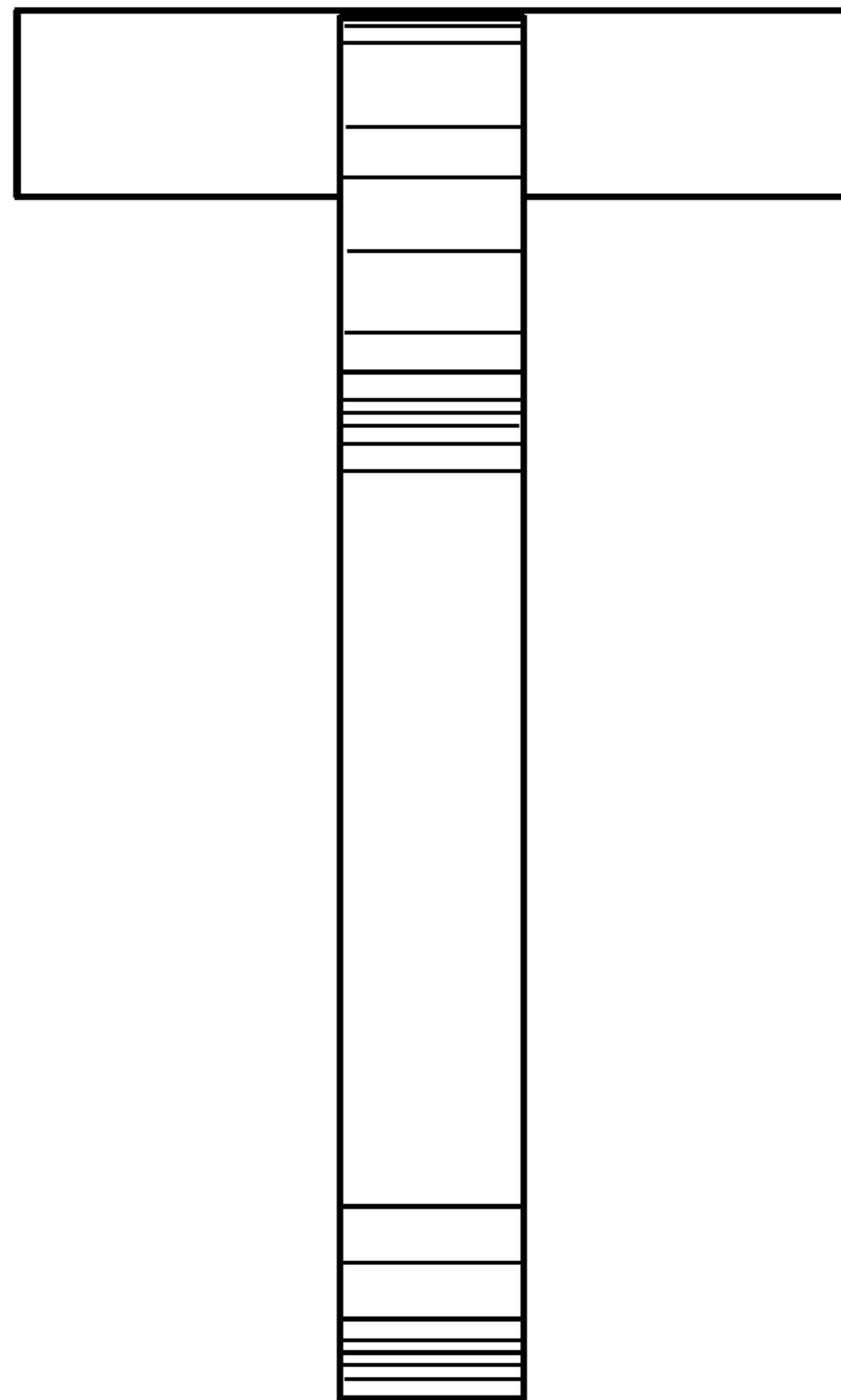


Figure 3

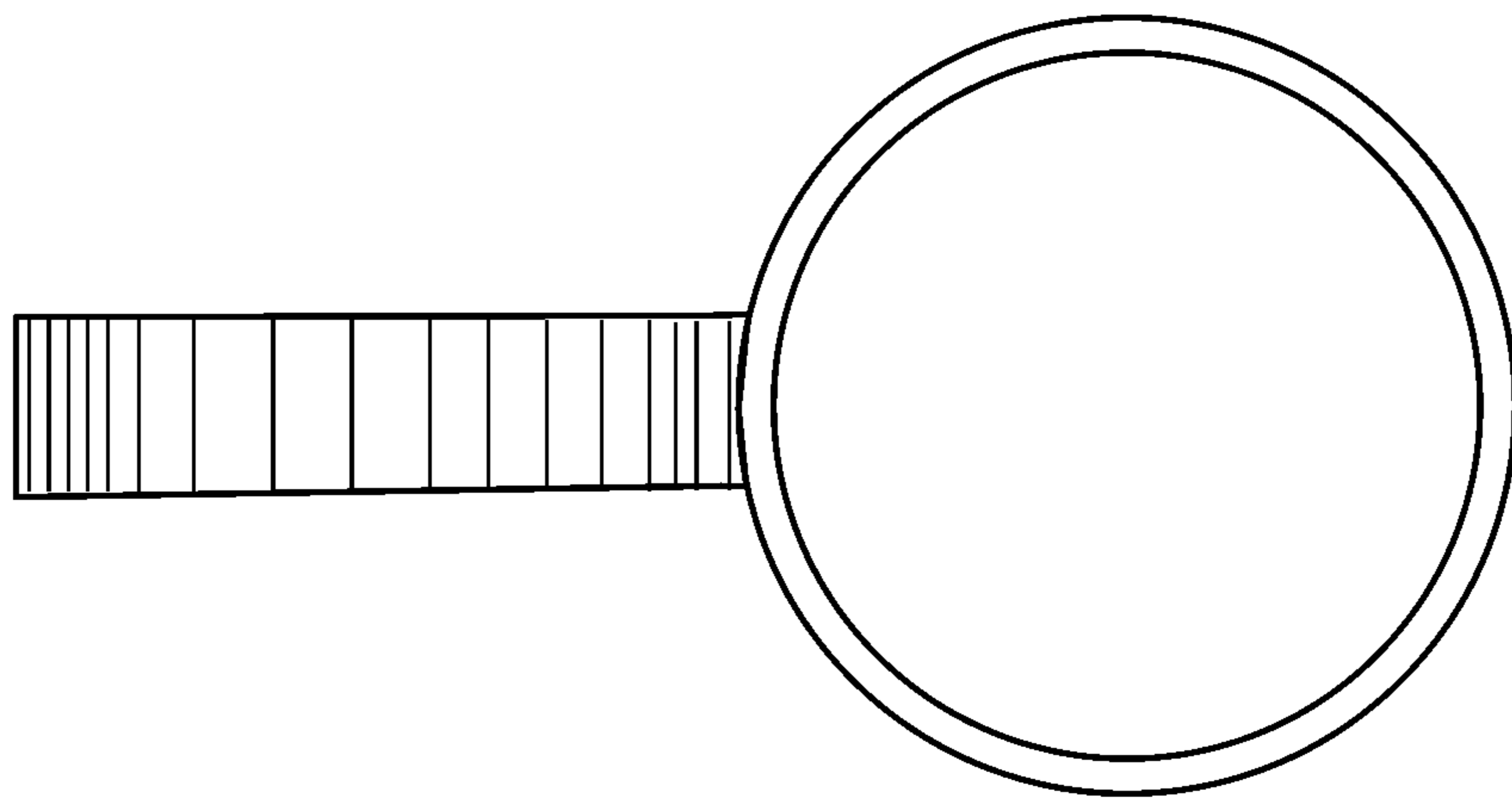


Figure 4

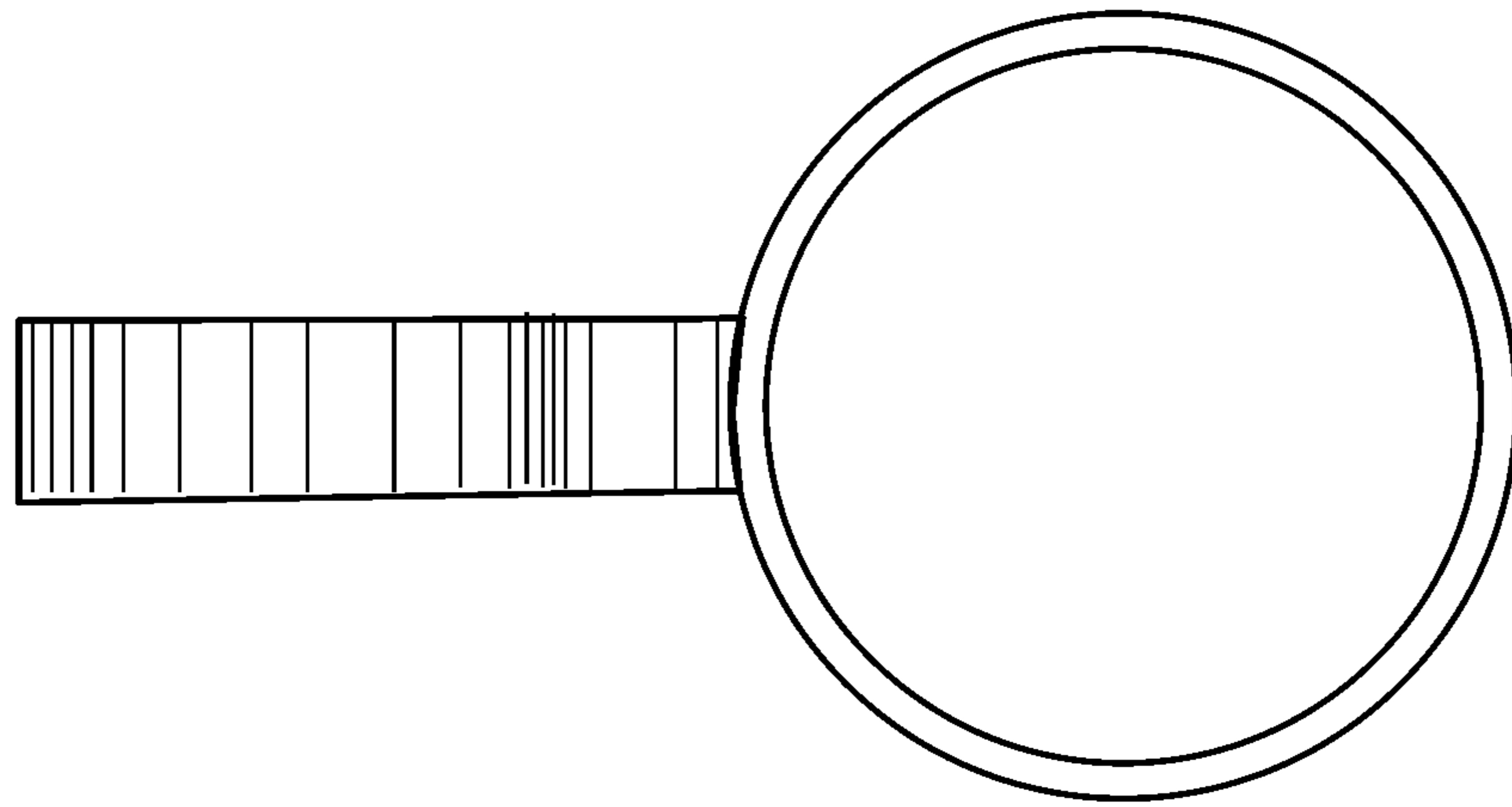


Figure 5

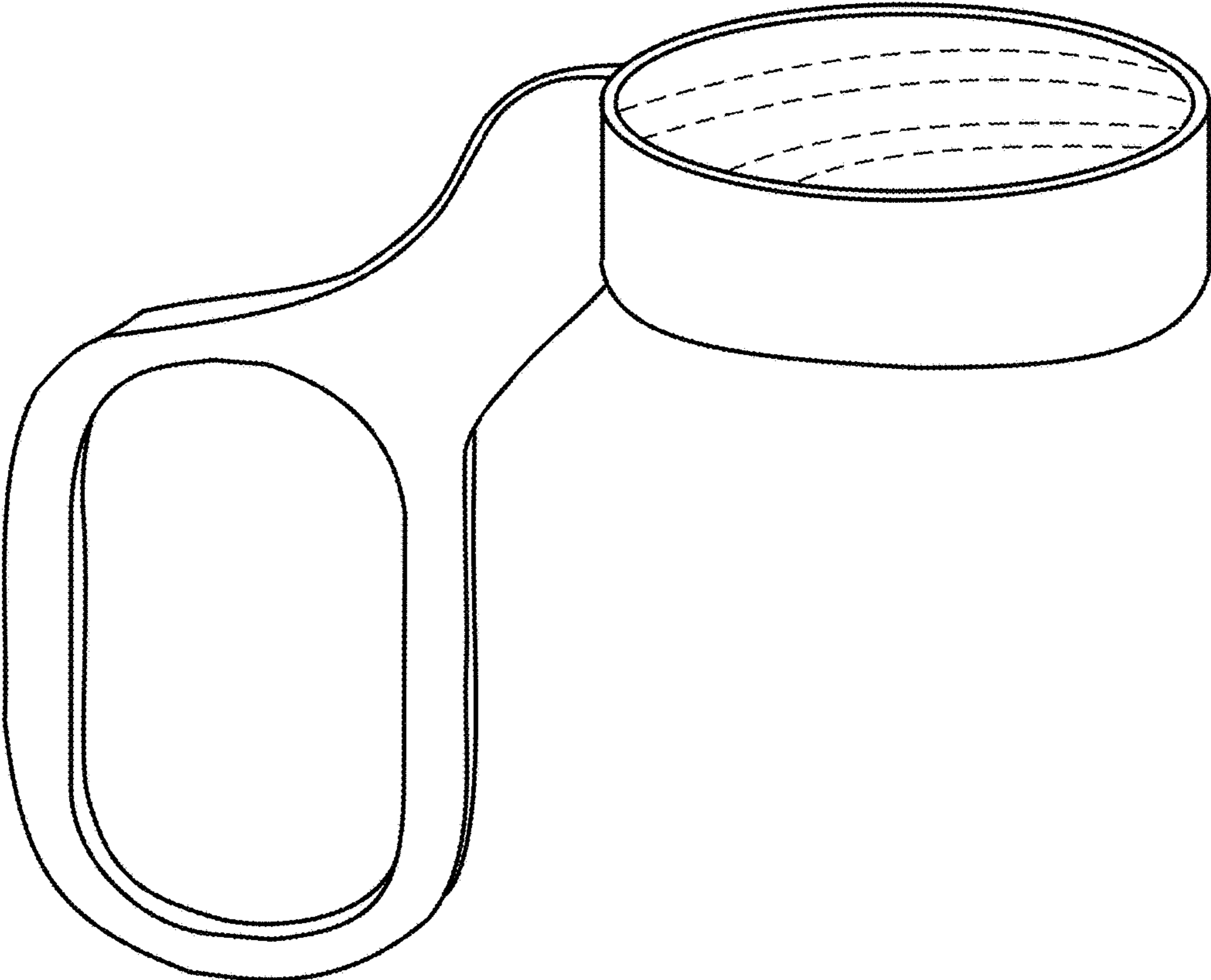


Figure 6

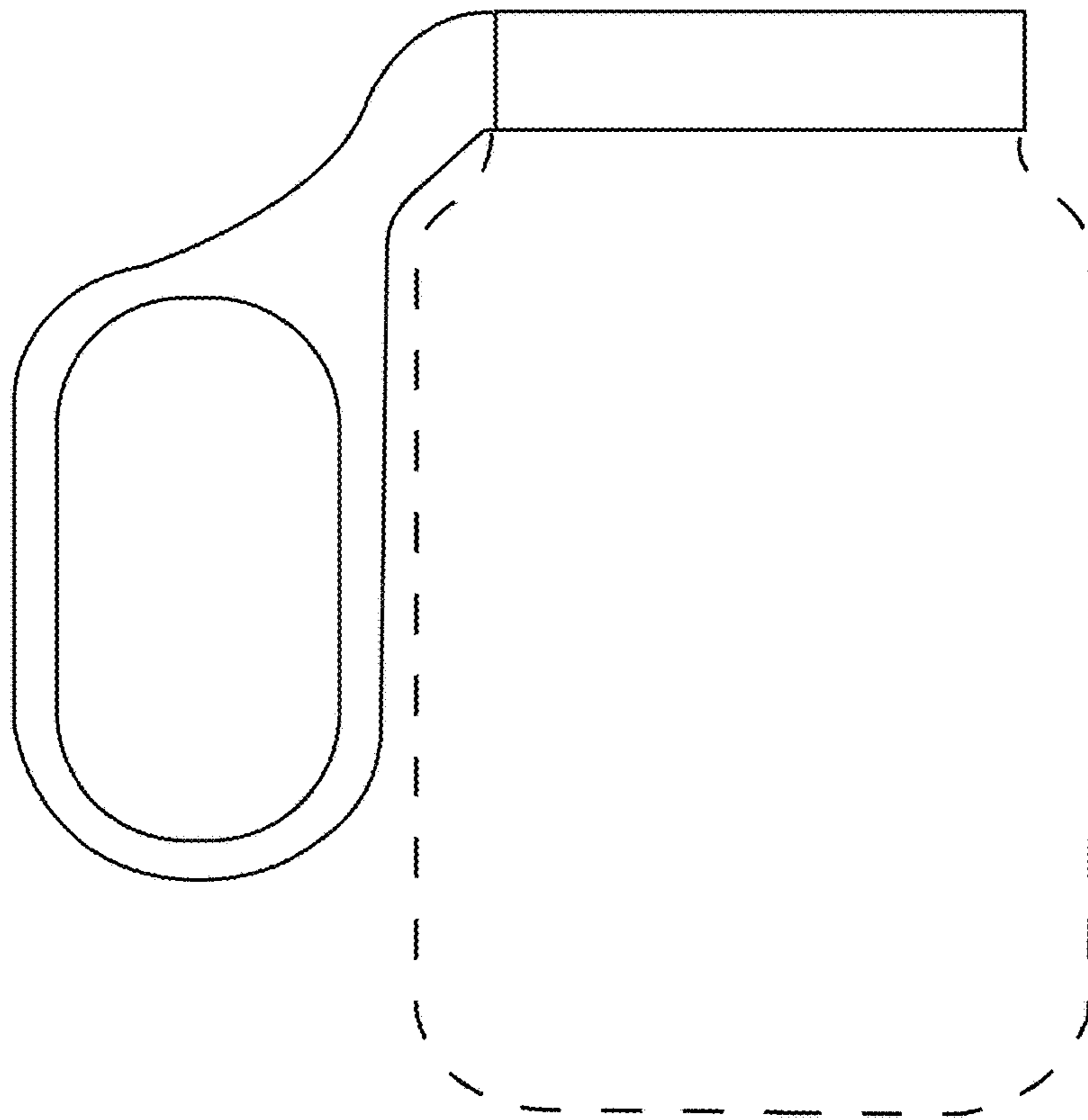


Figure 7

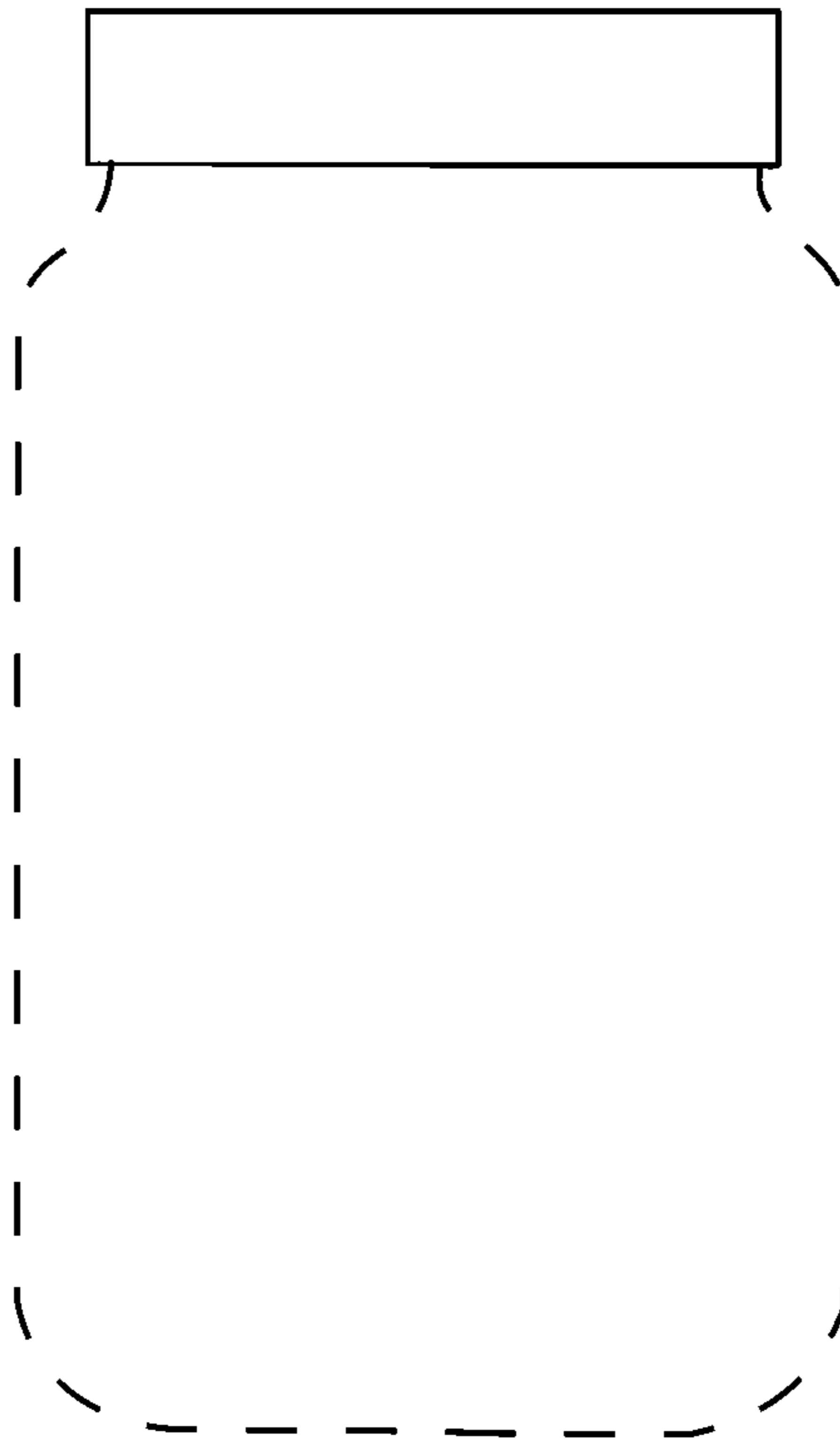


Figure 8

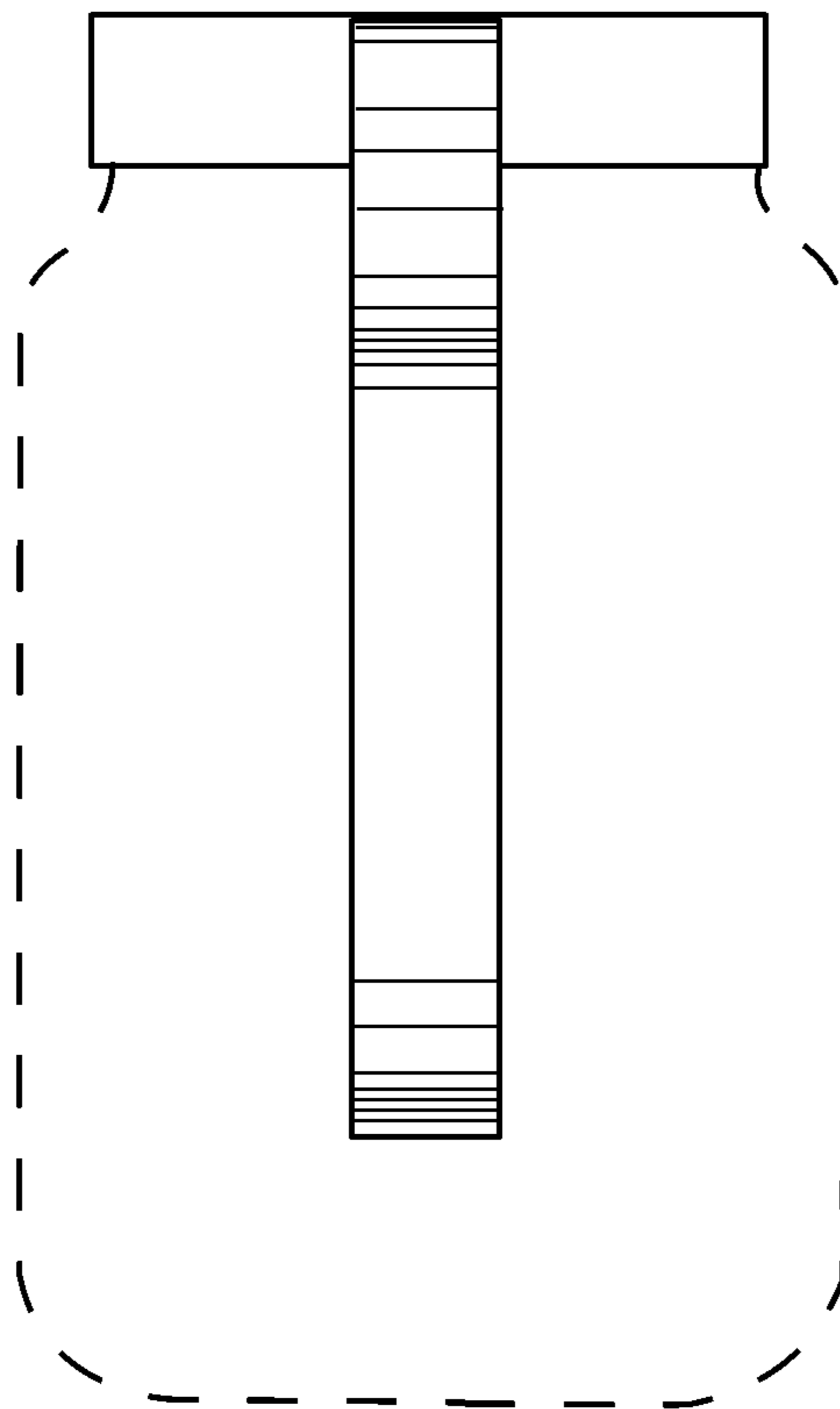


Figure 9

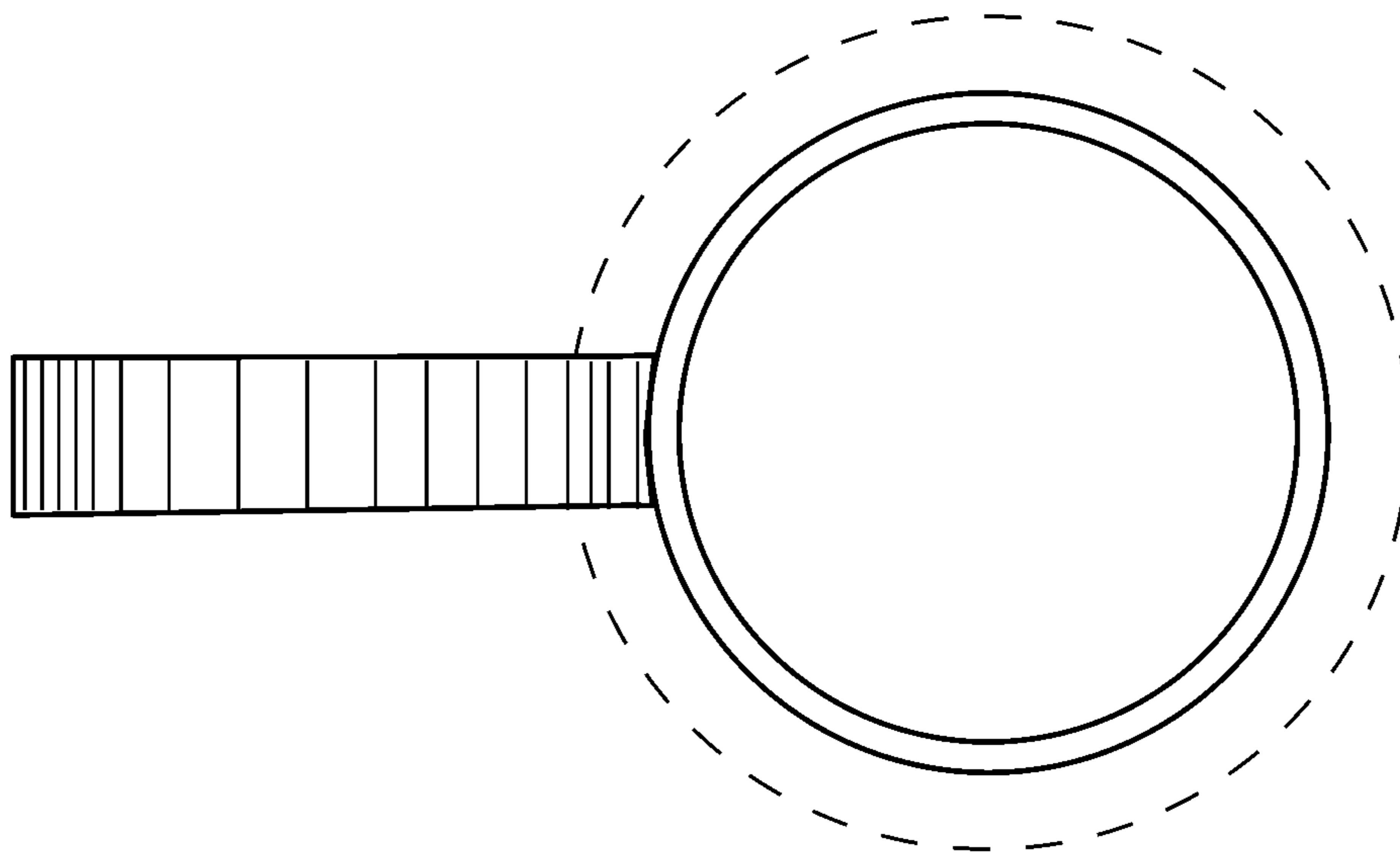


Figure 10

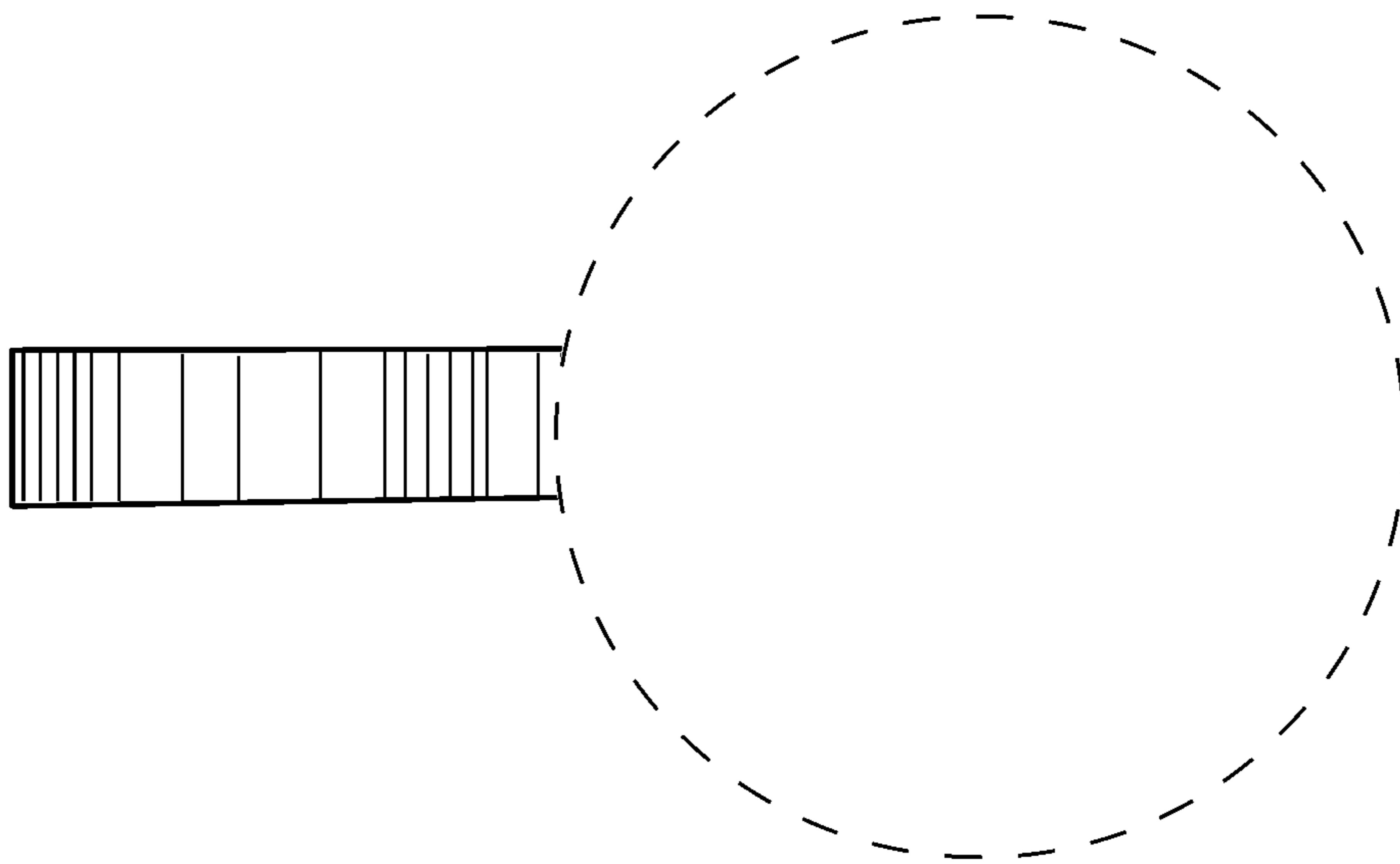


Figure 11

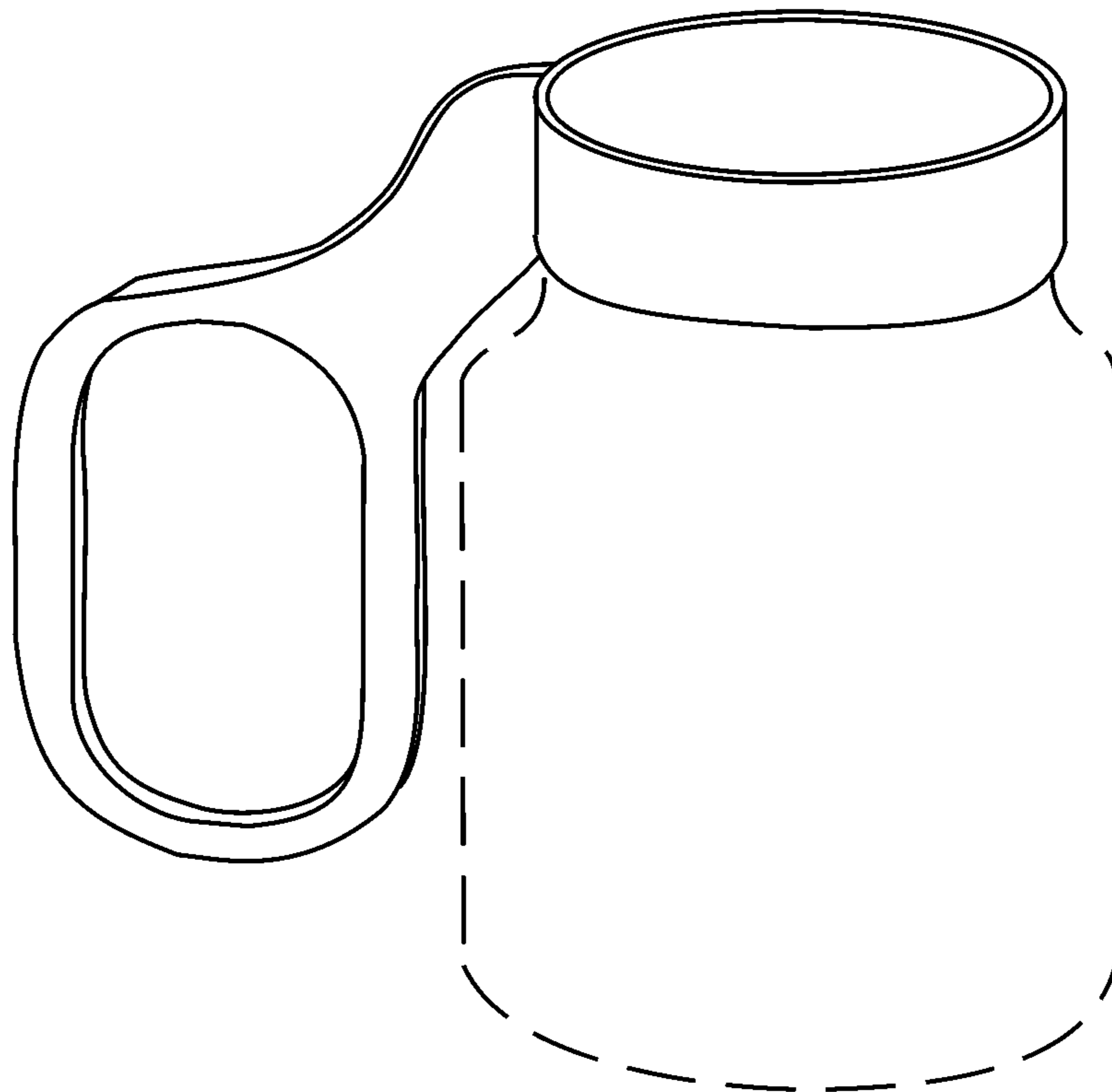


Figure 12