

US00D780571S

(12) **United States Design Patent**
Crawford

(10) **Patent No.:** **US D780,571 S**

(45) **Date of Patent:** **** *Mar. 7, 2017**

(54) **STACKABLE CONTAINER APPARATUS**

(71) Applicant: **Kevin Crawford**, Nashville, TN (US)

(72) Inventor: **Kevin Crawford**, Nashville, TN (US)

(*) Notice: This patent is subject to a terminal disclaimer.

(**) Term: **14 Years**

(21) Appl. No.: **29/492,626**

(22) Filed: **Jun. 2, 2014**

(51) **LOC (10) Cl.** **09-03**

(52) **U.S. Cl.**
USPC **D9/424; D9/737**

(58) **Field of Classification Search**

USPC D9/414, 424, 429, 739, 744, 745, 752;
D7/513, 532, 553.1, 546; 220/23.8, 500,
220/505, 506, 553-557; 206/216, 217,
206/505, 514, 515

CPC B65D 25/04; B65D 21/0233; B65D
2543/00296; B65D 51/28; B65D 1/265;
B65D 2543/00537; B65D 1/36; B65D
2543/00092; B65D 81/32; B65D 43/0212;
B65D 2543/00509; B65D 81/36; B65D
85/816; B65D 81/3205; B65D 21/048;
B65D 25/00; B65D 1/24; B65D 1/34;
B65D 23/12; B65D 2543/00842; B65D
71/70; B65D 2543/00351; B65D
2571/0066; B65D 21/041; B65D 51/24;
B65D 21/0234; B65D 2519/00288; B65D
2519/00318; B65D 2501/24687; B65D
2519/00268; A47G 19/2205; A47G
2019/122; A47G 19/23

See application file for complete search history.

(56) **References Cited**

U.S. PATENT DOCUMENTS

876,808 A 1/1908 Kinert
D46,645 S * 11/1914 Traylor D11/152

1,300,164 A 4/1919 Guardino
D101,290 S * 9/1936 Schneider 215/6
D139,569 S * 11/1944 O'Brien 220/23.4
D210,767 S * 4/1968 Anglada D7/532
3,567,105 A 3/1971 Mc Farlin et al.
3,845,897 A 11/1974 Buttery et al.
3,877,632 A 4/1975 Steel
4,126,261 A 11/1978 Cook
D283,386 S * 4/1986 Mansueto D7/513
4,714,190 A 12/1987 Morrocco
D295,009 S * 4/1988 Mansueto D7/513
4,854,466 A 8/1989 Lane, Jr.
4,955,528 A 9/1990 Schluckebier
4,986,433 A 1/1991 Davis
D341,750 S * 11/1993 Scicolone D7/543
5,476,215 A 12/1995 Baroud
5,540,333 A 7/1996 Gonzalez et al.
5,626,283 A 5/1997 Mellon
5,630,544 A 5/1997 Shane
5,720,429 A 2/1998 Cordle
5,875,957 A 3/1999 Yocum

(Continued)

Primary Examiner — Derrick Holland

Assistant Examiner — Lauren Calve

(74) *Attorney, Agent, or Firm* — Waller Lansden Dortch
& Davis, LLP; Nathan J. Bailey

(57) **CLAIM**

What is claimed is the ornamental design for a stackable container apparatus, as shown and described.

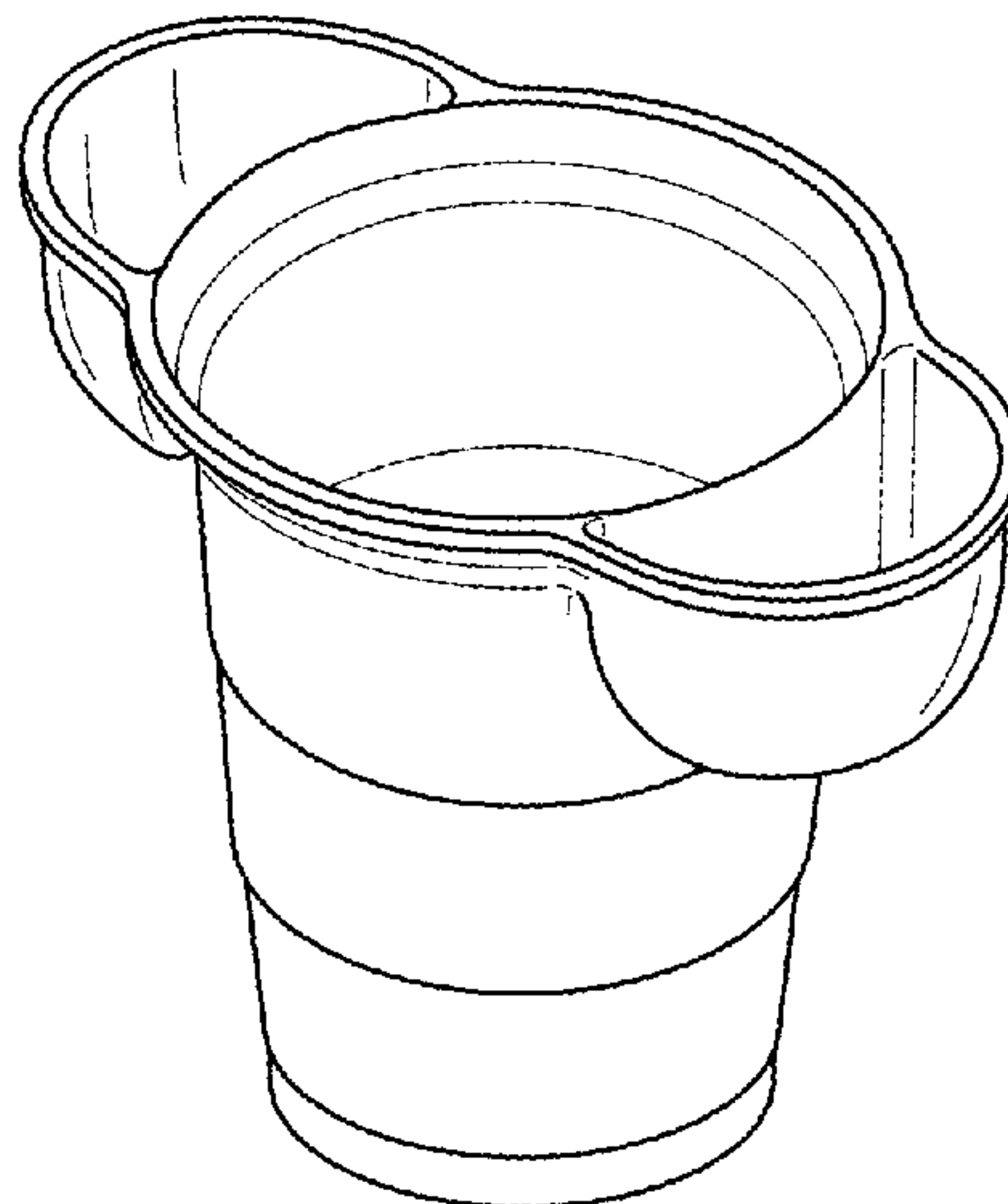
DESCRIPTION

FIG. 1 is an isometric view of a stackable container apparatus showing the present invention.

FIG. 2 is a front view of the stackable container apparatus; and,

FIG. 3 is a side view of the stackable container apparatus.

1 Claim, 1 Drawing Sheet



(56)

References Cited

U.S. PATENT DOCUMENTS

5,878,908 A	3/1999	Foley		7,140,532 B2	11/2006	Holt et al.	
6,098,805 A *	8/2000	Kent	B44D 3/12	7,273,162 B2	9/2007	Baker	
			206/518	7,520,417 B2	4/2009	Biedermann et al.	
6,102,208 A	8/2000	Huang		D606,365 S *	12/2009	Roth	D7/523
6,119,930 A	9/2000	Lunstra et al.		7,980,406 B2	7/2011	Liu	
6,152,362 A	11/2000	Rosenfeld		8,061,545 B2 *	11/2011	Roth	B65D 21/0204
6,193,201 B1	2/2001	Babcock					206/217
6,216,946 B1	4/2001	Cai		D677,151 S *	3/2013	Magniet	D9/424
6,321,929 B1	11/2001	Weshler et al.		8,387,816 B2	3/2013	Fallas	
6,386,443 B1	5/2002	Szczerbinski		8,556,099 B2 *	10/2013	Perlman	A45F 3/20
6,419,153 B1	7/2002	Maita					206/217
6,543,679 B2	4/2003	Cai et al.		9,119,490 B1 *	9/2015	Parodi, Jr.	A47G 19/2205
6,588,652 B2	7/2003	Cai		2002/0007902 A1	1/2002	Nance	
6,612,485 B2	9/2003	Lackner et al.		2002/0134781 A1	9/2002	Ciarrocchi, Jr.	
D481,260 S *	10/2003	Bulcher	D7/553.1	2007/0278122 A1	12/2007	McCumber et al.	
6,645,537 B2	11/2003	Sweeney et al.		2012/0181284 A1 *	7/2012	Young	A47J 36/28
6,719,192 B2	4/2004	Barcat et al.					220/500
				2015/0048002 A1 *	2/2015	Wang	B65D 21/0238
							206/505

* cited by examiner

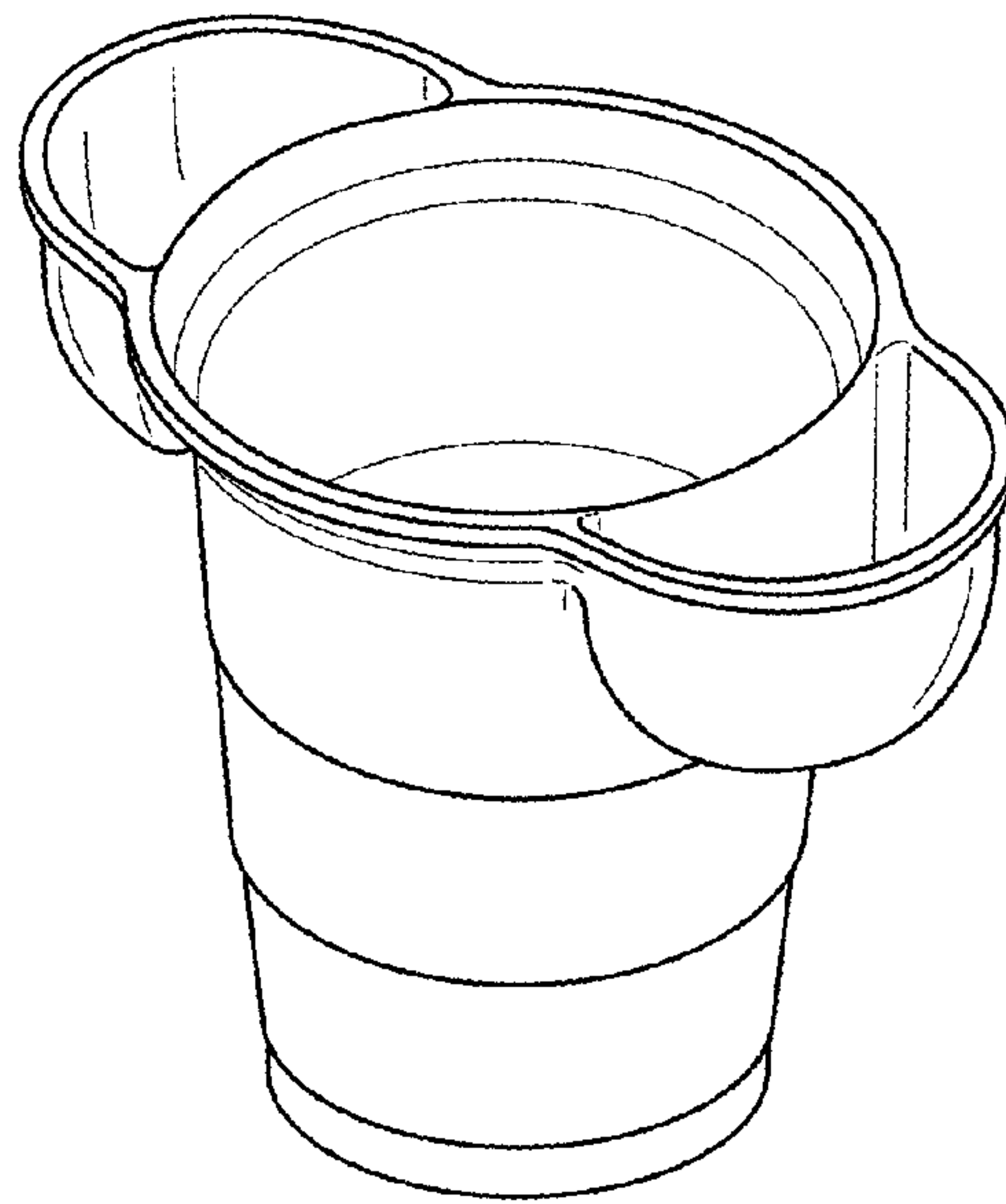


FIG. 1

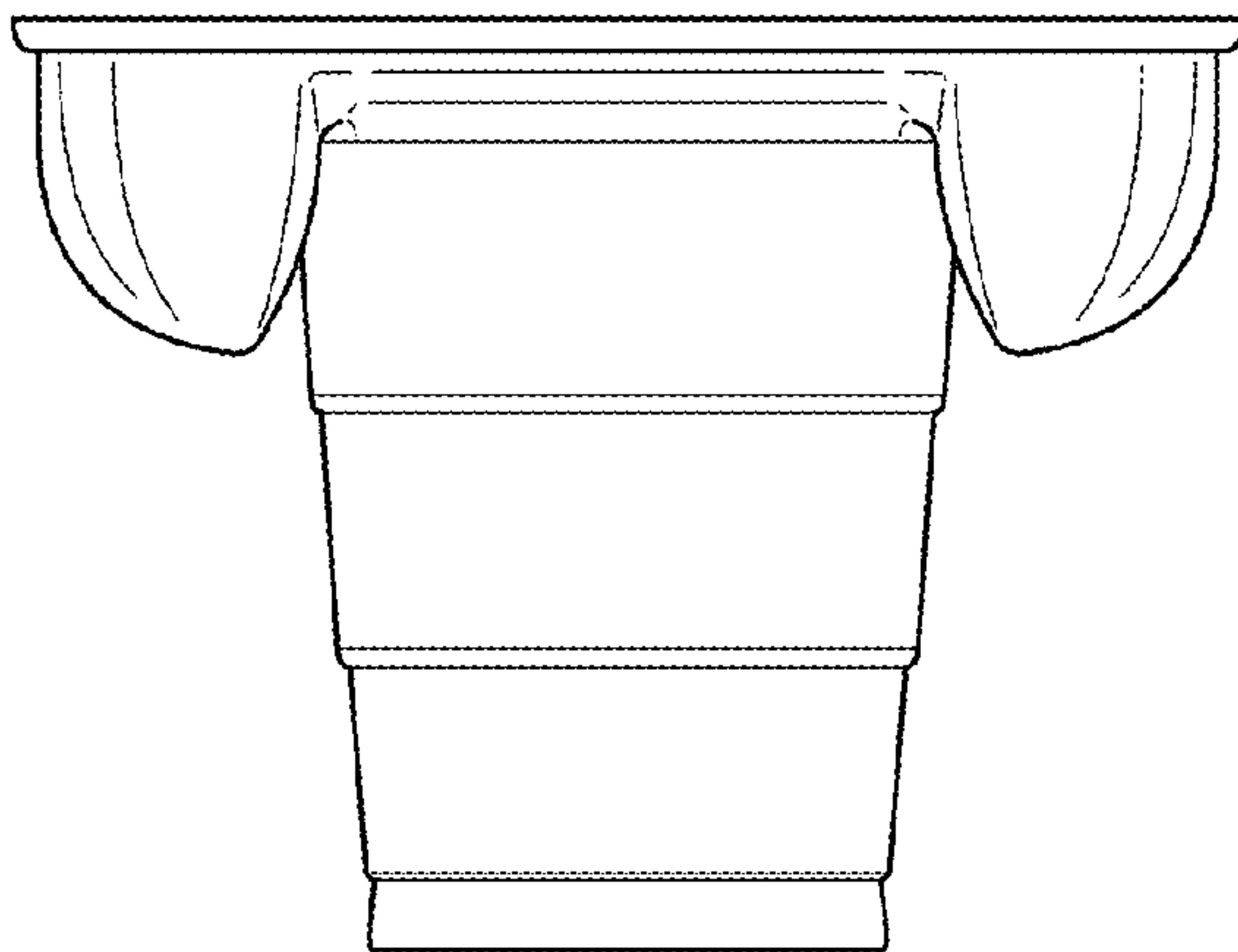


FIG. 2

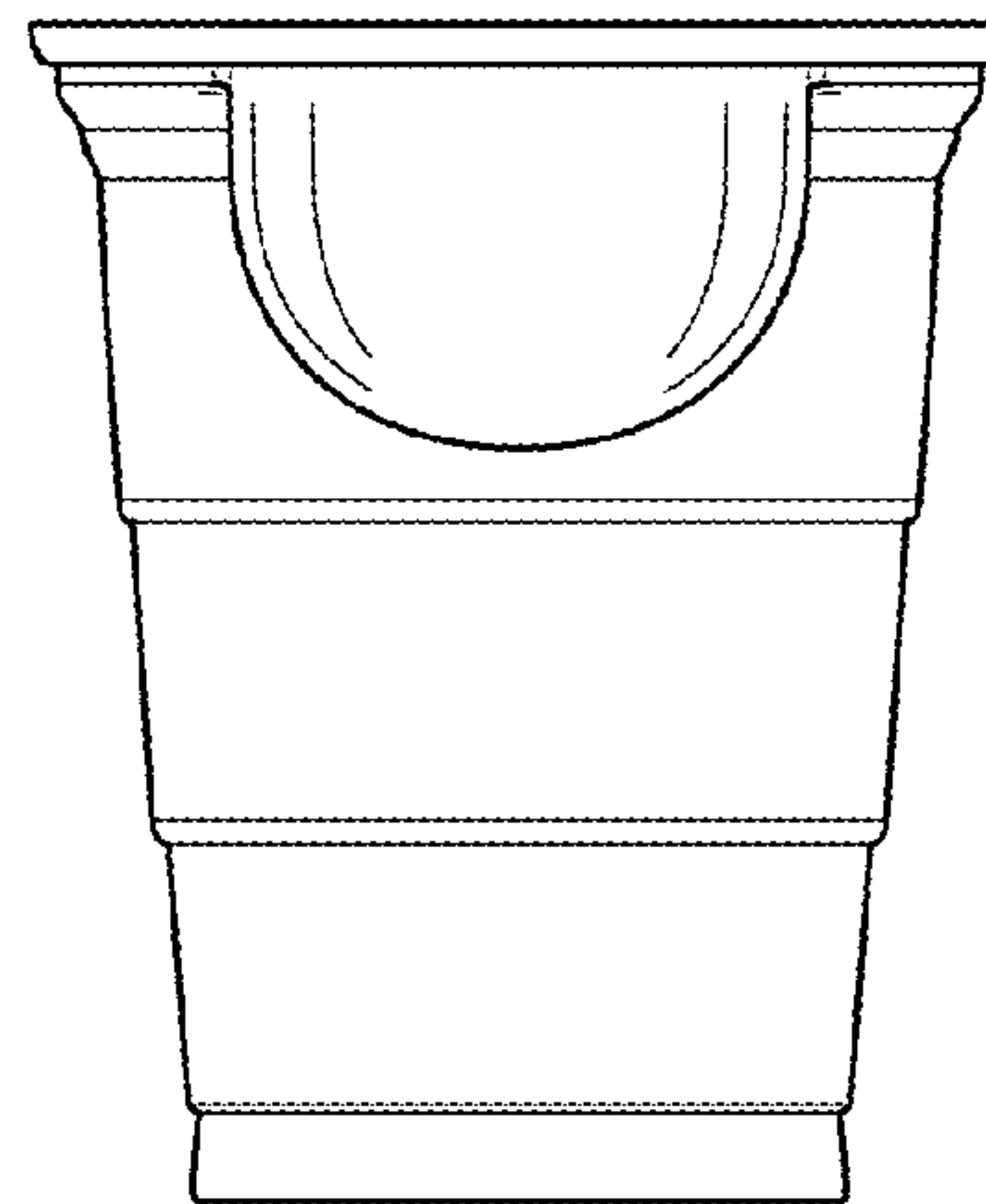


FIG. 3