



US00D780565S

(12) **United States Design Patent**  
**Stadler**

(10) **Patent No.:** **US D780,565 S**

(45) **Date of Patent:** **\*\* Mar. 7, 2017**

(54) **CLAMPING CONNECTOR**

(71) Applicant: **Hermann Stadler**, Donaueschingen (DE)

(72) Inventor: **Hermann Stadler**, Donaueschingen (DE)

(73) Assignee: **MCQ TECH GMBH**, Blumberg (DE)

(\*\*) Term: **14 Years**

(21) Appl. No.: **29/493,329**

(22) Filed: **Jun. 9, 2014**

(30) **Foreign Application Priority Data**

Jan. 10, 2014 (EM) ..... DM/082 611

(51) **LOC (10) Cl.** ..... **08-08**

(52) **U.S. Cl.**  
USPC ..... **D8/394**; D13/133; D13/149

(58) **Field of Classification Search**  
USPC ..... D8/396, 394, 356; D23/262; 24/274 R, 24/279, 276; 285/252, 253, 410, 364, 407  
CPC .... A62C 13/78; A47K 10/14; A47G 25/0657; A47G 1/21; E05C 19/145; B63B 19/24; F16L 33/12; F16L 33/08; F16L 33/02  
See application file for complete search history.

(56) **References Cited**

**U.S. PATENT DOCUMENTS**

D277,749 S \* 2/1985 Todd ..... D13/149  
D353,380 S \* 12/1994 Baum ..... D13/147

D397,323 S \* 8/1998 Tulley ..... D13/147  
D400,859 S \* 11/1998 Tulley ..... D13/147  
D699,679 S \* 2/2014 Sticker ..... D13/133  
D705,731 S \* 5/2014 Zhong ..... D13/133  
D729,742 S \* 5/2015 Wu ..... D13/149  
2014/0130317 A1\* 5/2014 Bermes ..... B25B 25/00  
24/69 CT  
2015/0117975 A1\* 4/2015 Wright ..... B60P 3/079  
410/103  
2016/0130036 A1\* 5/2016 Coyle ..... F24D 3/1008  
220/475

\* cited by examiner

*Primary Examiner* — John Windmuller

(74) *Attorney, Agent, or Firm* — Andrew F. Young, Esq.;  
Lackebach Siegel, LLP

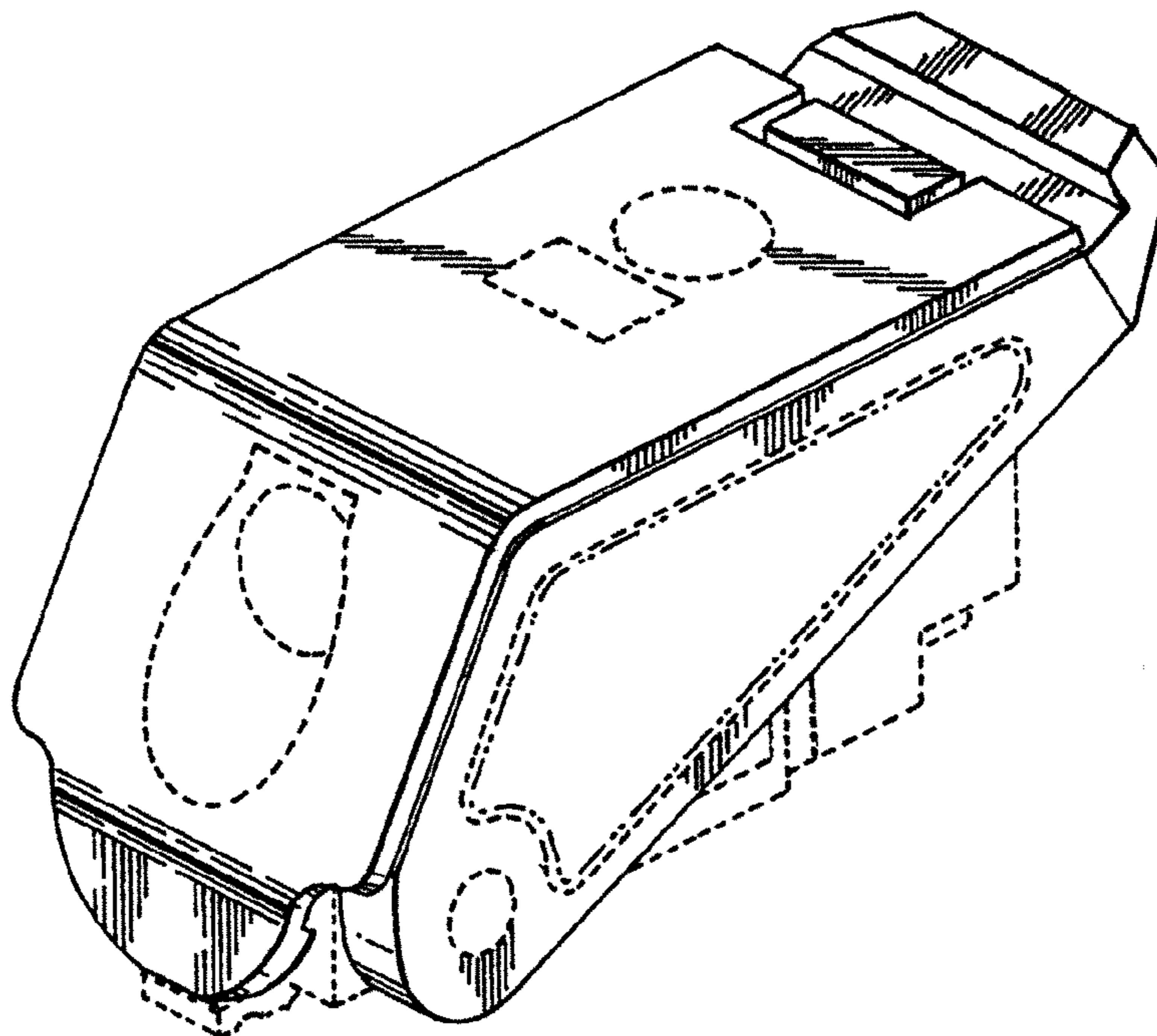
(57) **CLAIM**

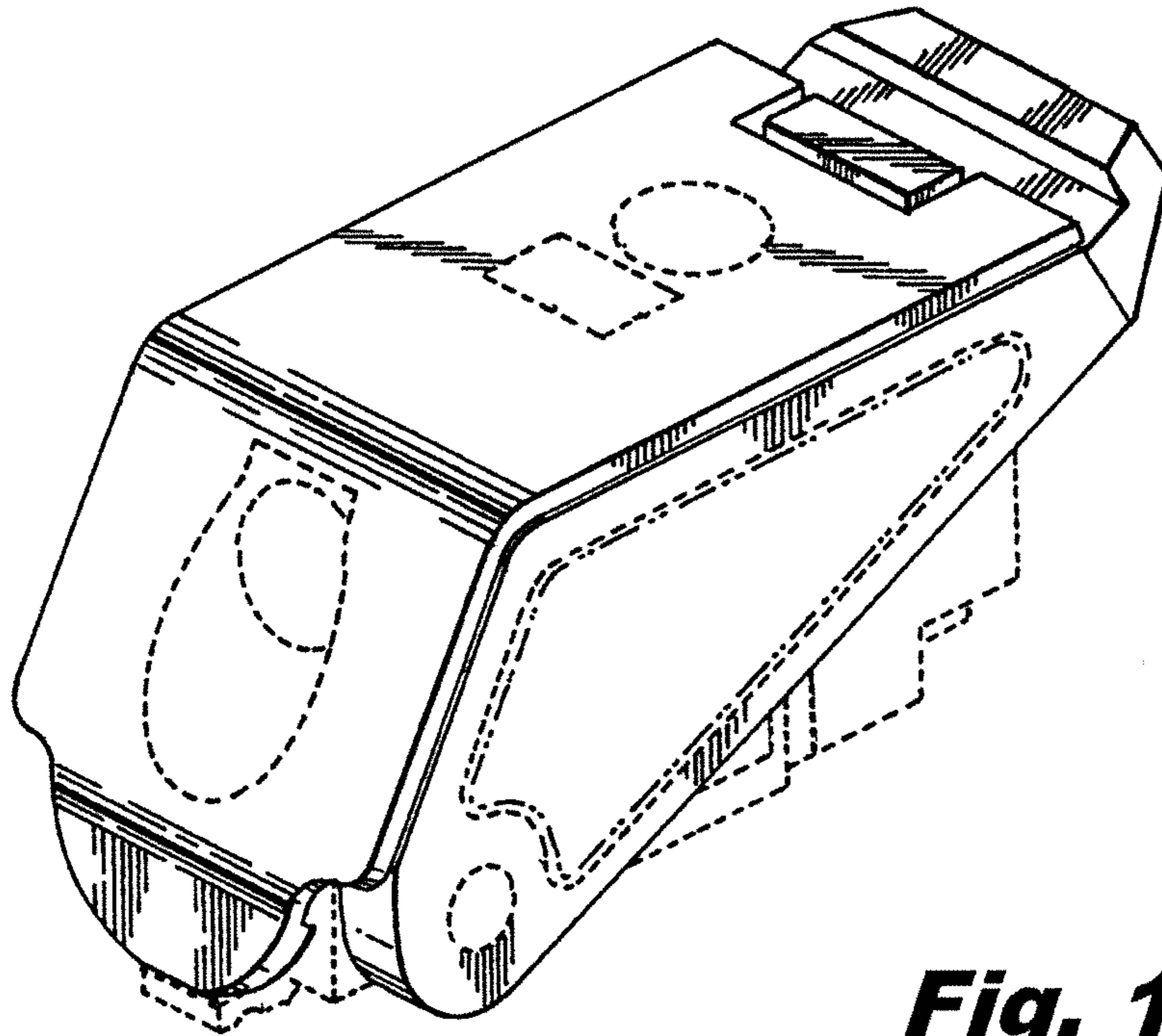
The ornamental design for clamping connector, as shown and described.

**DESCRIPTION**

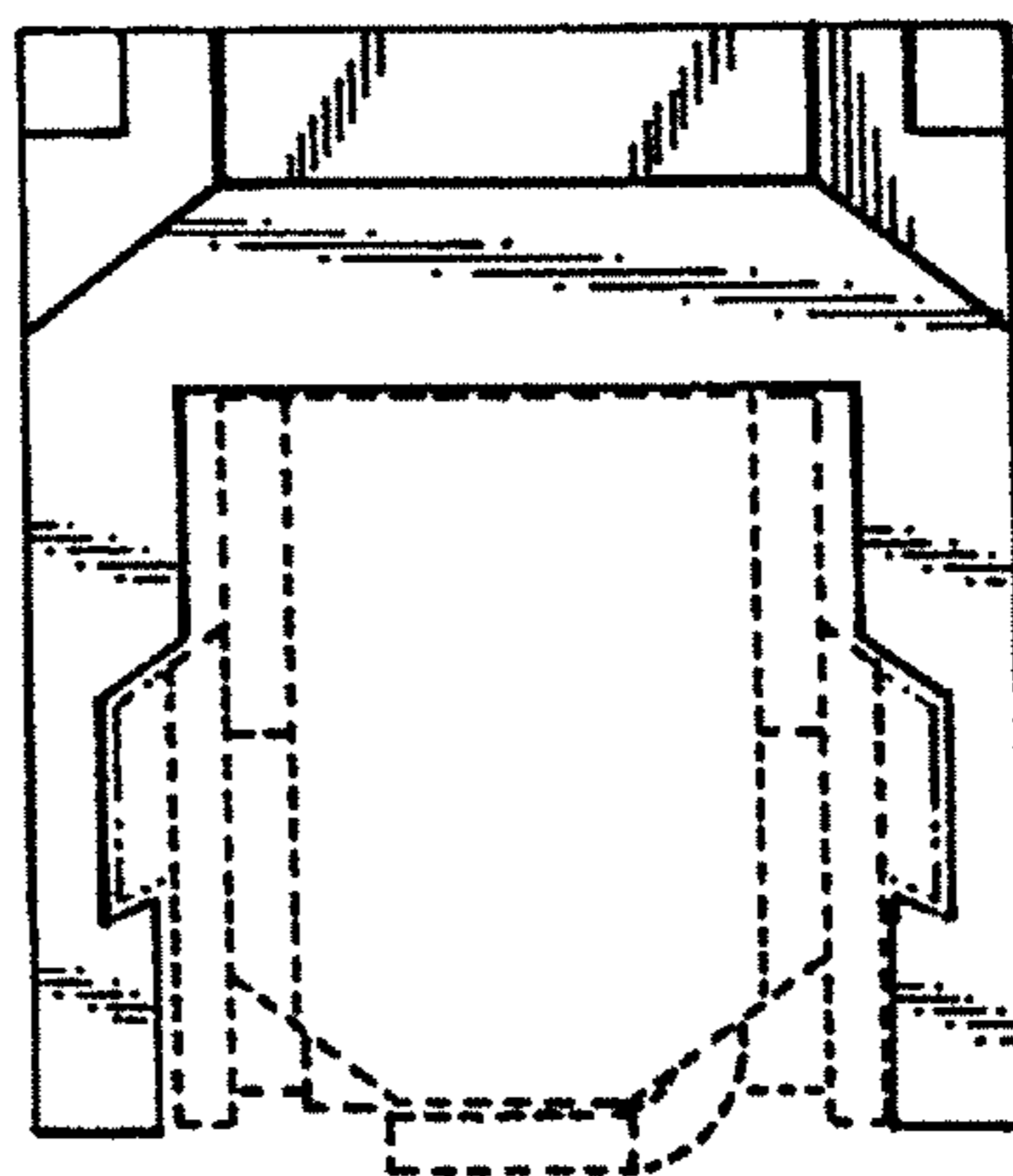
FIG. 1 is a perspective view of the present clamping connector invention.  
FIG. 2 is a right side elevation view of FIG. 1.  
FIG. 3 is a front elevation view of FIG. 1.  
FIG. 4 is a bottom plan view of FIG. 1.  
FIG. 5 is a top plan view of FIG. 1.  
FIG. 6 is a left side elevation view of FIG. 1; and,  
FIG. 7 is a rear elevation view of FIG. 1.  
The broken lines represent portions of the clamping connector that form no part of the claimed design.

**1 Claim, 3 Drawing Sheets**

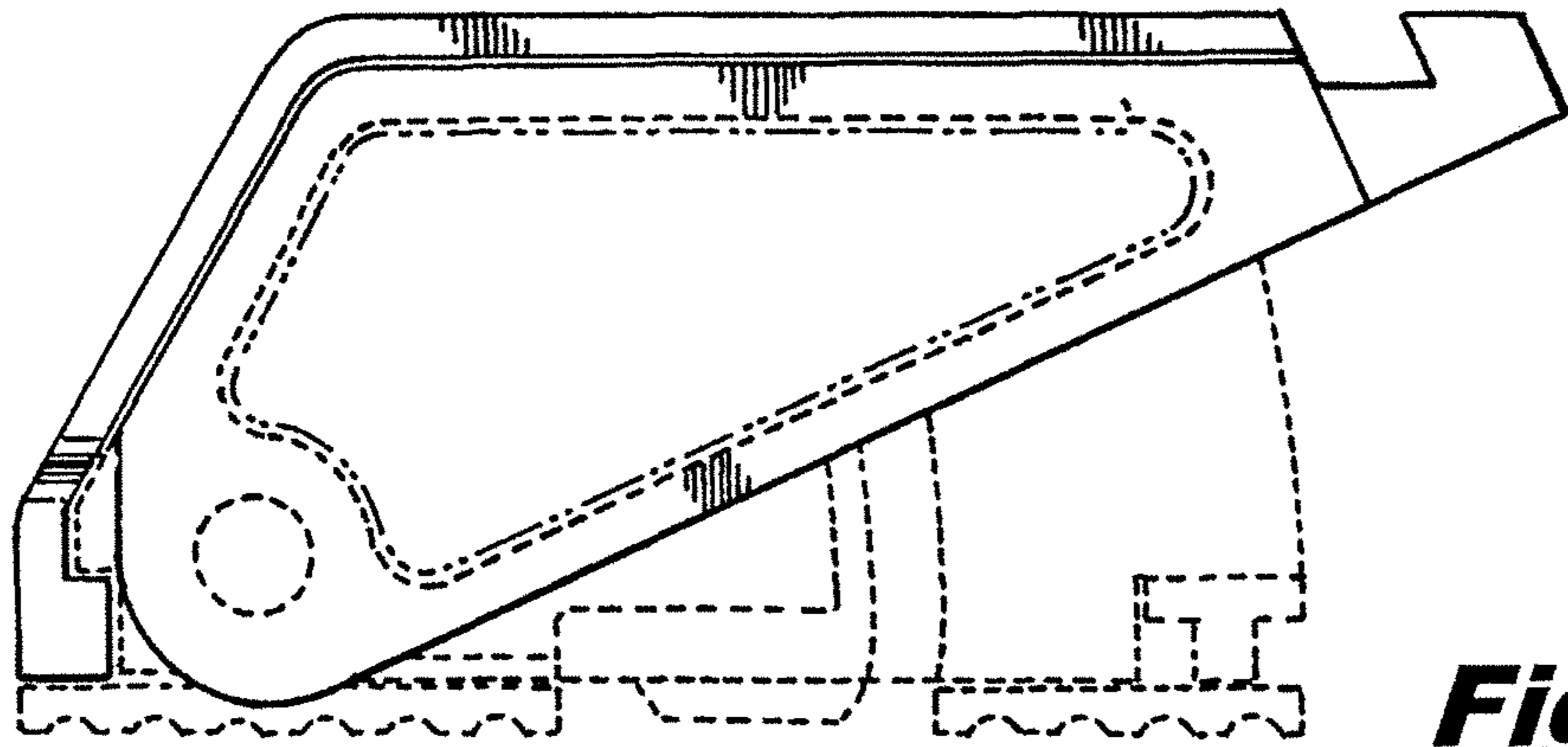




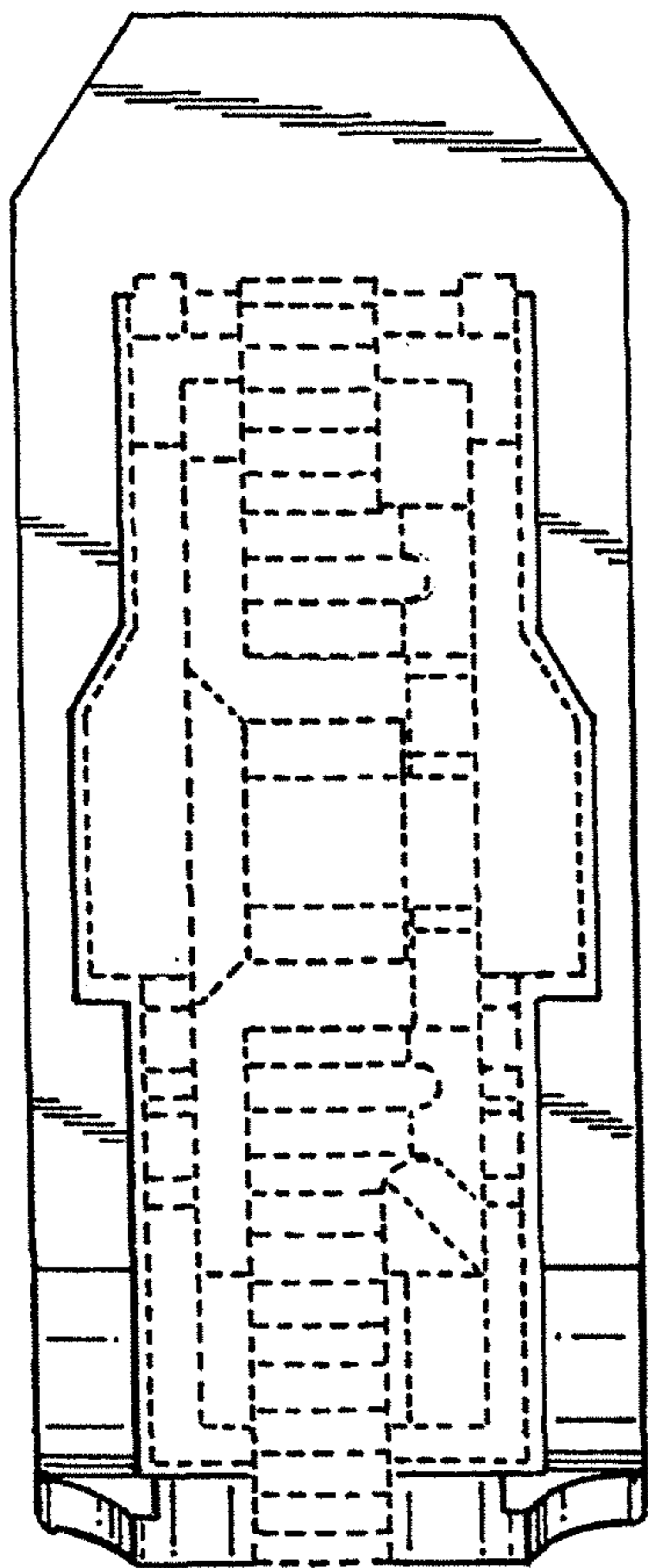
**Fig. 1**



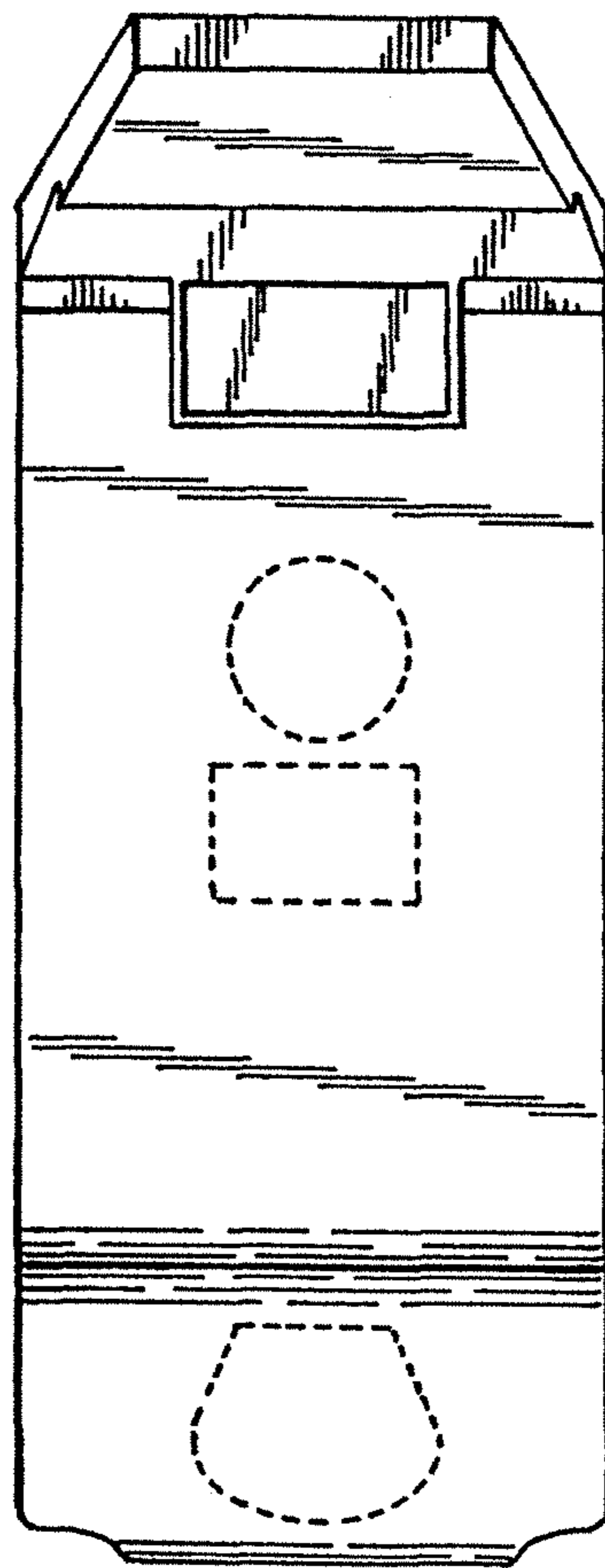
**Fig. 2**



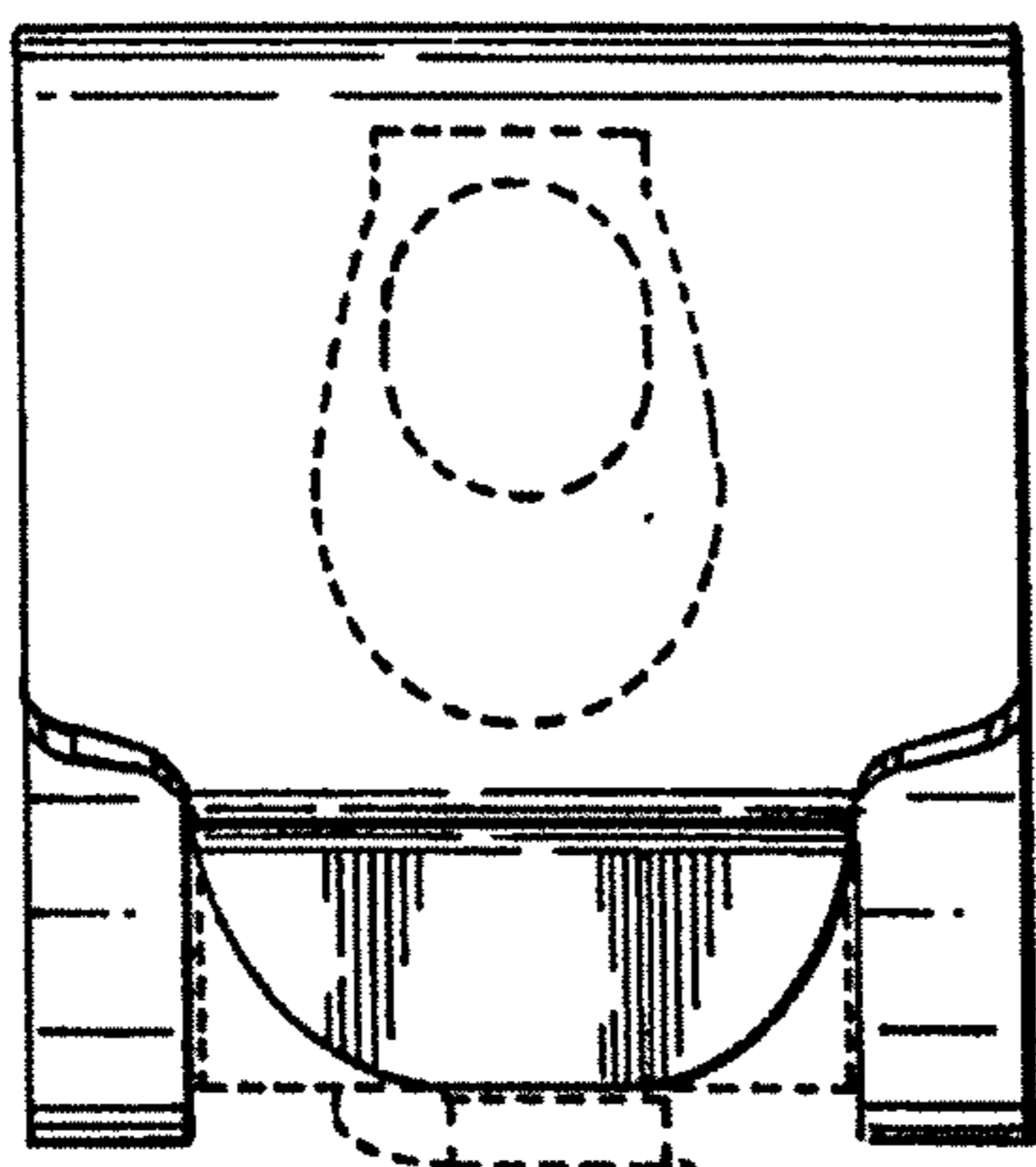
**Fig. 3**



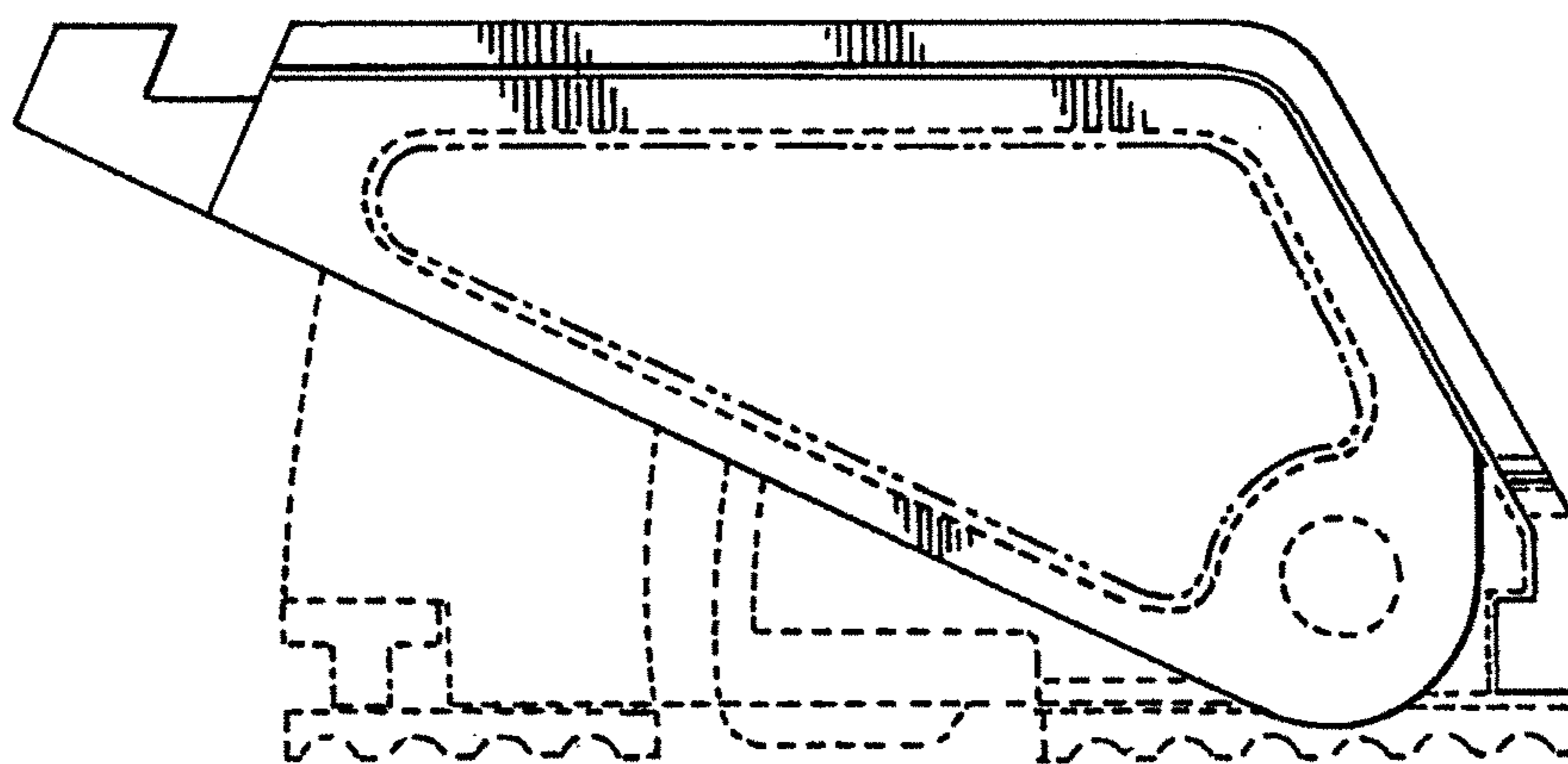
**Fig. 4**



**Fig. 5**



**Fig. 6**



**Fig. 7**