



US00D780564S

(12) **United States Design Patent**  
**Baiz et al.**

(10) **Patent No.:** **US D780,564 S**  
(45) **Date of Patent:** **\*\* Mar. 7, 2017**

(54) **LUG NUT**

(71) Applicants: **Enrique J. Baiz**, Miramar, FL (US);  
**Oswaldo Izquierdo**, Homestead, FL (US)

(72) Inventors: **Enrique J. Baiz**, Miramar, FL (US);  
**Oswaldo Izquierdo**, Homestead, FL (US)

(\*\*) **Term:** **15 Years**

(21) **Appl. No.:** **29/571,033**

(22) **Filed:** **Jul. 13, 2016**

(51) **LOC (10) Cl.** ..... **08-08**

(52) **U.S. Cl.**  
USPC ..... **D8/387**; D8/397

(58) **Field of Classification Search**  
USPC ..... D8/382, 387, 388, 391, 393, 397, 399;  
D12/202, 213, 223, 400, 207, 208  
CPC ..... F16B 37/00; F16B 37/14; F16B 37/145;  
F16B 35/04; F16B 35/06; F16B 41/00;  
F16B 41/002; F16B 41/005; B60B 23/06;  
B60B 23/08; Y10S 411/91; Y10S  
411/914; Y10S 411/915; Y10T 70/5867  
See application file for complete search history.

(56) **References Cited**

U.S. PATENT DOCUMENTS

1,115,307	A *	10/1914	Guffee	.....	F16B 41/002 29/235
3,222,976	A *	12/1965	Holman	.....	F16B 23/0061 301/35.623
D225,970	S *	1/1973	O'Donnell	.....	D8/387
3,817,146	A *	6/1974	Scott	.....	F16B 35/044 29/464
D268,565	S *	4/1983	Mortus	.....	D8/397
D292,780	S *	11/1987	Galask	.....	D11/48
D427,511	S *	7/2000	Weld	.....	D8/397
D460,398	S *	7/2002	Berry	.....	D12/213
D469,345	S *	1/2003	Berry	.....	D8/382

D549,568	S *	8/2007	Schaeffer	.....	D8/397
7,311,621	B2 *	12/2007	Sullivan	.....	F42B 6/08 473/583
7,392,674	B1 *	7/2008	Grote	.....	F16B 37/14 411/910
D590,243	S *	4/2009	Bush	.....	D8/397
D720,208	S *	12/2014	Jordan	.....	D8/397
D731,300	S *	6/2015	Vargas	.....	D8/397
D738,265	S *	9/2015	McNeeley	.....	D12/118

(Continued)

OTHER PUBLICATIONS

112MM Long CNC Machined Forged Steel Extended Standard Spike Lug Nuts With Anodized Aluminum, Image post date: Unknown, Site visited on Dec. 22, 2016, <<https://www.vmsracing.com/products/1-2-20-112mm-long-cnc-machined-forged-steel-extended-lug-nuts-with-anodized-aluminum-standard-spike?variant=21637628225>>.\*

(Continued)

*Primary Examiner* — Holly Baynham  
*Assistant Examiner* — Ieisha Price  
(74) *Attorney, Agent, or Firm* — QuickPatents, LLC;  
Kevin Prince

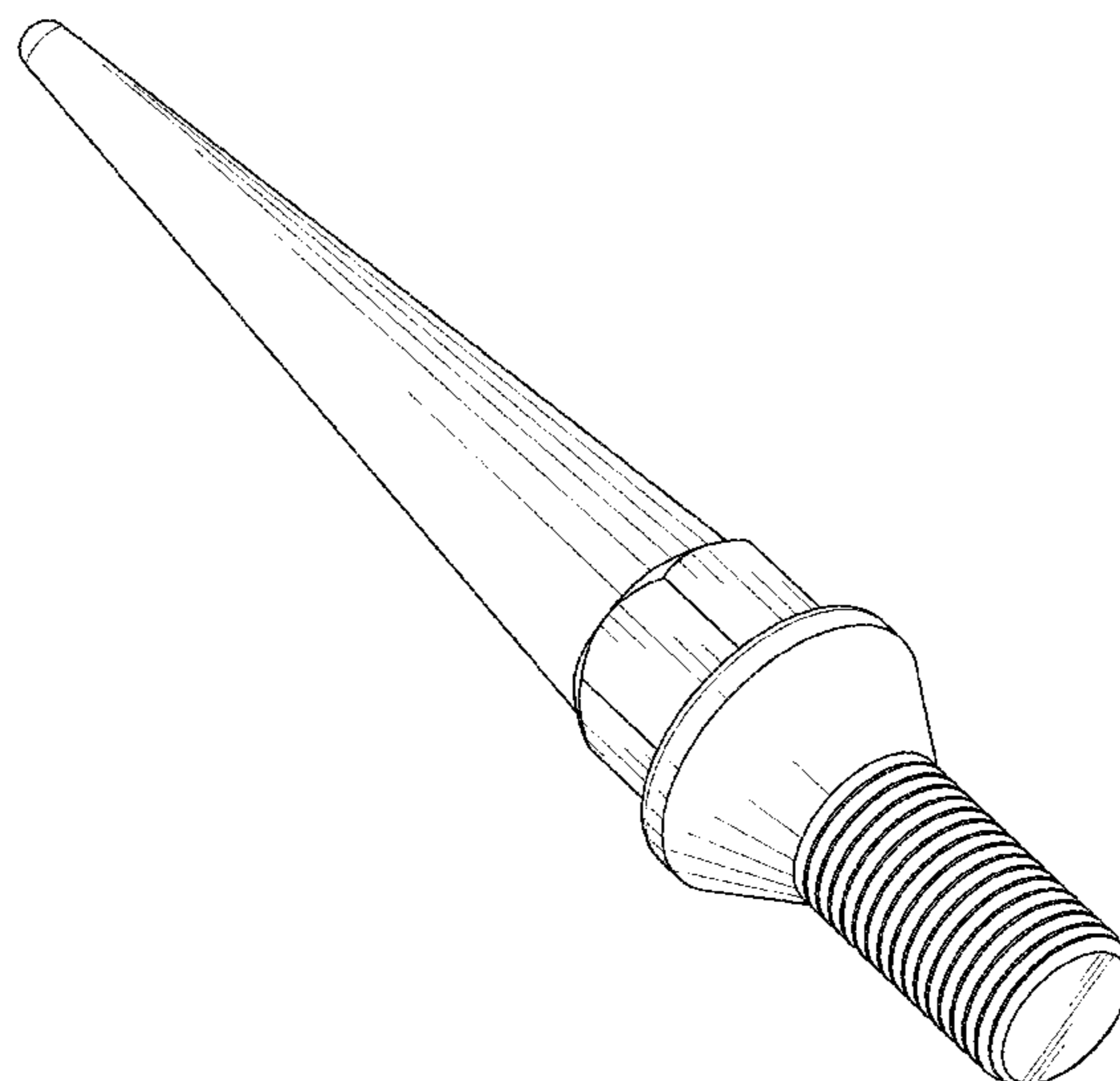
(57) **CLAIM**

We claim the ornamental design for a lug nut, as shown and described.

DESCRIPTION

FIG. 1 is a bottom perspective view of a lug nut, showing our new design;  
FIG. 2 is a front elevational view thereof;  
FIG. 3 is a rear elevational view thereof;  
FIG. 4 is a right-side elevational view thereof;  
FIG. 5 is a left-side elevational view thereof;  
FIG. 6 is a top plan view thereof; and,  
FIG. 7 is a bottom plan view thereof.

**1 Claim, 4 Drawing Sheets**



(56)

**References Cited**

U.S. PATENT DOCUMENTS

D746,129 S \* 12/2015 Kishida ..... D8/399

OTHER PUBLICATIONS

112MM Long CNC Machined Forged Steel Extended Spiral Spike Lug Nuts With Anodized Aluminum, Image post date: Unknown, Site visited on Dec. 22, 2016, <<https://www.vmsracing.com/products/1-2-20-112mm-long-cnc-machined-forged-steel-extended-lug-nuts-with-anodized-aluminum-spiral-spike?variant=21639184449>>.\*

89MM Long CNC Machined Forged Steel Extended Lug Nuts With Anodized Aluminum Standard Spike, Image post date: Unknown, Site visited on Dec. 22, 2016, <<https://www.vmsracing.com/products/1-2-20-89mm-long-cnc-machined-forged-steel-extended-lug-nuts-with-anodized-aluminum-standard-spike?variant=23143413121>>.\*

\* cited by examiner

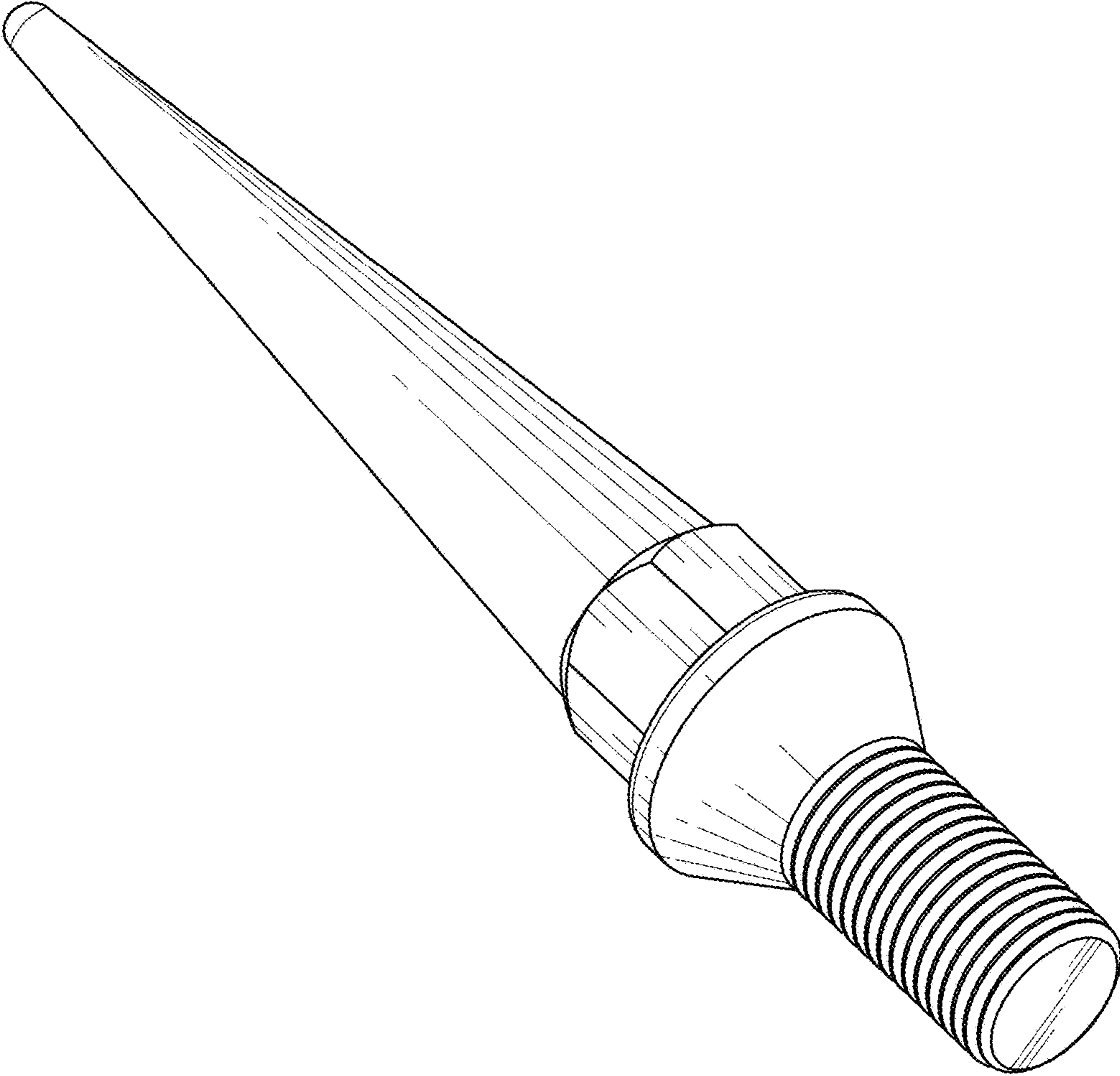


FIG. 1

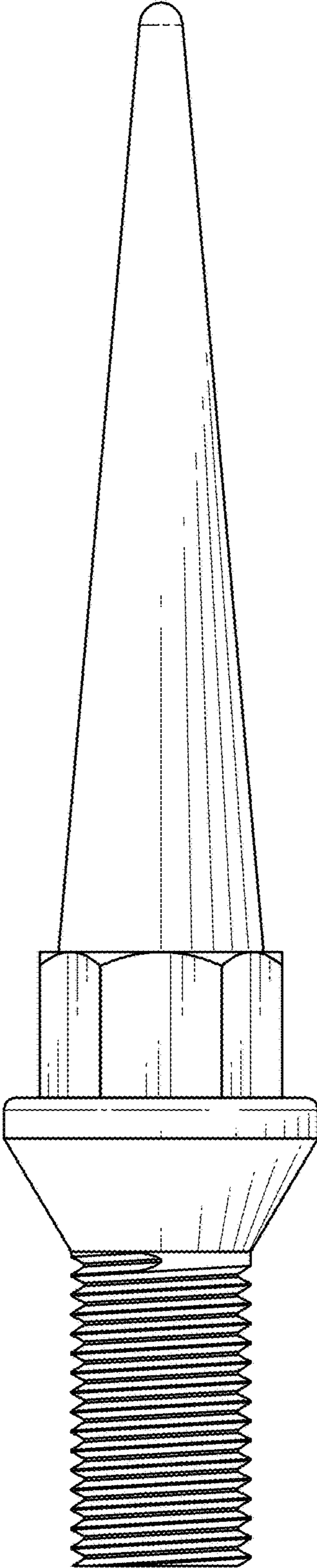


FIG. 2

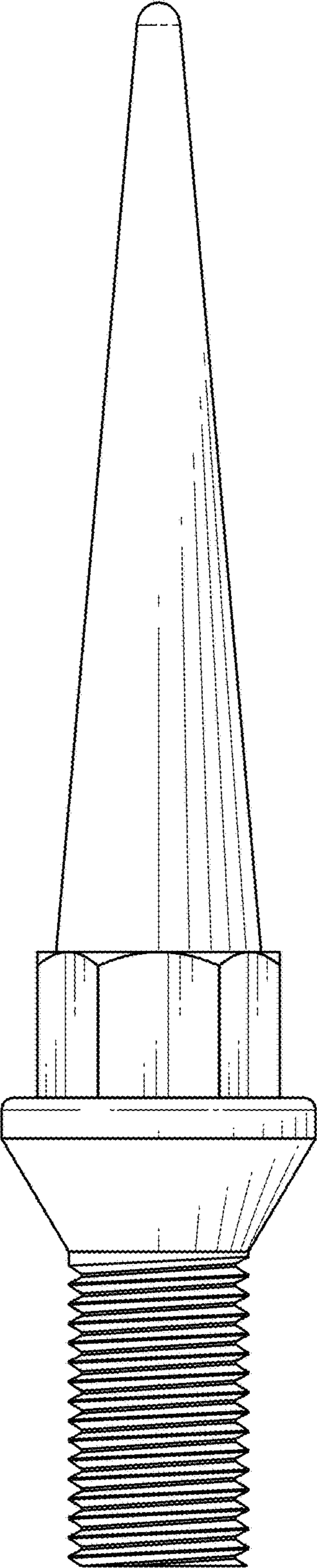


FIG. 3

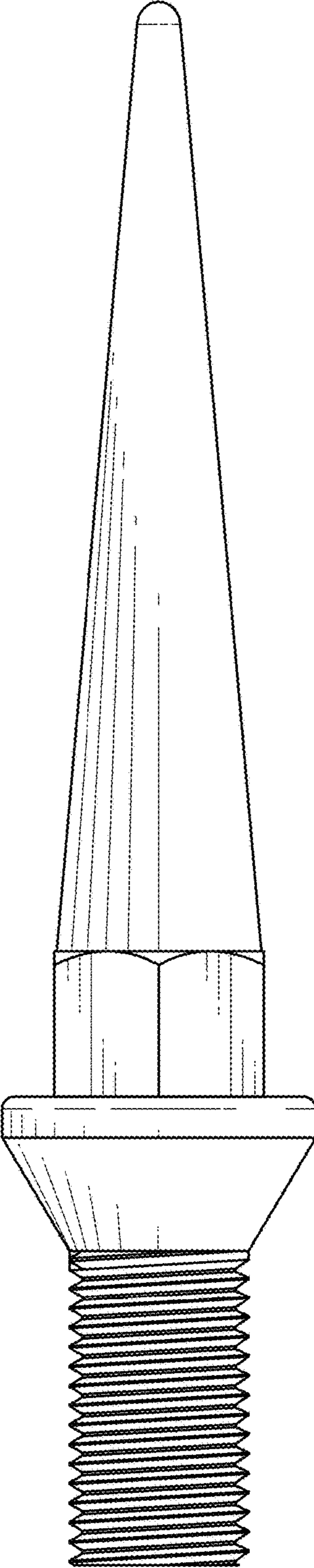


FIG. 4

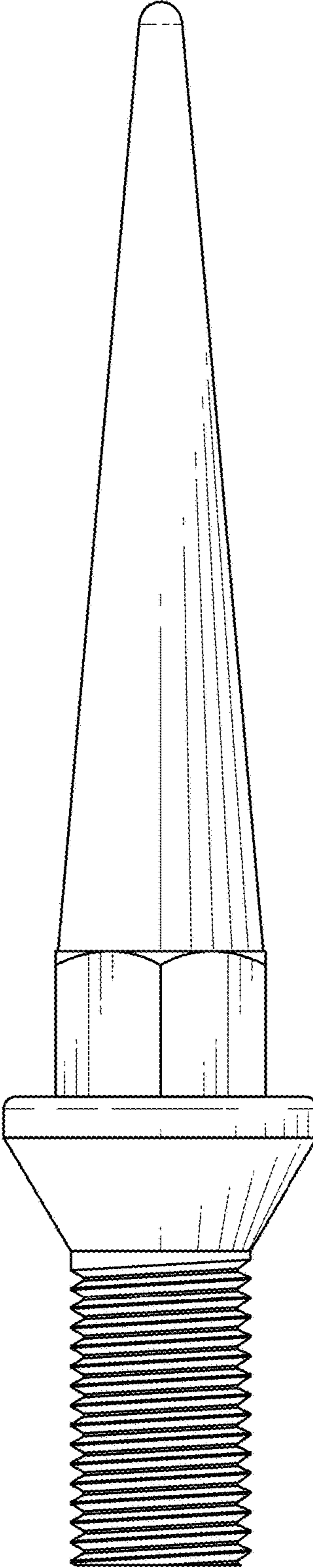


FIG. 5

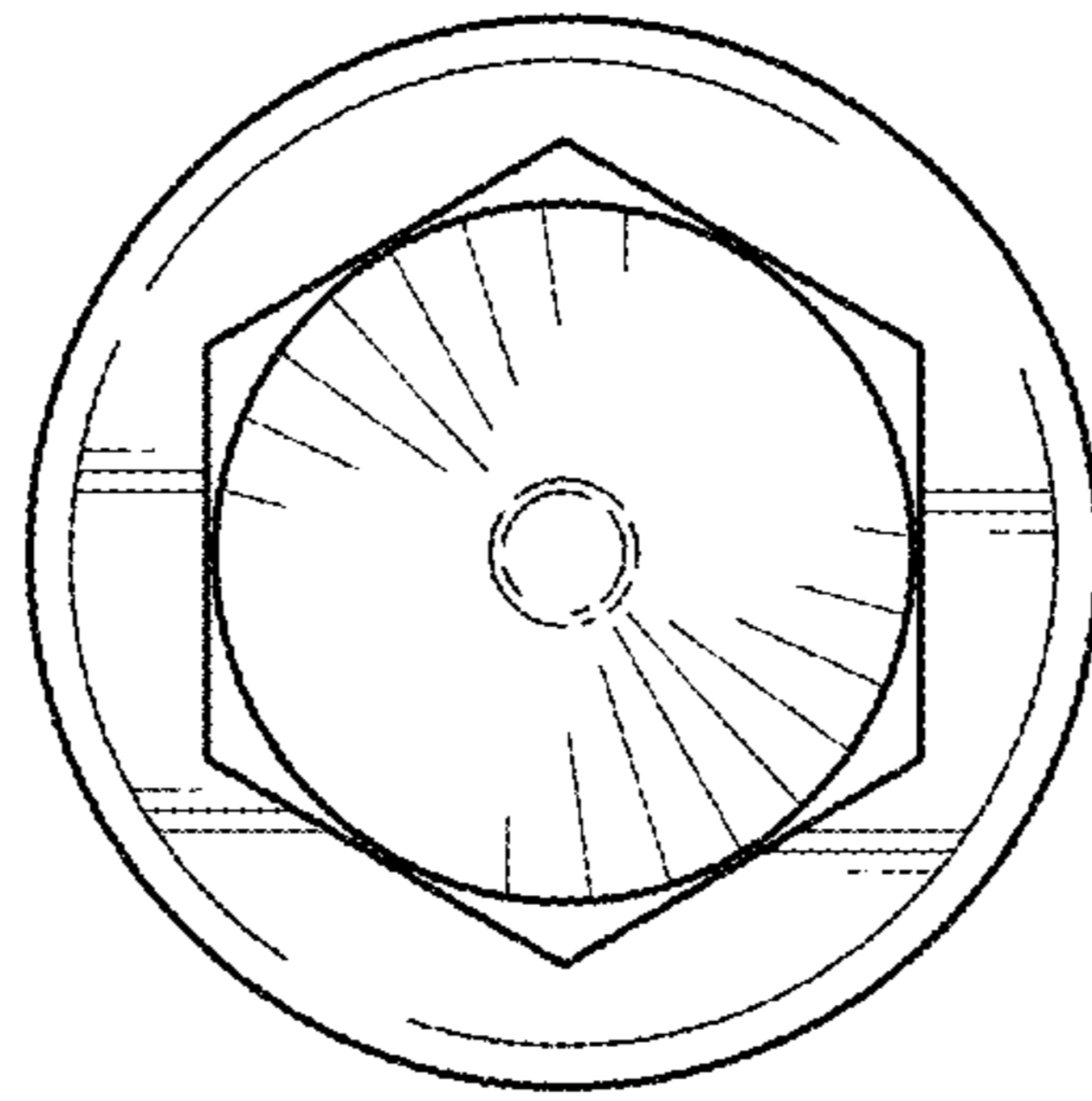


FIG. 6

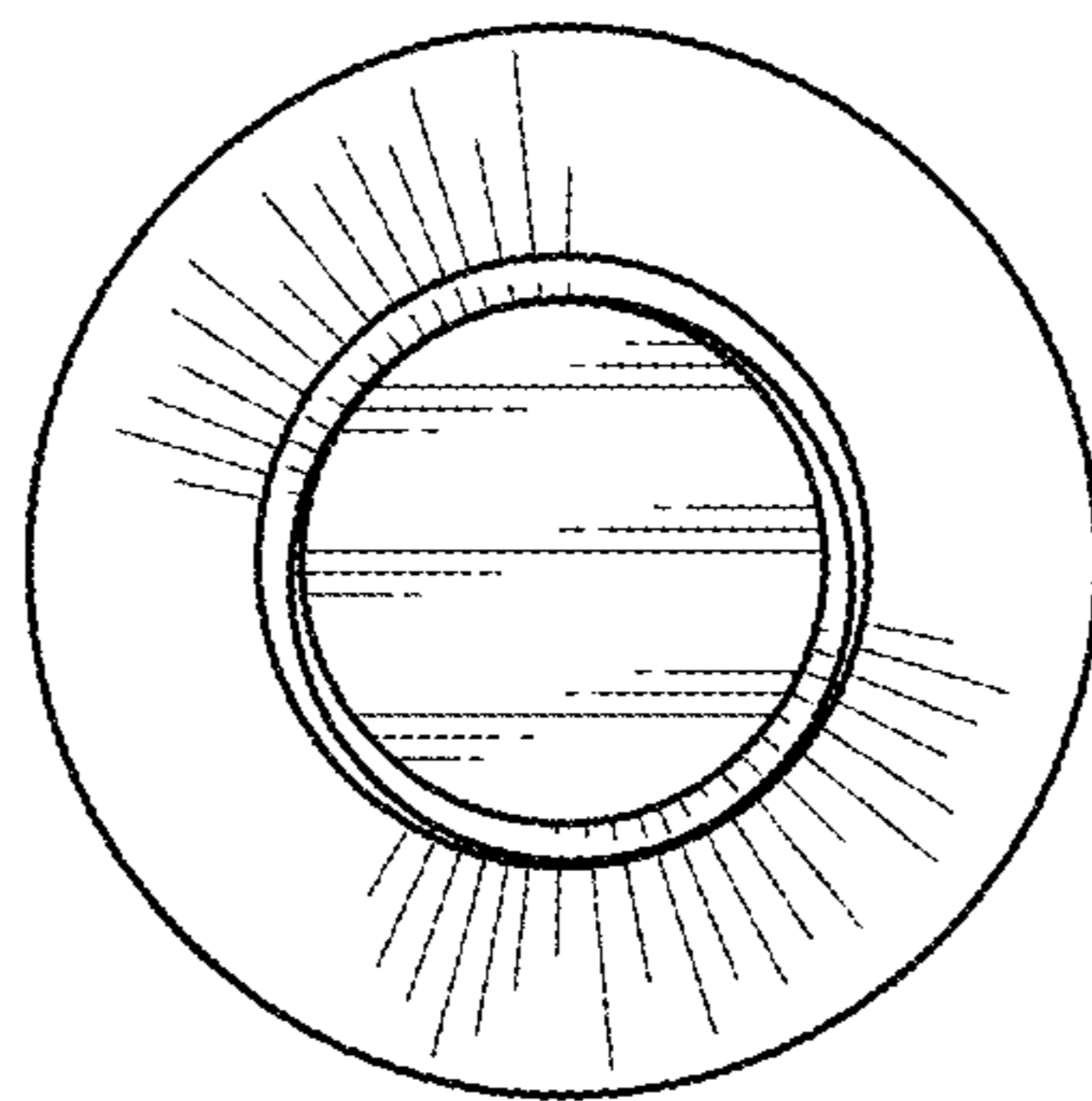


FIG. 7