



US00D780562S

(12) **United States Design Patent**
Baiz et al.

(10) **Patent No.:** **US D780,562 S**
(45) **Date of Patent:** **** Mar. 7, 2017**

- (54) **LUG NUT**
- (71) Applicants: **Enrique J. Baiz**, Miramar, FL (US);
Oswaldo Izquierdo, Homestead, FL (US)
- (72) Inventors: **Enrique J. Baiz**, Miramar, FL (US);
Oswaldo Izquierdo, Homestead, FL (US)
- (**) Term: **15 Years**
- (21) Appl. No.: **29/565,384**
- (22) Filed: **May 19, 2016**

D268,565 S *	4/1983	Mortus	D8/397
4,406,140 A *	9/1983	Wolter	F16B 41/005 70/231
4,420,848 A *	12/1983	Becker	B23K 11/3081 470/22
4,813,835 A *	3/1989	Toth	B60B 7/00 411/429
4,850,776 A *	7/1989	Toth	B23K 11/14 411/376
5,302,069 A *	4/1994	Toth	B60B 7/00 411/373
D484,785 S *	1/2004	Plumer	D8/397
D488,715 S *	4/2004	Plumer	D8/397
D510,259 S *	10/2005	Yoshimoto	D8/397
D590,243 S *	4/2009	Bush	D8/397
8,016,535 B1 *	9/2011	Roberts	F16B 41/005 411/373
D711,732 S *	8/2014	Schermer	D8/397

Related U.S. Application Data

- (63) Continuation-in-part of application No. 29/546,163, filed on Nov. 19, 2015.
- (51) **LOC (10) Cl.** **08-08**
- (52) **U.S. Cl.**
USPC **D8/387**; D8/397
- (58) **Field of Classification Search**
USPC D8/382, 387, 388, 391, 393, 397, 399;
D12/202, 213, 223, 400, 207, 208
CPC F16B 37/00; F16B 37/14; F16B 37/145;
F16B 35/04; F16B 35/06; F16B 41/00;
F16B 41/002; F16B 41/005; F16B 23/00;
B60B 23/06; B60B 23/08; B60B 27/065;
B60B 3/16; B60B 3/165; Y10S 411/91;
Y10S 411/914; Y10S 411/915; Y10T
70/5867
See application file for complete search history.

Primary Examiner — Sandra Snapp
Assistant Examiner — Ieisha Price
(74) *Attorney, Agent, or Firm* — Quickpatents, LLC;
Kevin Prince

(57) **CLAIM**

We claim the ornamental design for a lug nut, as shown and described.

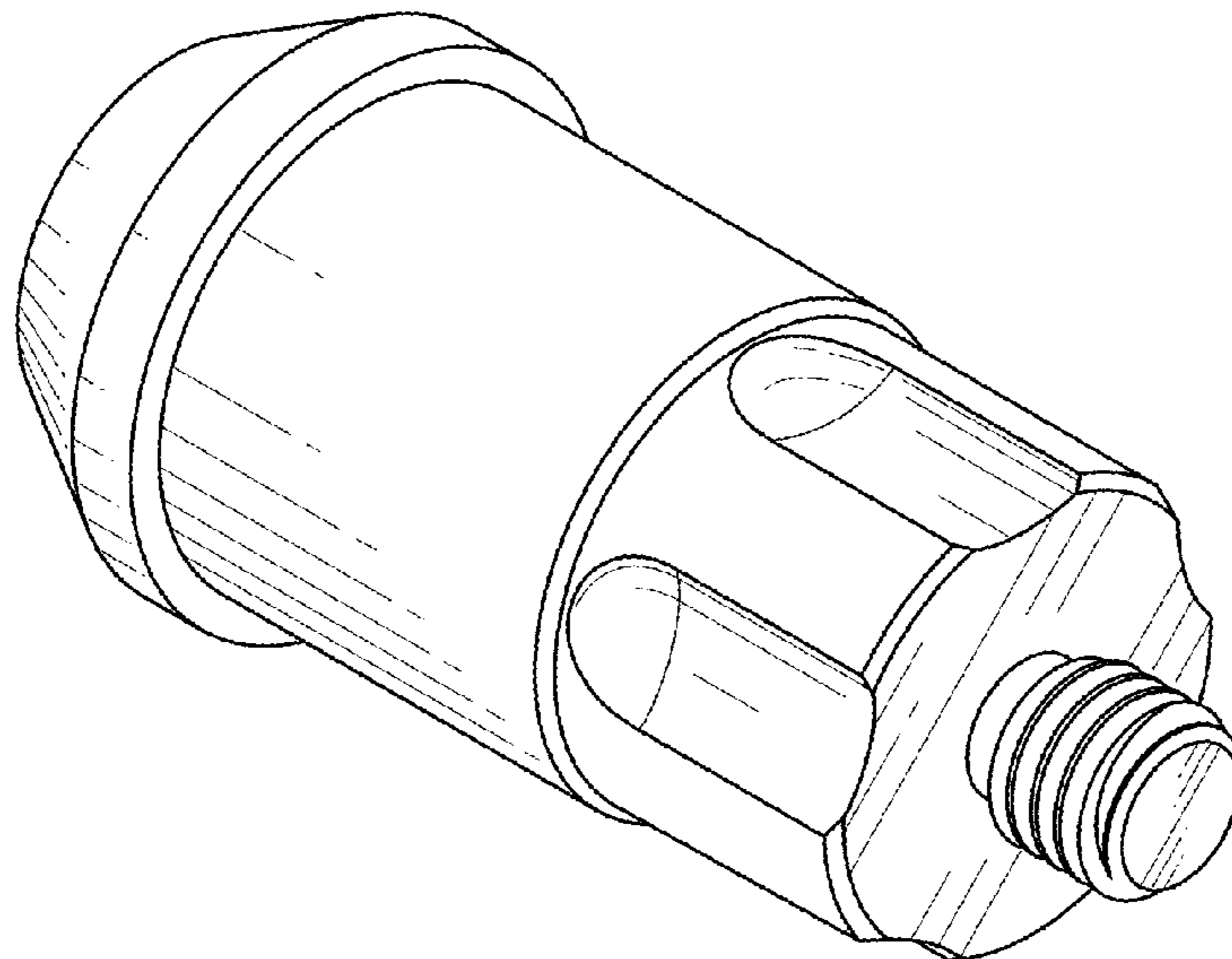
DESCRIPTION

FIG. 1 is a bottom perspective view of a lug nut, showing our new design;
FIG. 2 is a front elevational view thereof;
FIG. 3 is a rear elevational view thereof;
FIG. 4 is a left-side elevational view thereof, the right-side elevational view being a mirror image thereof;
FIG. 5 is a top plan view thereof;
FIG. 6 is a bottom plan view thereof; and,
FIG. 7 is a cross-sectional view thereof, taken along line 7-7 of FIG. 5.

(56) **References Cited**
U.S. PATENT DOCUMENTS

D208,428 S *	8/1967	Holliday	411/431
D234,486 S *	3/1975	Hale	D8/397
D243,154 S *	1/1977	Dieme	D8/387

1 Claim, 4 Drawing Sheets



(56)

References Cited

U.S. PATENT DOCUMENTS

D746,129 S * 12/2015 Kishida D8/399
2002/0098059 A1 * 7/2002 Schmidt F16B 37/14
411/399
2013/0071204 A1 * 3/2013 Hunter F16B 37/14
411/373

* cited by examiner

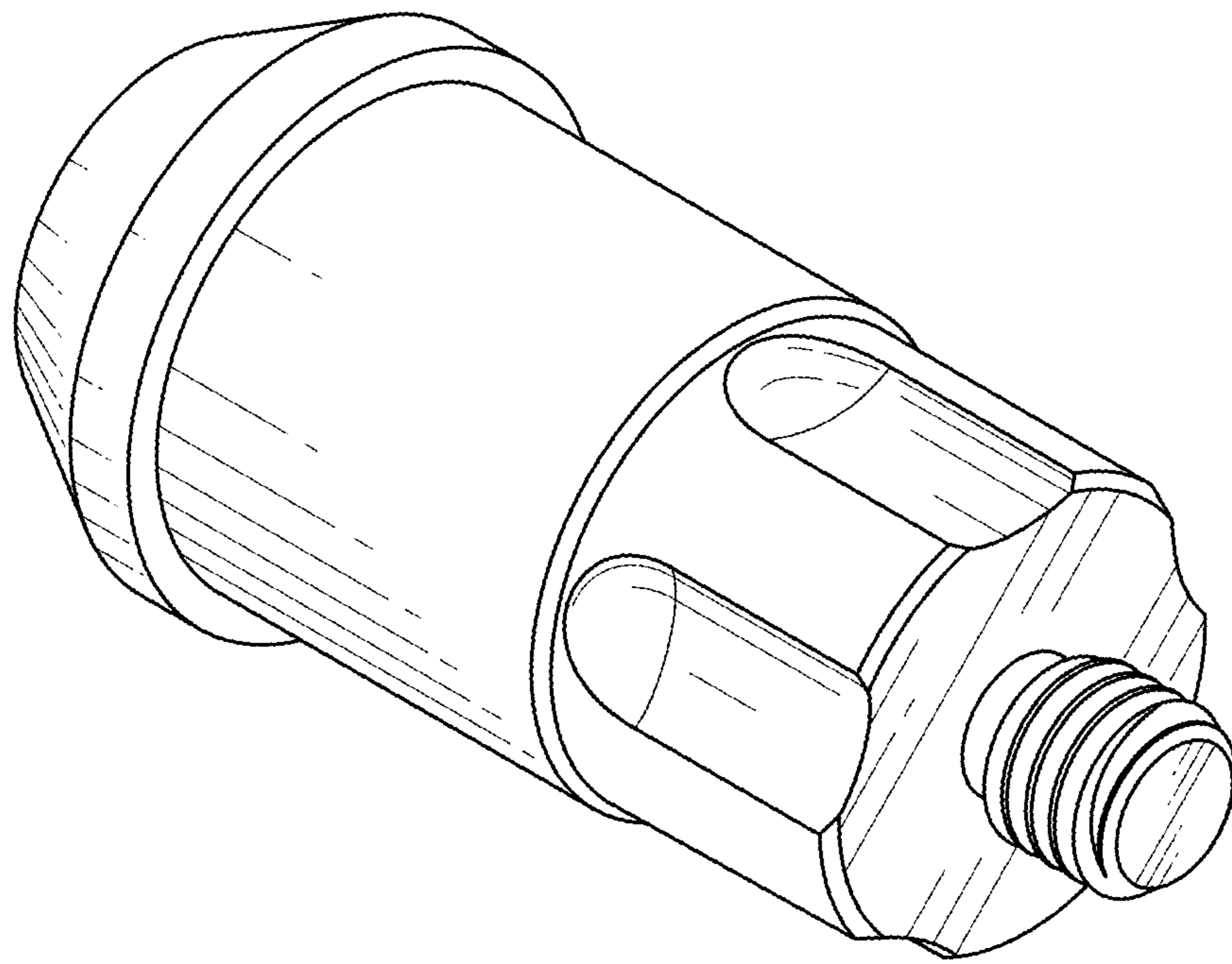


FIG. 1

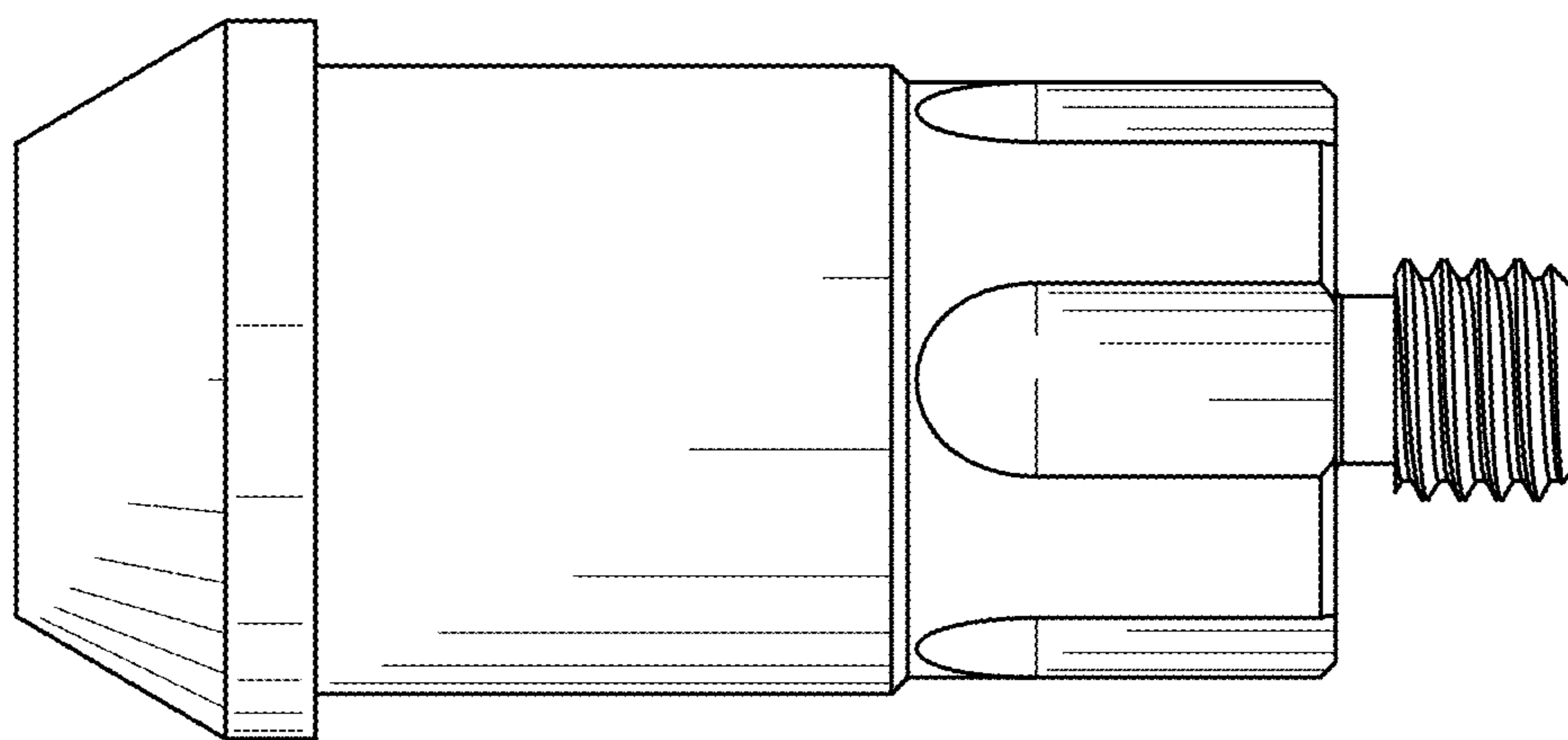


FIG. 2

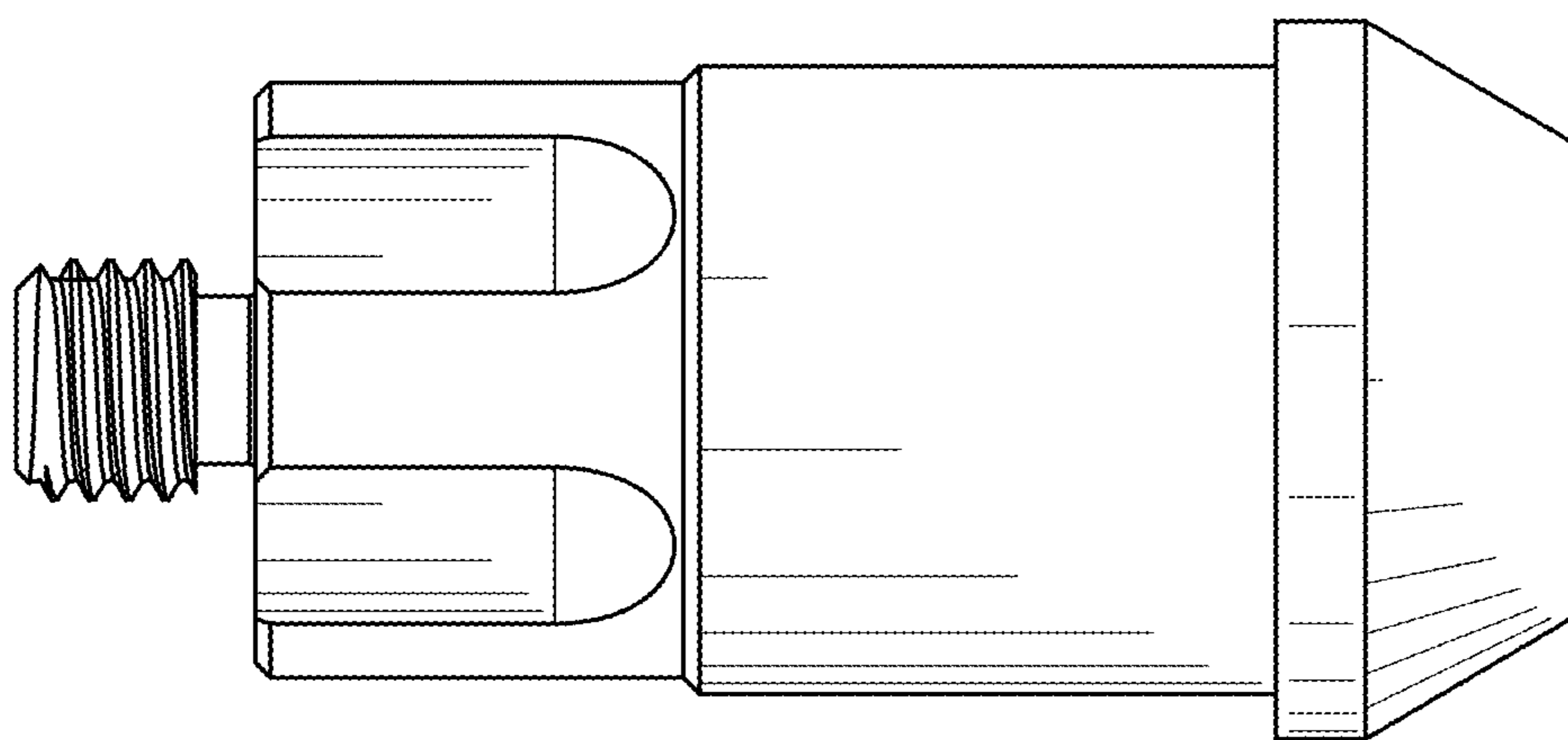


FIG. 3

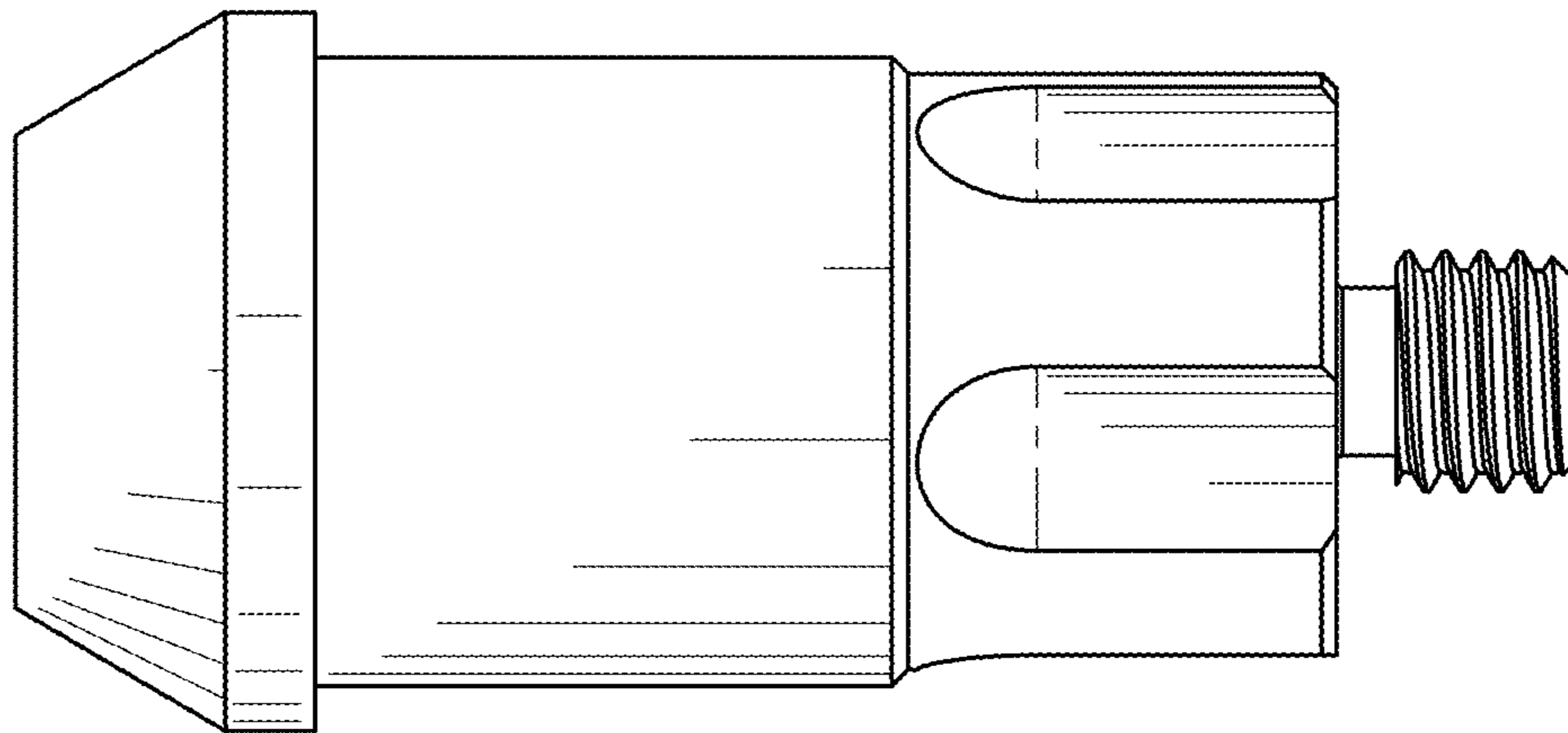


FIG. 4

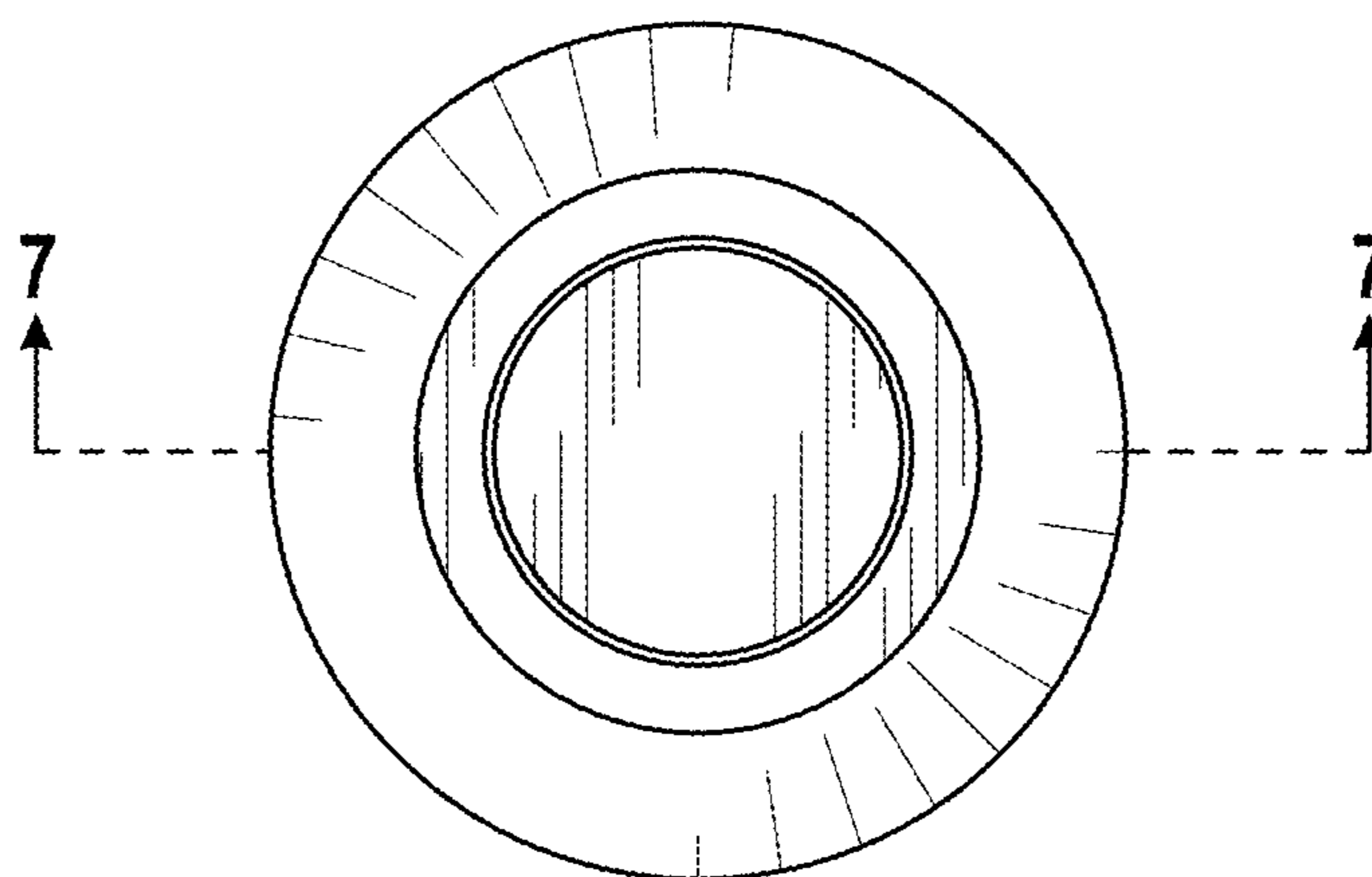


FIG. 5

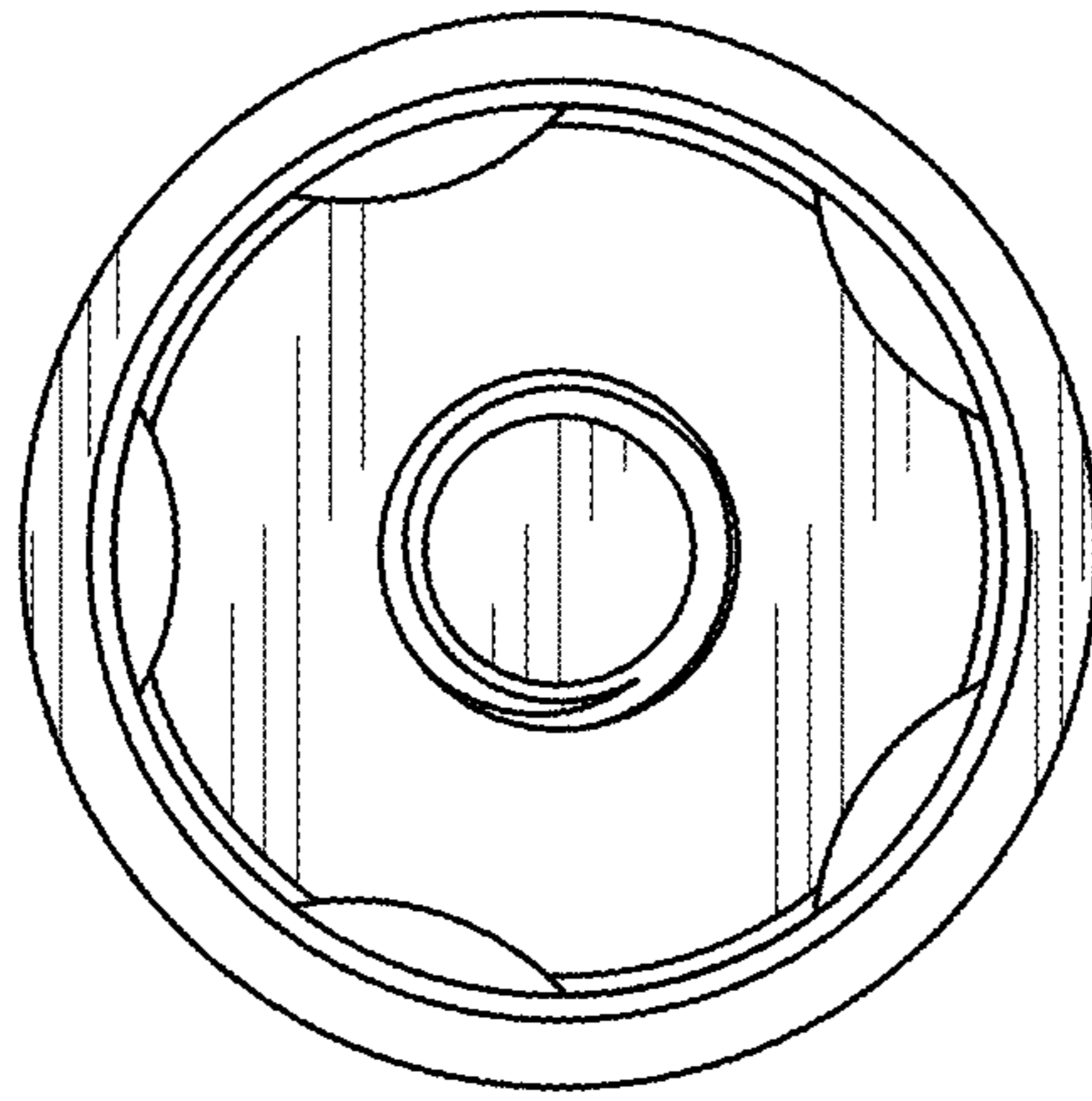


FIG. 6

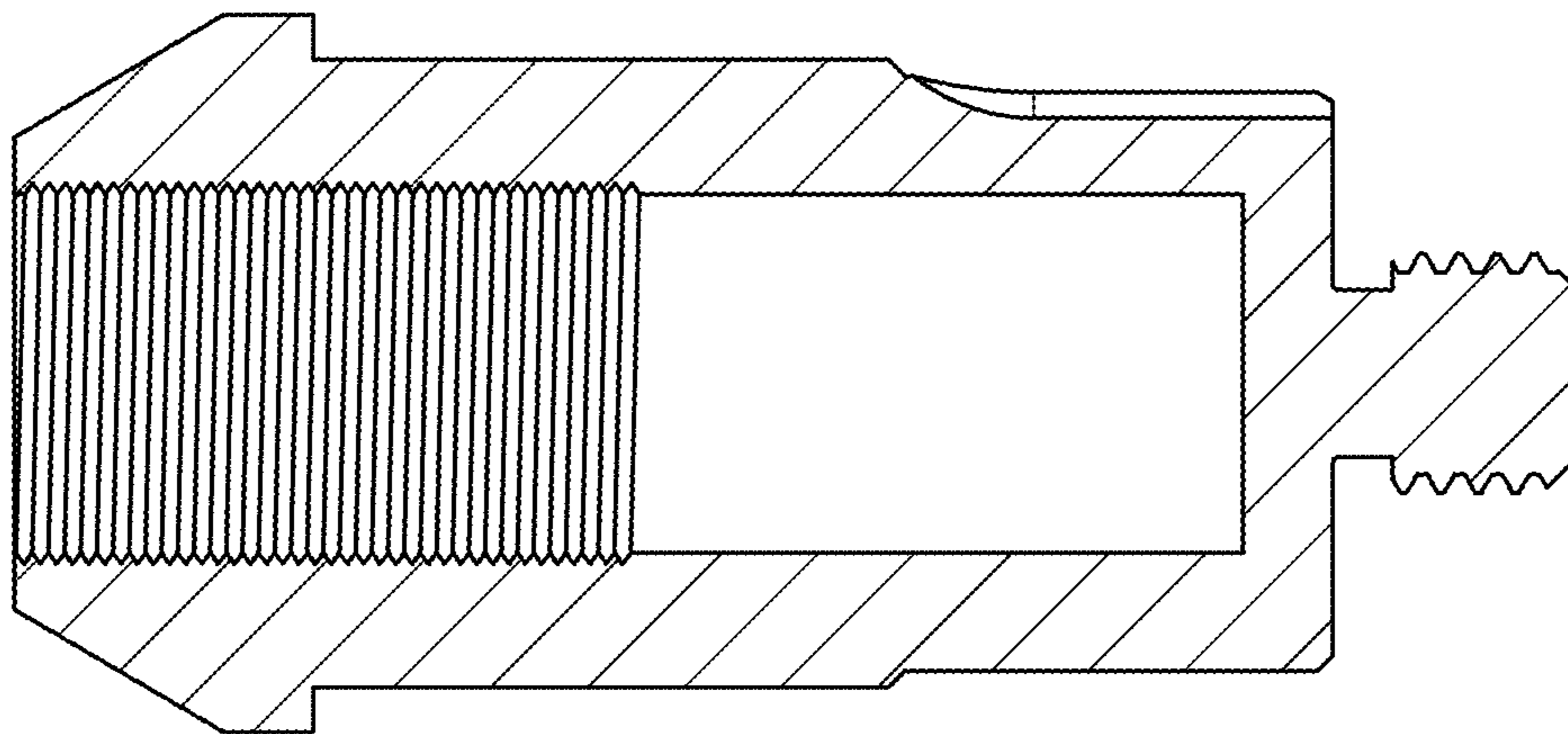


FIG. 7