



US00D780561S

(12) **United States Design Patent** (10) **Patent No.:** **US D780,561 S**  
**Buchart** (45) **Date of Patent:** **\*\* Mar. 7, 2017**

(54) **WHEEL COVER FASTENER**  
(71) Applicant: **Michael Buchart**, Sebring, FL (US)  
(72) Inventor: **Michael Buchart**, Sebring, FL (US)  
(\*\*) Term: **15 Years**  
(21) Appl. No.: **29/557,890**  
(22) Filed: **Mar. 14, 2016**

D341,757 S \* 11/1993 Folkrod ..... D8/14  
D357,357 S \* 4/1995 Ferber ..... D15/142  
D415,217 S \* 10/1999 Rudy ..... D21/503  
D449,767 S \* 10/2001 Fallandy ..... D8/14  
D553,203 S \* 10/2007 Glickman ..... D21/487  
D553,204 S \* 10/2007 Glickman ..... D21/487  
D730,794 S \* 6/2015 Ridges ..... D12/202  
D762,536 S \* 8/2016 Wurzer ..... D12/174  
D768,471 S \* 10/2016 Marquez ..... D8/382  
2015/0035345 A1\* 2/2015 Stuck ..... B60B 7/065  
301/37.34

(51) **LOC (10) Cl.** ..... **08-08**  
(52) **U.S. Cl.**  
USPC ..... **D8/382**; D12/213; D12/202  
(58) **Field of Classification Search**  
USPC ..... D8/14, 31, 71, 349, 354, 382, 499;  
D12/501, 604, 202, 204, 213, 223  
CPC .... B62D 25/184; B62D 25/186; B62D 25/18;  
B62D 43/005; B62D 43/007; B62D  
43/04; B62D 43/08; B62D 43/10; B62D  
25/16; B60B 7/10  
See application file for complete search history.

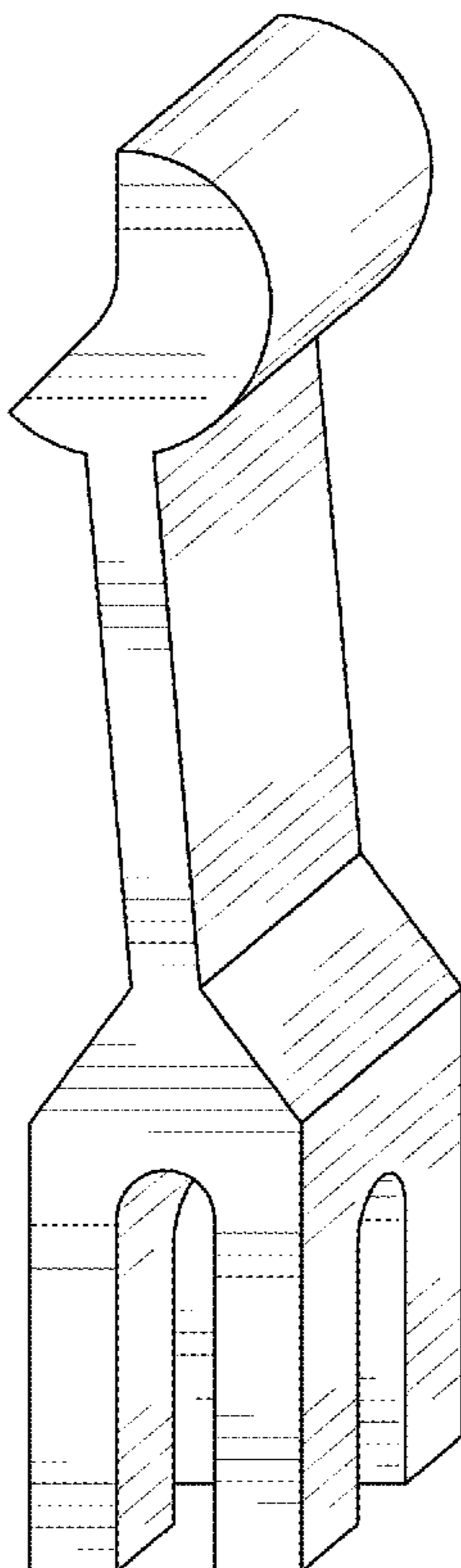
\* cited by examiner  
*Primary Examiner* — Sandra Snapp  
*Assistant Examiner* — Ieisha Price  
(74) *Attorney, Agent, or Firm* — Gulf Coast Intellectual  
Property Group

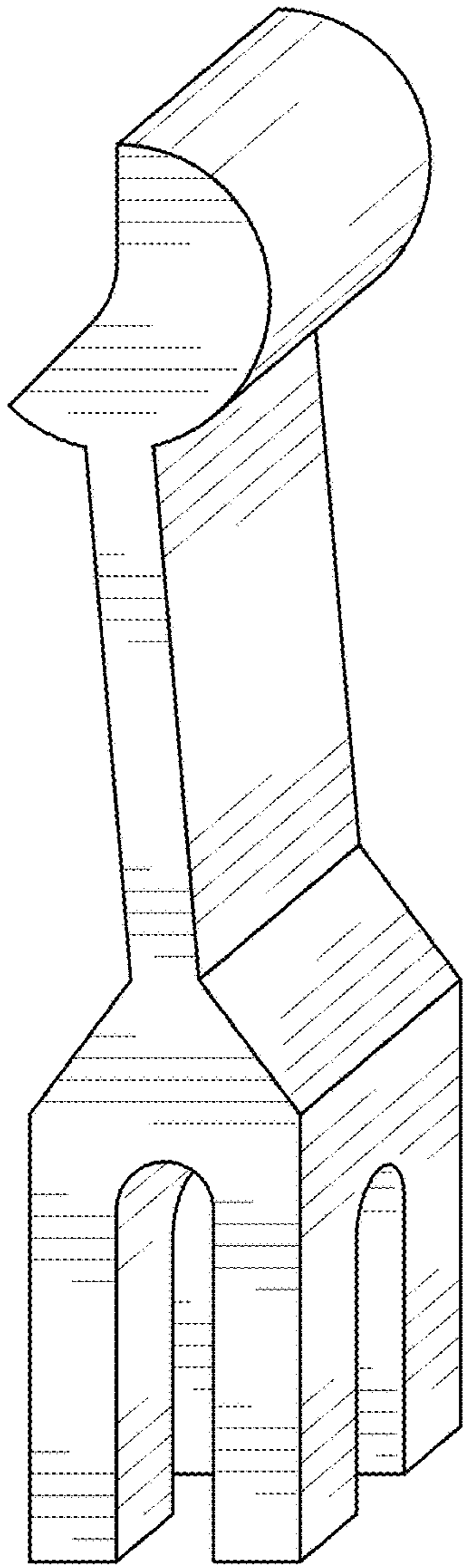
(56) **References Cited**  
U.S. PATENT DOCUMENTS  
1,741,314 A \* 12/1929 Johnson ..... B62D 43/007  
220/315  
2,063,598 A \* 12/1936 Franklin ..... B62D 43/08  
224/42.13  
D264,300 S \* 5/1982 Imm ..... 29/270

(57) **CLAIM**  
The ornamental design for a wheel cover fastener, as shown  
and described.

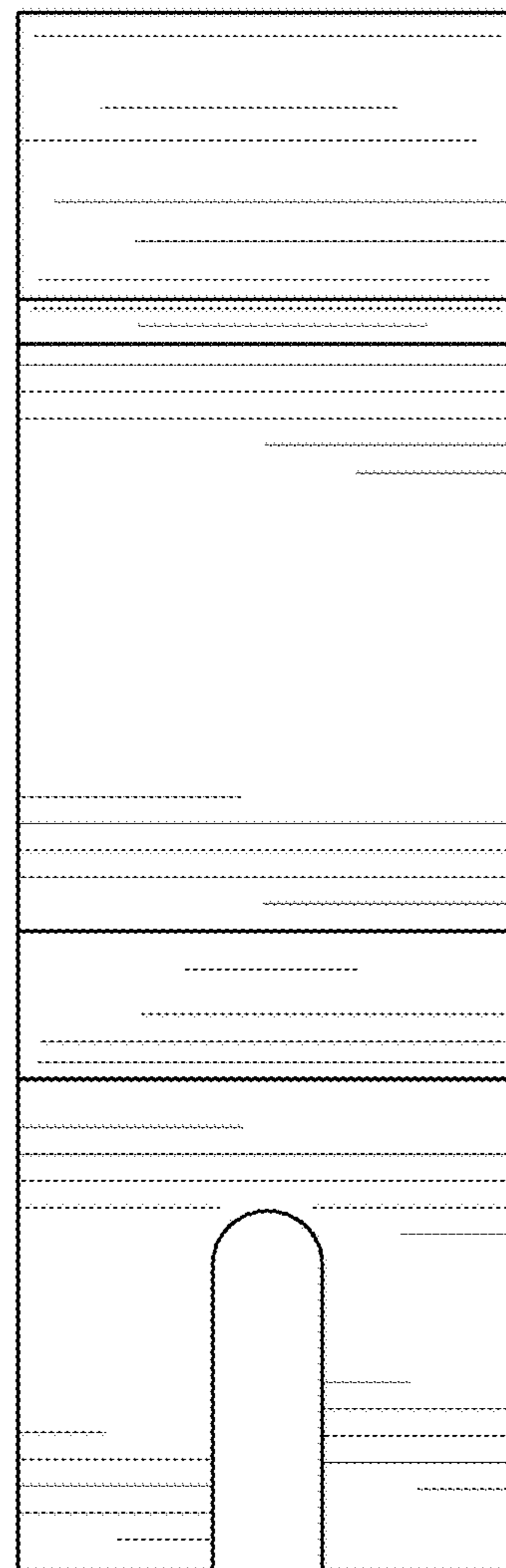
**DESCRIPTION**  
FIG. 1 is a perspective of a wheel cover fastener;  
FIG. 2 is a front view thereof;  
FIG. 3 is a rear view thereof;  
FIG. 4 is a left side view thereof;  
FIG. 5 is a right side view thereof;  
FIG. 6 is a top view thereof; and,  
FIG. 7 is a bottom view thereof.

**1 Claim, 3 Drawing Sheets**

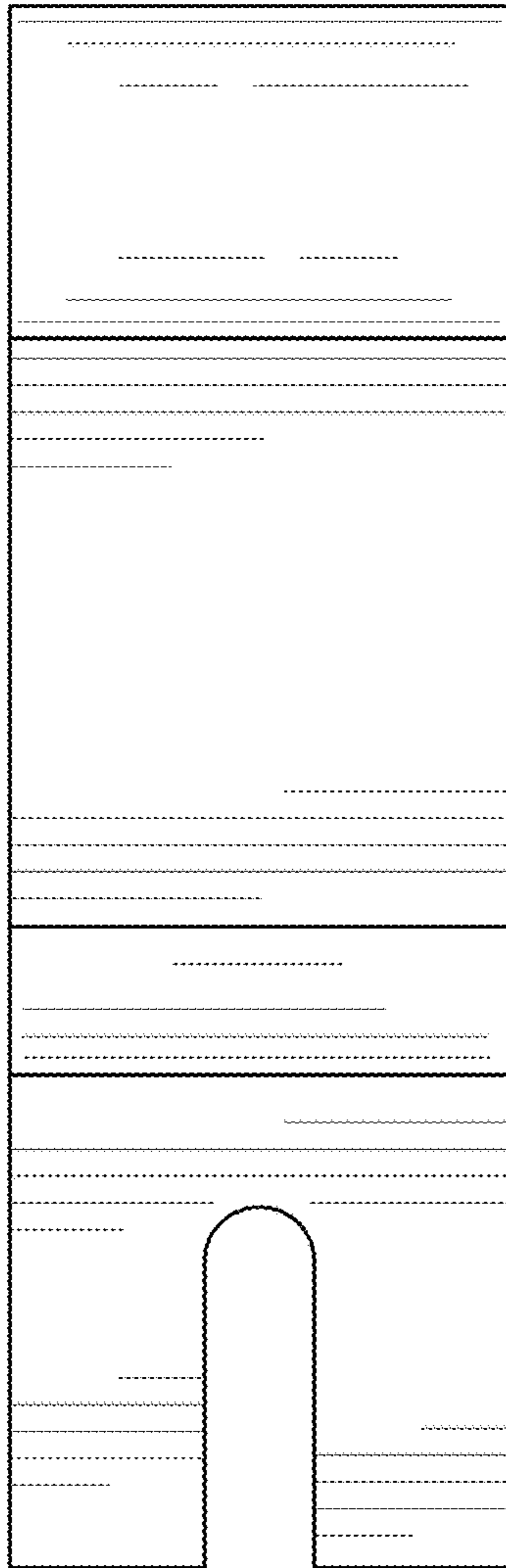




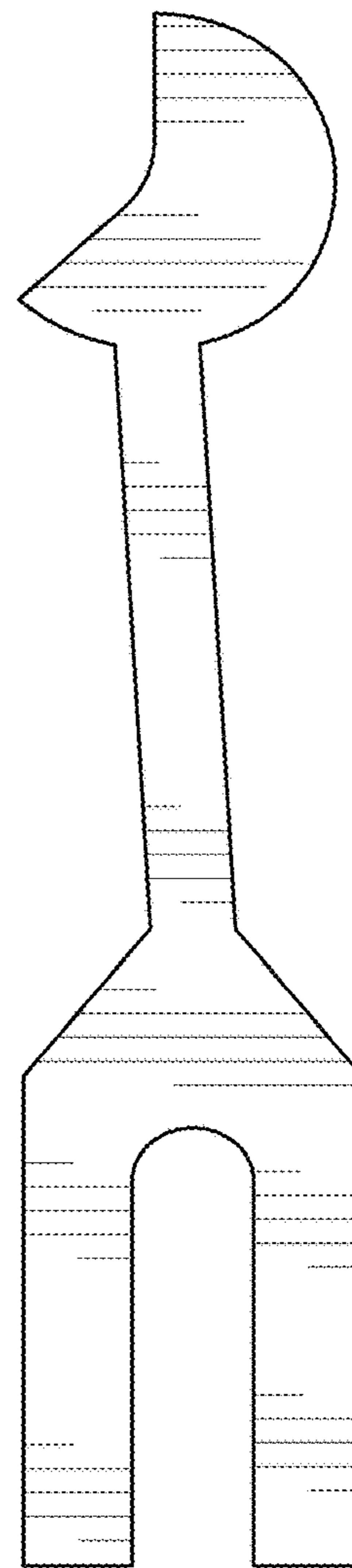
**FIG. 1**



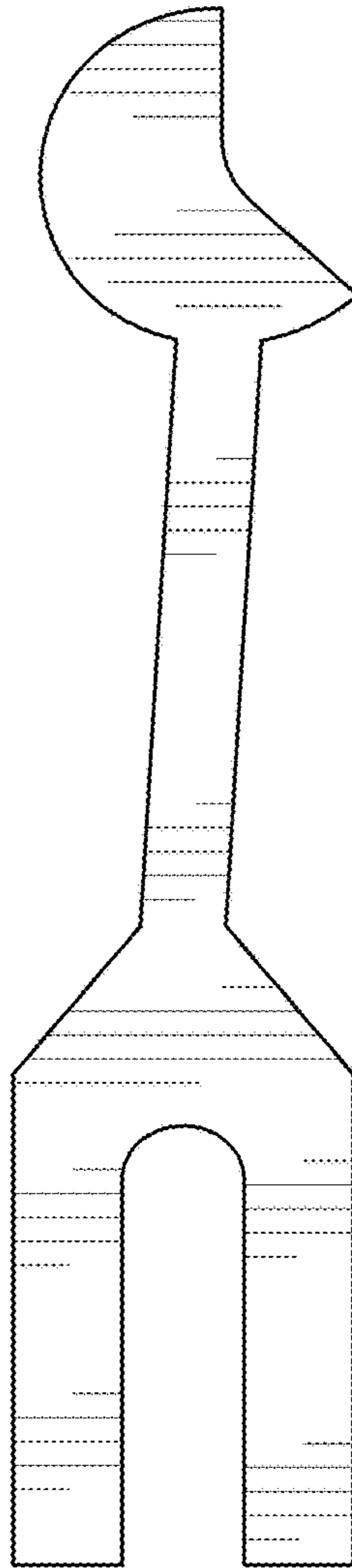
**FIG. 2**



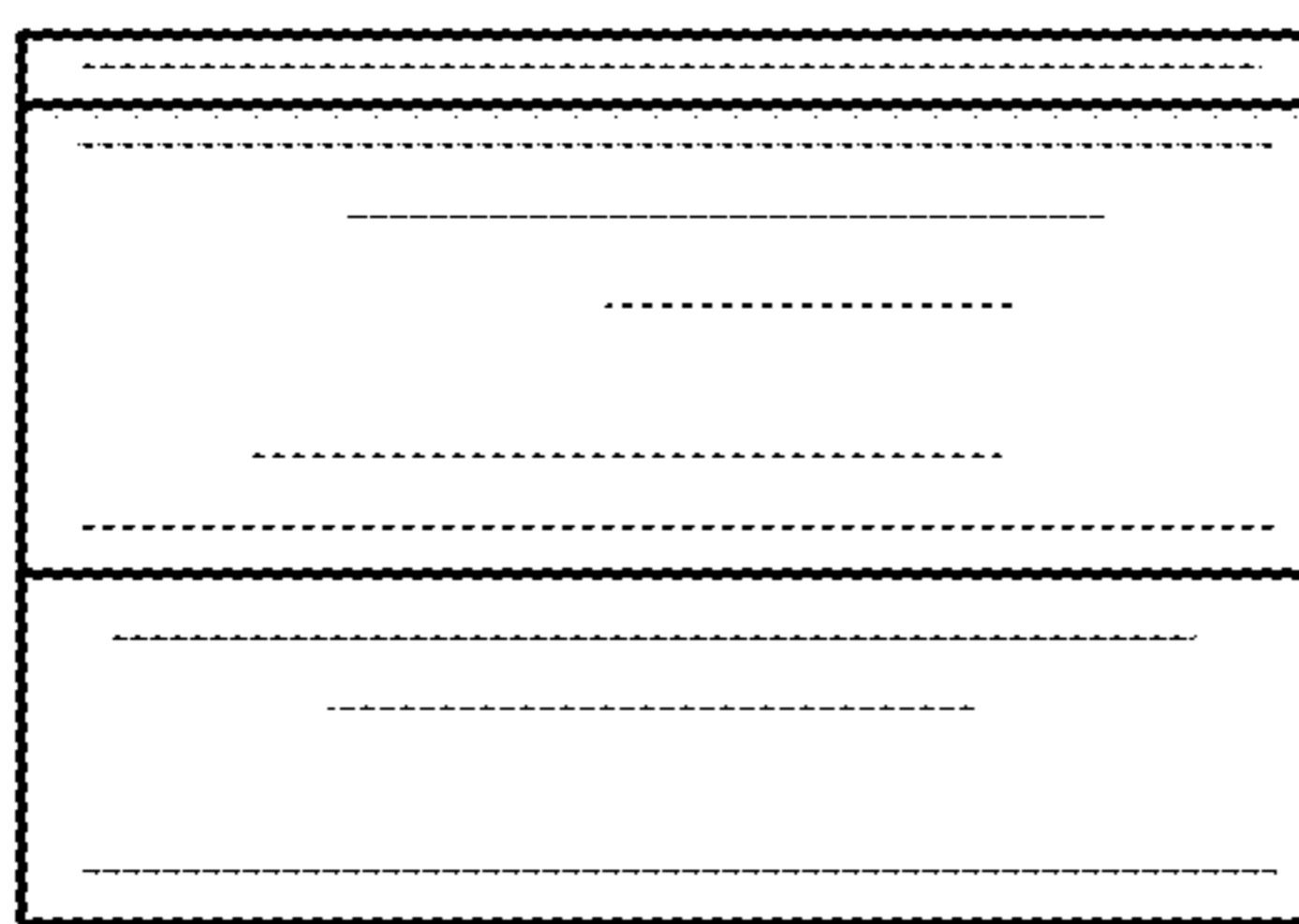
**FIG. 3**



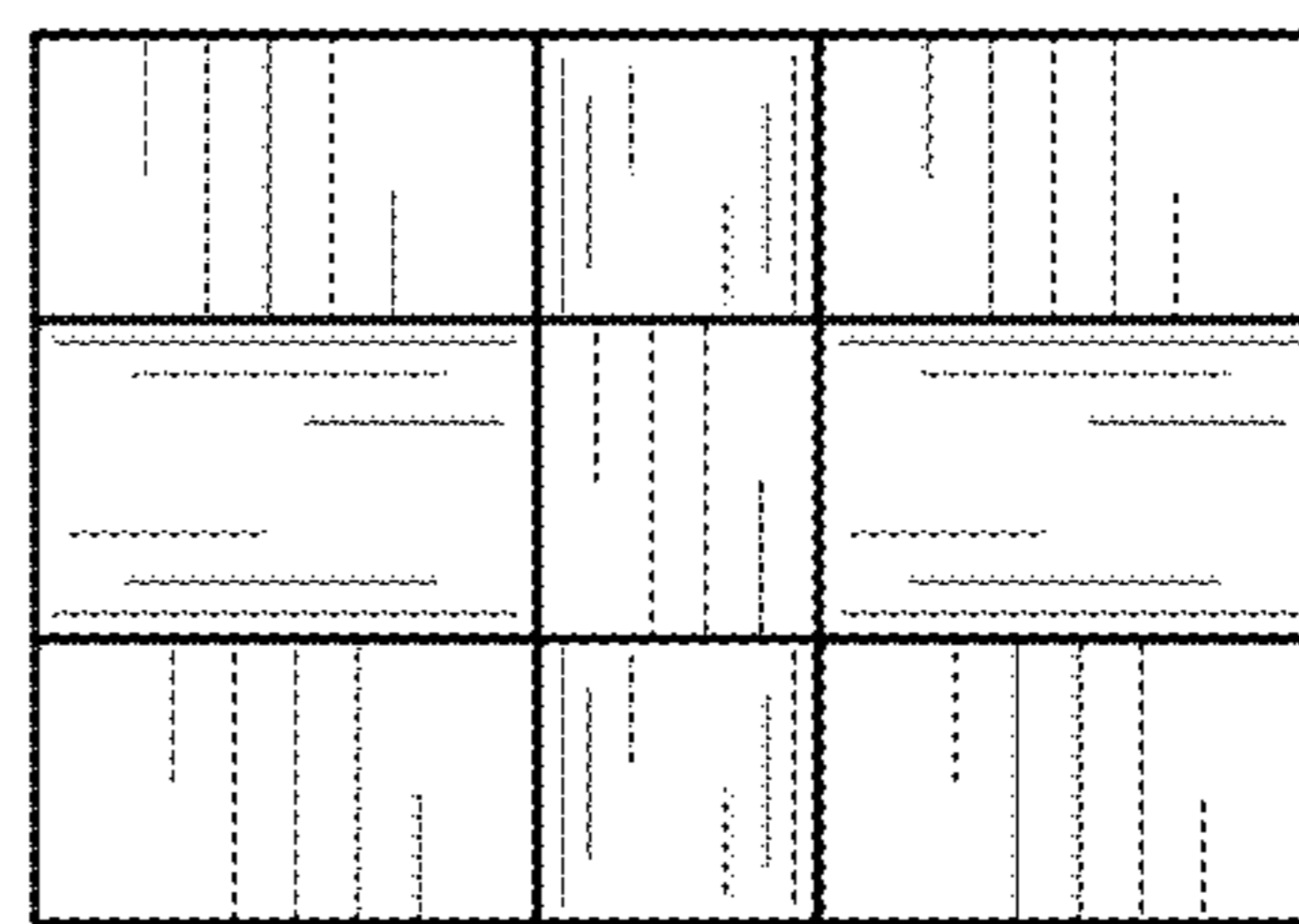
**FIG. 4**



**FIG. 5**



**FIG. 6**



**FIG. 7**