



US00D780558S

(12) **United States Design Patent**
Mouthaan

(10) **Patent No.:** **US D780,558 S**

(45) **Date of Patent:** **** Mar. 7, 2017**

- (54) **TOOL SUPPORT SLEEVE**
- (71) Applicant: **Supplier of Solutions, LLC**, Park City, UT (US)
- (72) Inventor: **Daniel J. Mouthaan**, Park City, UT (US)
- (73) Assignee: **SUPPLIER OF SOLUTIONS, LLC**, Park City, UT (US)
- (**) Term: **15 Years**

D723,906 S *	3/2015	Kato	D8/382
D734,150 S *	7/2015	Rigel	D9/440
2005/0173966 A1 *	8/2005	Mouthaan	E21C 35/197 299/104
2008/0053711 A1 *	3/2008	O'Neill	E21C 35/183 175/432
2010/0018776 A1 *	1/2010	Keller	E21C 35/183 175/327
2013/0169023 A1 *	7/2013	Monyak	E21C 35/197 299/104
2016/0068117 A1 *	3/2016	Huelke	H01F 7/02 24/303
2016/0102550 A1 *	4/2016	Paros	E21C 35/197 299/113

- (21) Appl. No.: **29/551,144**
- (22) Filed: **Jan. 11, 2016**
- (51) **LOC (10) Cl.** **08-05**
- (52) **U.S. Cl.**
USPC **D8/354**
- (58) **Field of Classification Search**
USPC D8/16, 19, 350, 353, 354, 364, 366, 499,
D8/380, 381
CPC F16B 1/00; F16B 2/00; F16B 4/00; F16B
12/00; B60B 11/06; E21C 35/183
See application file for complete search history.

* cited by examiner

Primary Examiner — Rosemary K Tarcza

Assistant Examiner — Alison Ofstun

(74) *Attorney, Agent, or Firm* — Warner Norcross and Judd LLP

(57) **CLAIM**

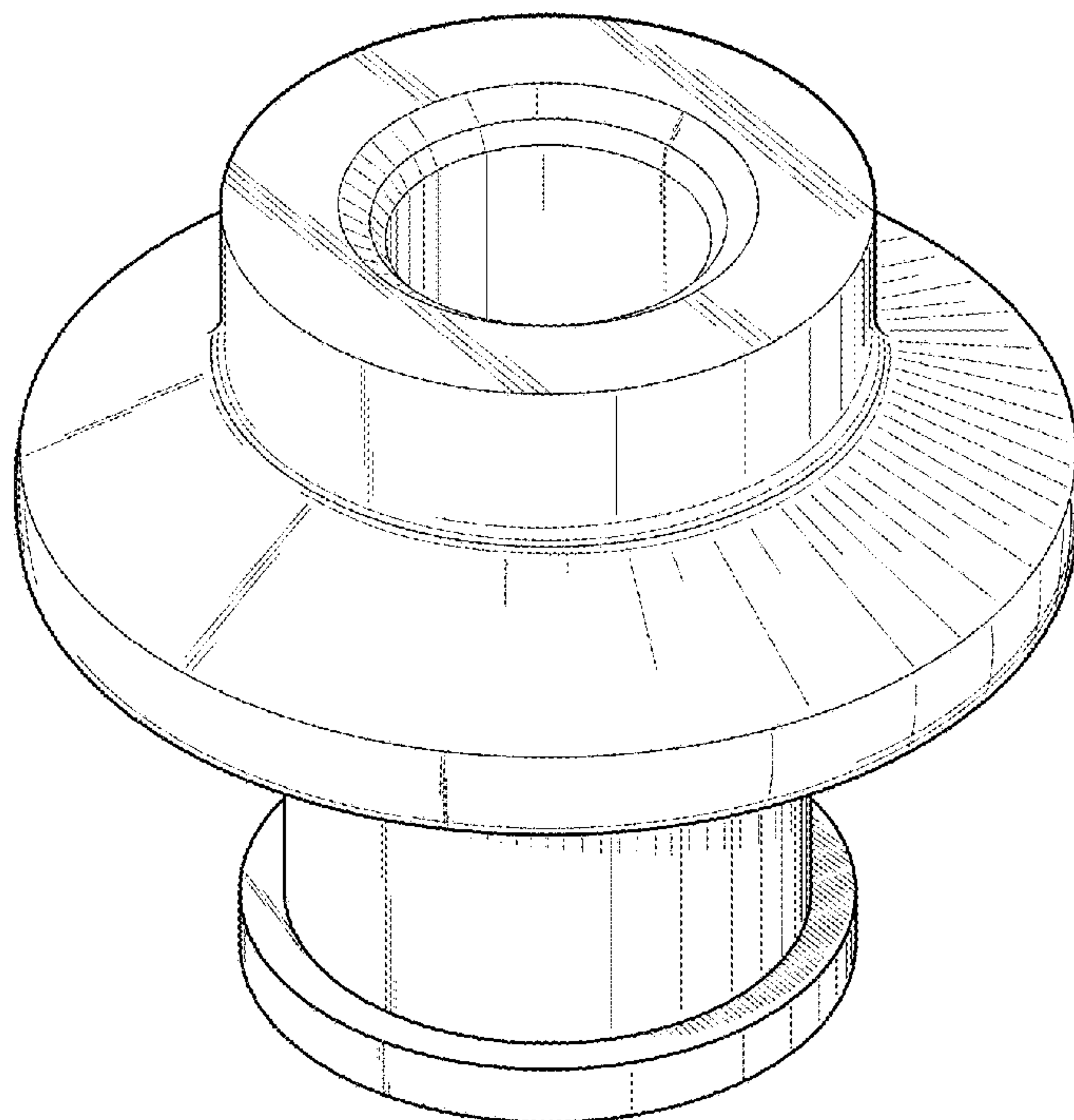
The ornamental designs for a tool support sleeve, as shown and described.

DESCRIPTION

FIG. 1 is a perspective view of the tool support sleeve embodying the new design.
 FIG. 2 is a side view thereof, the tool support sleeve being axially symmetrical about its central vertical axis;
 FIG. 3 is a top view thereof; and,
 FIG. 4 is a bottom view thereof.
 The broken lines shown in the figures illustrate portions of the article that form no part of the claimed design.

1 Claim, 2 Drawing Sheets

- (56) **References Cited**
U.S. PATENT DOCUMENTS
- 4,076,185 A * 2/1978 Dorph A01K 89/011
242/118.41
- 4,386,621 A * 6/1983 Redl A45B 25/14
135/20.3
- D360,820 S * 8/1995 Haase D8/356
- D497,536 S * 10/2004 Fujiwara D8/354
- D599,192 S * 9/2009 Andren D8/354



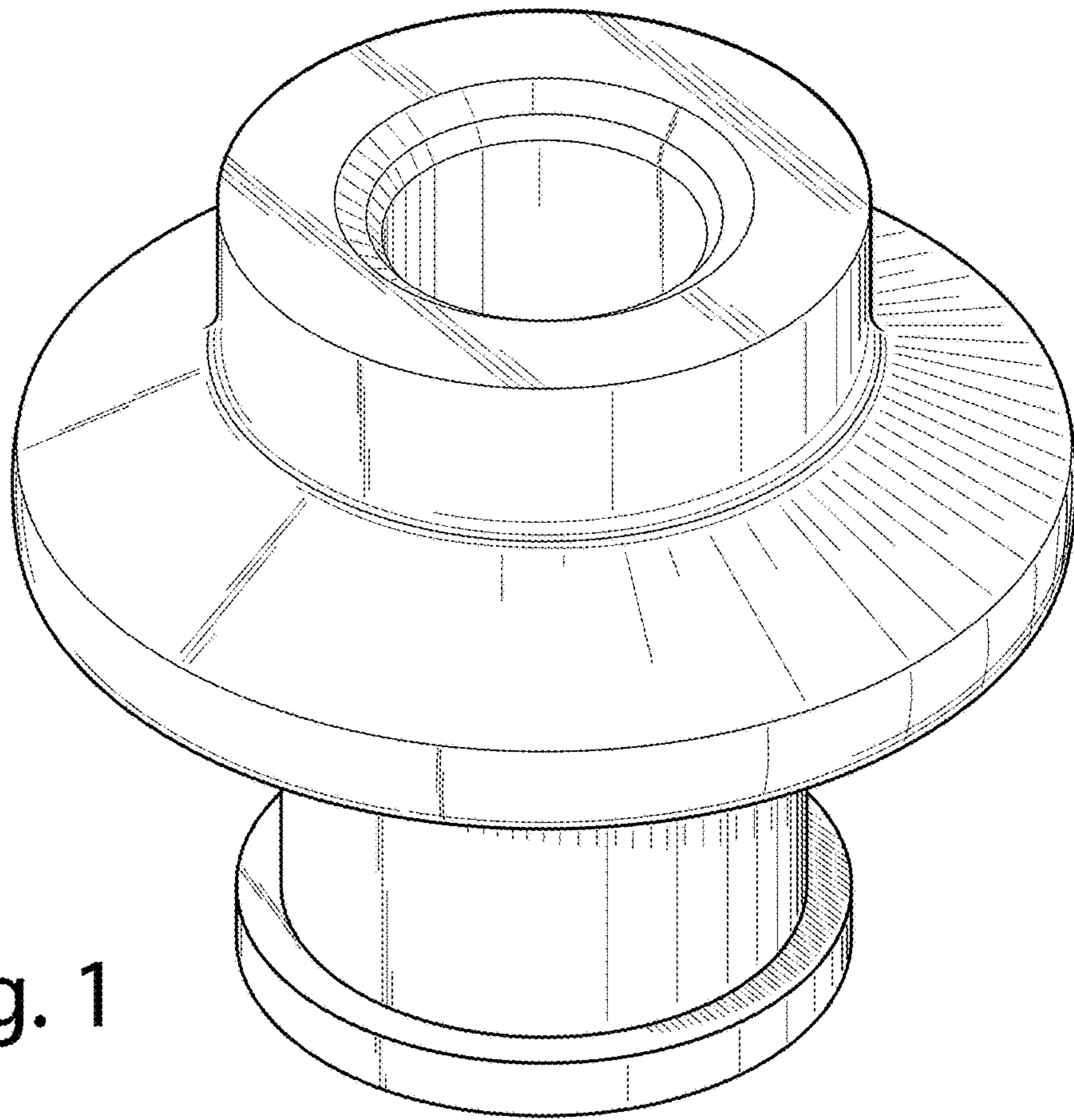


Fig. 1

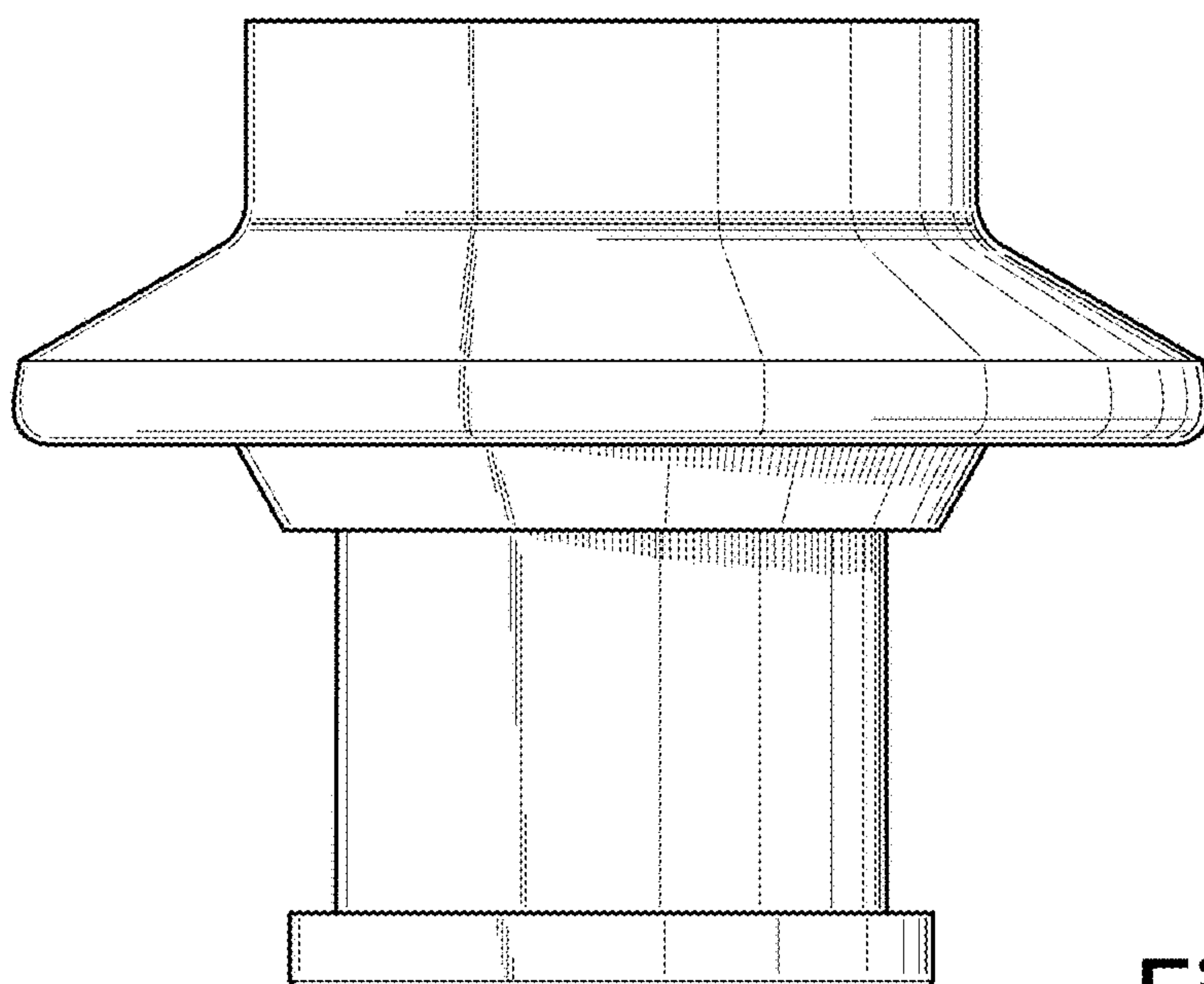


Fig. 2

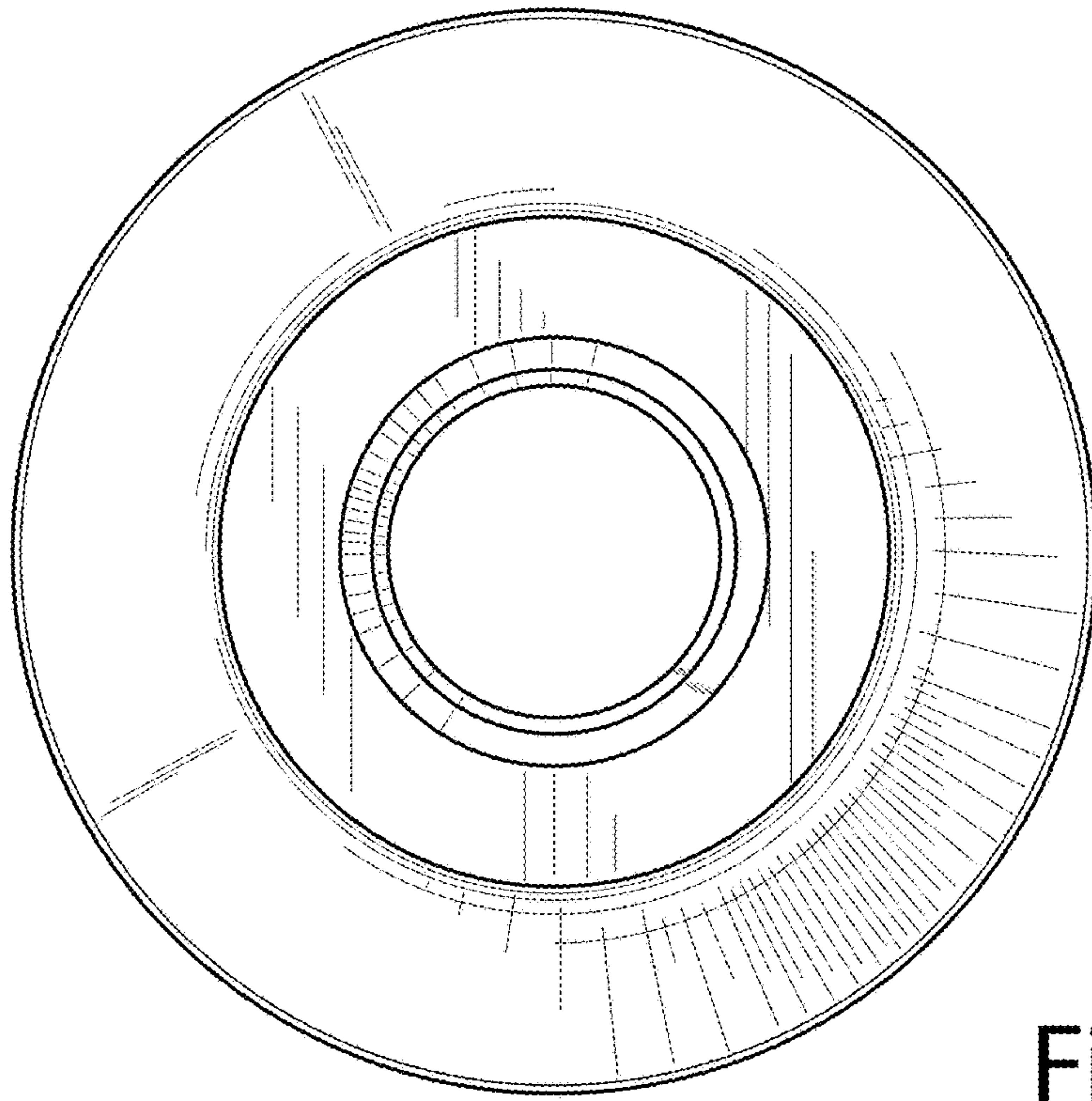


Fig. 3

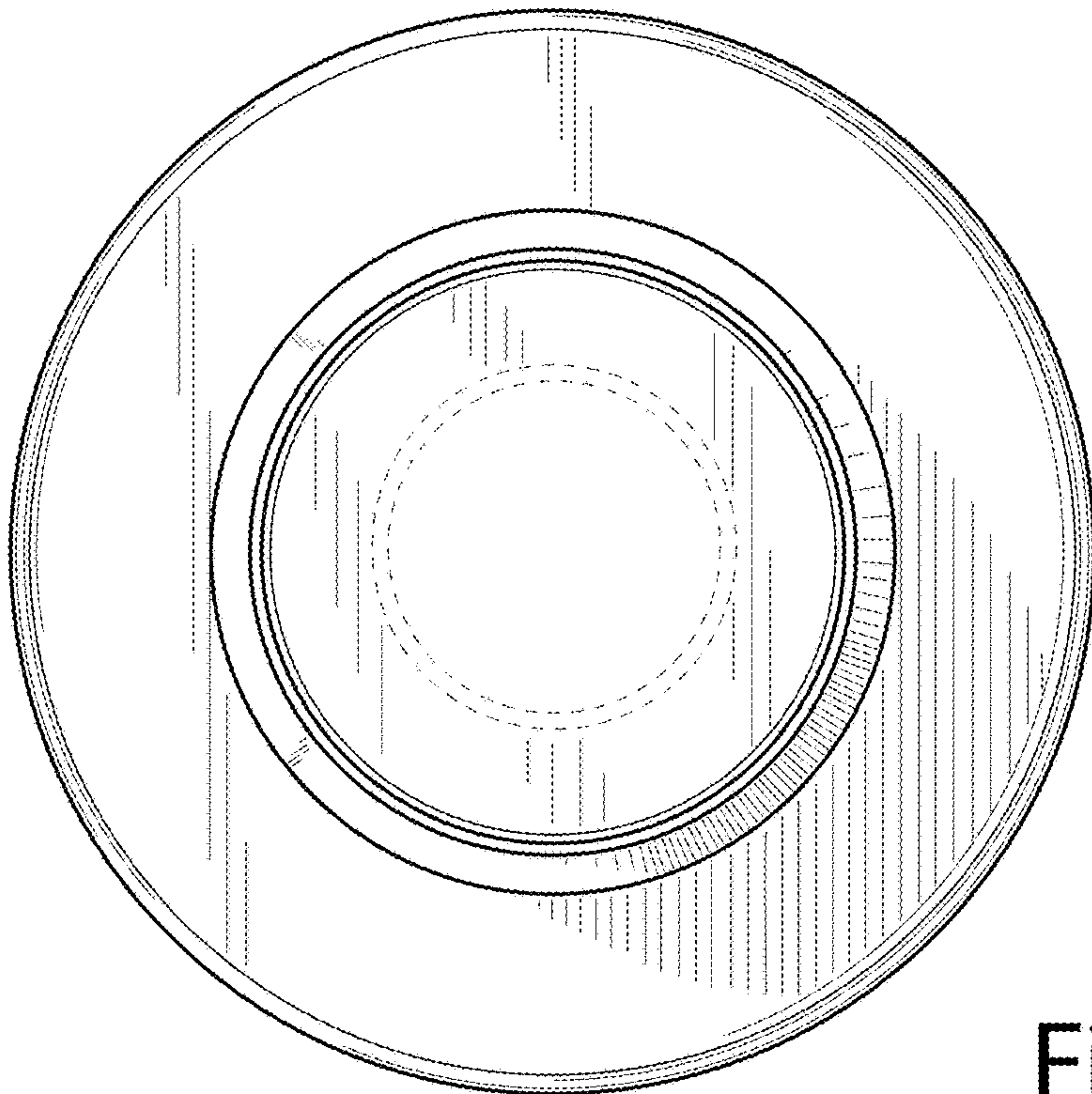


Fig. 4