



US00D780557S

(12) **United States Design Patent**
Foley et al.

(10) **Patent No.:** **US D780,557 S**

(45) **Date of Patent:** **** Mar. 7, 2017**

(54) **ADAPTOR FOR CONNECTING A WALL
BRACE SHOE TO A GROUND ANCHOR**

(71) Applicants: **Robert P. Foley**, Dayton, OH (US);
Terry J. Tincher, Oregonia, OH (US)

(72) Inventors: **Robert P. Foley**, Dayton, OH (US);
Terry J. Tincher, Oregonia, OH (US)

(73) Assignee: **Connect-EZ, LLC**, Harveysburg, OH
(US)

(**) Term: **14 Years**

(21) Appl. No.: **29/510,894**

(22) Filed: **Dec. 4, 2014**

(51) **LOC (10) Cl.** **08-08**

(52) **U.S. Cl.**
USPC **D8/354; D8/373**

(58) **Field of Classification Search**
USPC D8/354, 373, 383, 374, 300, 303, 313,
D8/314, 394, 396, 380, 395, 363, 381, 44,
D8/19, 370, 308, 372, 376, 384;
D13/133; D22/108; D23/238; D6/300
CPC E04B 5/12; E04B 2001/2644; E04B
2001/829; E04B 2/7457; E04B 7/045;
E04F 11/1812; E04C 3/28; E05C 17/50
See application file for complete search history.

(56) **References Cited**

U.S. PATENT DOCUMENTS

3,334,455 A * 8/1967 Russell E04B 1/0007
411/116
5,609,005 A * 3/1997 Schierloh E04B 1/355
249/83

D378,986 S * 4/1997 Darula D8/354
D576,472 S * 9/2008 Gaiardo D8/354
D598,734 S * 8/2009 Miranda D8/363
7,726,091 B2 * 6/2010 Frohlich E04B 1/215
248/346.5
D666,078 S * 8/2012 Foley D8/354
D672,221 S * 12/2012 Tincher D8/354
D737,670 S * 9/2015 Beyerle D8/373
2005/0102924 A1 * 5/2005 Frohlich E04B 1/215
52/155

* cited by examiner

Primary Examiner — Mark Goodwin

(74) *Attorney, Agent, or Firm* — Jacox, Meckstroth &
Jenkins

(57) **CLAIM**

The ornamental design of an adaptor for connecting a wall
brace shoe to a ground anchor, as shown and described.

DESCRIPTION

FIG. 1 is a perspective view of an adaptor for connecting a
wall brace shoe to a ground anchor showing our new design;
FIG. 2 is a top view thereof;
FIG. 3 is an end view thereof;
FIG. 4 is a side view thereof, the opposite side view being
a mirror image;
FIG. 5 is an opposite end view thereof; and,
FIG. 6 is a bottom view thereof.

1 Claim, 1 Drawing Sheet

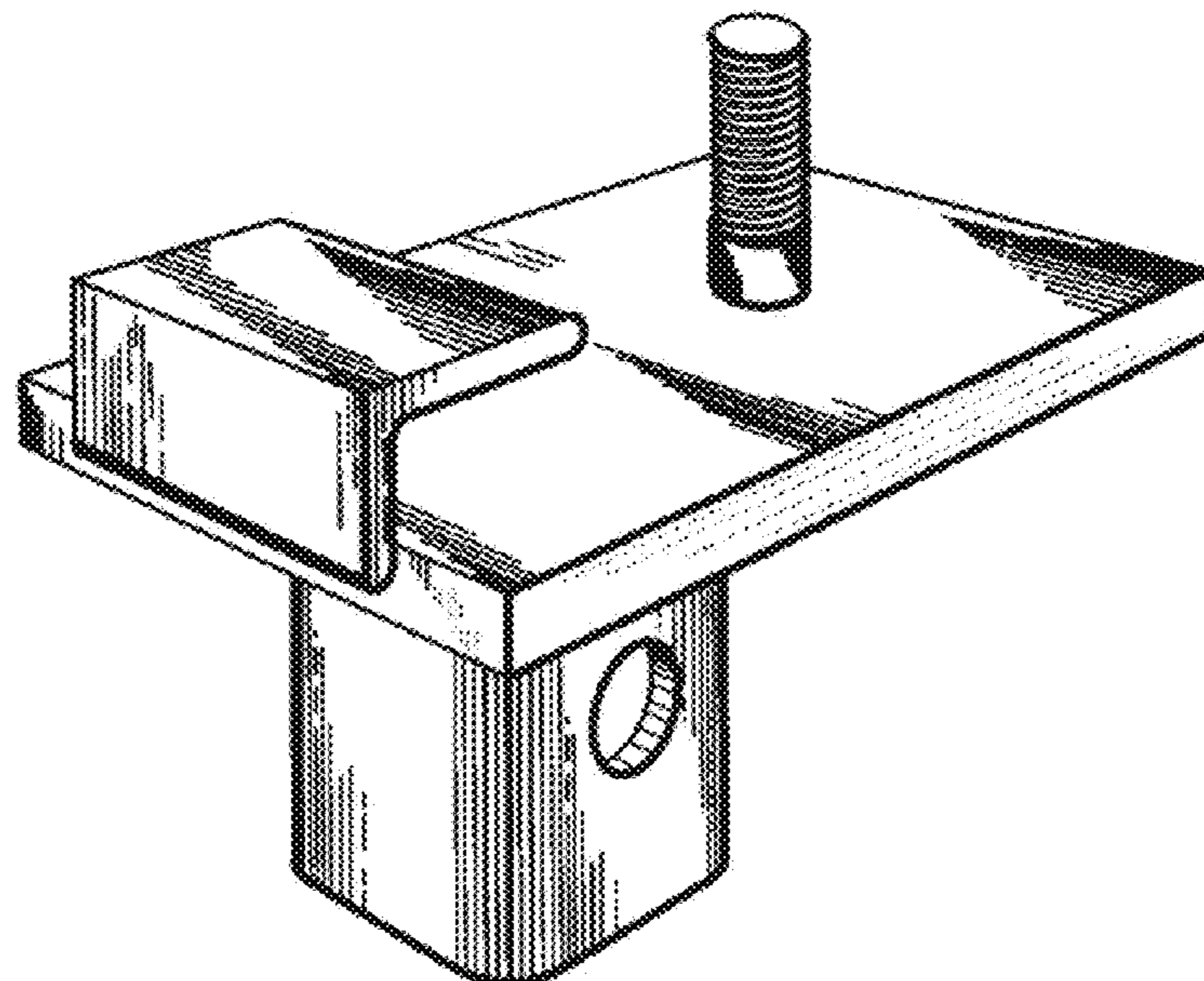


FIG. 1

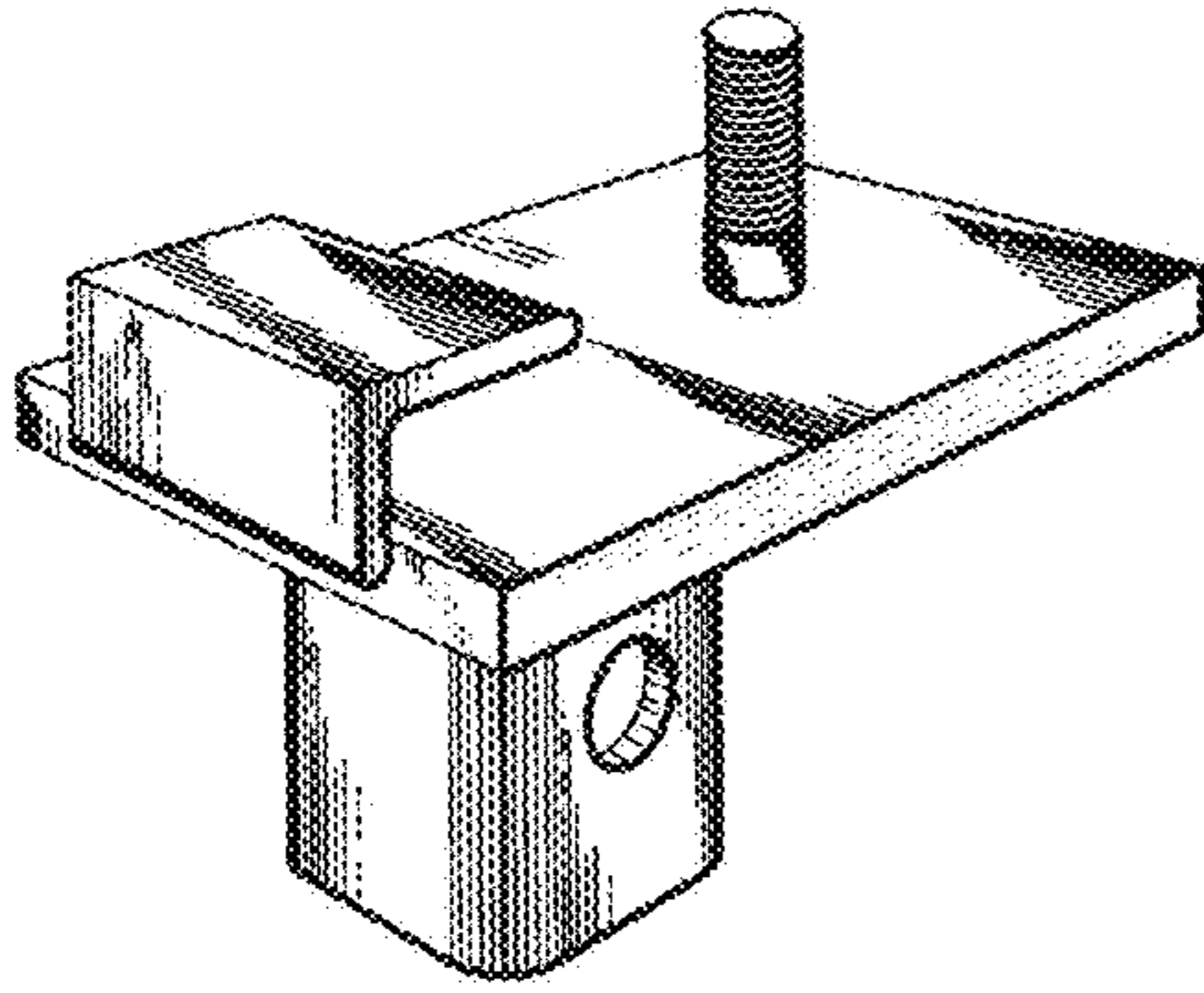


FIG. 2

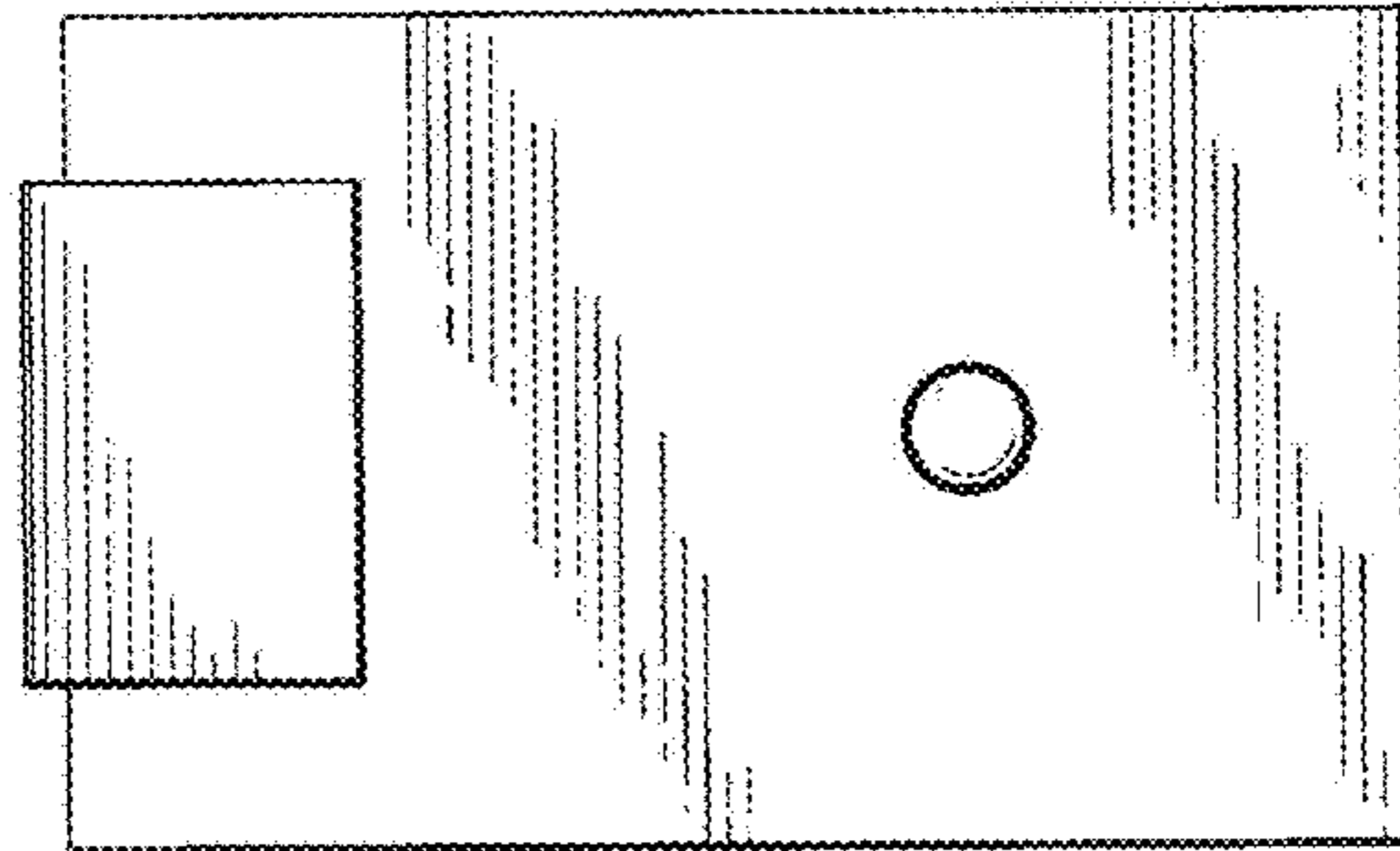


FIG. 3

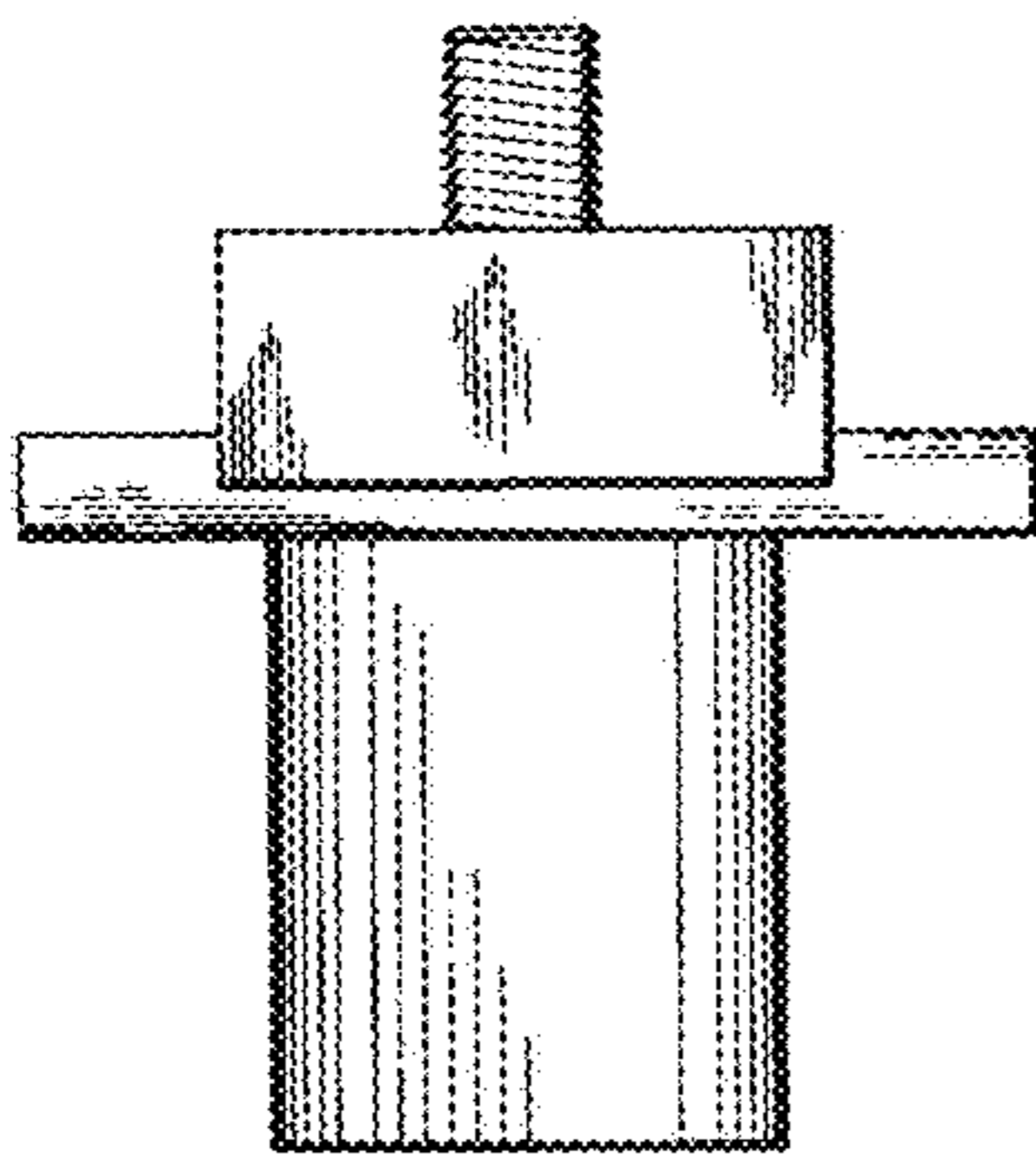


FIG. 4

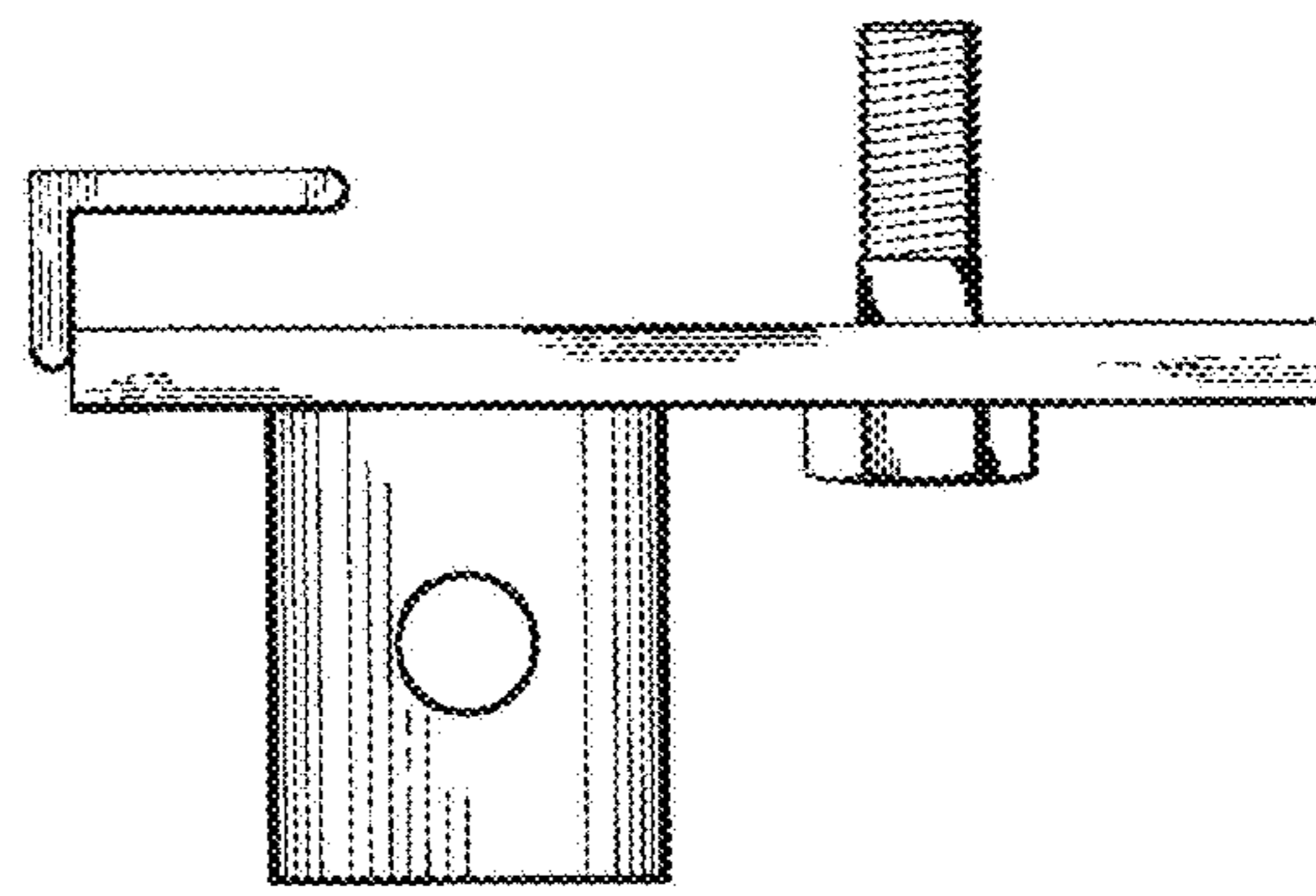


FIG. 5

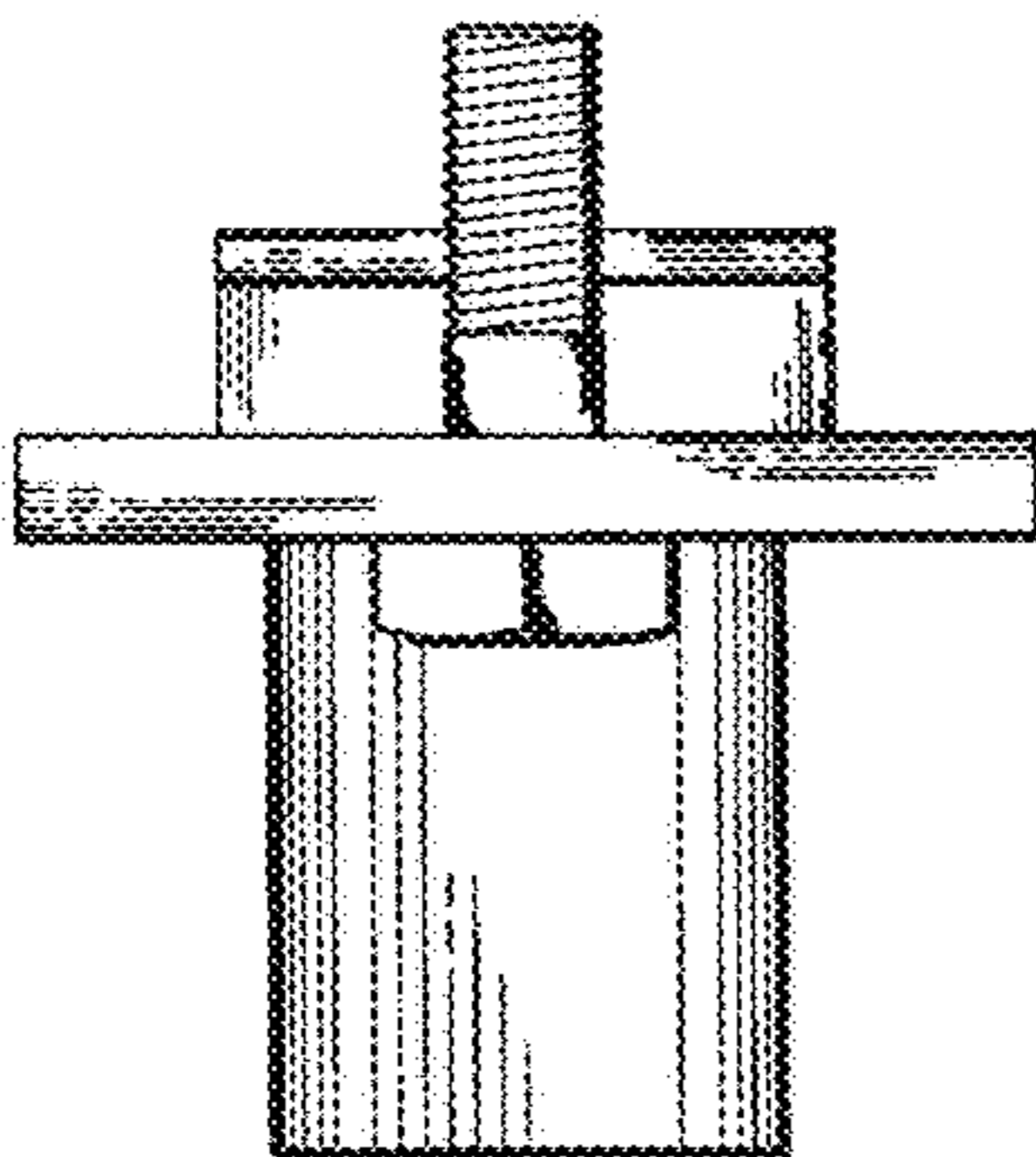


FIG. 6

