



US00D780556S

(12) **United States Design Patent**
Chapman et al.

(10) **Patent No.:** **US D780,556 S**

(45) **Date of Patent:** **** Mar. 7, 2017**

- (54) **SLIDE LOCK ASSEMBLY**
- (71) Applicant: **Global Products International Group, LLC**, Atlanta, GA (US)
- (72) Inventors: **Gabriel Paul Chapman**, Cumming, GA (US); **Ryan Harold Chapman**, Atlanta, GA (US)
- (73) Assignee: **Global Products International Group, LLC**, Tucker, GA (US)

| | | | | | |
|--------------|------|---------|-------------|-------|-------------|
| 5,165,741 | A * | 11/1992 | Everett | | E05C 19/003 |
| | | | | | 292/257 |
| D398,831 | S * | 9/1998 | Walton | | D8/339 |
| 6,477,872 | B1 * | 11/2002 | Denton, Jr. | | E05B 67/36 |
| | | | | | 70/100 |
| D520,338 | S * | 5/2006 | Robert | | D8/339 |
| D524,633 | S * | 7/2006 | Robert | | D8/339 |
| D616,722 | S * | 6/2010 | Shin | | D8/339 |
| D632,946 | S * | 2/2011 | Hartgens | | D8/339 |
| D638,686 | S * | 5/2011 | Gordon | | D8/330 |
| D692,291 | S * | 10/2013 | Gong | | D8/339 |
| D710,183 | S * | 8/2014 | Huddleston | | D8/339 |
| 2007/0283524 | A1 * | 12/2007 | Gordon | | E05F 1/16 |
| | | | | | 16/78 |

(**) Term: **15 Years**

(21) Appl. No.: **29/542,138**

(22) Filed: **Oct. 12, 2015**

(51) **LOC (10) Cl.** **08-07**

(52) **U.S. Cl.**
USPC **D8/339; D8/331**

(58) **Field of Classification Search**
USPC D8/330, 331, 339-342, 349, 367, 400;
70/14, 19, 57, 57.1, 58, 51, 52, 199, 237,
70/240, 431, 288, 94, 99; 292/92, 339,
292/259 R, 259 A, 57, 262, 273, 305,
292/306, DIG. 47, DIG. 55, DIG. 60;
49/57, 61, 62, 303, 49/463-466
CPC E05B 3/00; E05B 9/02; E05B 15/00;
E05B 55/00
See application file for complete search history.

(56) **References Cited**

U.S. PATENT DOCUMENTS

| | | | | | |
|-----------|-----|---------|--------|-------|------------|
| 4,021,063 | A * | 5/1977 | Porter | | E05C 1/04 |
| | | | | | 292/148 |
| 4,062,575 | A * | 12/1977 | Robins | | E05C 3/167 |
| | | | | | 292/236 |

* cited by examiner

Primary Examiner — Prabhakar Deshmukh
(74) *Attorney, Agent, or Firm* — Sutherland Asbill & Brennan LLP

(57) **CLAIM**

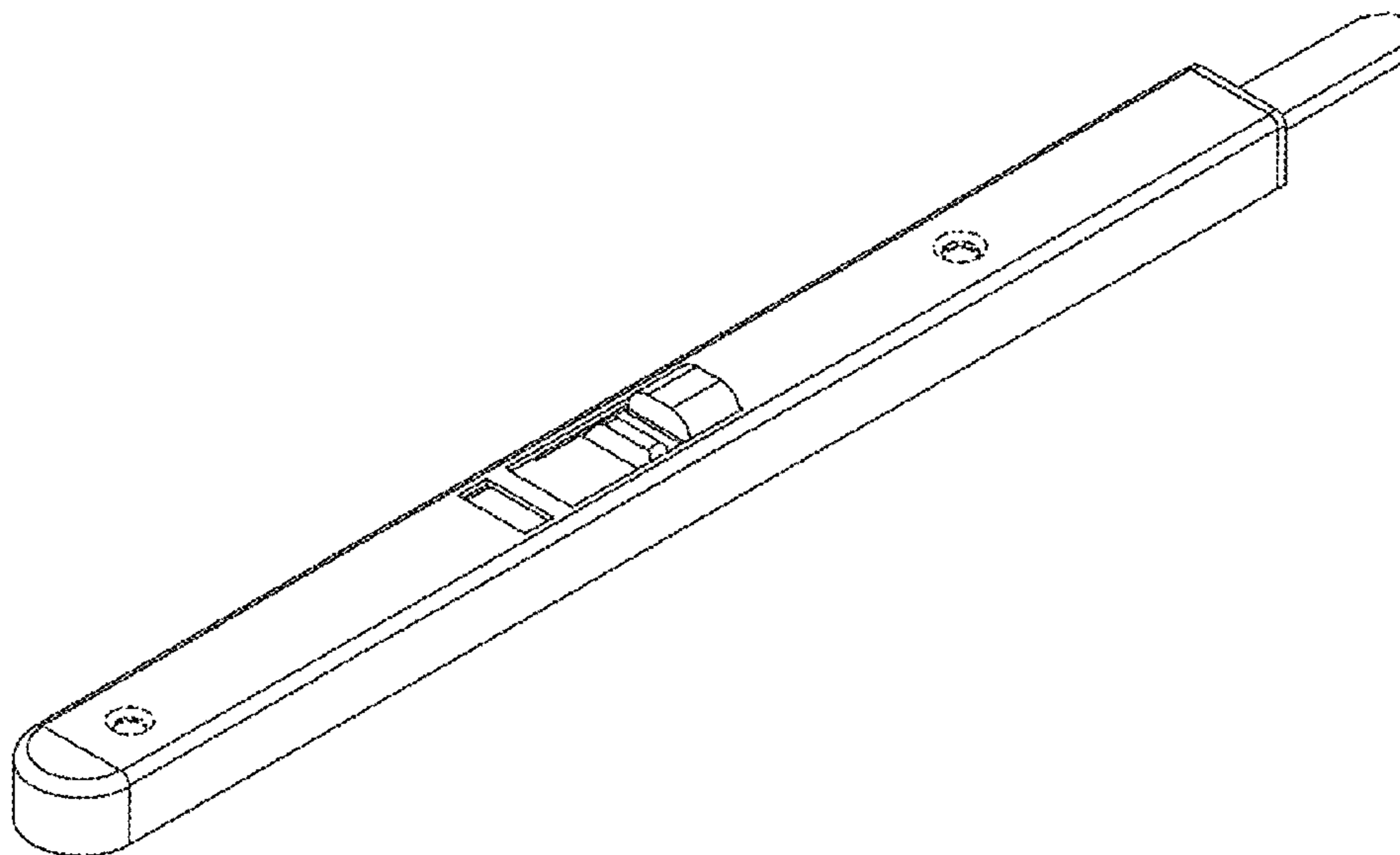
The ornamental design for a slide lock assembly, as shown and described.

DESCRIPTION

FIG. 1 is a first perspective view of a slide lock assembly in accordance with an embodiment of the disclosure;
FIG. 2 is a second perspective view thereof
FIG. 3 is a top plan view thereof;
FIG. 4 is a bottom plan view thereof;
FIG. 5 is a side elevation view thereof;
FIG. 6 is another side elevation view thereof;
FIG. 7 is an end elevation view thereof; and,
FIG. 8 is another end elevation view thereof.

The broken lines are for illustrative purposes only and form no part of the claimed design.

1 Claim, 5 Drawing Sheets



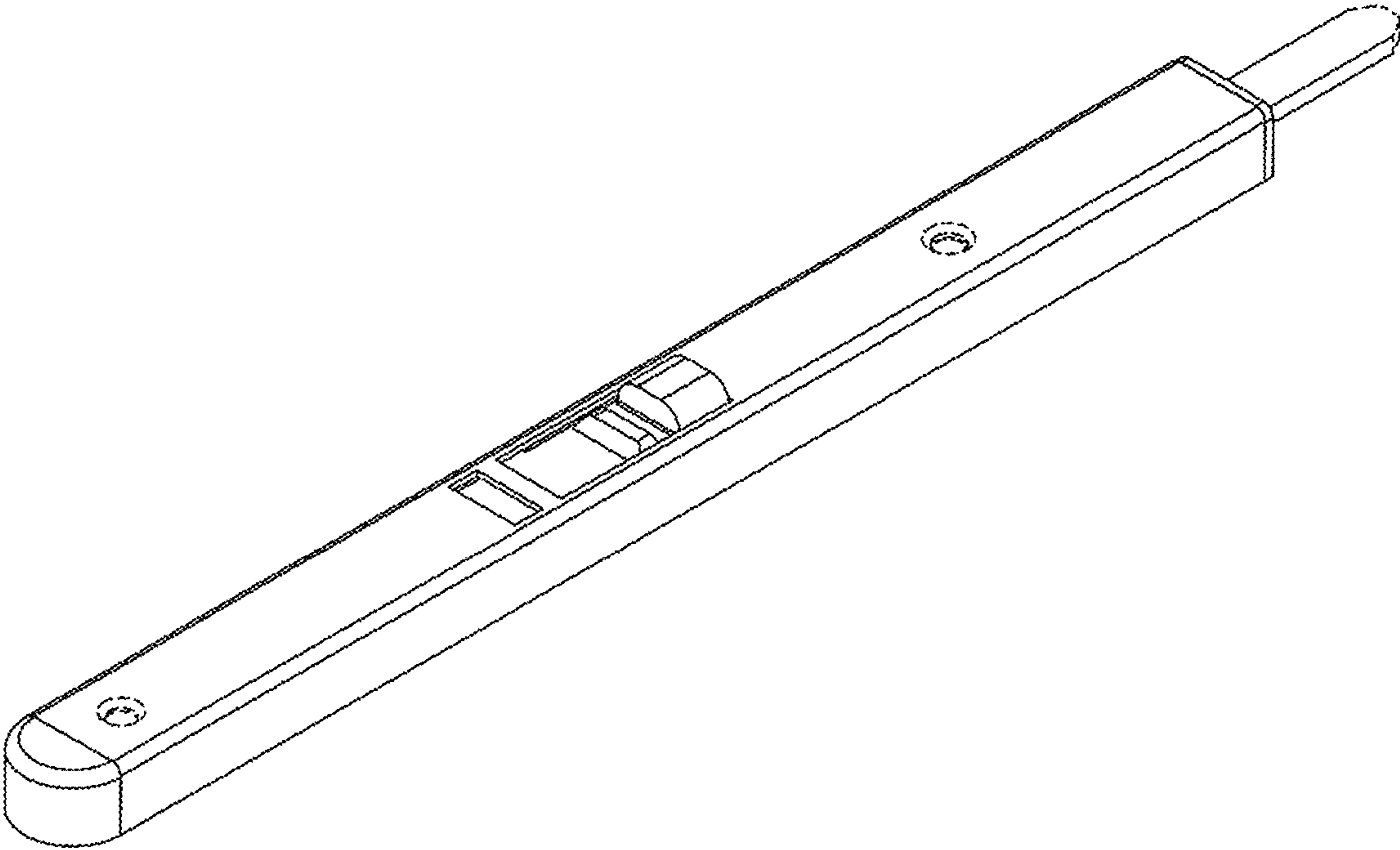


Fig. 1

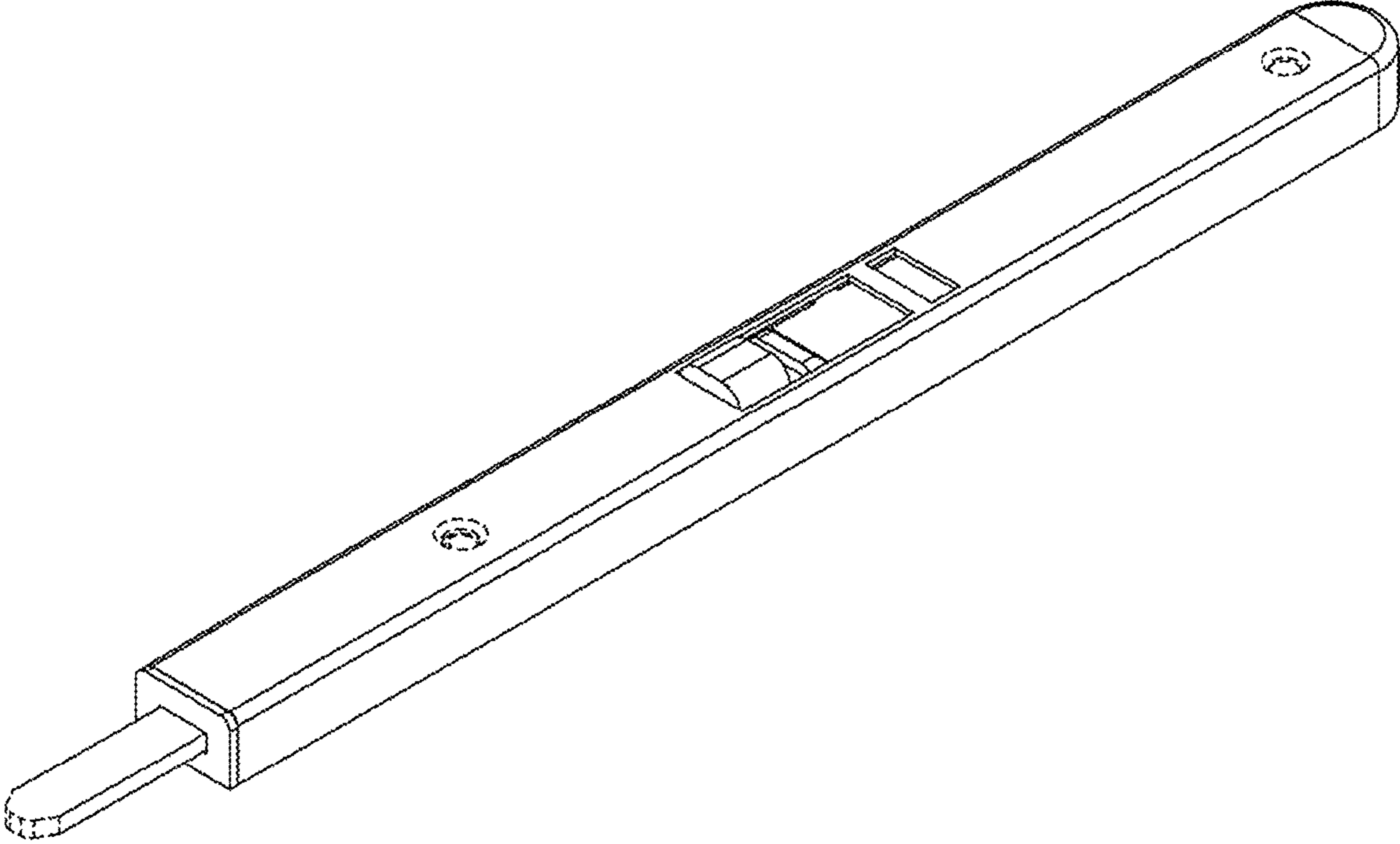


Fig. 2

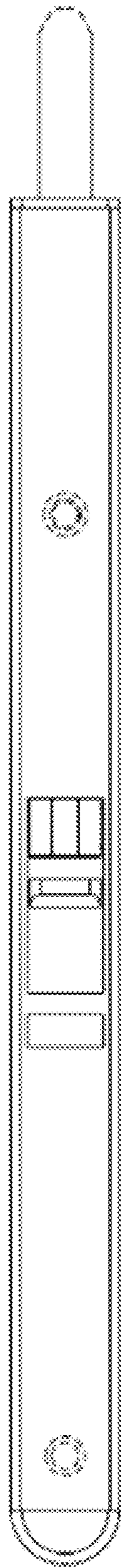


Fig. 3

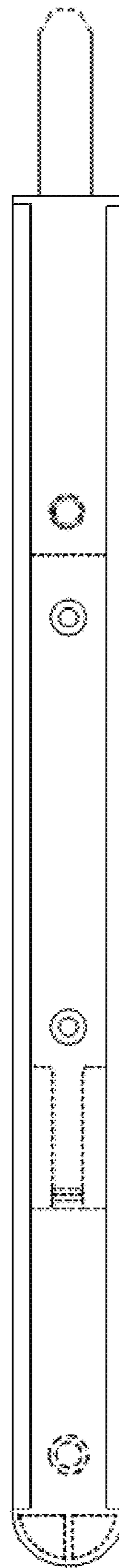


Fig. 4

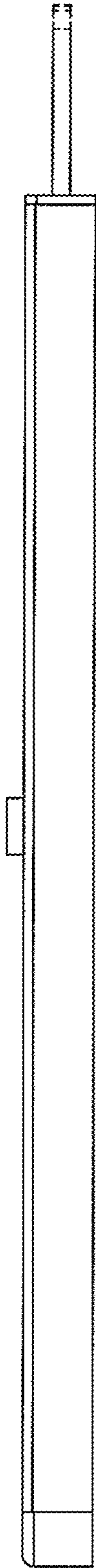


Fig. 5



Fig. 6



Fig. 7



Fig. 8