



US00D780554S

(12) **United States Design Patent**
Marsden

(10) **Patent No.:** **US D780,554 S**
(45) **Date of Patent:** **** Mar. 7, 2017**

(54) **MULTIPURPOSE LOCK**

(71) Applicant: **Elbee Pty Ltd.**, Bondi Junction (AU)
(72) Inventor: **Andrew Marsden**, Hingham, MA (US)
(73) Assignee: **Elbee Pty Ltd.**, Bondi Junction (AU)
(**) Term: **15 Years**

(21) Appl. No.: **29/538,226**

(22) Filed: **Sep. 2, 2015**

(51) **LOC (10) Cl.** **08-07**

(52) **U.S. Cl.**
USPC **D8/330**

(58) **Field of Classification Search**

USPC D8/330, 331, 336, 339, 343, 349, 350,
D8/354, 382, 400, 300, 301, 302; 70/14,
(Continued)

(56) **References Cited**

U.S. PATENT DOCUMENTS

D349,446 S * 8/1994 Brunette D8/331
D351,984 S * 11/1994 Victor D8/331
(Continued)

Primary Examiner — Prabhakar Deshmukh

(74) *Attorney, Agent, or Firm* — Wolf, Greenfield &
Sacks, P.C.

(57) **CLAIM**

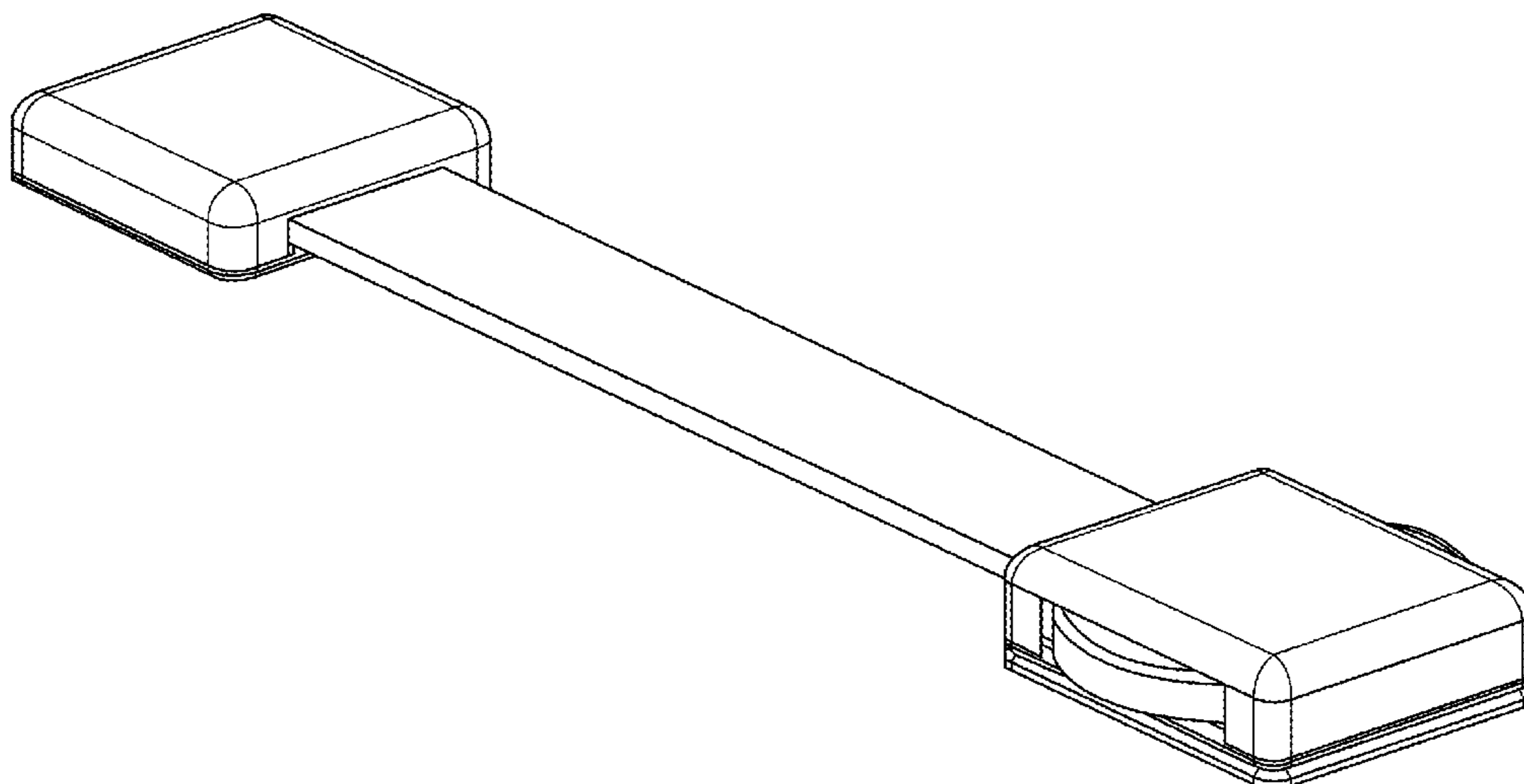
The ornamental design for an multipurpose lock, as shown
and described.

DESCRIPTION

FIG. 1 is a top, front and right perspective view of a
multipurpose lock showing my new design;

FIG. 2 is an exploded perspective view of FIG. 1;
FIG. 3 is another top, front and right perspective view
thereof;
FIG. 4 is an exploded perspective view of FIG. 3;
FIG. 5 is a front elevation view thereof;
FIG. 6 is an exploded front elevation view of FIG. 5;
FIG. 7 is a rear elevation view thereof;
FIG. 8 is an exploded rear elevation view of FIG. 7;
FIG. 9 is an enlarged right side elevation view thereof;
FIG. 10 is a top plan view thereof;
FIG. 11 is an enlarged left side elevation view thereof;
FIG. 12 is a bottom plan view thereof;
FIG. 13 is an exploded top, front and right perspective view
thereof;
FIG. 14 is an exploded front elevation view of FIG. 13;
FIG. 15 is an exploded enlarged right elevation view thereof;
FIG. 16 is an exploded rear elevation view of FIG. 15;
FIG. 17 is an exploded enlarged right side elevation view
thereof;
FIG. 18 is an enlarged perspective view of a latch, shown
separately for clarity of illustration;
FIG. 19 is a front elevation view of FIG. 18;
FIG. 20 is a top plan view of FIG. 18;
FIG. 21 is a bottom plan view of FIG. 18;
FIG. 22 is a bottom, rear and left side perspective view
thereof;
FIG. 23 is a bottom plan view of FIG. 22;
FIG. 24 is a top, front and right perspective view thereof,
shown without cover;
FIG. 25 is a top plan view of FIG. 24;
FIG. 26 is perspective view thereof, with the latch removed;
and,
FIG. 27 is a top plan view of FIG. 26.

1 Claim, 27 Drawing Sheets



(58) **Field of Classification Search**

USPC . 70/51, 52, 57, 57.1, 67, 69, 78, 85, 86, 88,
70/141, 262, 263, 431, 218, 221, 203;
292/32, 358, 359, DIG. 68, DIG. 30, 137,
292/106, 108, 336.3; 312/294, 333,
312/334.1, 330.1, 351.1
CPC E05B 3/00; E05B 9/00; E05B 2009/004;
E05B 47/00; E05B 55/00; E05B 15/00;
E05C 7/00; E05C 19/08

See application file for complete search history.

(56) **References Cited**

U.S. PATENT DOCUMENTS

D481,614 S * 11/2003 Onel D8/331
6,834,896 B2 * 12/2004 Smith E05C 19/18
292/259 R
7,380,846 B1 * 6/2008 Moreno E05B 39/02
248/515
8,056,945 B2 * 11/2011 Moreno E05B 39/00
292/259 R
8,783,073 B1 * 7/2014 Derman E05B 73/0005
248/551
8,893,611 B2 * 11/2014 Scholz A47J 37/0611
99/349
8,998,155 B2 * 4/2015 Oh F16B 2/065
248/214
9,175,913 B2 * 11/2015 Cupps F41A 3/72
9,327,903 B2 * 5/2016 Toebes B65G 1/065
9,341,002 B2 * 5/2016 Kongshammer E05B 65/48

* cited by examiner

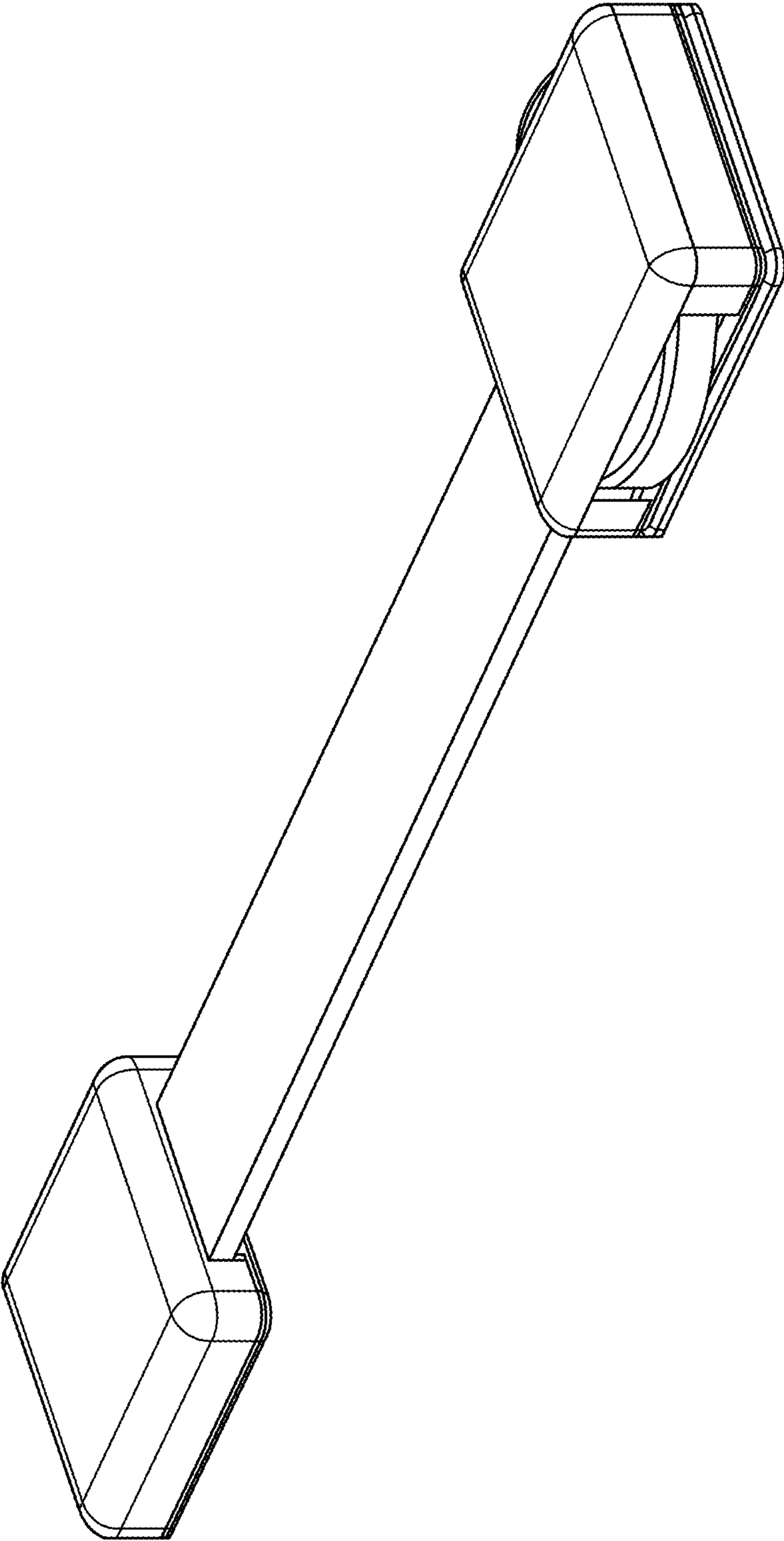


FIG. 1

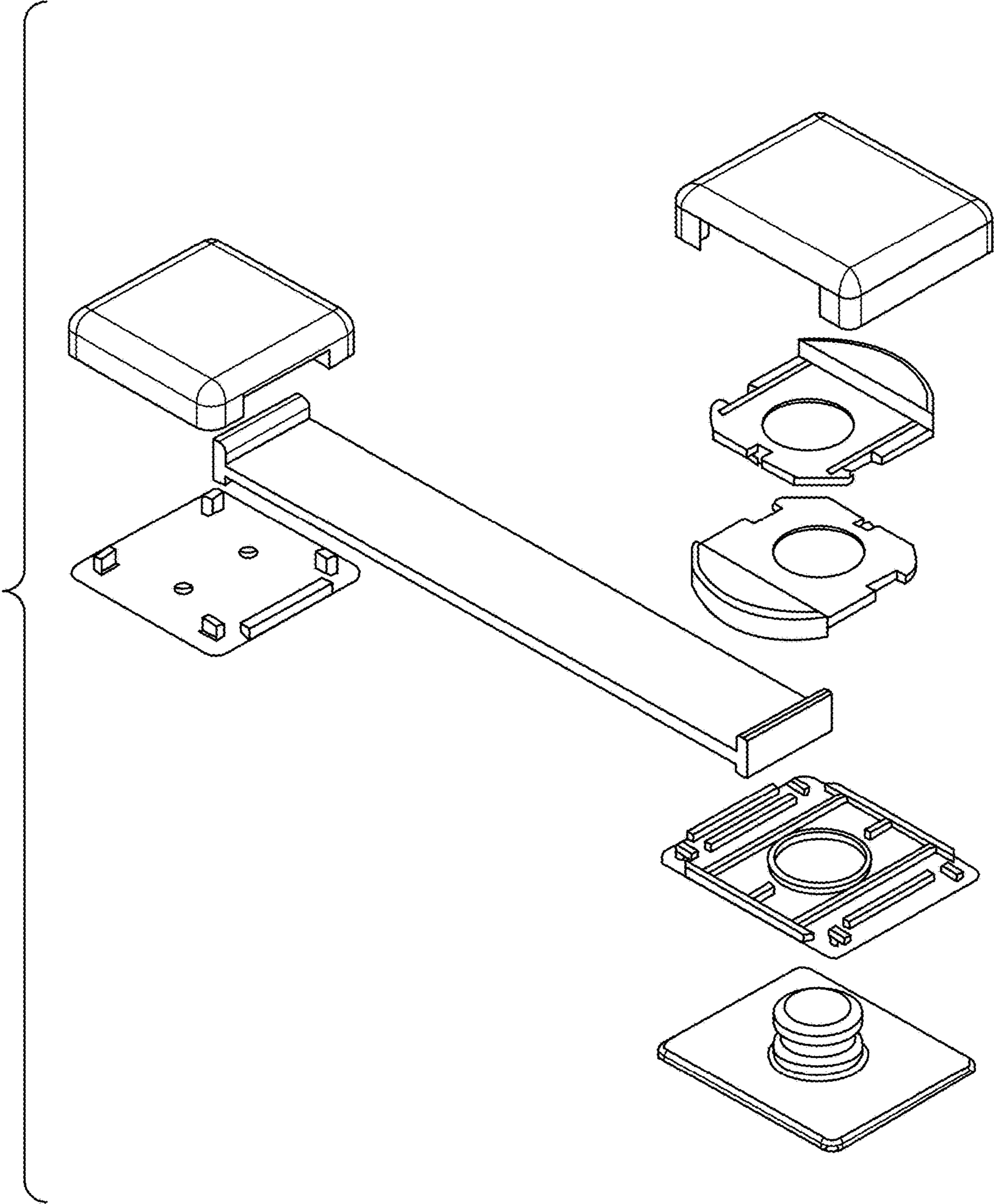


FIG. 2

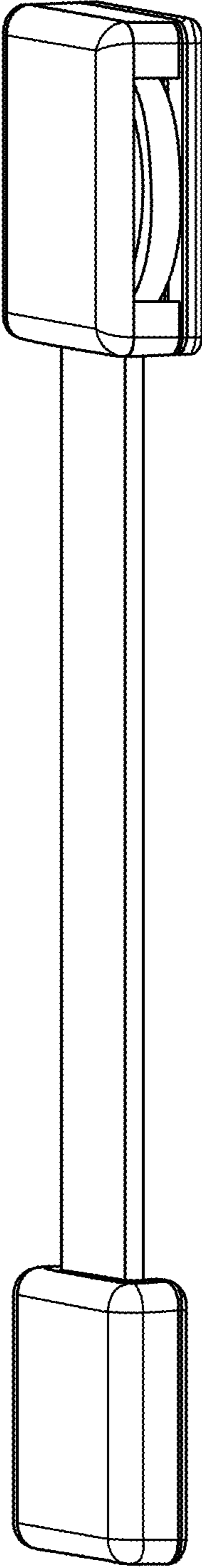


FIG. 3

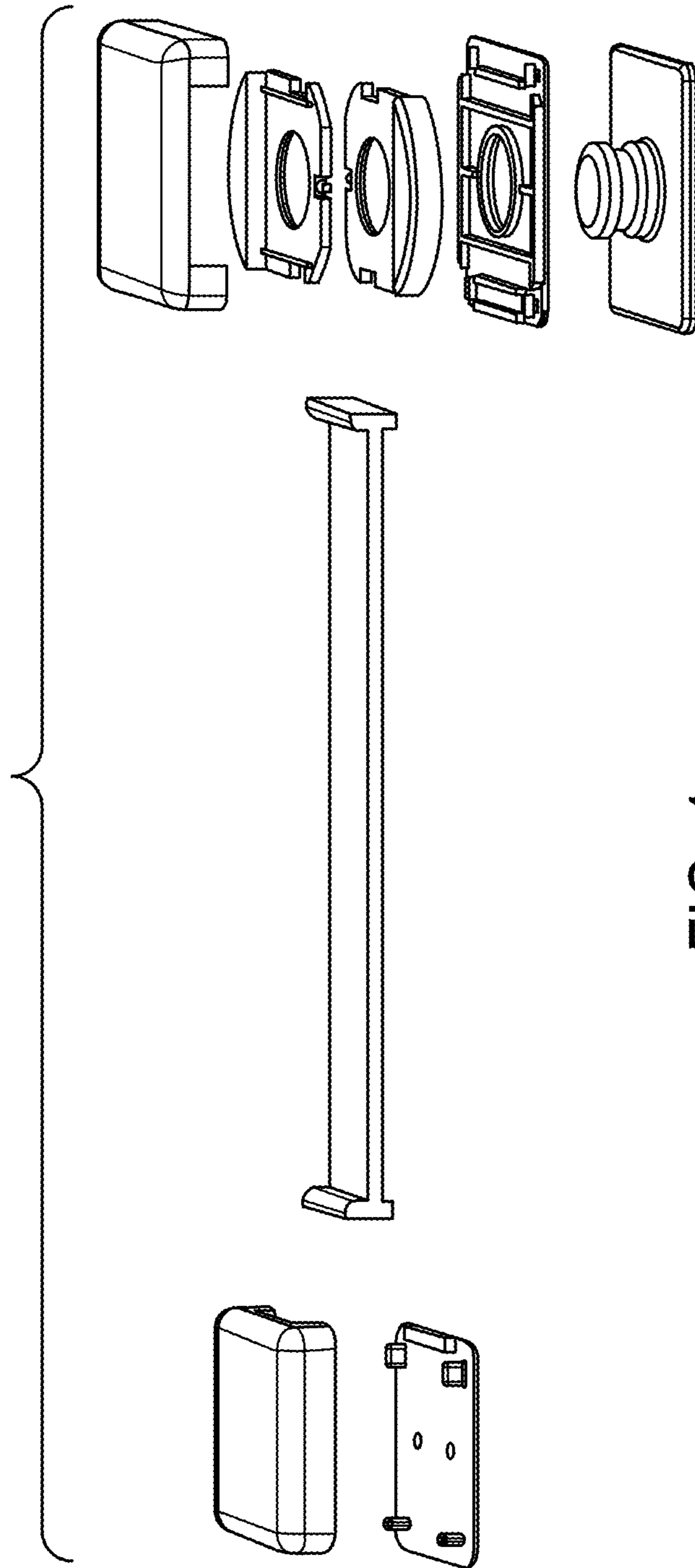


FIG. 4

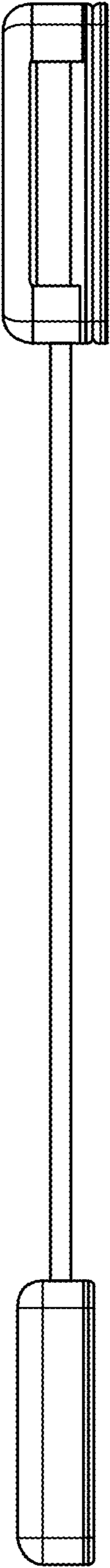


FIG. 5

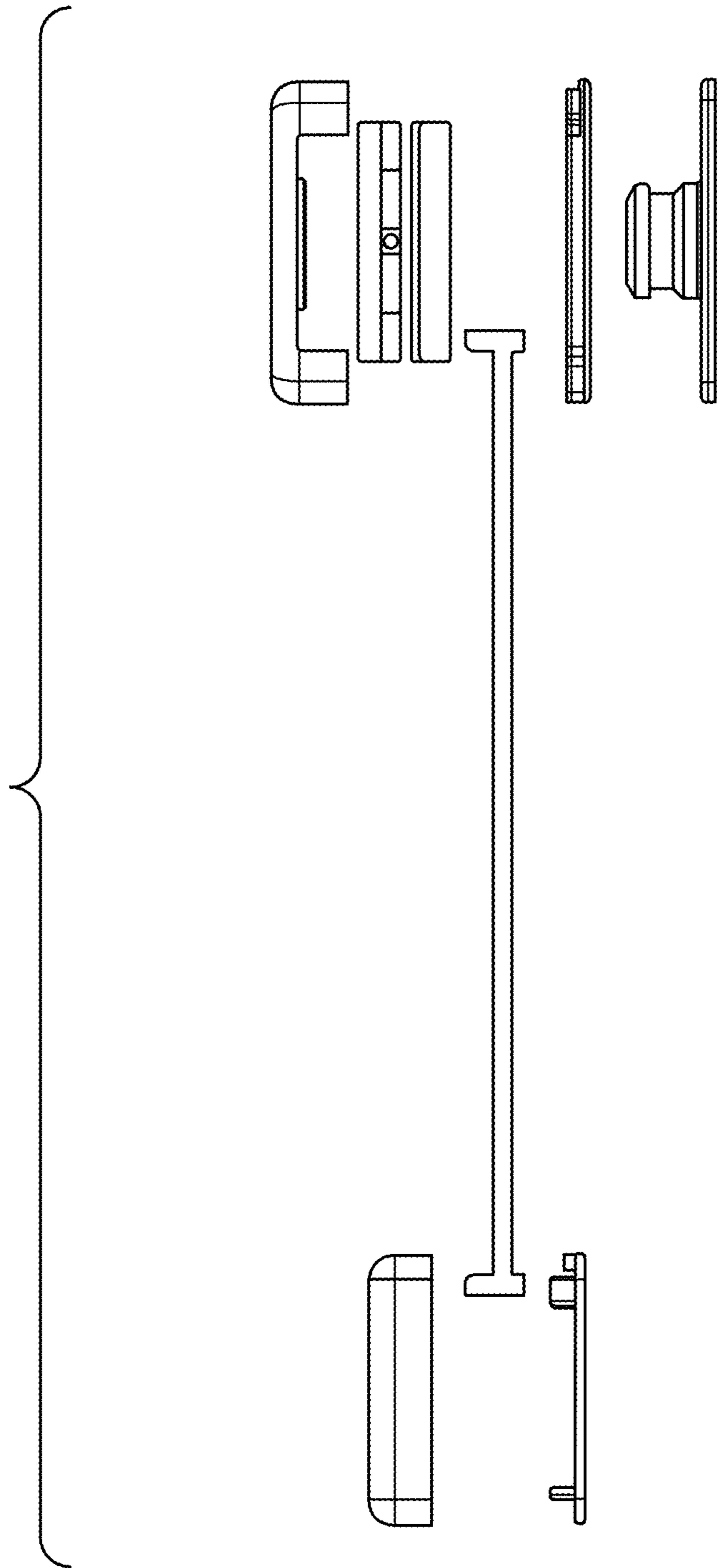


FIG. 6

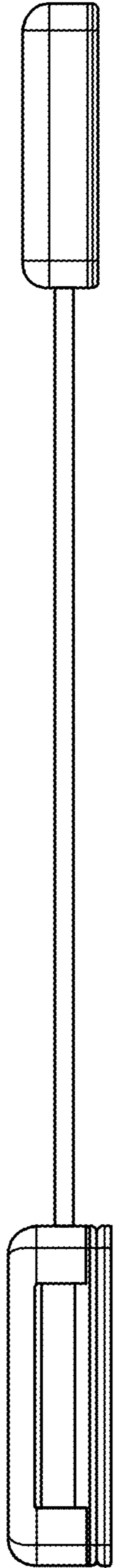


FIG. 7

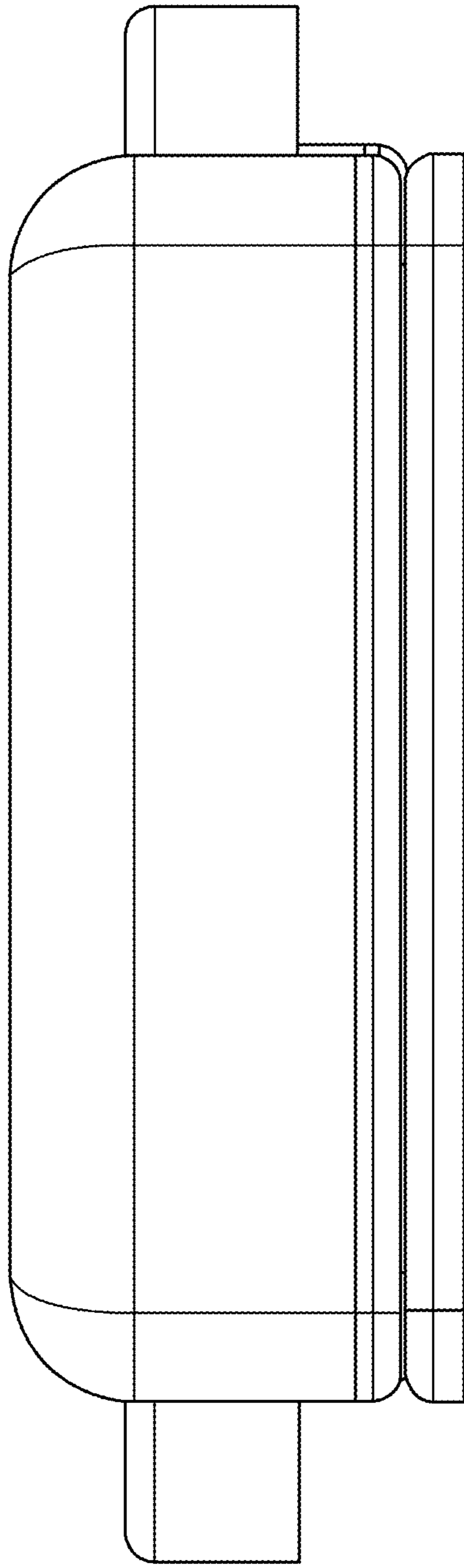


FIG. 9

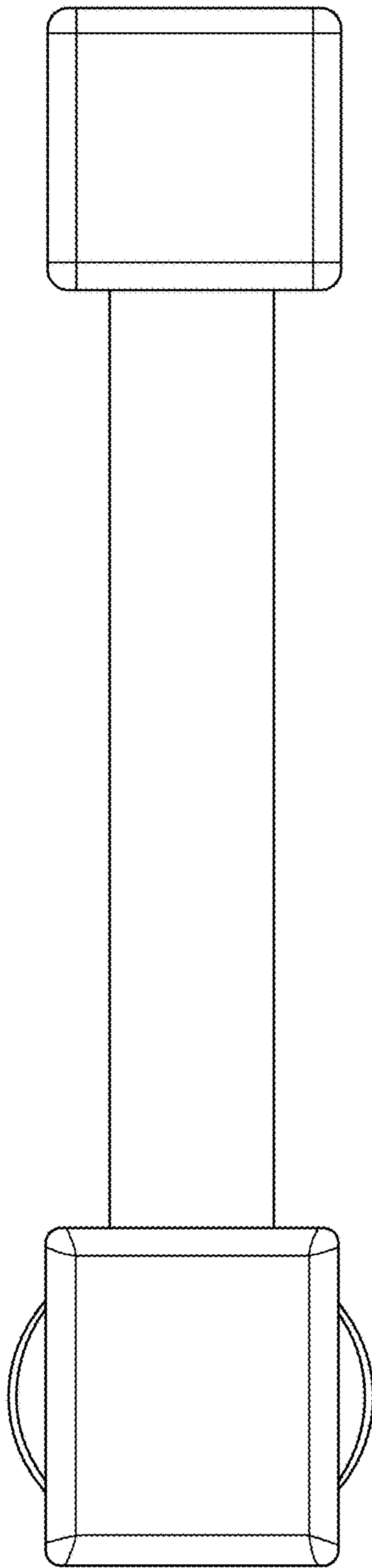


FIG. 10

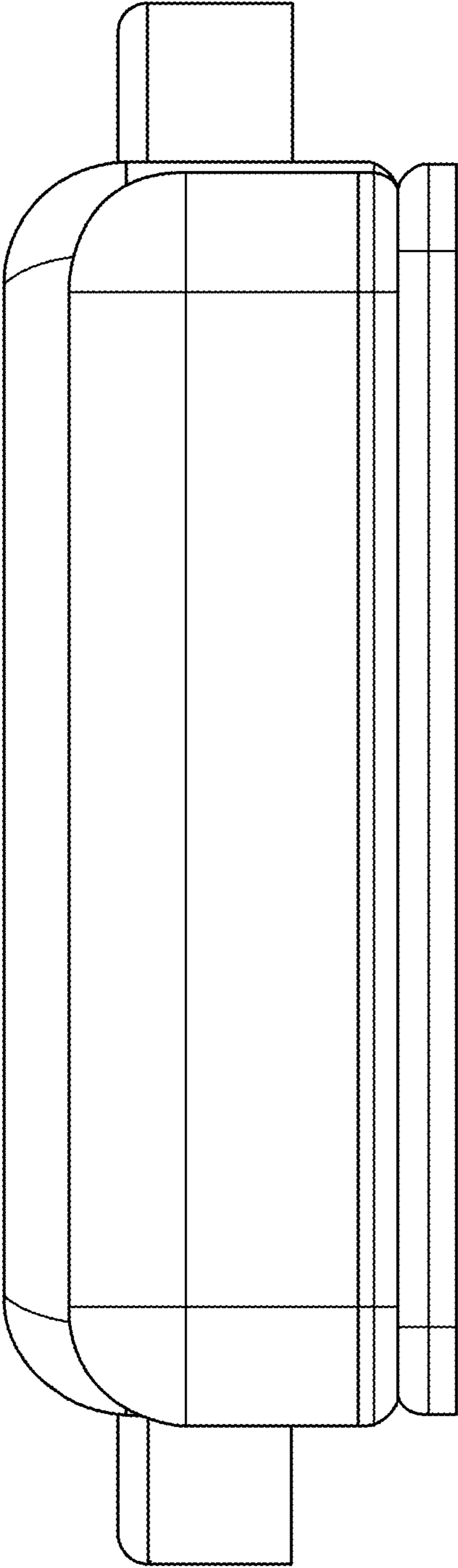


FIG. 11

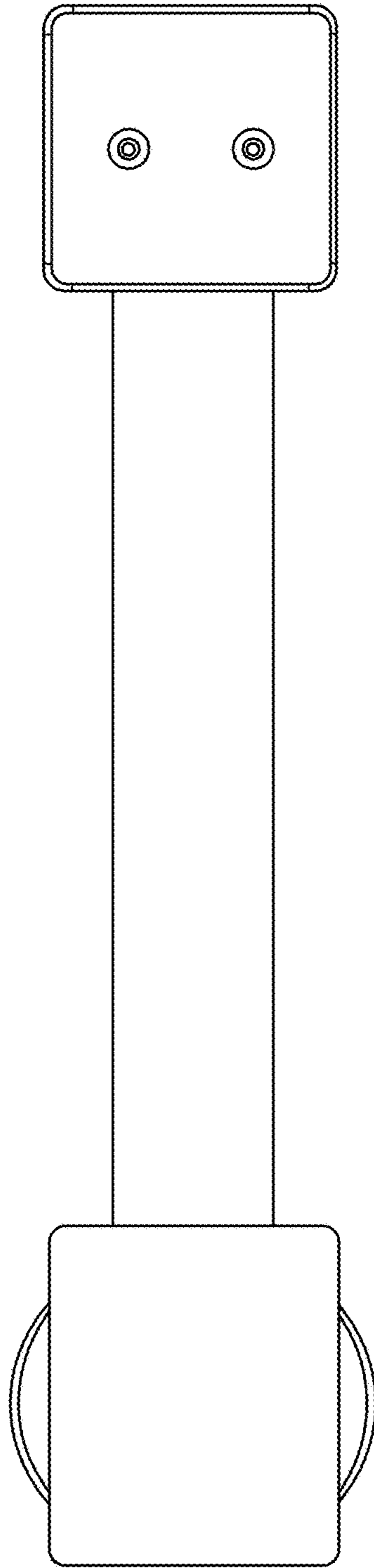


FIG. 12

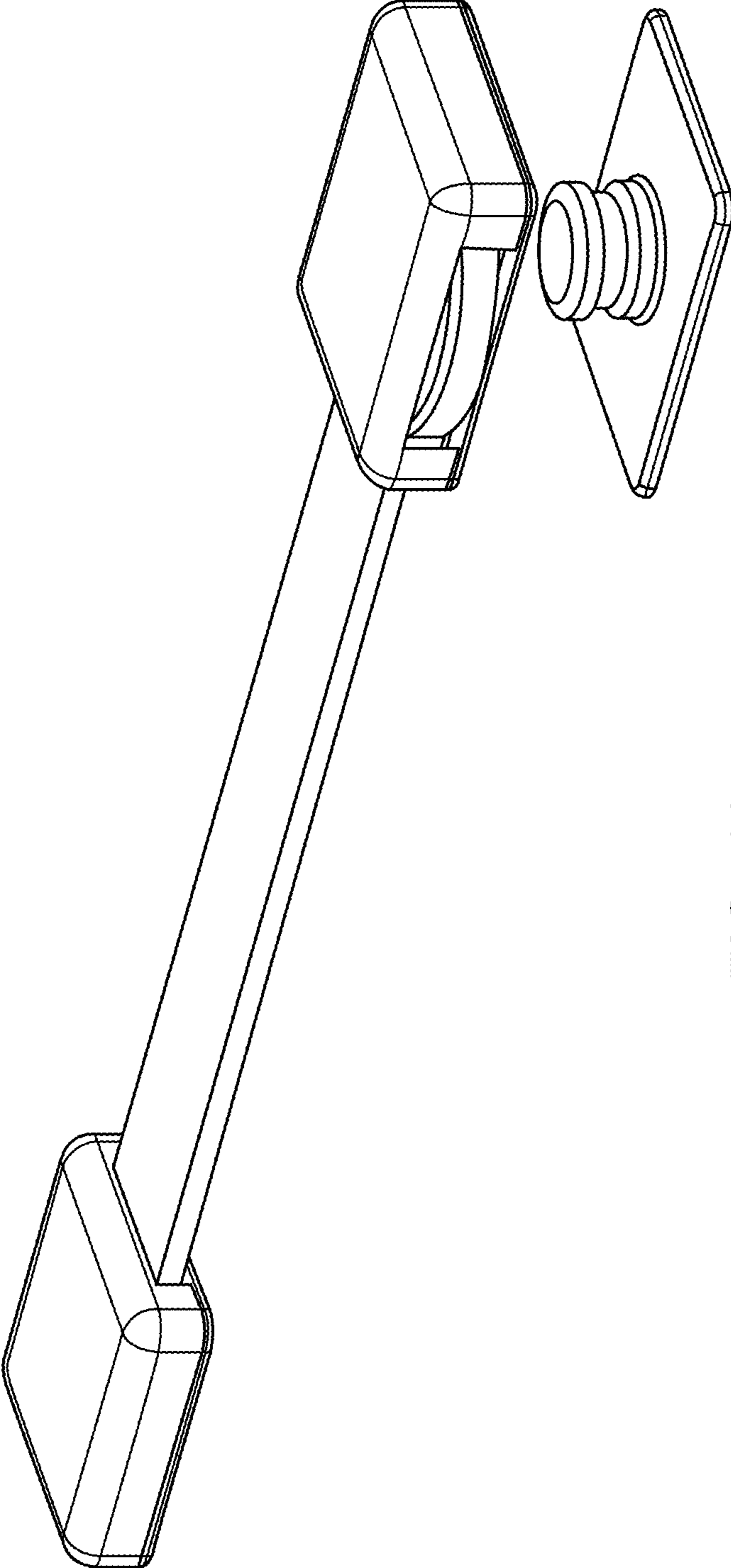


FIG. 13

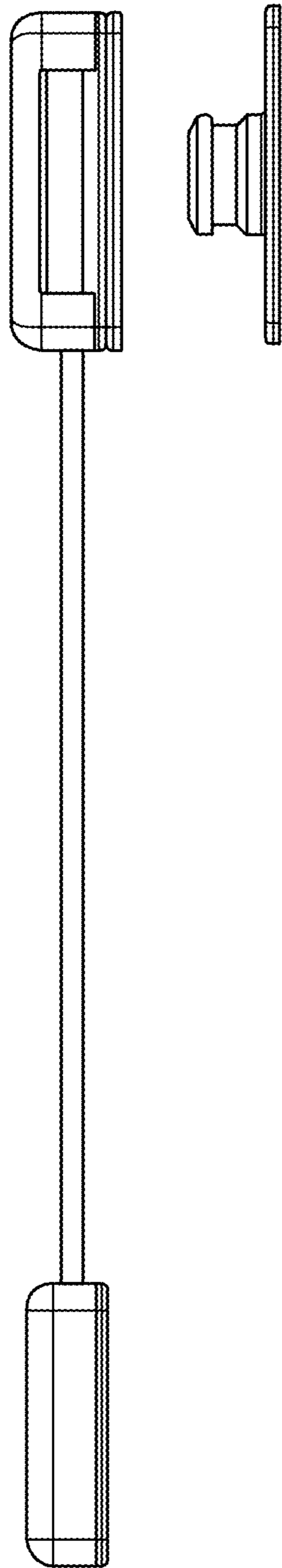


FIG. 14

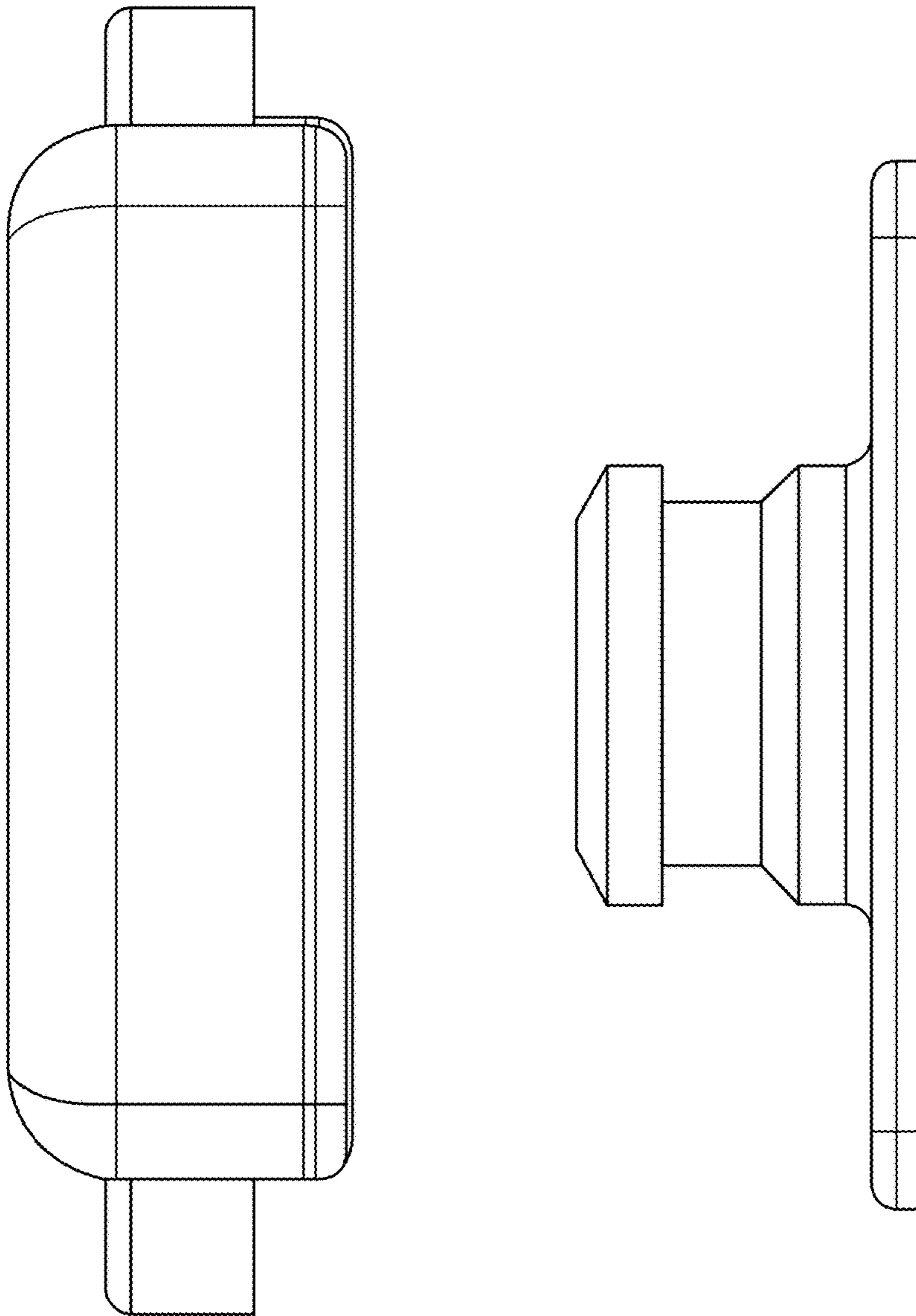


FIG. 15

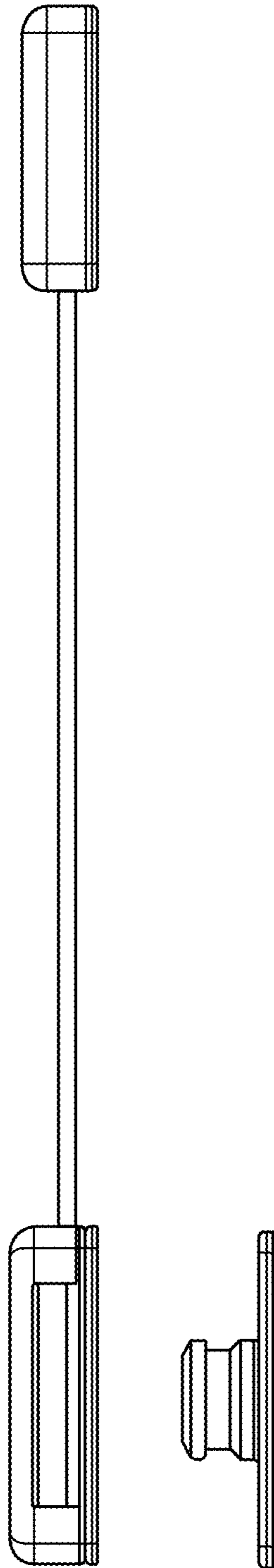


FIG. 16

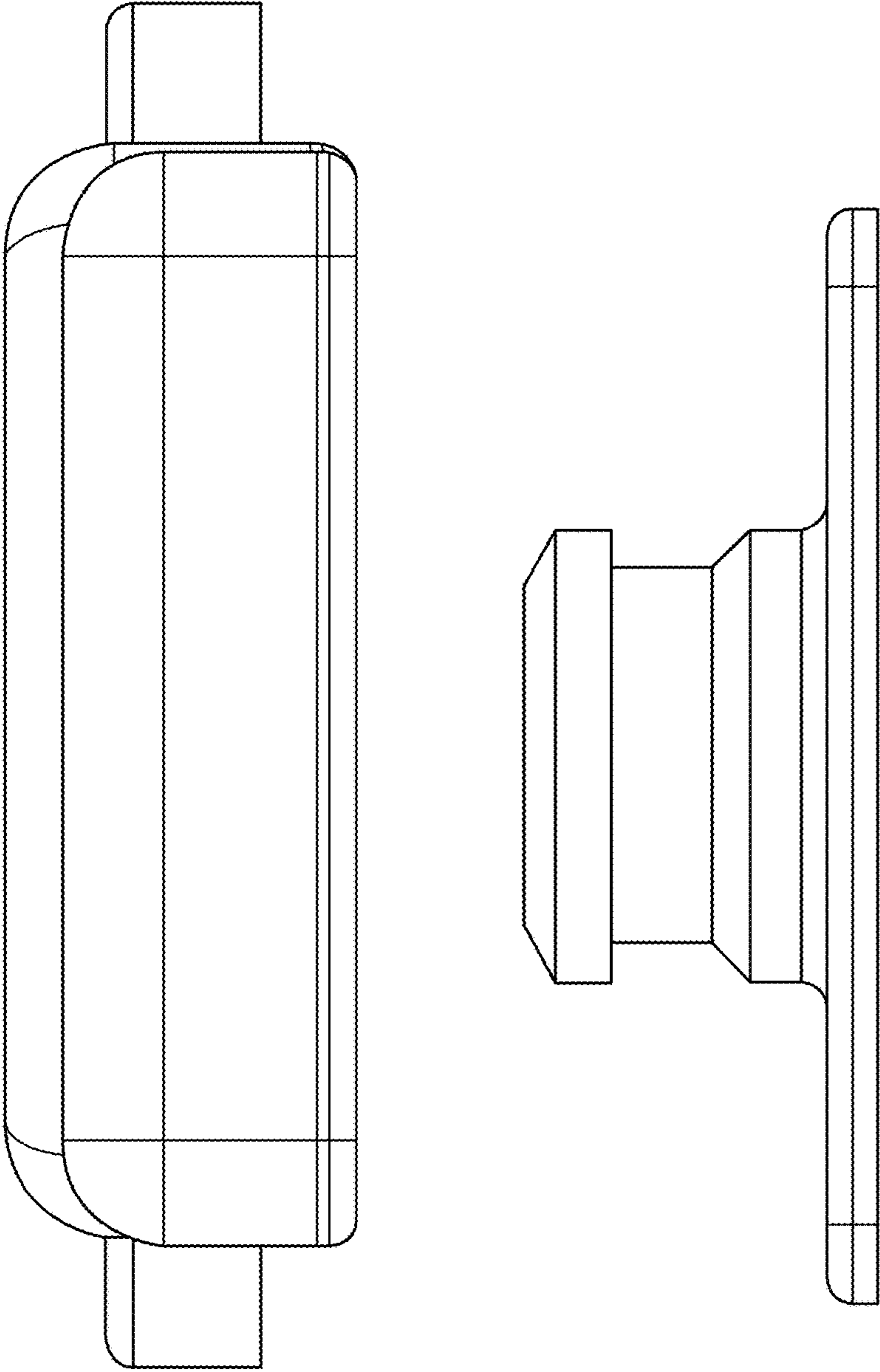


FIG. 17

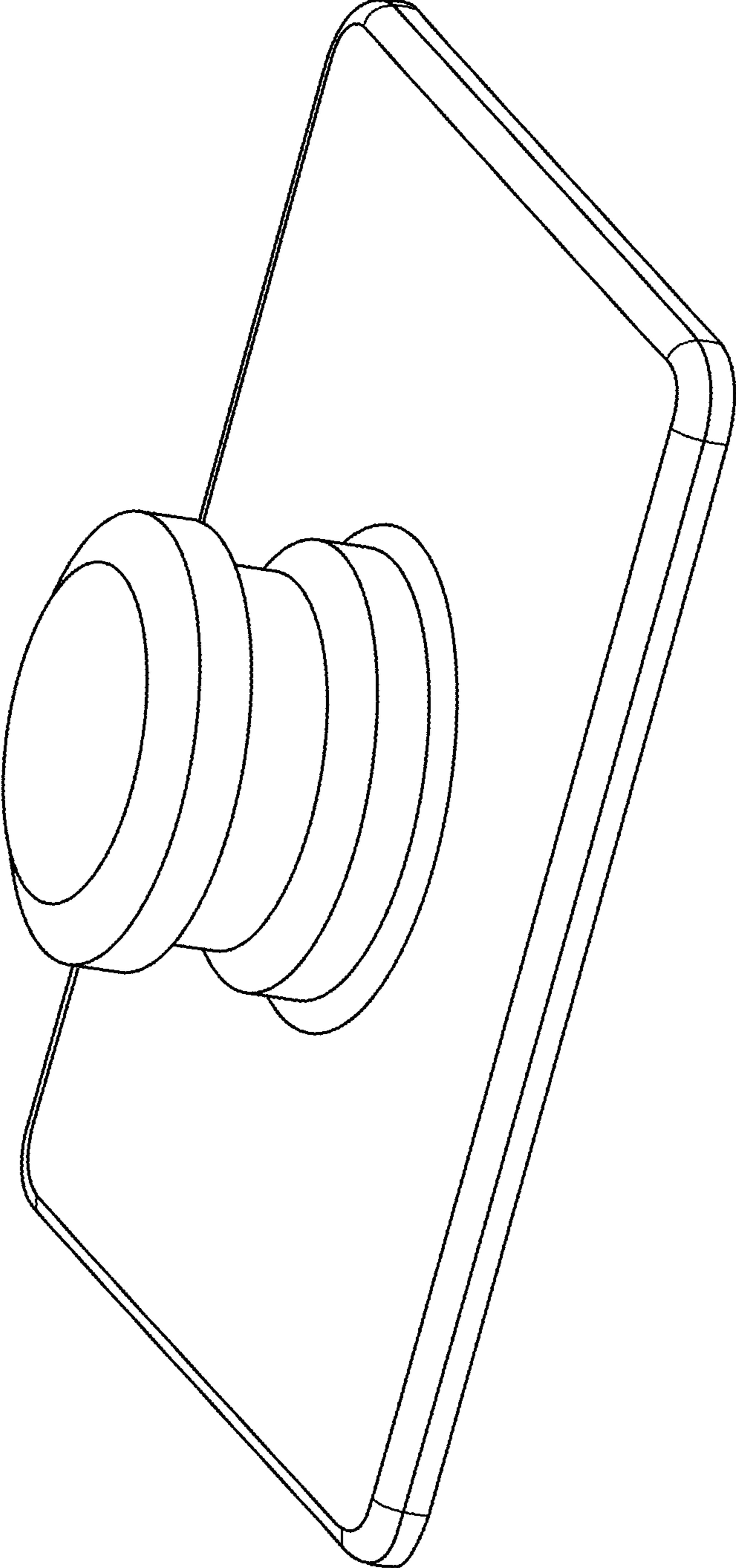


FIG. 18

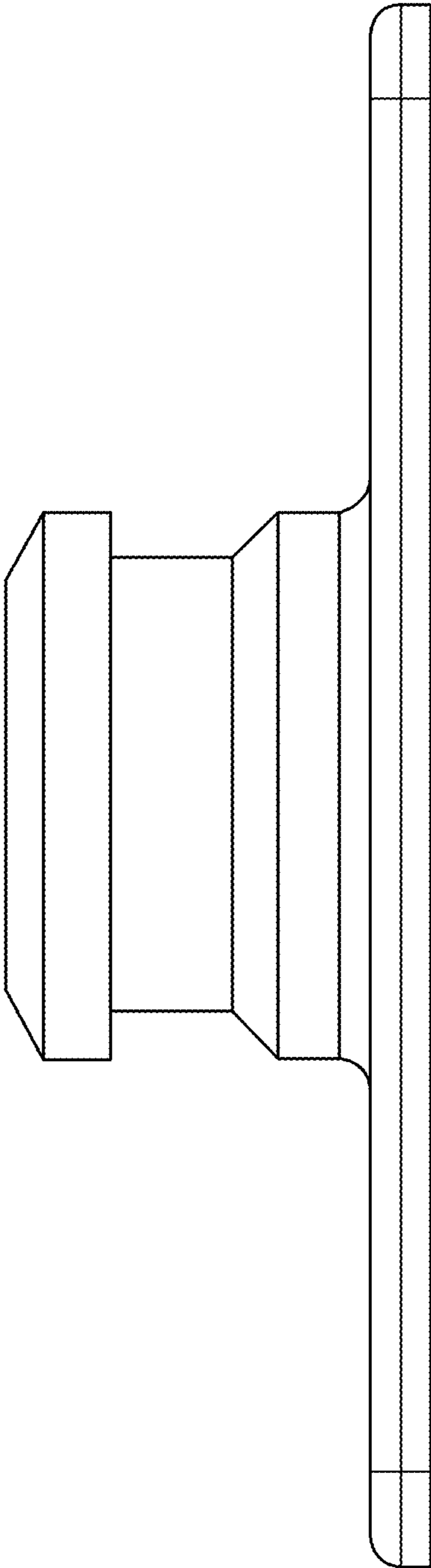


FIG. 19

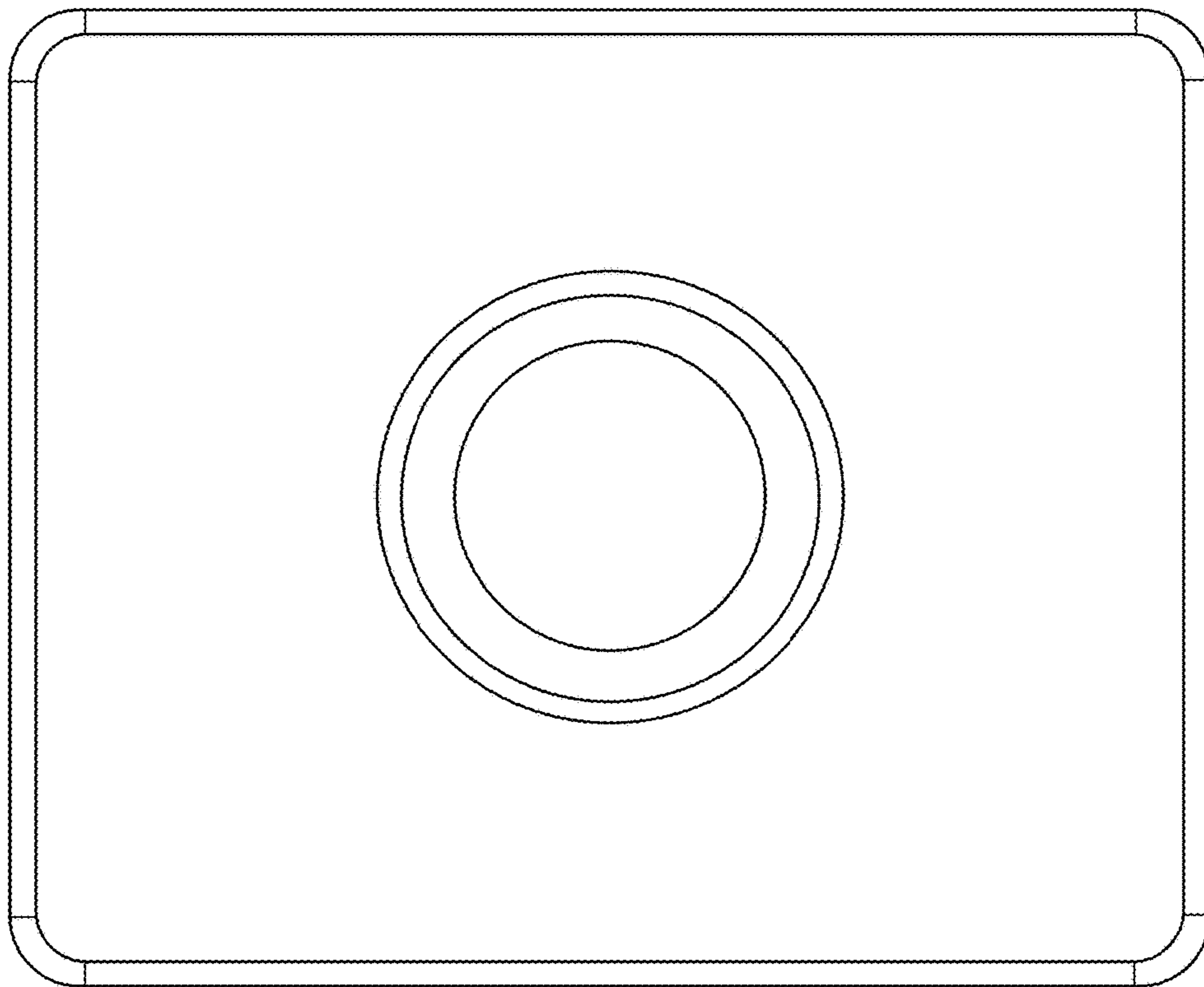


FIG. 20

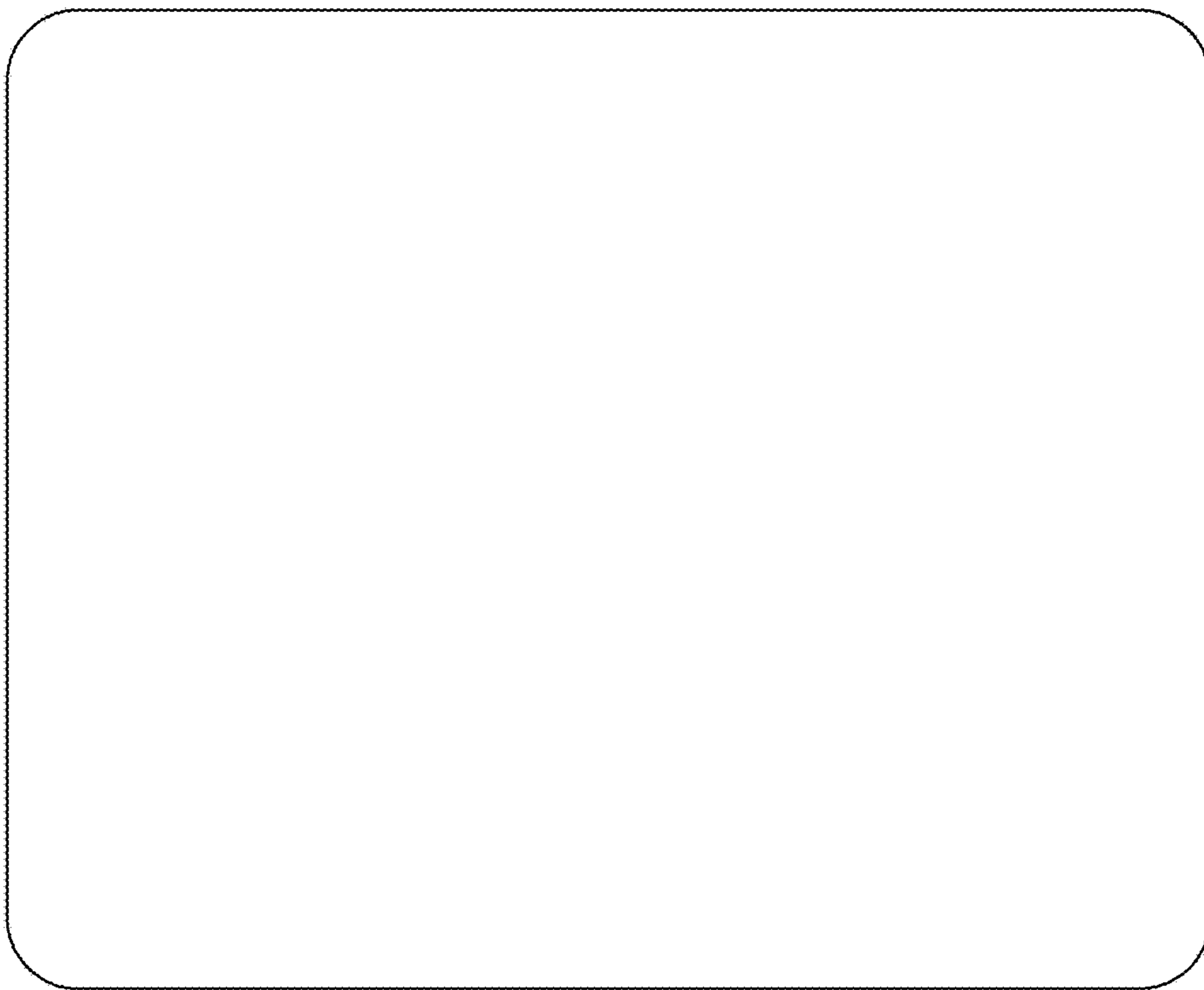


FIG. 21

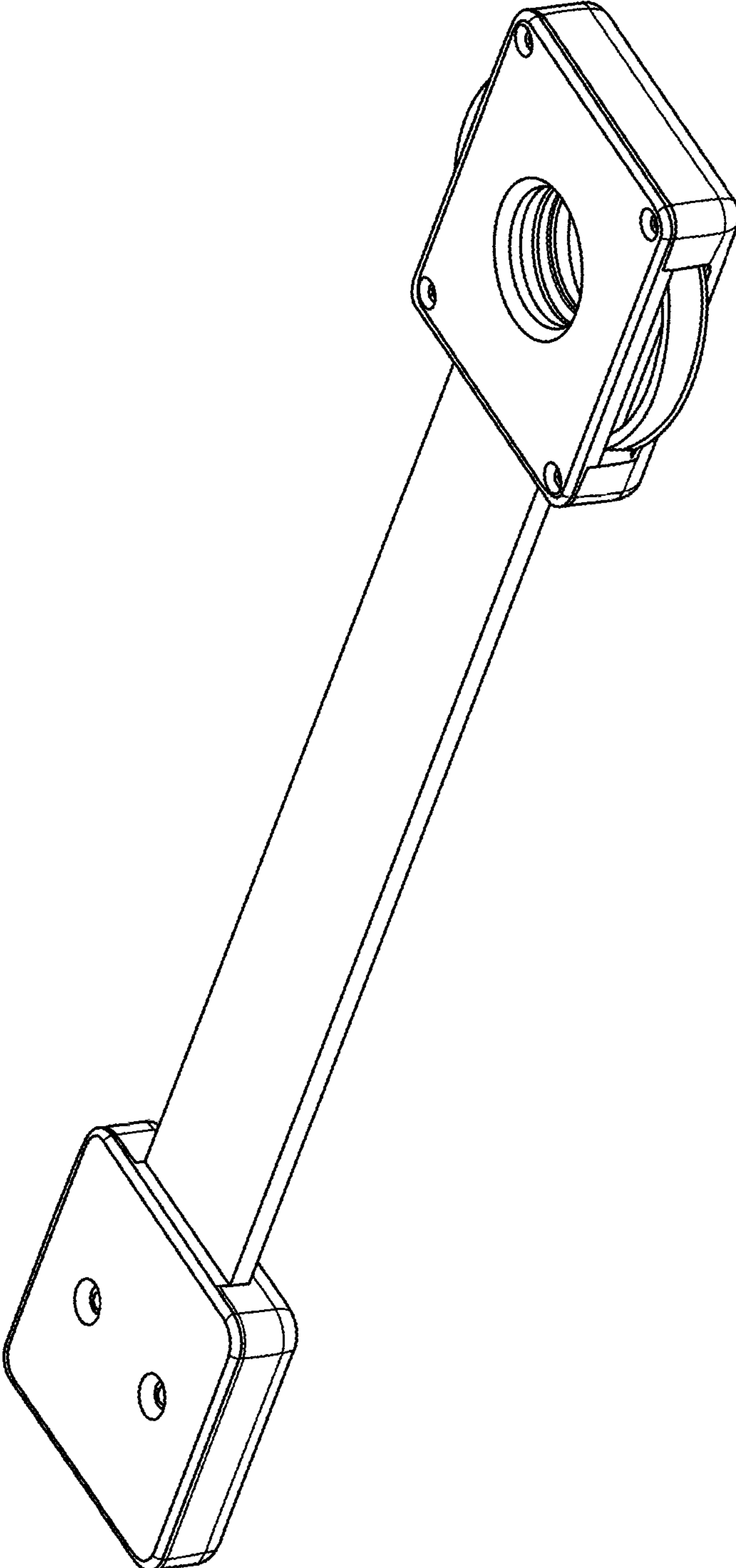


FIG. 22

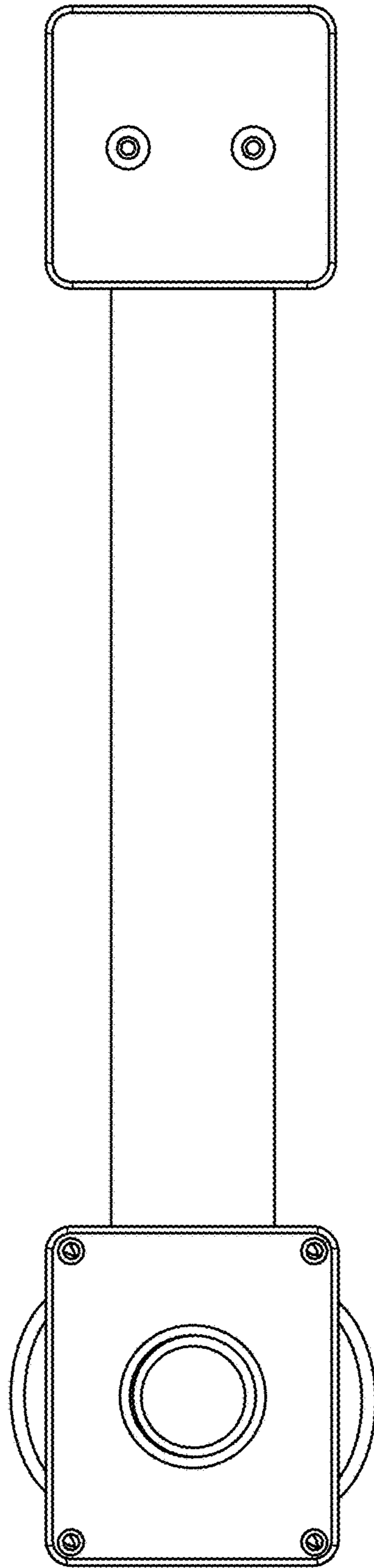


FIG. 23

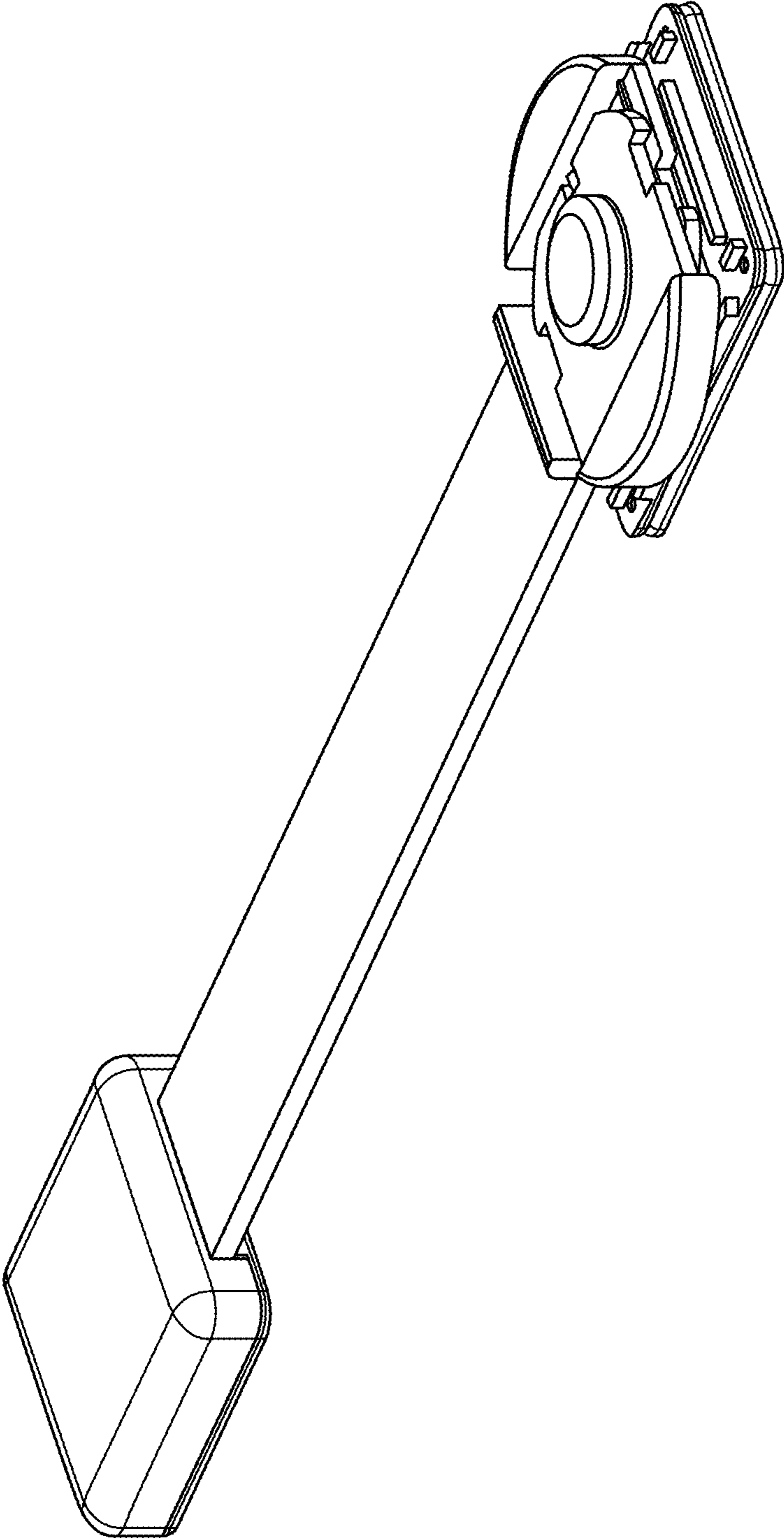


FIG. 24

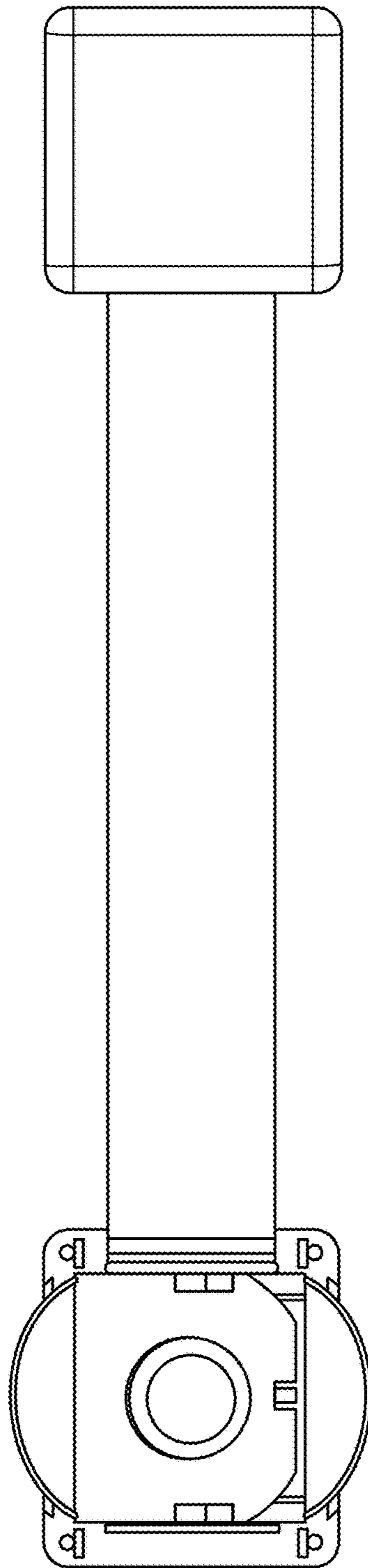


FIG. 25

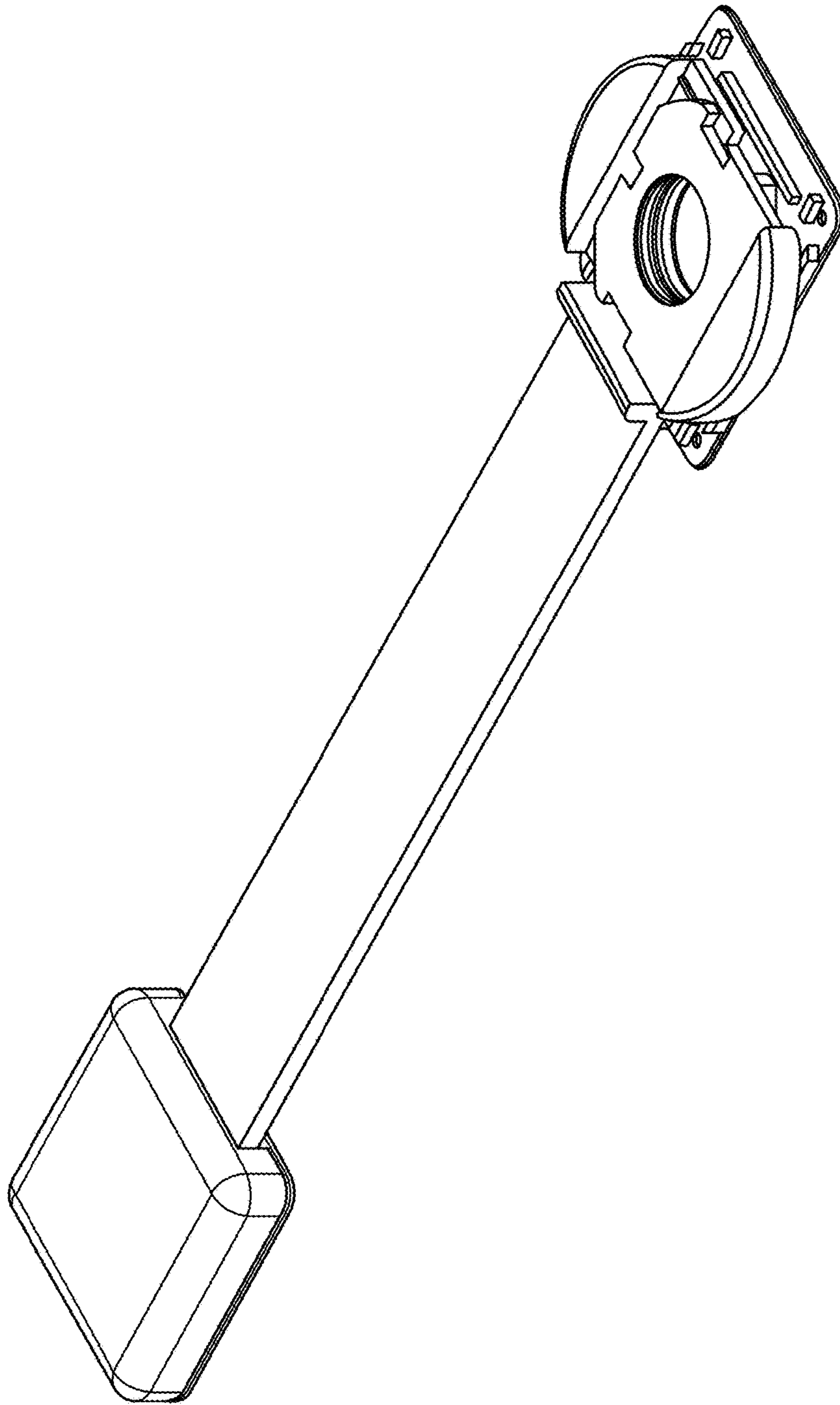


FIG. 26

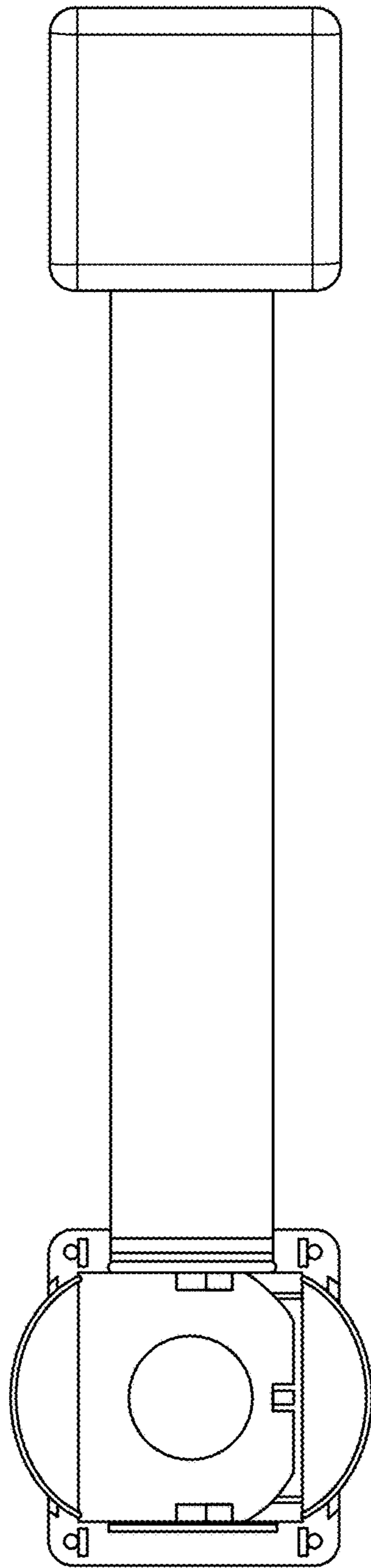


FIG. 27