



US00D780553S

(12) **United States Design Patent**
Tung

(10) **Patent No.:** **US D780,553 S**

(45) **Date of Patent:** **** Mar. 7, 2017**

(54) **HINGE**

(71) Applicant: **Marine Town Inc.**, New Taipei (TW)

(72) Inventor: **Chin-Chung Tung**, New Taipei (TW)

(73) Assignee: **Marine Town Inc.**, New Taipei (TW)

(**) Term: **15 Years**

(21) Appl. No.: **29/543,522**

(22) Filed: **Oct. 26, 2015**

(51) **LOC (10) Cl.** **08-06**

(52) **U.S. Cl.**
USPC **D8/323**

(58) **Field of Classification Search**
USPC D8/323, 328; 16/387, 342, 337; D23/323
CPC .. E05D 1/00; E05D 11/06; E05D 5/10; E05D
3/02; E05D 11/082; A47K 13/12
See application file for complete search history.

(56) **References Cited**

U.S. PATENT DOCUMENTS

3,104,428	A *	9/1963	Benham	E05D 5/0215
					16/235
4,231,135	A *	11/1980	Fradin	A47C 7/021
					16/225
D274,293	S *	6/1984	Goepfer	D11/212
D303,491	S *	9/1989	Bisbing	D8/323
D349,130	S *	7/1994	Nigris	D19/88
D352,678	S *	11/1994	Fildan	D11/212
D611,544	S *	3/2010	Liptan	D19/88

D623,041	S *	9/2010	Ayrest	D8/323
7,861,374	B2 *	1/2011	Verdicchio	E05D 1/02
					16/225
2015/0245510	A1 *	8/2015	Hsu	H05K 5/0226
					16/250
2016/0010375	A1 *	1/2016	Rittenhouse	G06F 1/1683
					361/679.27

* cited by examiner

Primary Examiner — Cynthia Underwood

(74) *Attorney, Agent, or Firm* — WPAT, P.C., Intellectual Property Attorneys; Anthony King

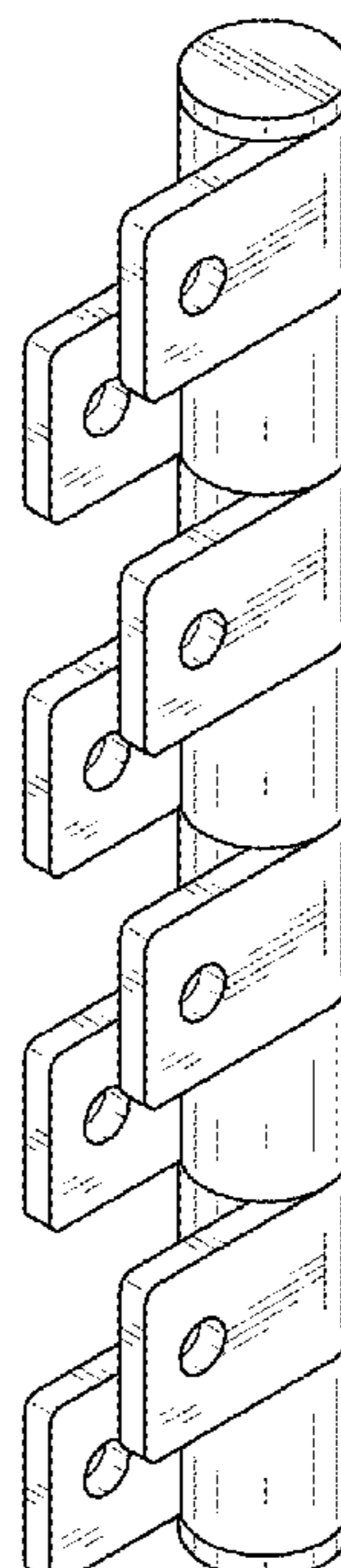
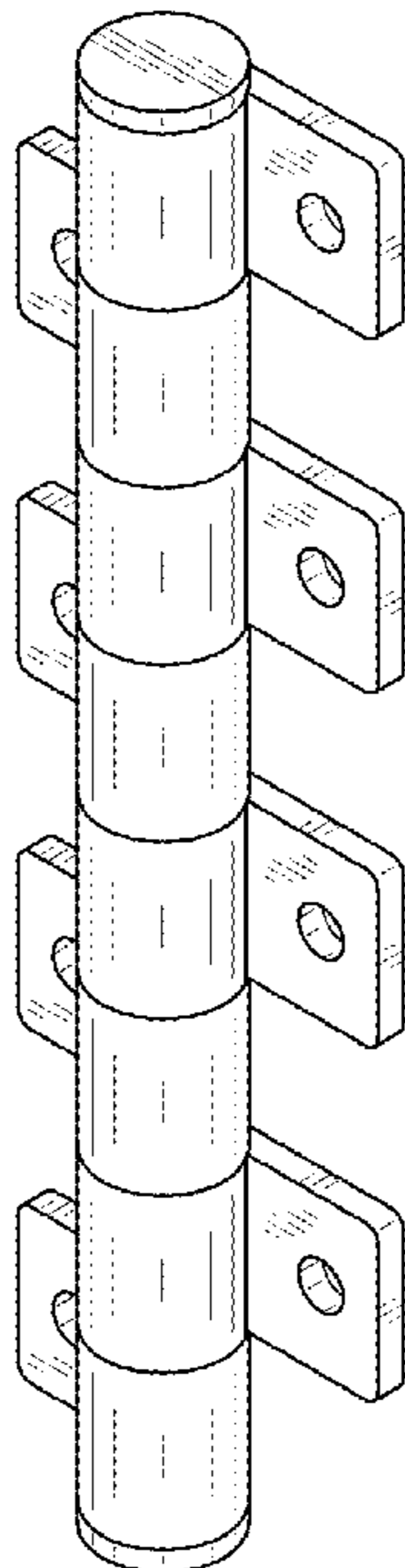
(57) **CLAIM**

The ornamental design for a “hinge,” as shown and described.

DESCRIPTION

FIG. 1 is a perspective view of a hinge showing our new design thereof;
FIG. 2 is a front elevational view thereof;
FIG. 3 is a rear elevational view thereof;
FIG. 4 is a left side elevational view thereof;
FIG. 5 is a right side elevational view thereof;
FIG. 6 is a top plan view thereof;
FIG. 7 is a bottom plan view;
FIG. 8 is another perspective view thereof; and,
FIG. 9 is a perspective view thereof, shown in an alternate position of use.

1 Claim, 9 Drawing Sheets



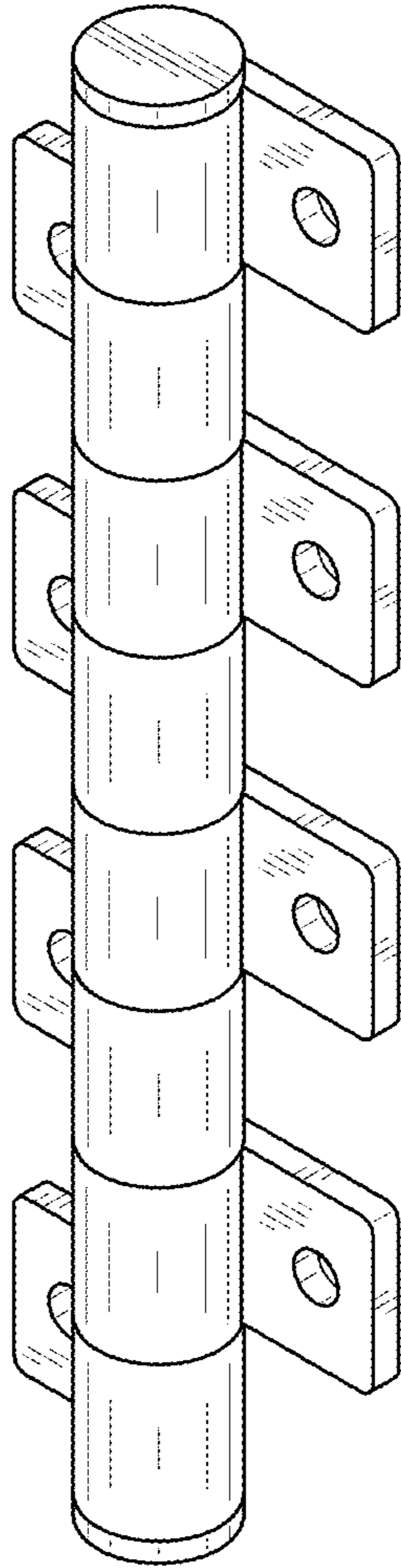


FIG.1

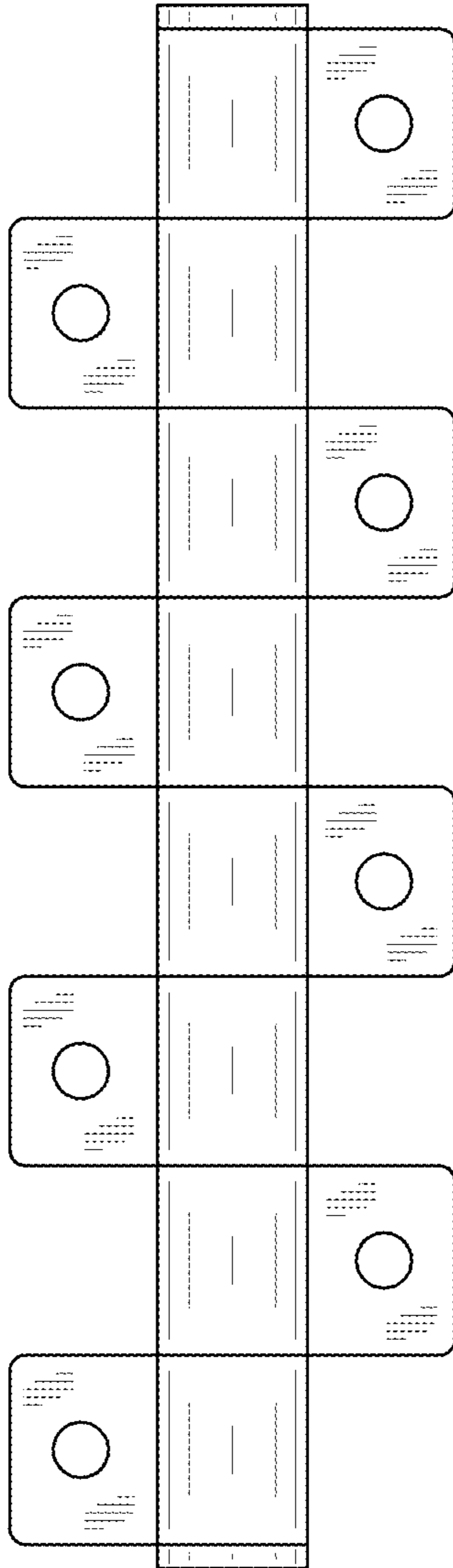


FIG.2

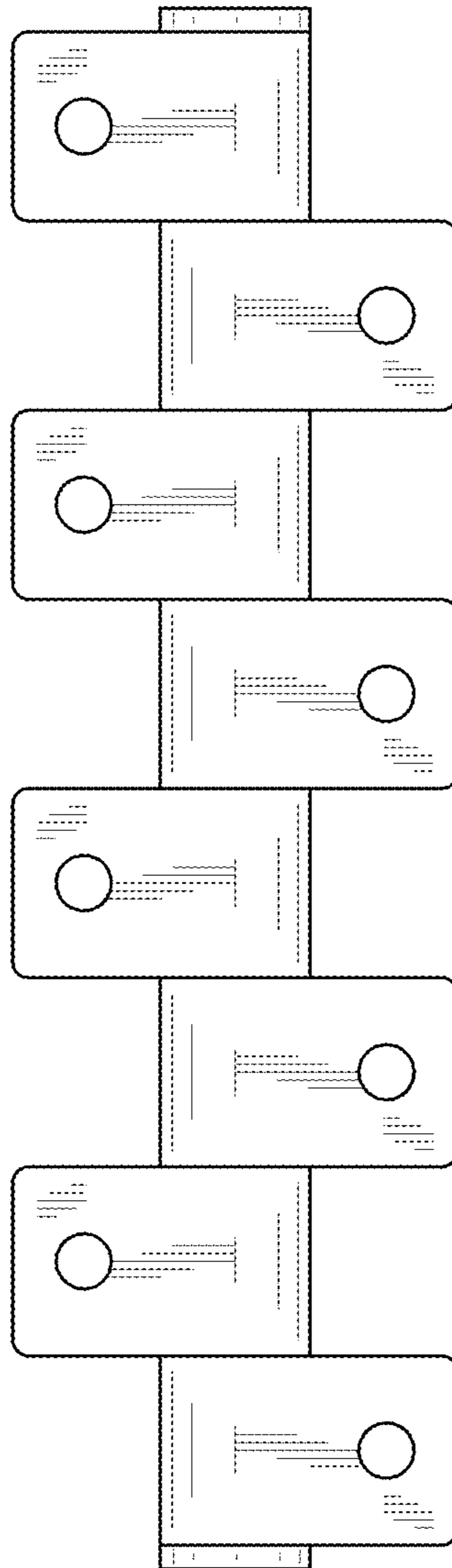


FIG.3

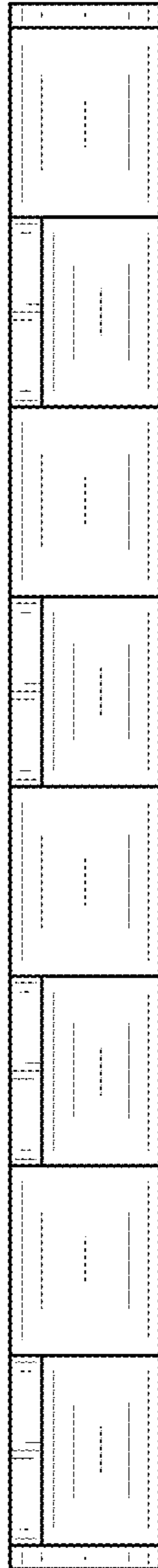


FIG.4

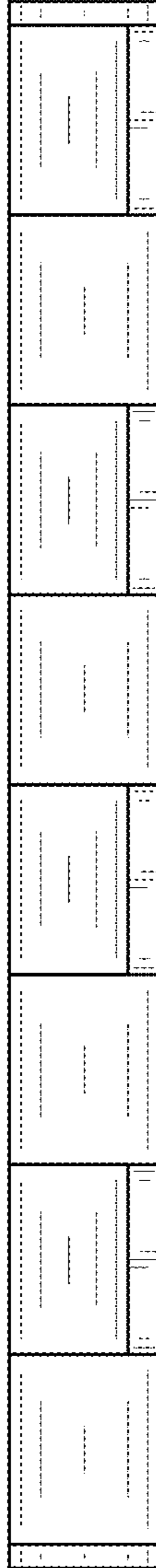


FIG.5

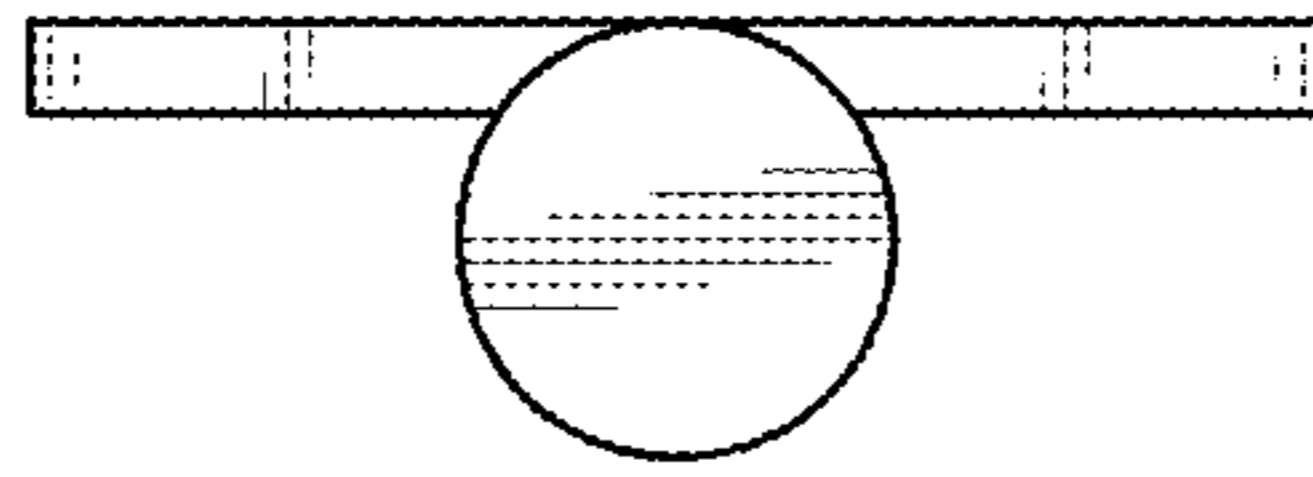


FIG.6

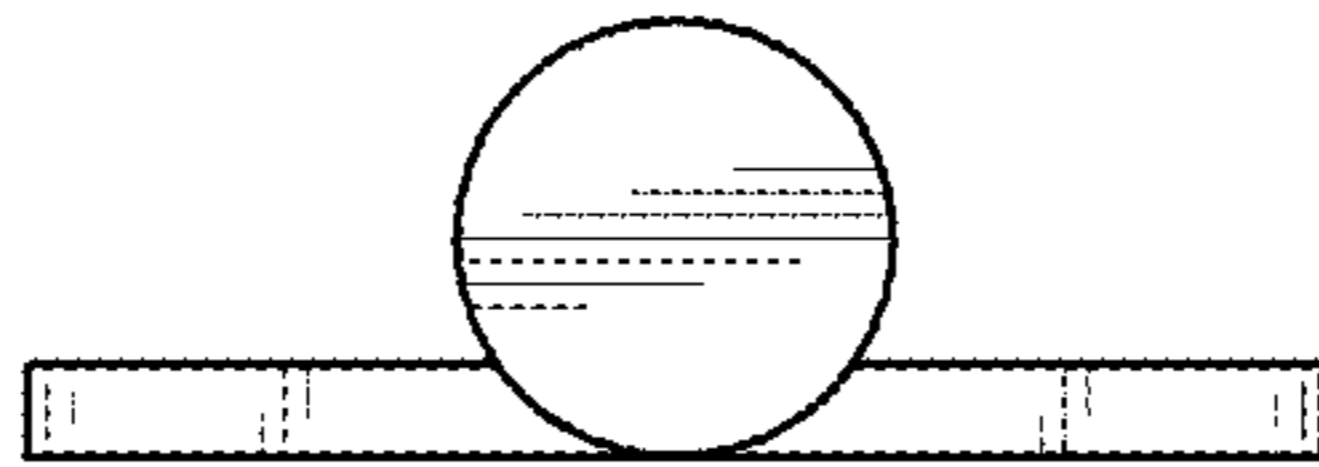


FIG.7

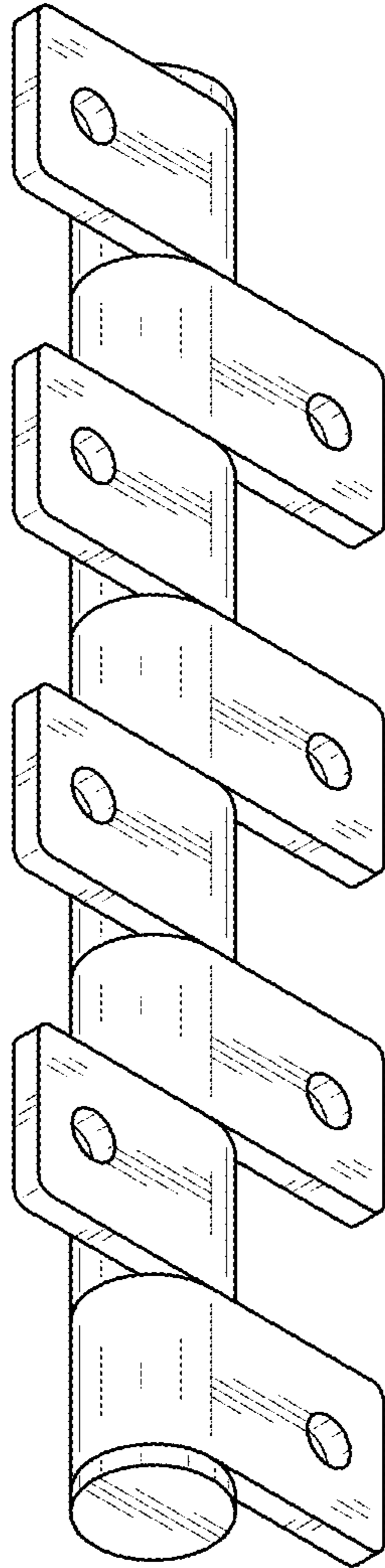


FIG.8

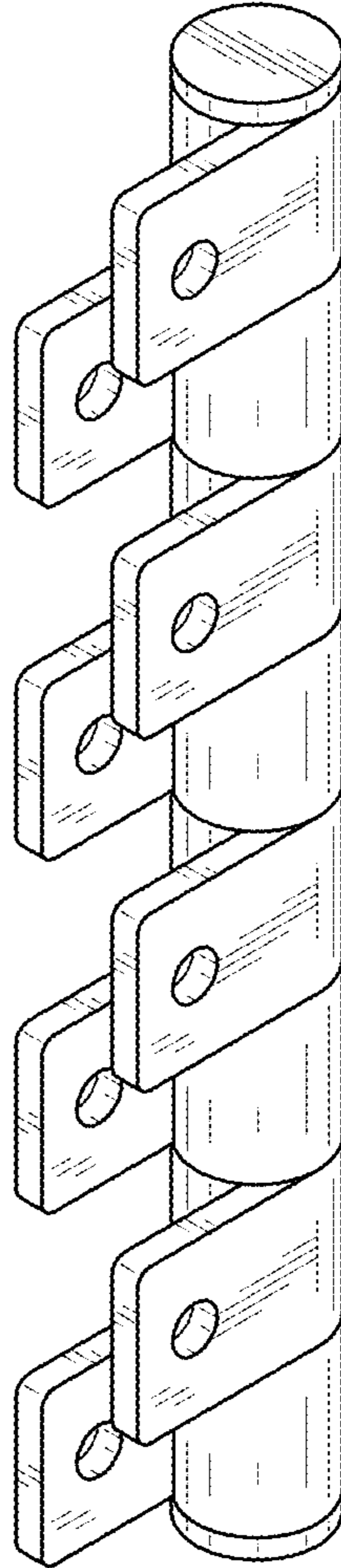


FIG.9