



US00D780551S

(12) **United States Design Patent** (10) **Patent No.:** **US D780,551 S**
Zimmer (45) **Date of Patent:** **** Mar. 7, 2017**

(54) **CABINET KNOB**

E05B 55/005; E05B 1/00; E05B 85/107;
E05B 3/00

(71) Applicant: **Top Knobs USA, Inc.**, Hillsborough,
NJ (US)

See application file for complete search history.

(72) Inventor: **Christine Zimmer**, Hillsborough, NJ
(US)

(56) **References Cited**

(73) Assignee: **TOP KNOBS USA, INC.**,
Hillsborough, NJ (US)

U.S. PATENT DOCUMENTS

(**) Term: **15 Years**

1,711,209	A	*	4/1929	Robb	E05B 1/0007 292/347
D257,214	S	*	10/1980	Withers	D8/310
D290,495	S	*	6/1987	Ryan	D23/250
D310,709	S	*	9/1990	Jans	D23/250
D418,388	S	*	1/2000	O'Neil	D8/310
D430,696	S	*	9/2000	Borders	D26/113
D543,087	S	*	5/2007	Soriano	D8/310
D553,942	S	*	10/2007	Jou	D8/305
D564,333	S	*	3/2008	McConnell	D8/310
D728,341	S	*	5/2015	Zimmer	D8/307
D766,064	S	*	9/2016	Yuki	D8/310
2006/0055183	A1	*	3/2006	Wheatland	E05B 1/0007 292/336.3
2014/0217755	A1	*	8/2014	Kom	E05B 3/00 292/336.3

(21) Appl. No.: **29/548,222**

(22) Filed: **Dec. 11, 2015**

(51) **LOC (10) Cl.** **08-06**

(52) **U.S. Cl.**
USPC **D8/310**

* cited by examiner

(58) **Field of Classification Search**
USPC D8/300, 305, 307, 310, 311, 312;
D7/393; D23/250, 254; 16/110.1, 413,
16/414, 415, 417, 422, 441, DIG. 30;
292/336.3, 347

Primary Examiner — Derrick Holland
Assistant Examiner — Lauren Calve
(74) *Attorney, Agent, or Firm* — Schultz & Associates,
P.C.

CPC ... Y10T 292/57; Y10T 292/82; Y10T 16/469;
Y10T 16/44; Y10T 16/506; Y10T 292/85;
Y10T 16/458; Y10T 74/2084; Y10T
16/46; Y10T 16/459; Y10T 74/20732;
Y10T 292/03; Y10T 16/4713; Y10T
16/466; Y10T 292/88; Y10T 29/49599;
Y10T 16/487; Y10T 16/462; Y10T
16/4636; Y10T 74/20864; Y10T 70/5155;
Y10T 16/4559; Y10T 292/0951; Y10T
292/0891; Y10T 292/0934; Y10T
292/0968; E05B 1/0007; E05B 1/0015;
E05B 79/06; E05B 85/10; E05B 1/0053;

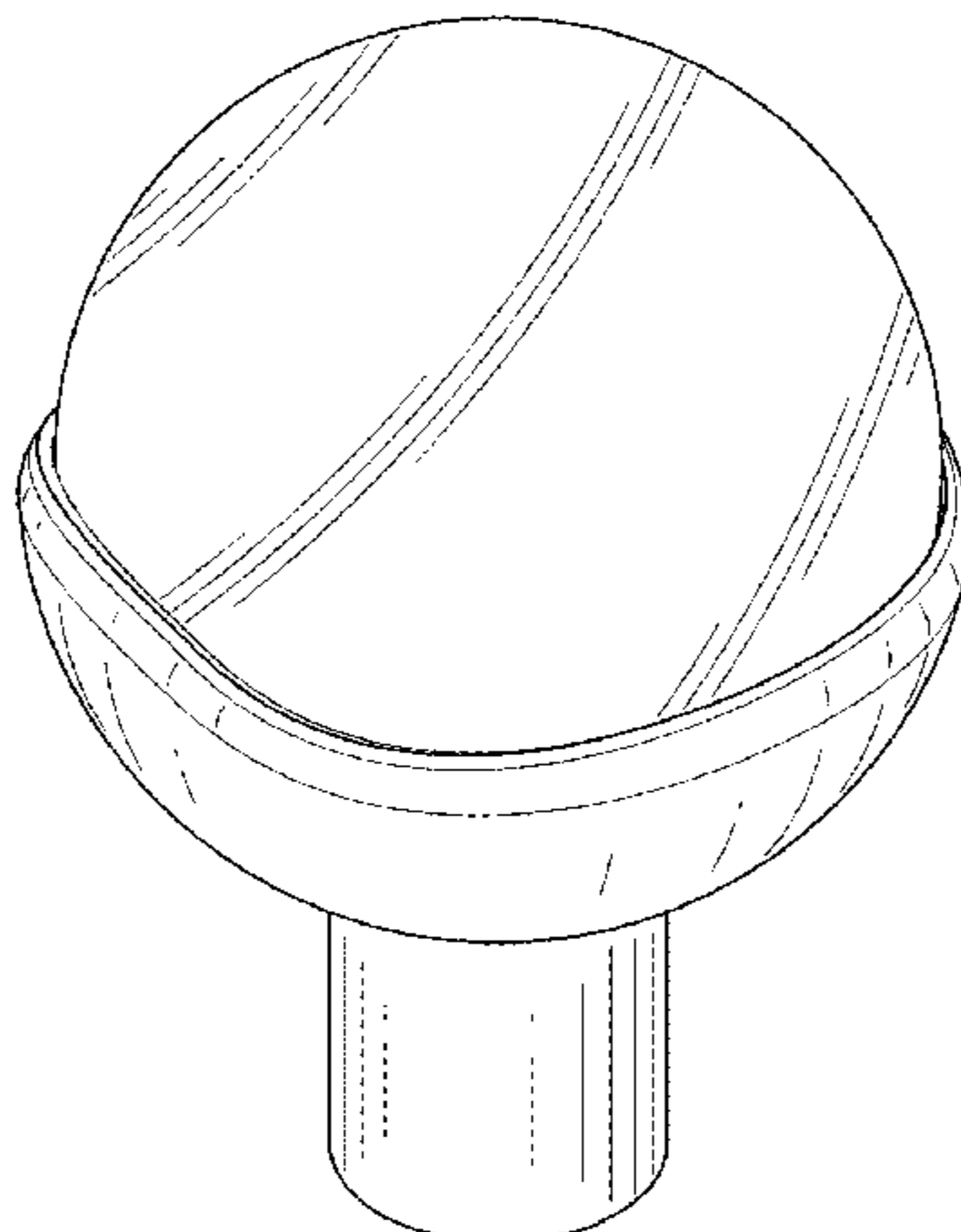
(57) **CLAIM**

The ornamental design for a cabinet knob, as shown and described.

DESCRIPTION

FIG. 1 is a perspective view of a cabinet knob showing my new design;
FIG. 2 is a side elevation view thereof;
FIG. 3 is a second side elevation view thereof;
FIG. 4 is a third side elevation view thereof;
FIG. 5 is a top plan view thereof; and,
FIG. 6 is a bottom plan view thereof.

(Continued)



The broken lines shown represent unclaimed subject matter and form no part of the claimed design.

1 Claim, 3 Drawing Sheets

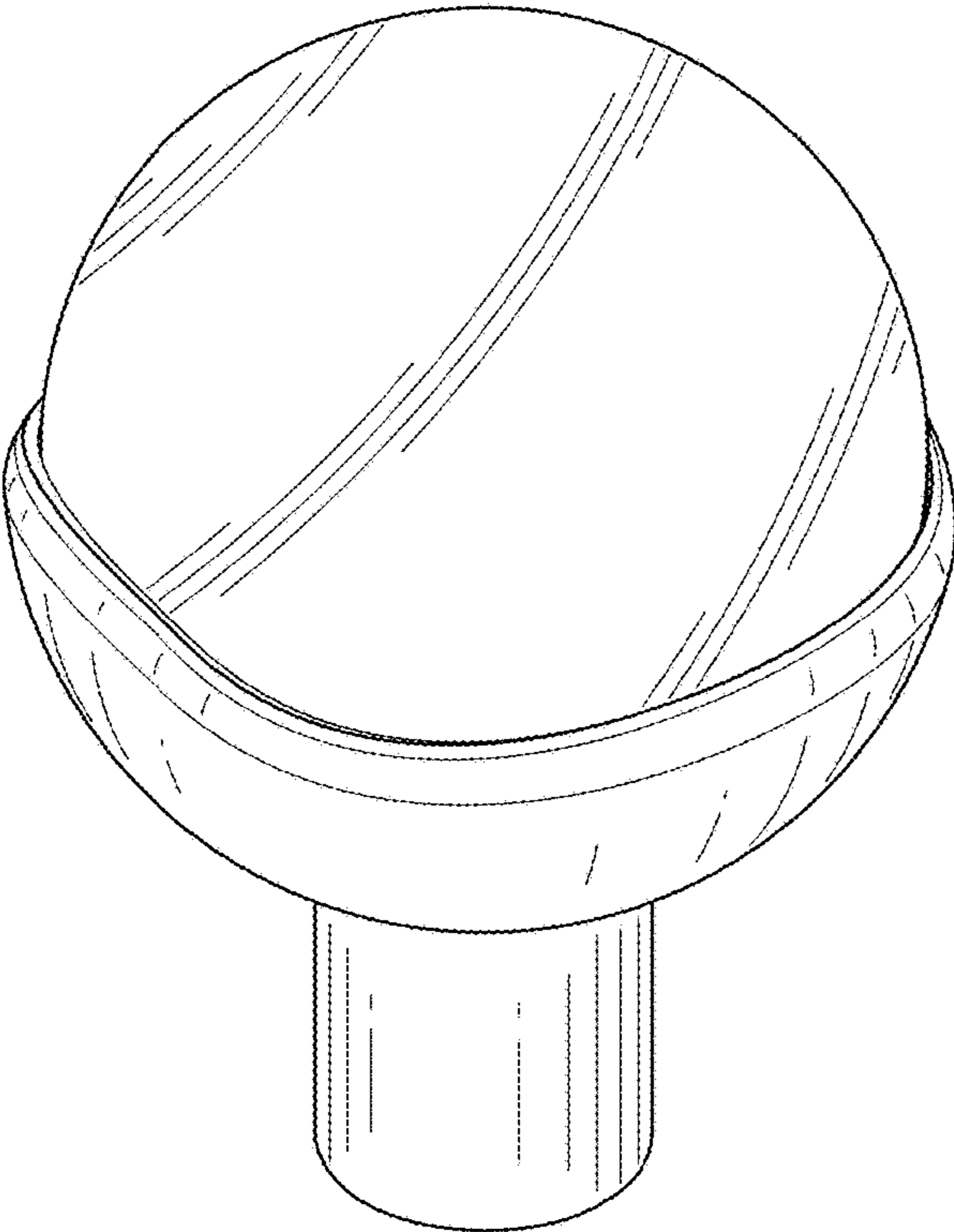


FIG. 1

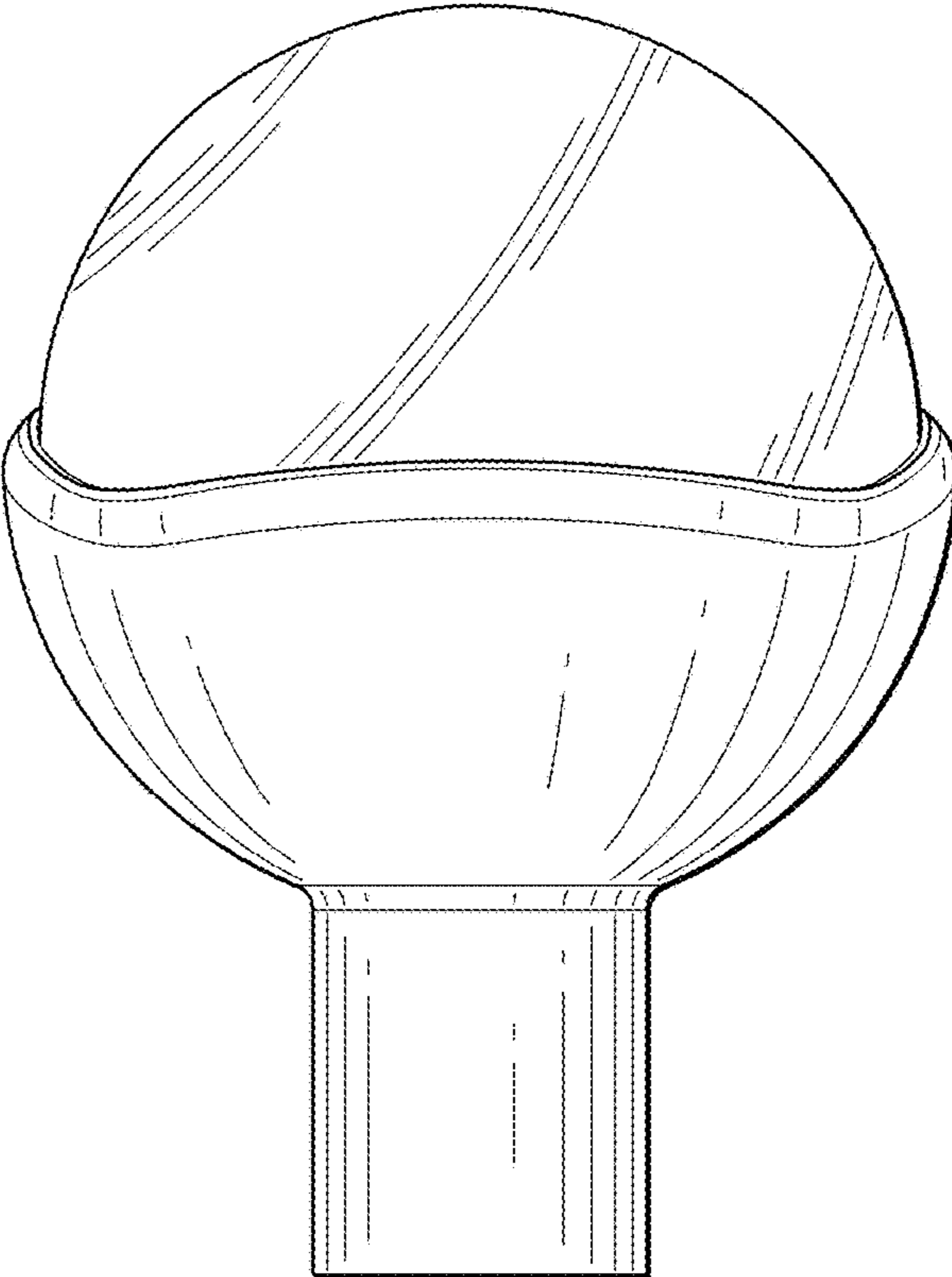


FIG. 2

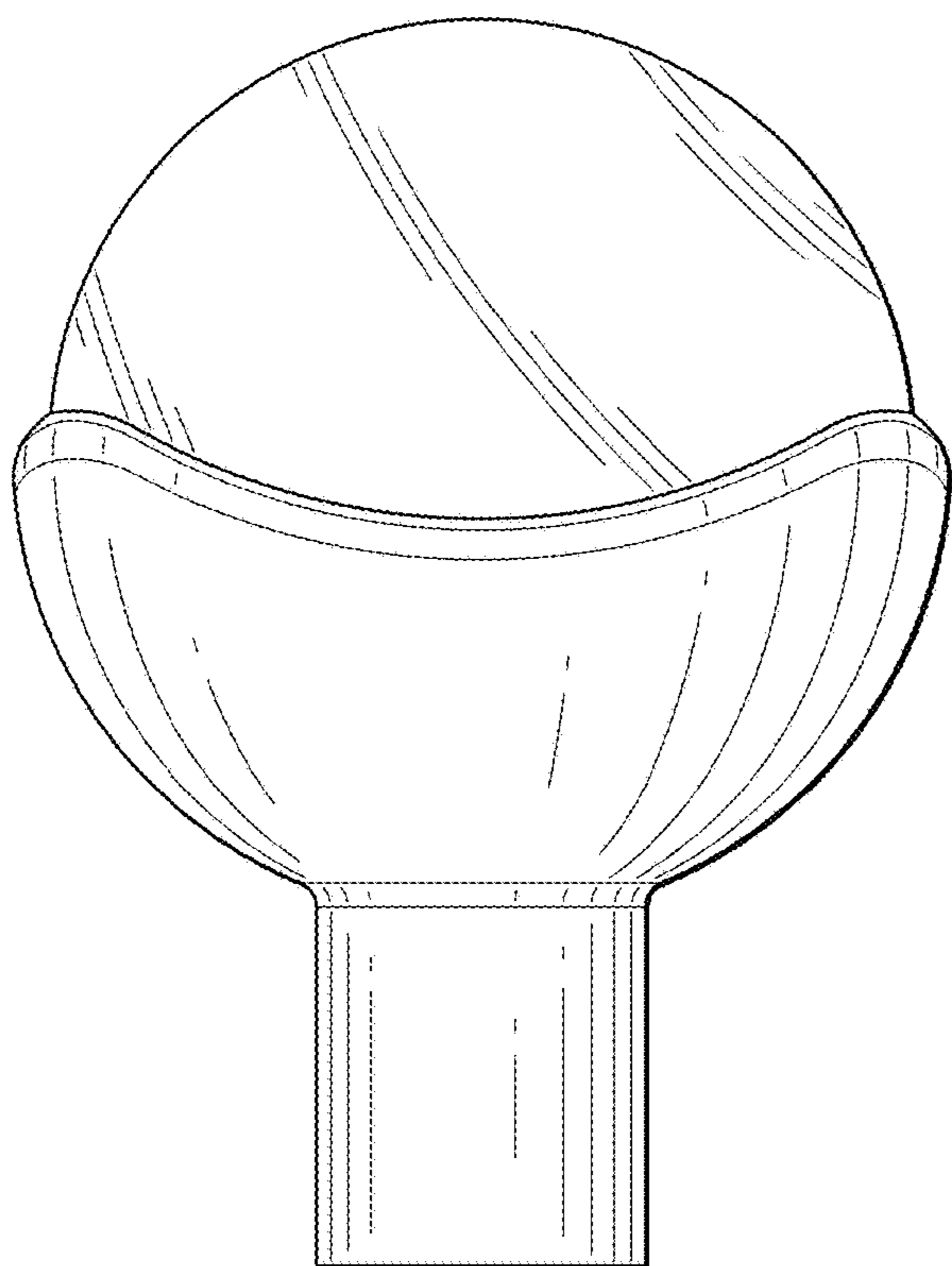


FIG. 3

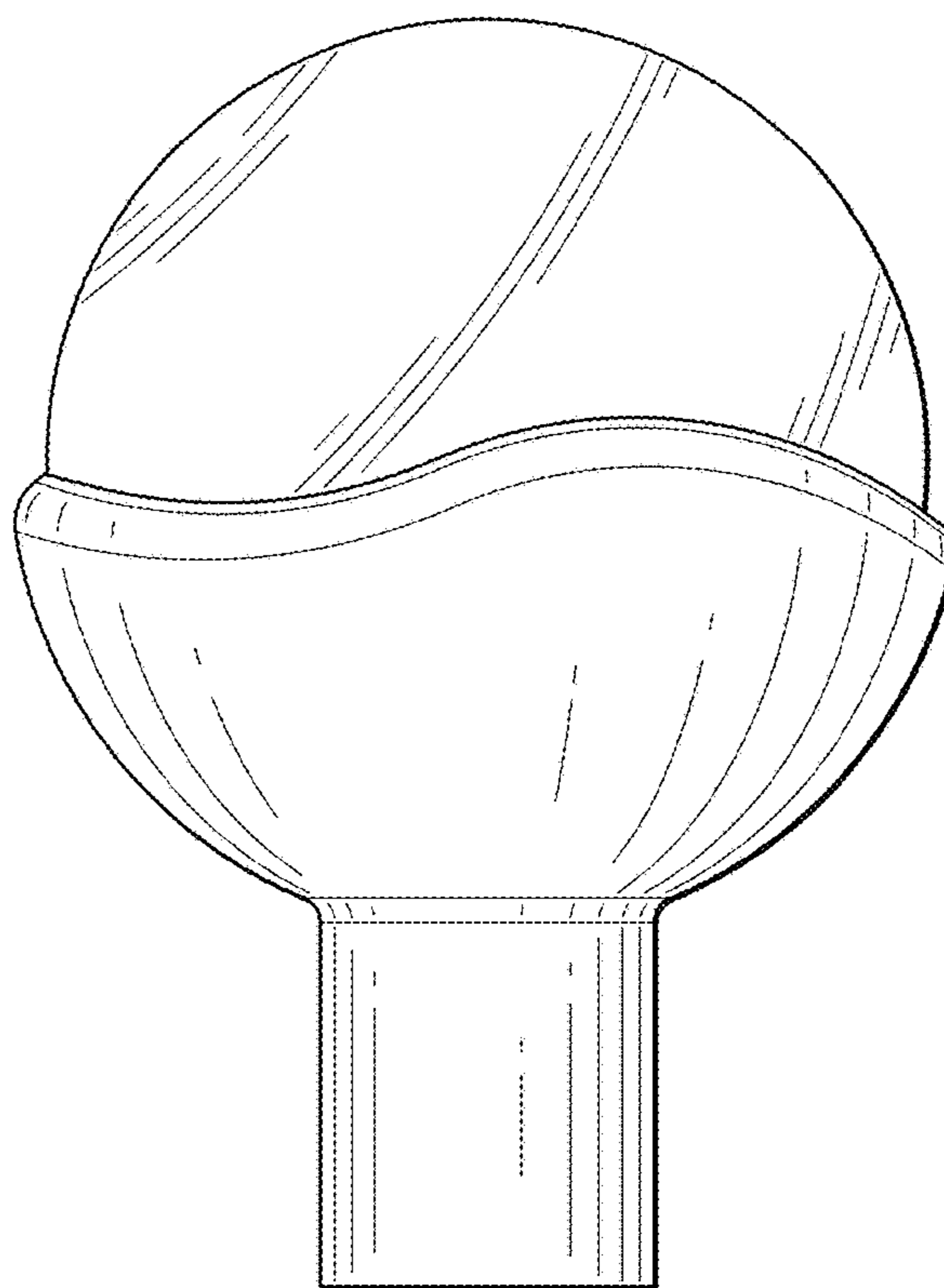


FIG. 4

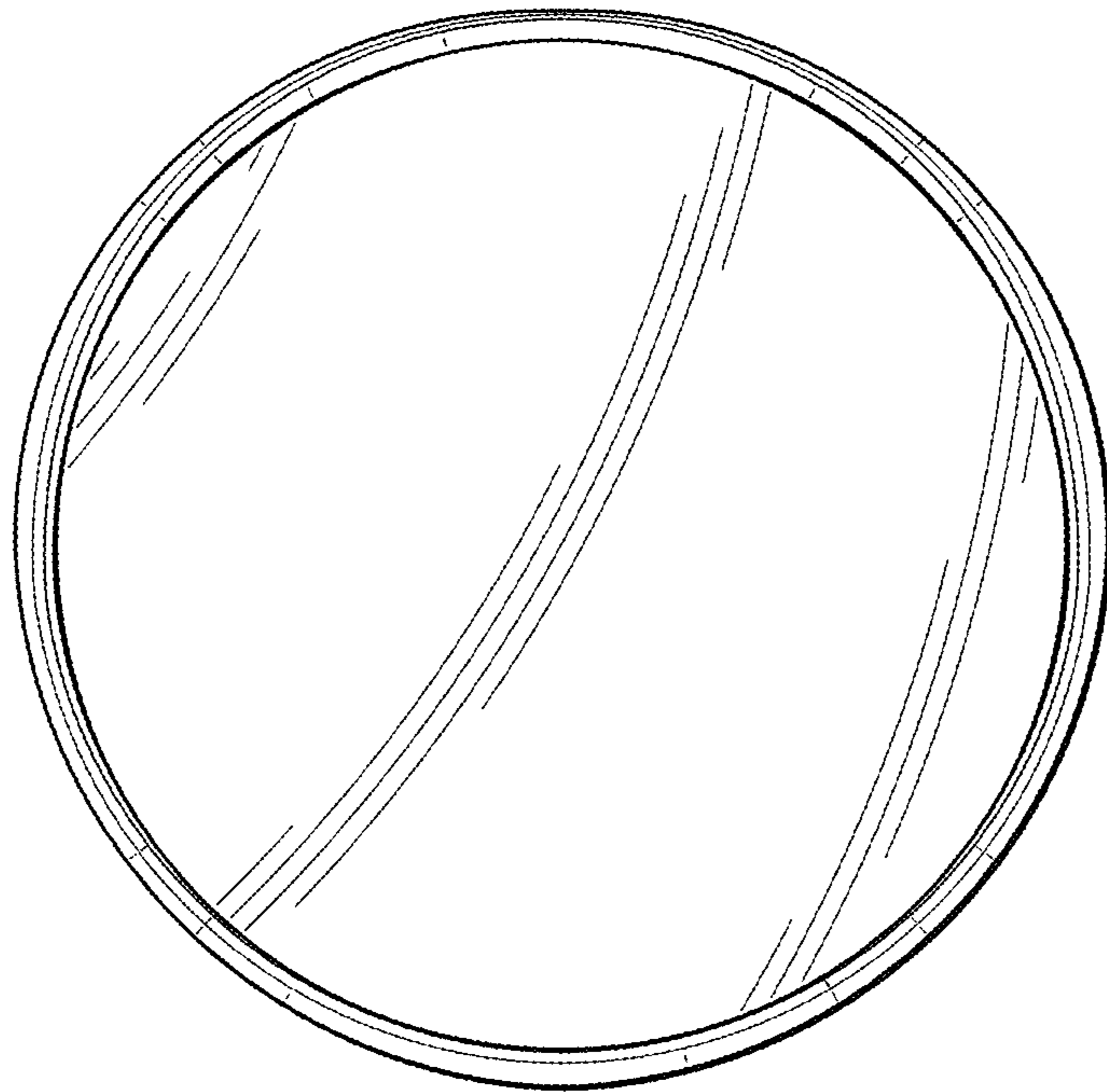


FIG. 5

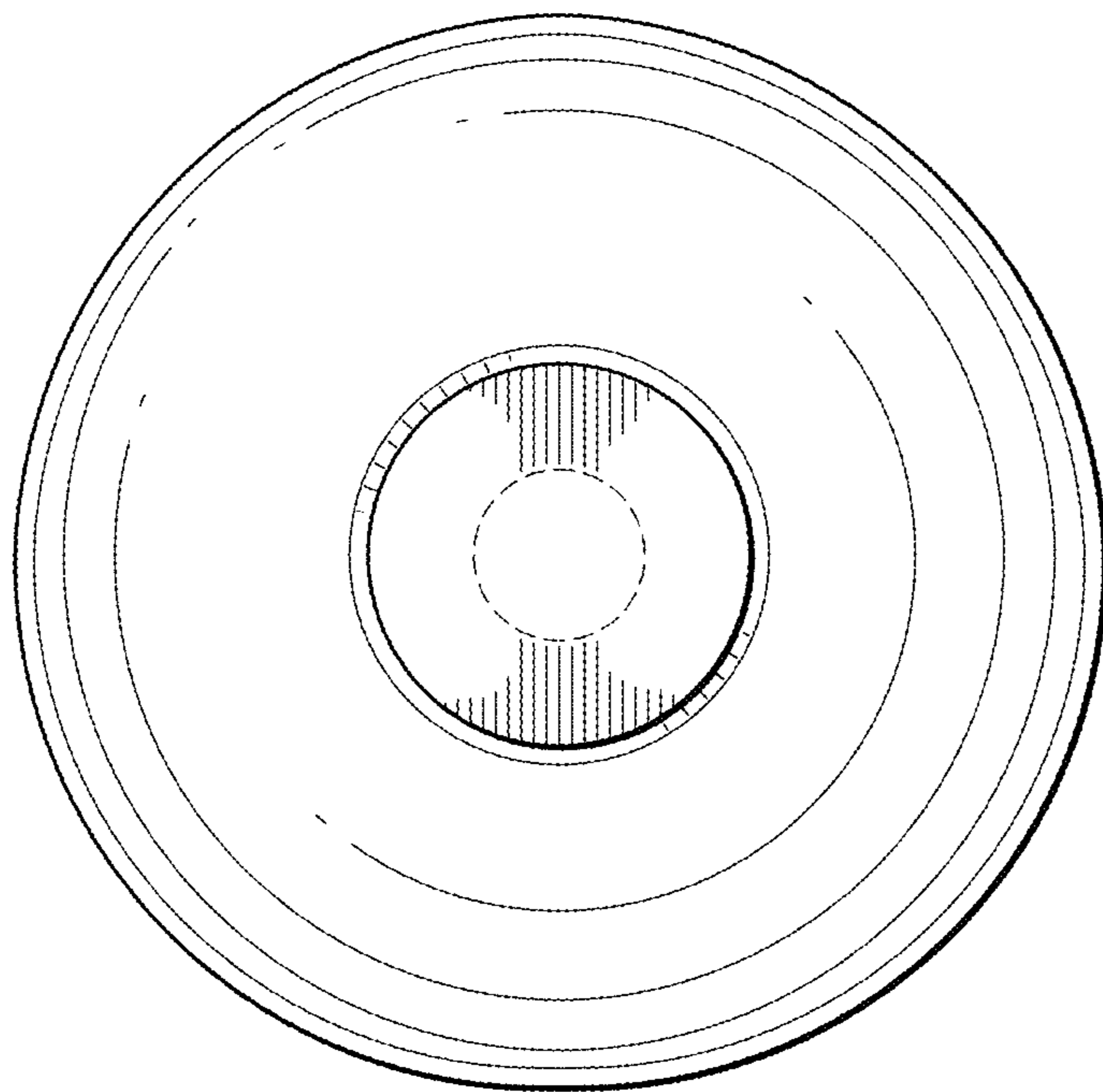


FIG. 6