



US00D780549S

(12) **United States Design Patent**
Zhang et al.

(10) **Patent No.:** **US D780,549 S**

(45) **Date of Patent:** **** Mar. 7, 2017**

(54) **BENCH VISE**

(71) Applicant: **LAIZHOU HONGYUAN BENCH VICE MANUFACTURE Co., Ltd.**,
Laizhou, Shandong Province (CN)

(72) Inventors: **Zhiquan Zhang**, Laizhou (CN); **Tao Wang**, Laizhou (CN); **Shujun Zhao**,
Laizhou (CN); **Xiaodong Wang**,
Laizhou (CN); **Hetao Hou**, Laizhou
(CN)

(73) Assignee: **LAIZHOU HONGYUAN BENCH VICE MANUFACTURE Co., Ltd.**,
Laizhou, Shandong (CN)

(**) Term: **14 Years**

(21) Appl. No.: **29/516,920**

(22) Filed: **Feb. 6, 2015**

(30) **Foreign Application Priority Data**

Sep. 19, 2014 (CN) 2014 3 0349276

(51) **LOC (10) Cl.** **08-05**

(52) **U.S. Cl.**
USPC **D8/74**

(58) **Field of Classification Search**
USPC D8/71-74, 394-399, 59; 248/63, 72,
248/74.1, 689, 124.2; 81/487, 385, 386,
81/388-390; 269/3, 4, 6, 143, 165, 240,
269/243, 246-249, 254 R, 147-149;
29/256, 257, 276; 408/103, 104-109
CPC B25B 1/00; B25B 5/00
See application file for complete search history.

(56) **References Cited**

U.S. PATENT DOCUMENTS

D131,498 S * 3/1942 Vogl D8/74
D145,641 S 9/1946 Thompson
D147,564 S * 9/1947 Nelson D8/74
D154,001 S 5/1949 Vogl

D164,143 S 7/1951 Vogl
D184,413 S * 2/1959 Vogl D8/74
D213,727 S 4/1969 Barvineck et al.
4,133,519 A 1/1979 Shin et al.
D254,835 S 4/1980 Bass
D282,143 S * 1/1986 Tarquinio D8/74
D286,609 S * 11/1986 Hickman D8/74
4,807,863 A 2/1989 Yang
4,971,301 A 11/1990 Yang

(Continued)

Primary Examiner — David Muller

(74) *Attorney, Agent, or Firm* — Andrew W. Chu; Craft
Chu PLLC

(57) **CLAIM**

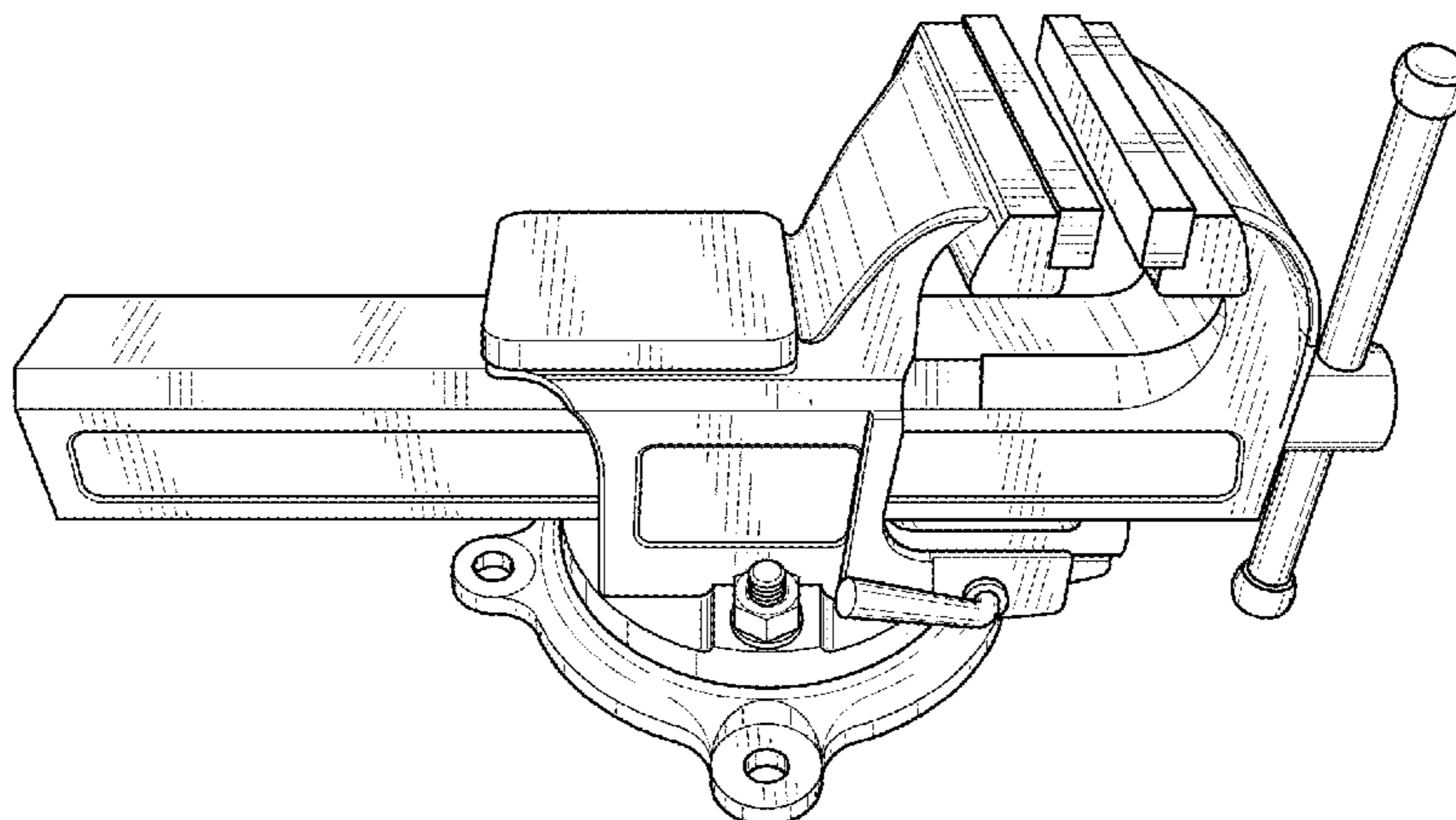
The ornamental design for a bench vise, as shown and
described.

DESCRIPTION

FIG. 1 is an upper perspective view of the bench vise
showing my design in an opened configuration.
FIG. 2 is another upper perspective view thereof, in a closed
configuration;
FIG. 3 is a side elevation view thereof;
FIG. 4 is an opposite side elevation view thereof;
FIG. 5 is an end elevation view thereof;
FIG. 6 is an opposite end elevation view thereof;
FIG. 7 is a top plan view thereof; and,
FIG. 8 is a bottom view thereof.

The broken line showing of parts of the drawings is included
for the purpose of illustrating use and environment and
forms no part of the claimed design.

1 Claim, 4 Drawing Sheets



(56)

References Cited

U.S. PATENT DOCUMENTS

D333,963	S	3/1993	Goodman	
5,282,392	A	2/1994	Fan et al.	
D471,070	S	3/2003	Howell	
D473,441	S	4/2003	Cross	
D484,018	S	12/2003	Boyer et al.	
D485,740	S	1/2004	Varzino et al.	
7,017,898	B2 *	3/2006	Varzino	B25B 1/22 269/246
D544,328	S *	6/2007	Ranieri	D8/72
7,677,141	B1	3/2010	Crew	
D680,843	S	4/2013	Onello et al.	
D699,539	S *	2/2014	Nieto	D8/74
D705,031	S *	5/2014	Zhang	D8/74
D707,096	S *	6/2014	Zhang	D8/74
D718,599	S *	12/2014	Durocher	D8/74

* cited by examiner

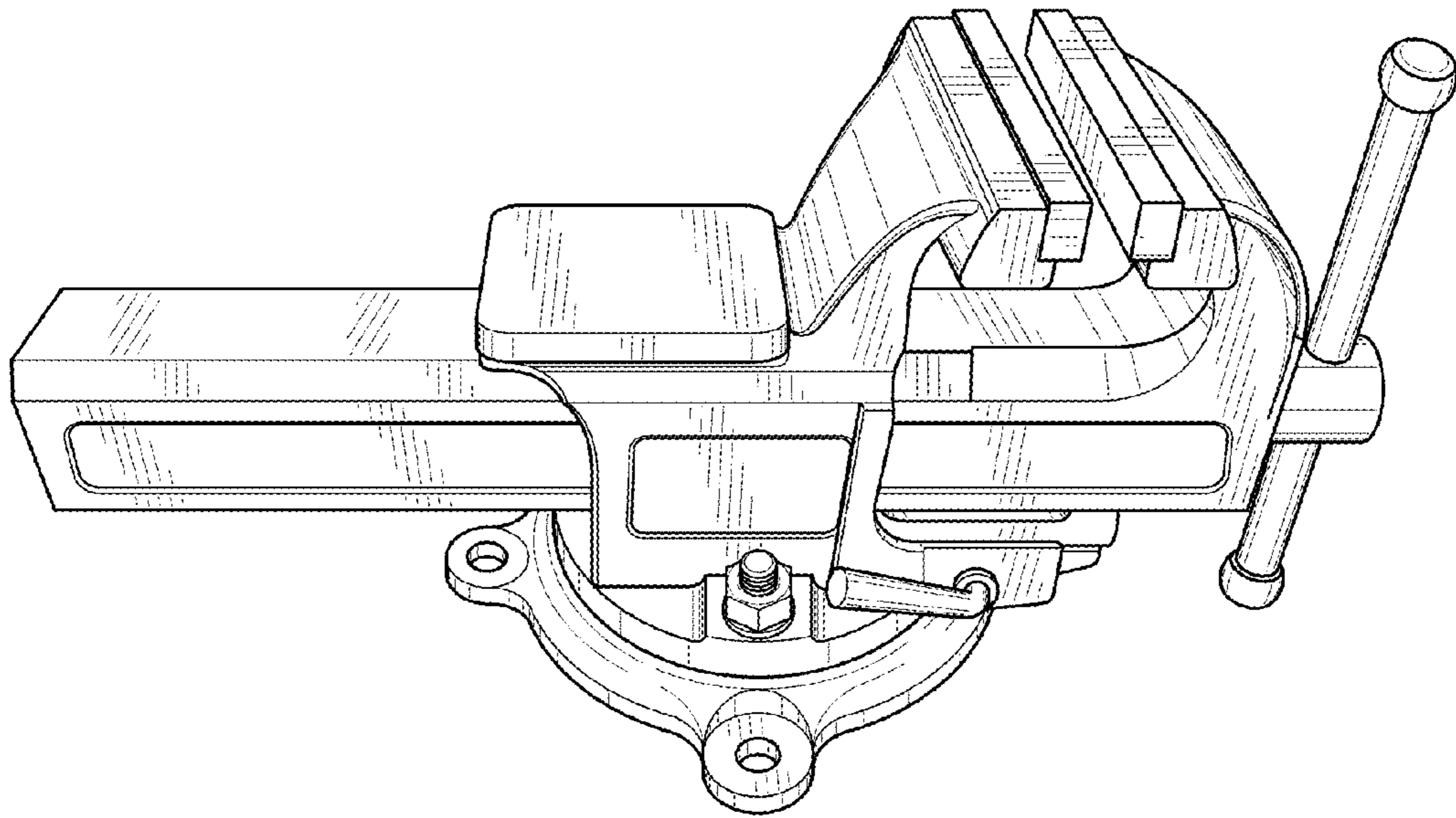


FIG. 1

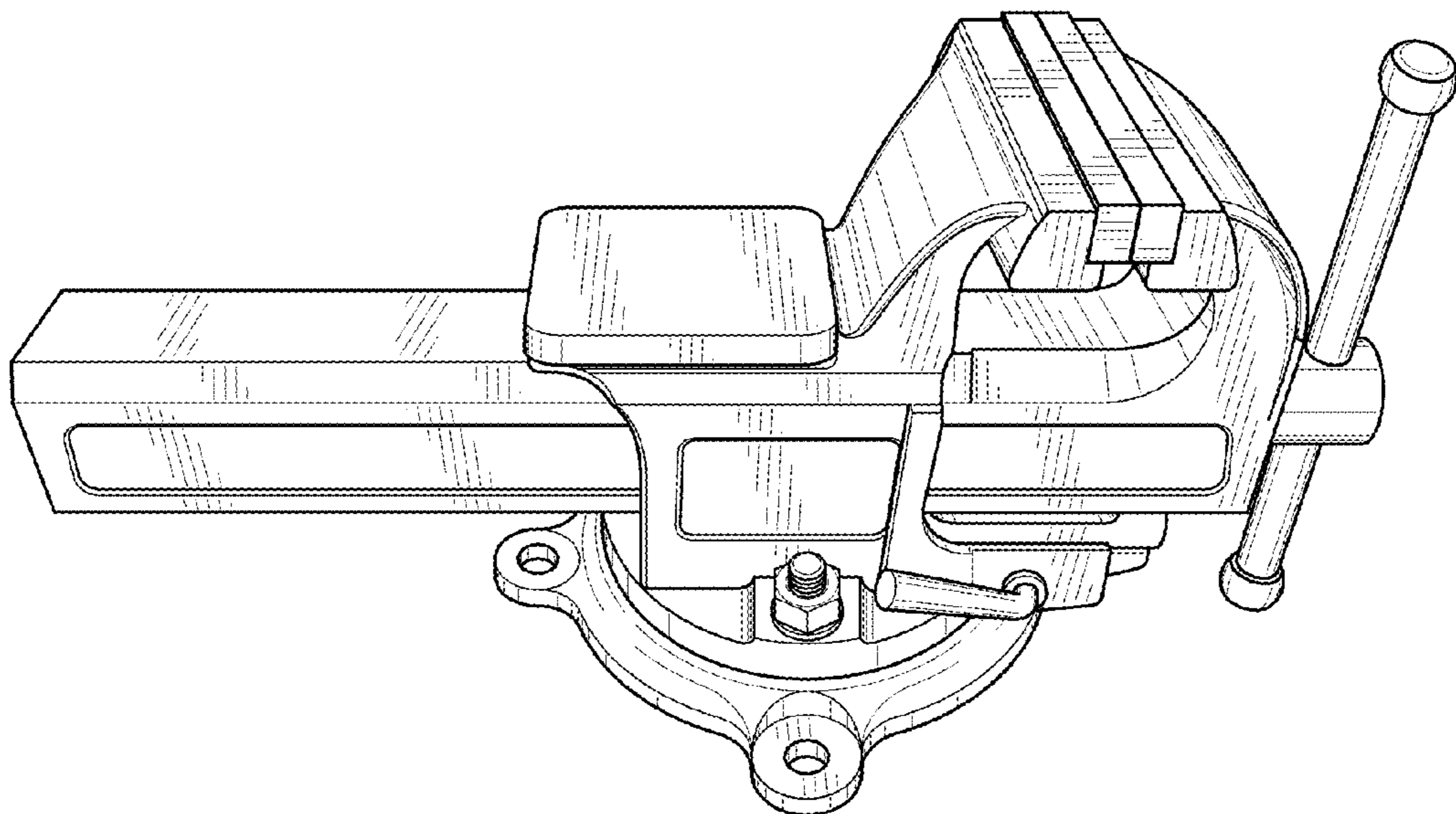


FIG. 2

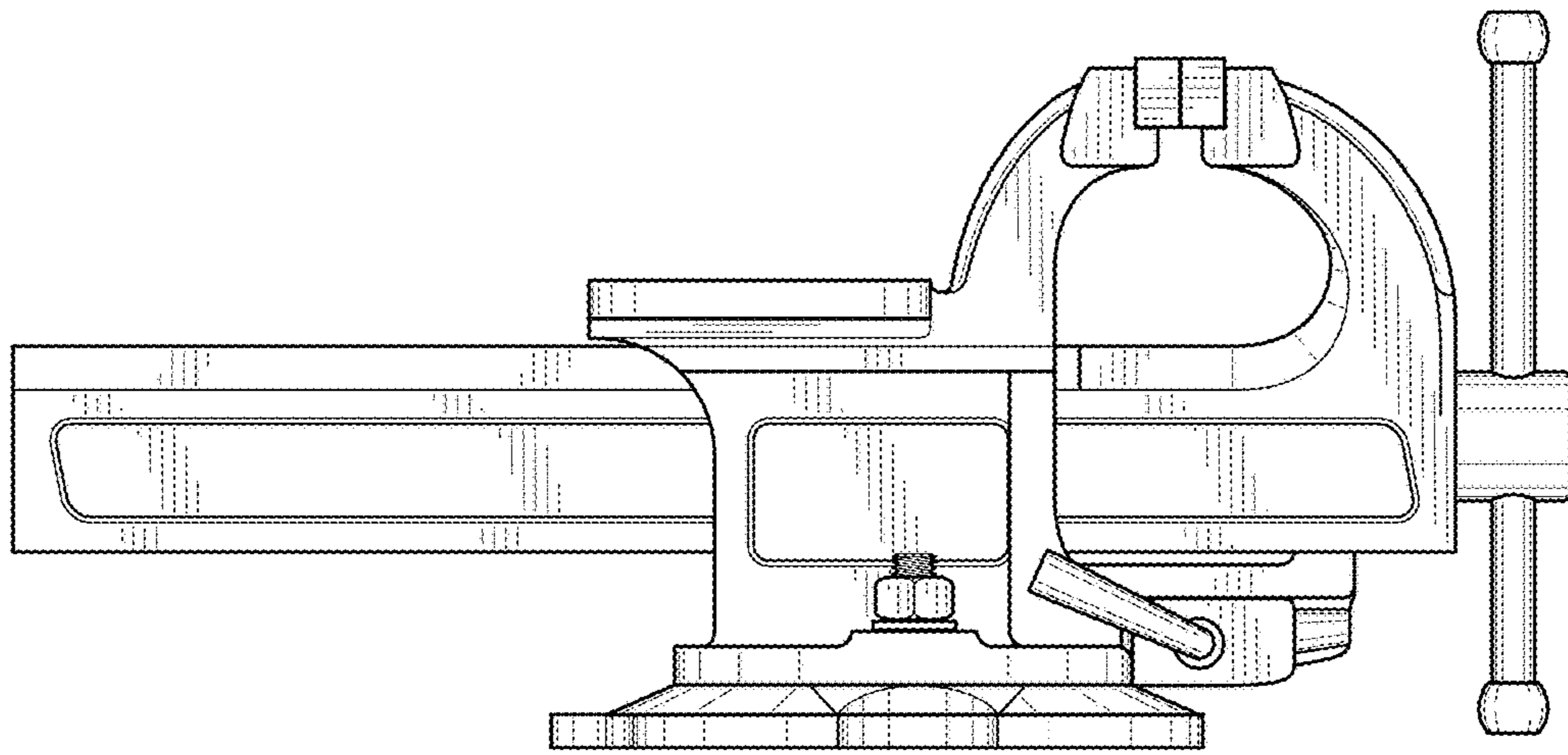


FIG. 3

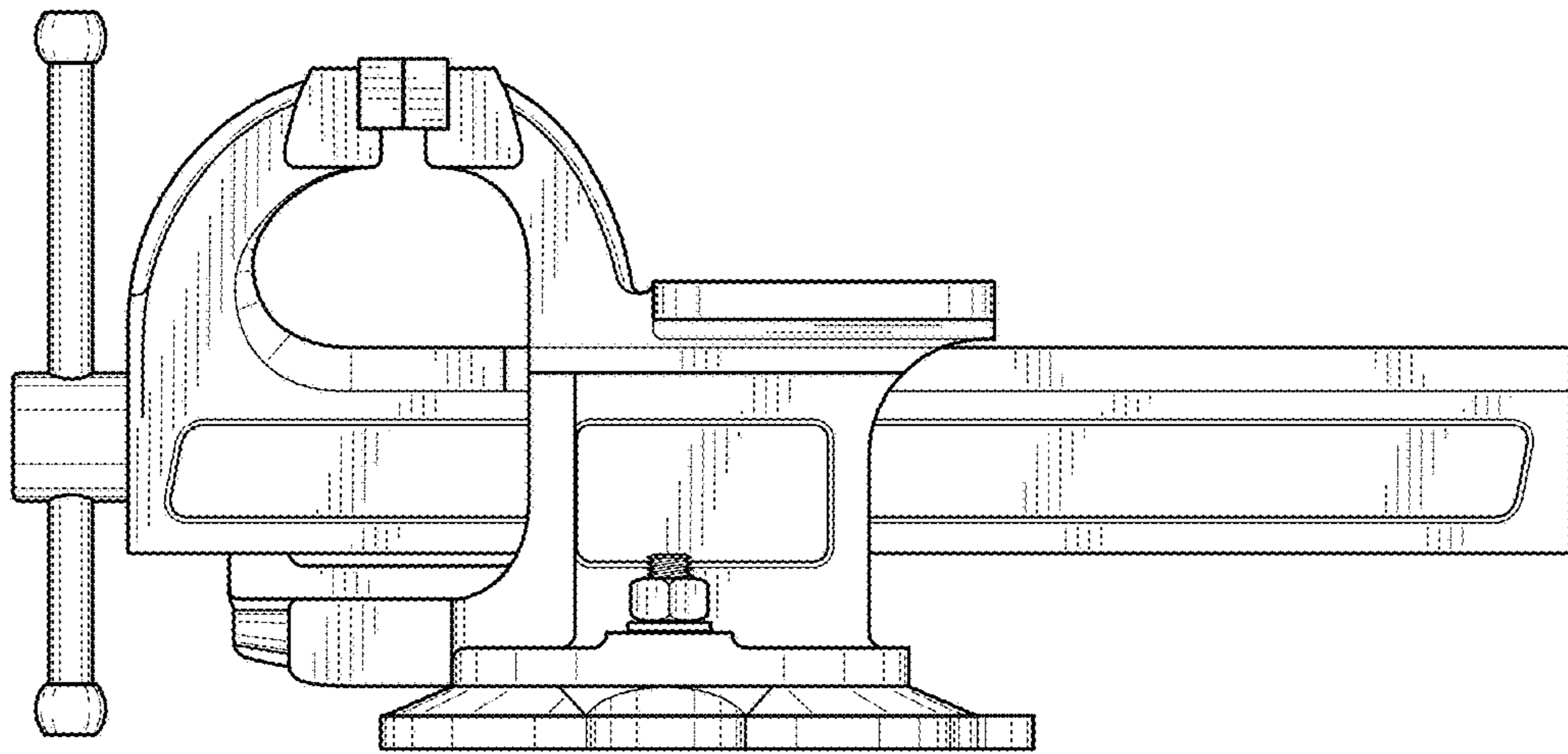


FIG. 4

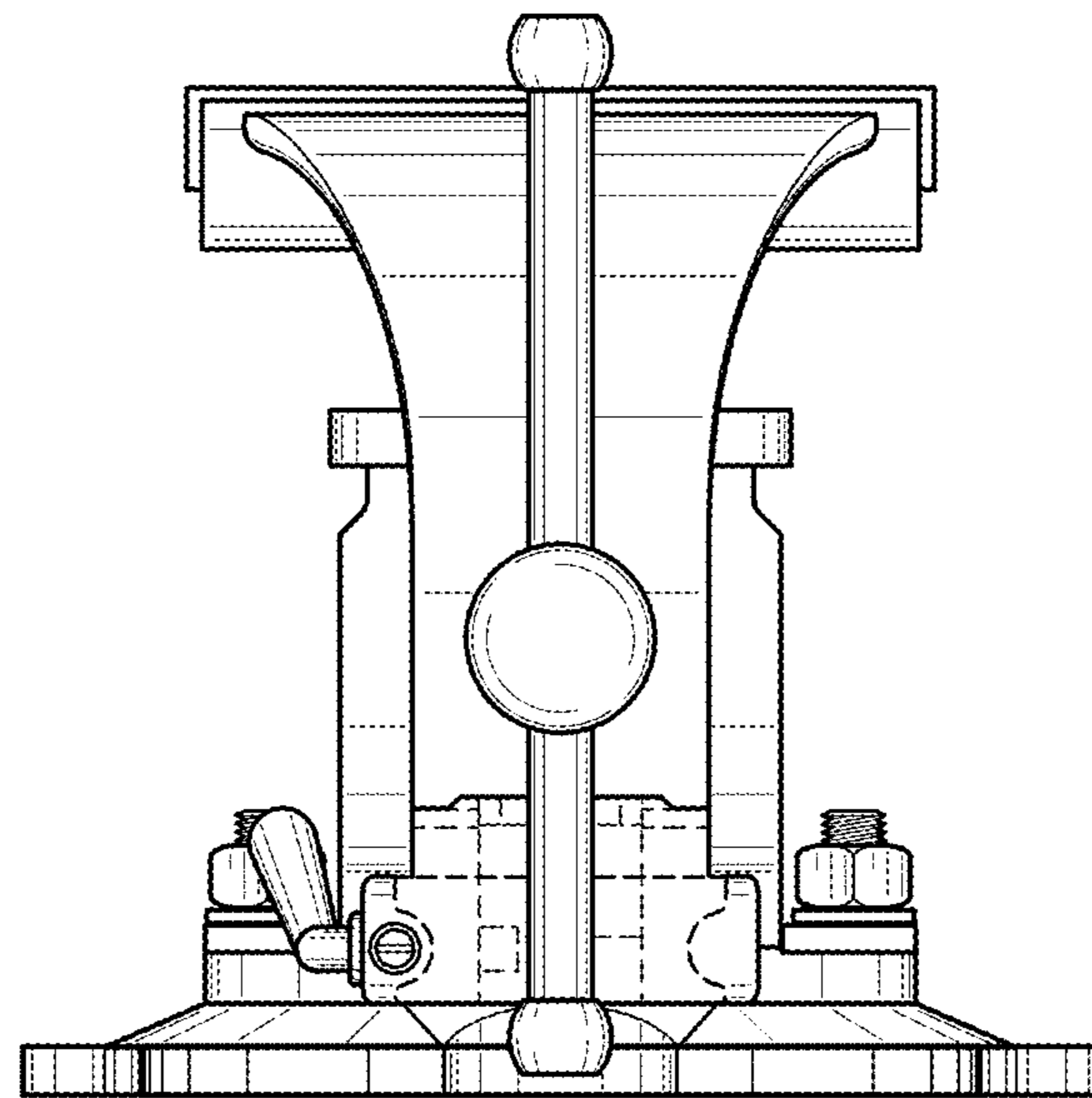


FIG. 5

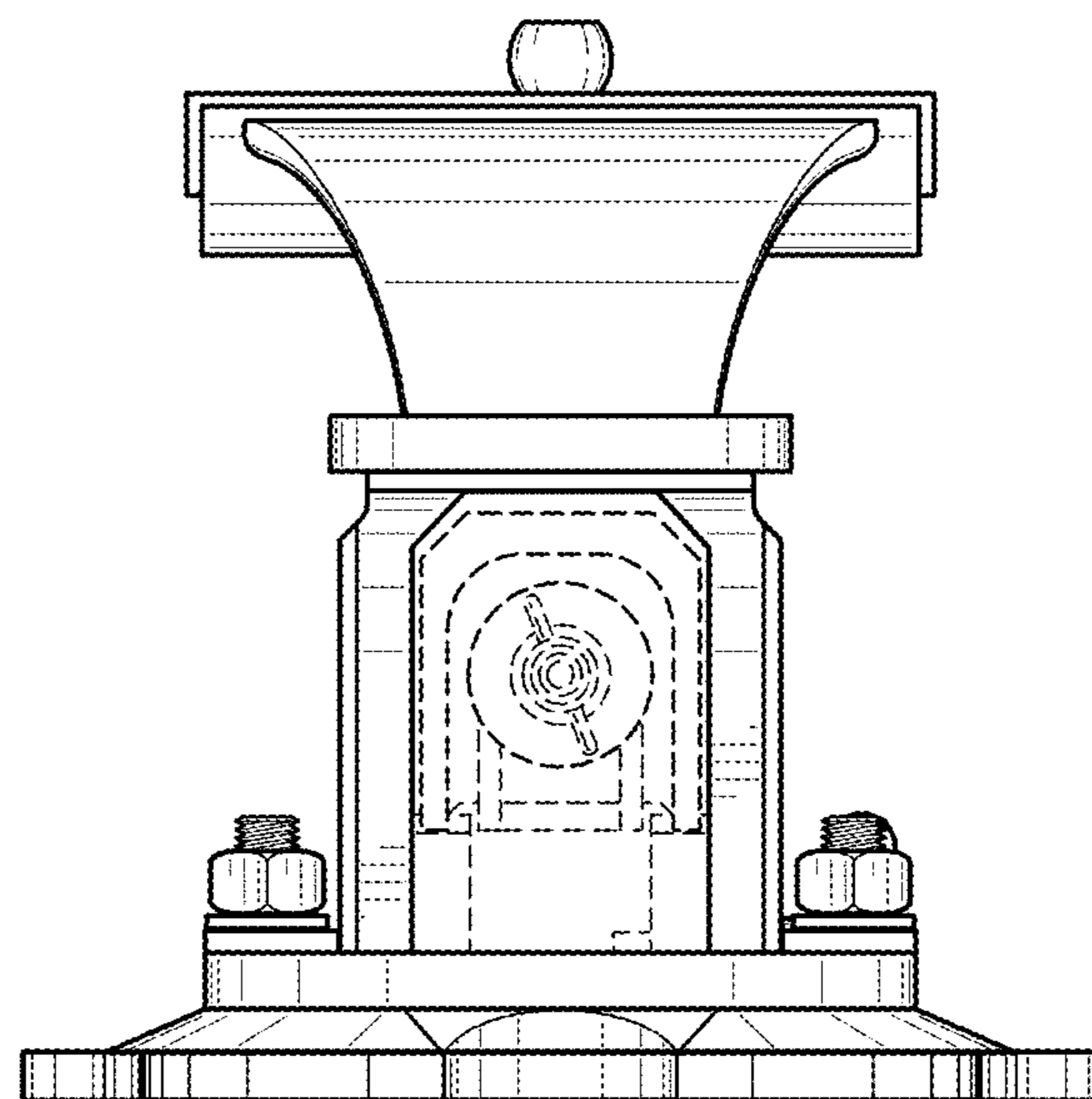


FIG. 6

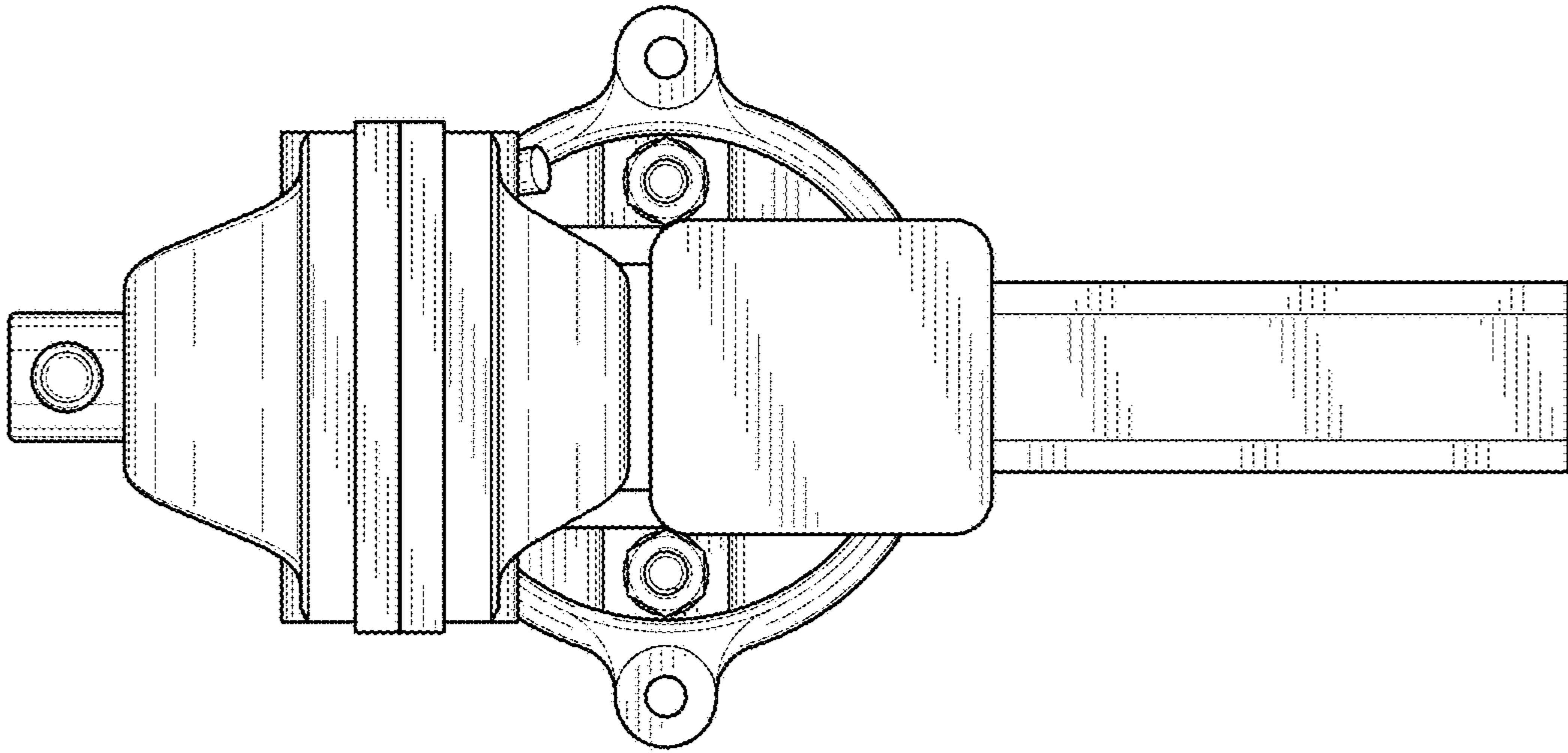


FIG. 7

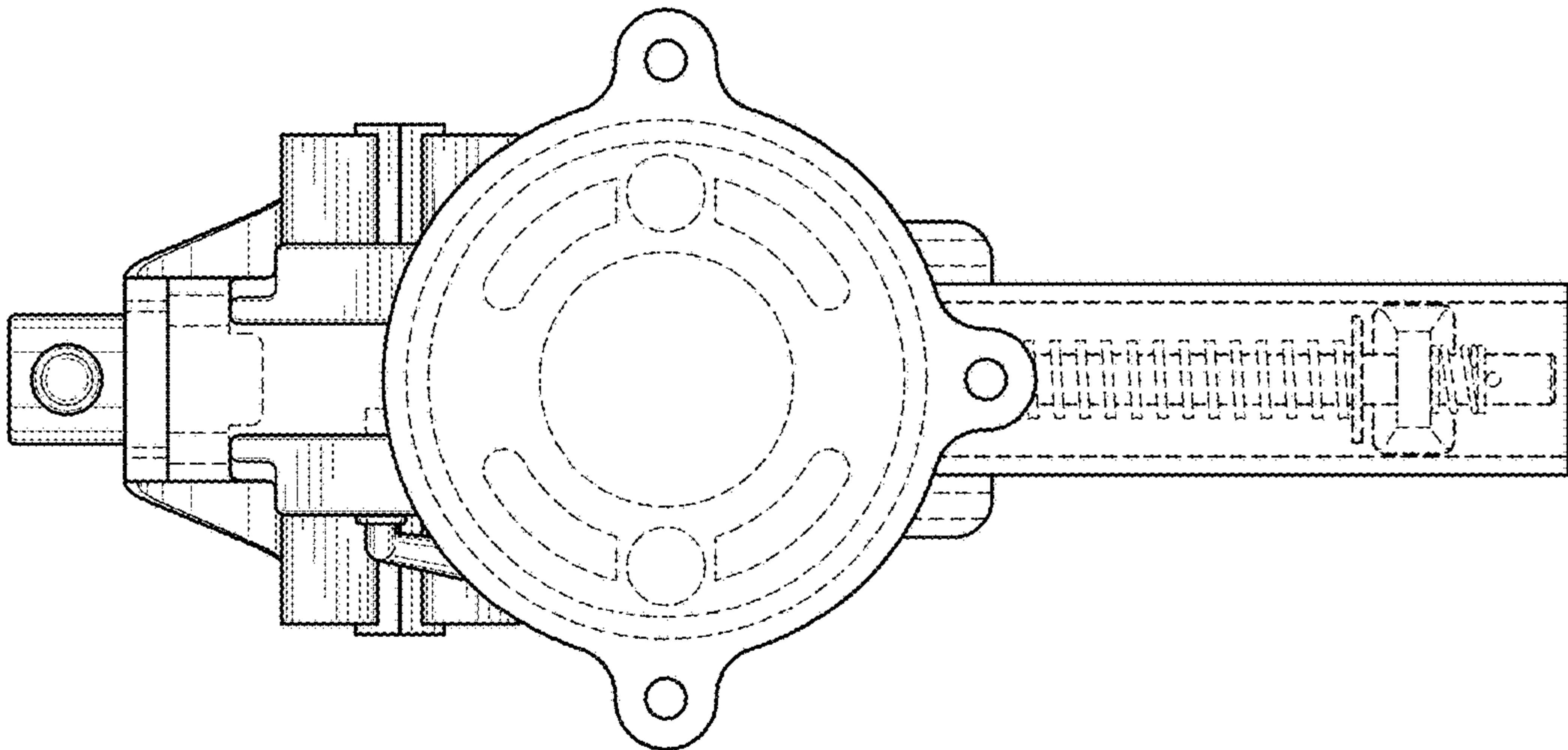


FIG. 8