



US00D780548S

(12) **United States Design Patent** (10) **Patent No.:** **US D780,548 S**
Pomeroy (45) **Date of Patent:** **** Mar. 7, 2017**

(54) **POWER TOOL**
(71) Applicant: **AC (Macao Commercial Offshore) Limited**, Macau (MO)
(72) Inventor: **Edward A. Pomeroy**, Piedmont, SC (US)
(73) Assignee: **AC (MACAO COMMERCIAL OFFSHORE) LIMITED**, Macau (MO)
(**) Term: **15 Years**
(21) Appl. No.: **29/533,868**
(22) Filed: **Jul. 22, 2015**
(51) **LOC (10) Cl.** **08-05**
(52) **U.S. Cl.**
USPC **D8/70**
(58) **Field of Classification Search**
USPC D8/68, 70, 71; D10/64; D15/138;
D24/146; 83/665, 666, 676, 835, 886;
173/46, 132, 170, 171, 178, 217; 403/3,
403/163, 316, 359.3; 408/67, 117, 124,
408/125
CPC . B23B 29/04; B25B 21/00; B25F 3/00; B25F
5/02; B25F 5/021
See application file for complete search history.

4,627,627 A 12/1986 Röhm
4,692,073 A 9/1987 Martindell
4,739,750 A 4/1988 Masse et al.
4,848,779 A 7/1989 Wheeler et al.
4,900,202 A 2/1990 Wienhold
4,955,623 A 9/1990 Röhm
D315,667 S * 3/1991 Johnson D10/64
(Continued)

FOREIGN PATENT DOCUMENTS

EP 1779948 5/2007
Primary Examiner — Darlington Ly
(74) *Attorney, Agent, or Firm* — Michael Best & Friedrich LLP

(57) **CLAIM**

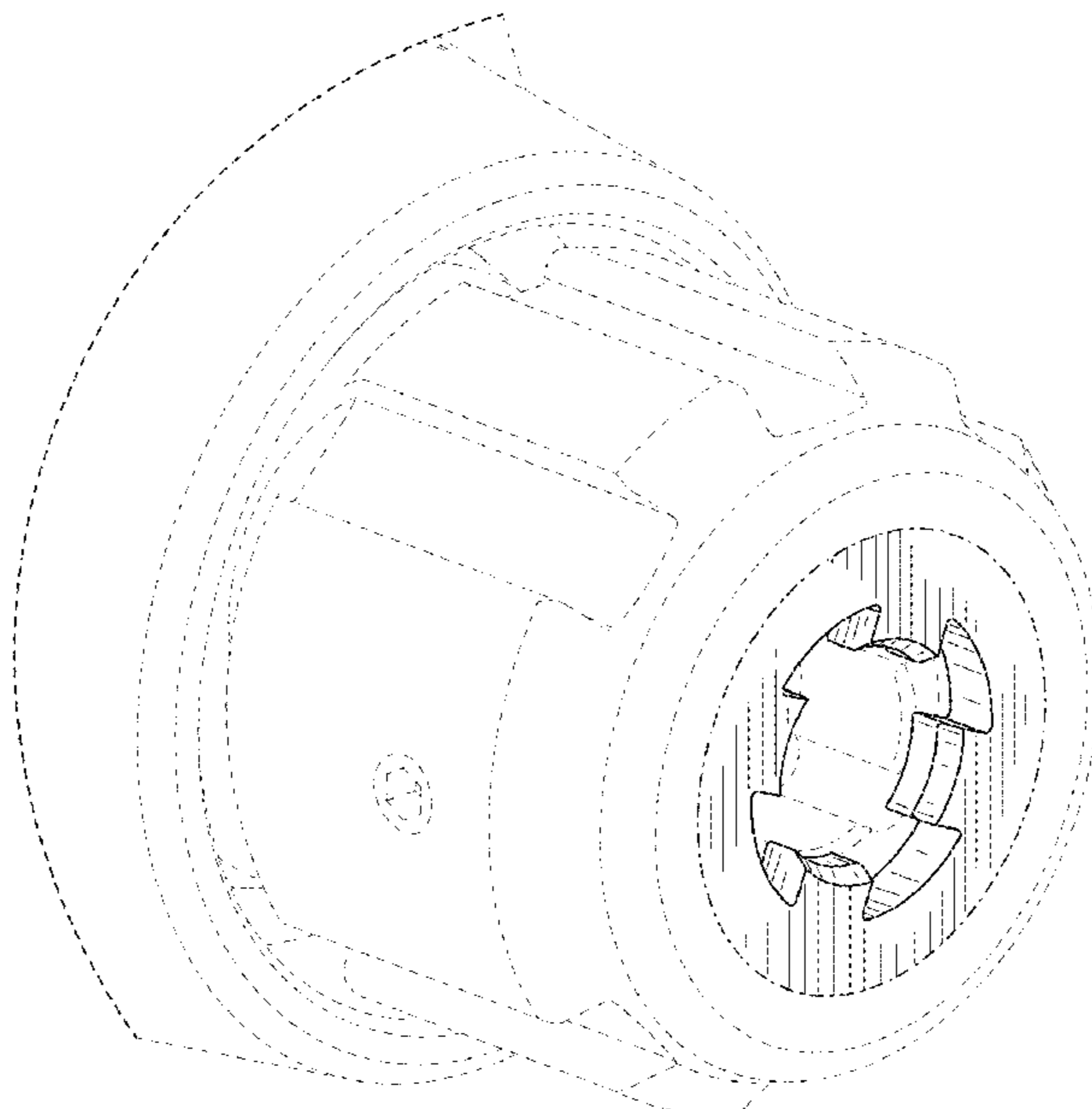
The ornamental design for a power tool, as shown and described.

DESCRIPTION

FIG. 1 is a front perspective view of a power tool showing my new design.
FIG. 2 is an enlarged front perspective view of a portion of the power tool of FIG. 1.
FIG. 3 is a front view of the power tool of FIG. 1.
FIG. 4 is an enlarged front view of a portion of the power tool of FIG. 1.
FIG. 5 is a front perspective view of a power tool according to another embodiment of the invention; and,
FIG. 6 is a first side view of the power tool of FIG. 5.
The portions of the power tool shown in broken lines are included for the purpose of illustrating environment and form no part of the claimed design. The portions of the power tool shown in broken lines having unequal length segments illustrate the boundary of the claimed design and form no part of the claimed design.

1 Claim, 6 Drawing Sheets

(56) **References Cited**
U.S. PATENT DOCUMENTS
2,901,258 A 8/1959 Brandafi
3,658,351 A 4/1972 Benjamin et al.
3,702,705 A 11/1972 Schadlich
3,720,417 A 3/1973 Smith
3,726,533 A 4/1973 Lafferty, Sr.
3,788,658 A 1/1974 Benjamin et al.
4,199,160 A 4/1980 Bent
4,340,328 A 7/1982 Proulx et al.



(56)

References Cited

U.S. PATENT DOCUMENTS

5,013,194 A 5/1991 Wienhold
 5,057,112 A 10/1991 Sherman et al.
 5,089,003 A 2/1992 Fallin et al.
 D327,111 S * 6/1992 Hemming D22/134
 5,188,378 A 2/1993 Erlenkeuser
 5,195,760 A 3/1993 Wheeler et al.
 5,219,174 A 6/1993 Zurbrügg et al.
 5,261,915 A 11/1993 Durlacher et al.
 5,324,293 A 6/1994 Rehmann
 5,398,946 A 3/1995 Quiring
 5,417,527 A 5/1995 Wienhold
 5,464,229 A 11/1995 Salpaka
 5,499,829 A 3/1996 Röhm
 5,735,855 A 4/1998 Bradley
 5,771,516 A * 6/1998 Huang B25F 3/00
 254/122
 5,827,290 A 10/1998 Bradley
 5,989,257 A 11/1999 Tidwell et al.
 6,000,940 A 12/1999 Buss et al.
 6,010,508 A 1/2000 Bradley
 6,053,675 A 4/2000 Holland et al.
 6,095,530 A 8/2000 Röhm
 D435,571 S * 12/2000 Dibbern D15/140
 6,171,312 B1 1/2001 Beaty
 6,199,872 B1 3/2001 Hasan
 6,205,884 B1 3/2001 Foley et al.
 6,264,647 B1 7/2001 Lechot
 6,286,611 B1 * 9/2001 Bone B25F 3/00
 173/170
 6,302,408 B1 10/2001 Zierpka
 6,325,393 B1 12/2001 Chen et al.
 6,457,916 B2 10/2002 Wienhold
 D466,597 S * 12/2002 Carr D23/329
 6,540,739 B2 4/2003 Lechot
 6,561,523 B1 5/2003 Wienhold
 6,623,220 B2 9/2003 Nuss et al.
 6,695,321 B2 2/2004 Bedi et al.
 6,722,667 B2 4/2004 Cantlon
 6,863,280 B2 3/2005 Chiu
 6,874,791 B2 4/2005 Chen et al.
 6,899,715 B1 5/2005 Beaty
 6,929,266 B2 8/2005 Peters et al.
 7,056,317 B2 6/2006 Lechot
 7,063,332 B2 6/2006 Müller
 7,086,813 B1 8/2006 Boyle et al.
 7,115,119 B2 10/2006 Desarzens
 7,216,873 B2 5/2007 Mack
 7,229,078 B2 6/2007 Lechot
 7,296,804 B2 11/2007 Lechot et al.
 7,306,396 B1 12/2007 Chen
 7,326,198 B2 2/2008 Desarzens et al.
 7,435,042 B2 10/2008 White et al.
 7,469,909 B2 12/2008 Strauch et al.

7,591,821 B2 9/2009 Kelman
 7,604,637 B2 10/2009 Johnson et al.
 7,637,327 B2 12/2009 Grünig
 7,637,909 B2 12/2009 Lechot et al.
 7,682,363 B2 3/2010 Burgi et al.
 7,749,227 B2 7/2010 Lechot et al.
 7,780,669 B2 8/2010 Lechot et al.
 7,785,329 B2 8/2010 Lechot et al.
 D626,395 S * 11/2010 Lau D8/70
 D626,398 S * 11/2010 Lau D8/107
 D627,204 S * 11/2010 Harrison D8/70
 7,857,816 B2 12/2010 Burgi
 7,896,355 B2 3/2011 Wienhold
 7,935,125 B2 5/2011 Bastian et al.
 7,955,320 B2 6/2011 Desarzens et al.
 7,955,323 B2 6/2011 Lechot
 7,976,548 B2 7/2011 Burgi et al.
 D651,062 S * 12/2011 Wackwitz D8/70
 8,096,993 B2 1/2012 Kelman
 D665,645 S * 8/2012 McRoberts D8/70
 8,236,004 B2 8/2012 Jonas
 8,277,457 B1 10/2012 Burgi et al.
 8,292,304 B2 10/2012 Wienhold
 8,308,168 B2 11/2012 Nash
 8,337,502 B2 12/2012 Bastian et al.
 8,398,650 B1 3/2013 Burgi
 8,512,245 B2 8/2013 Bastian et al.
 8,562,612 B2 10/2013 Kelman
 D694,076 S * 11/2013 Davidian D8/20
 D694,596 S * 12/2013 Davidian D8/20
 D694,597 S * 12/2013 Davidian D8/20
 D694,598 S * 12/2013 Davidian D8/20
 D694,599 S * 12/2013 Davidian D8/20
 8,602,124 B2 12/2013 Pedicini
 8,636,287 B2 1/2014 Wienhold
 8,657,824 B2 2/2014 Sharp et al.
 8,657,833 B2 2/2014 Burgi et al.
 8,657,834 B2 2/2014 Burgi
 8,690,880 B2 4/2014 Bastian et al.
 8,734,451 B2 5/2014 Kelman
 D721,939 S * 2/2015 McRoberts D8/70
 D724,923 S * 3/2015 McRoberts D8/20
 D744,800 S * 12/2015 Cooksey D8/70
 2005/0171548 A1 8/2005 Kelman
 2008/0033444 A1 2/2008 Bastian et al.
 2008/0255565 A1 10/2008 Fletcher
 2010/0204702 A1 8/2010 Lechot et al.
 2011/0248455 A1 10/2011 Haimer et al.
 2012/0059359 A1 3/2012 Burgi
 2013/0079785 A1 3/2013 Burgi
 2013/0150858 A1 6/2013 Primiano et al.
 2013/0261681 A1 10/2013 Bittenson
 2014/0163561 A1 6/2014 Sharp et al.
 2014/0207200 A1 7/2014 Kerboul et al.
 2014/0228847 A1 8/2014 Kelman

* cited by examiner

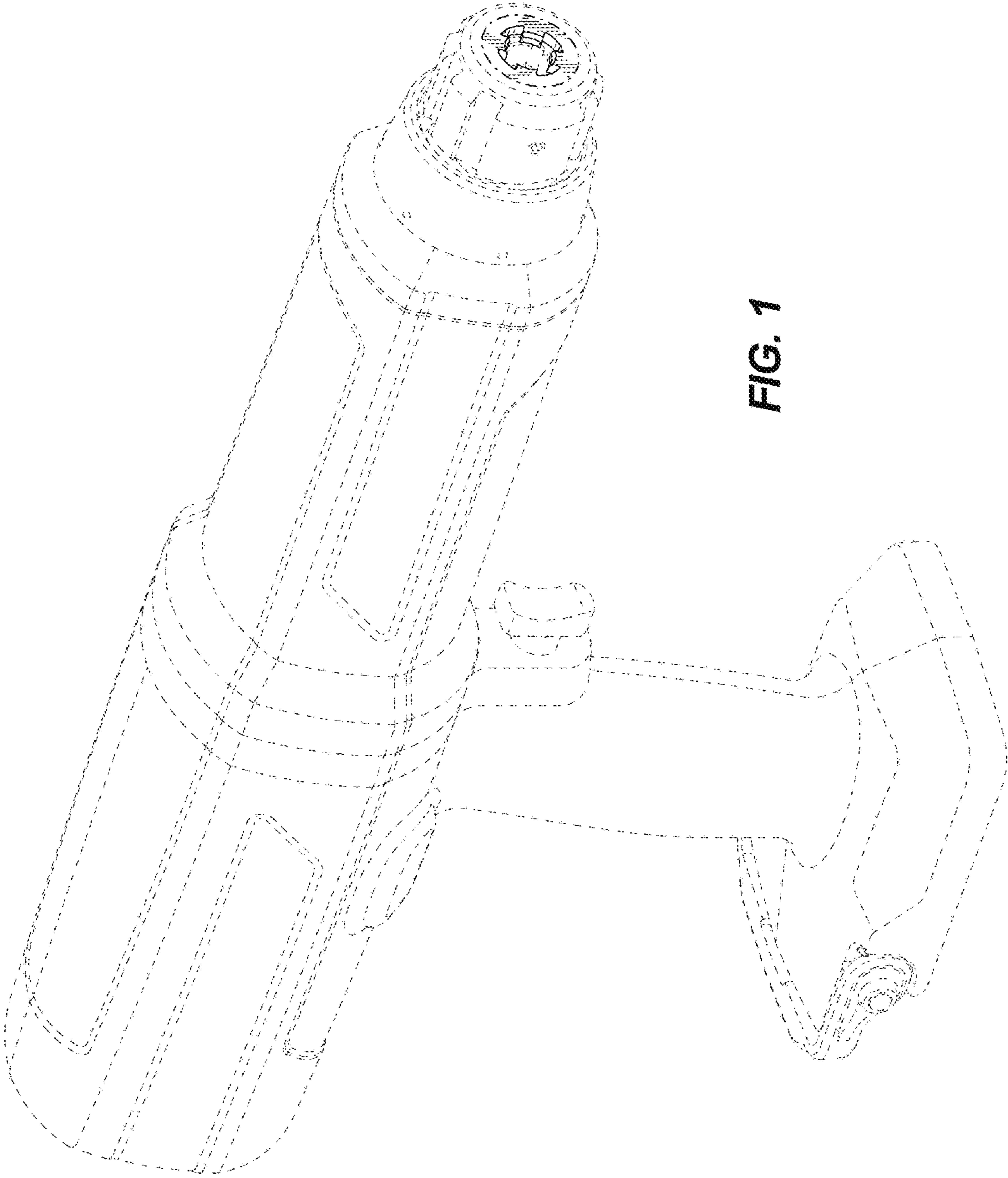


FIG. 1

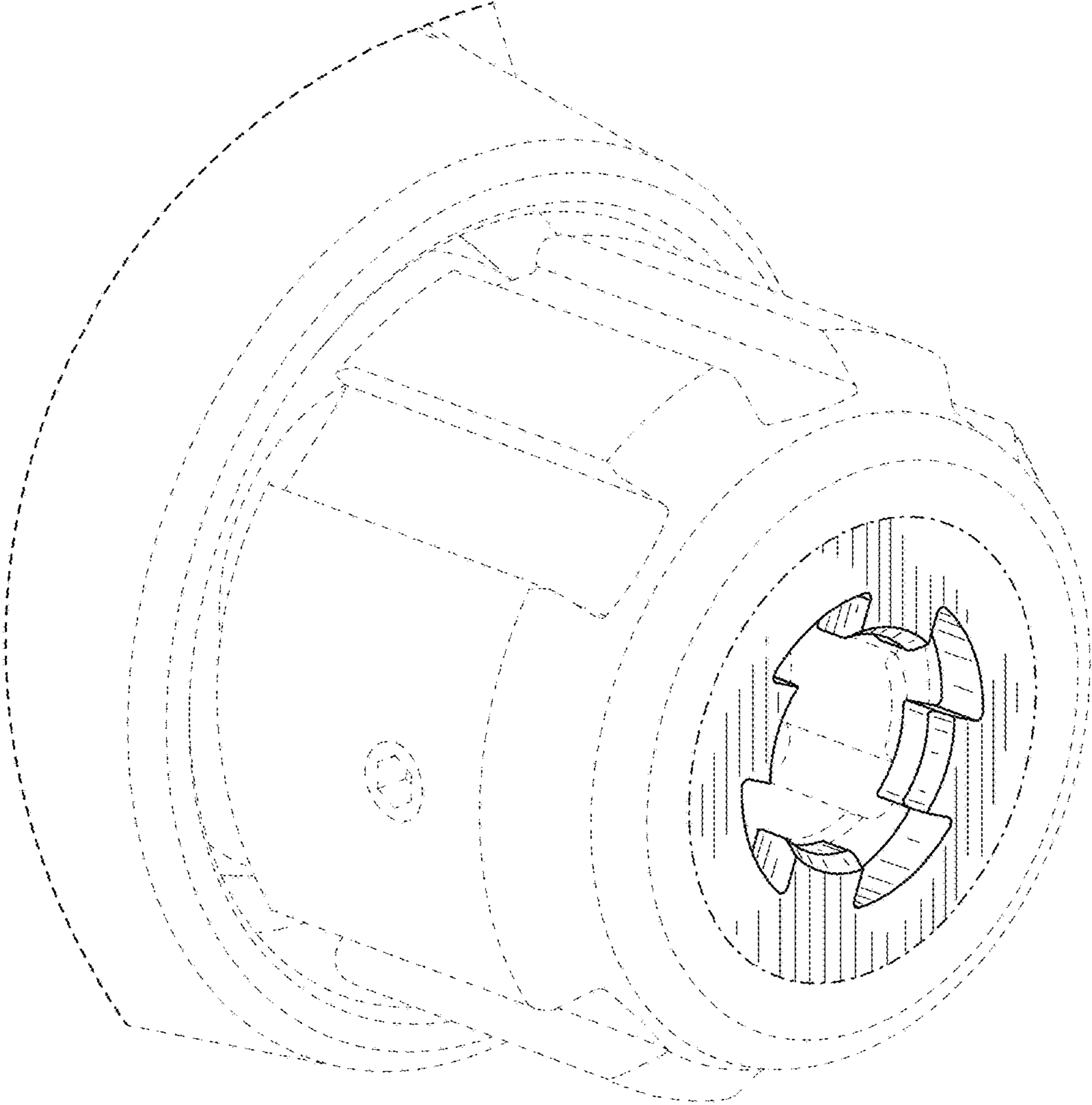


FIG. 2

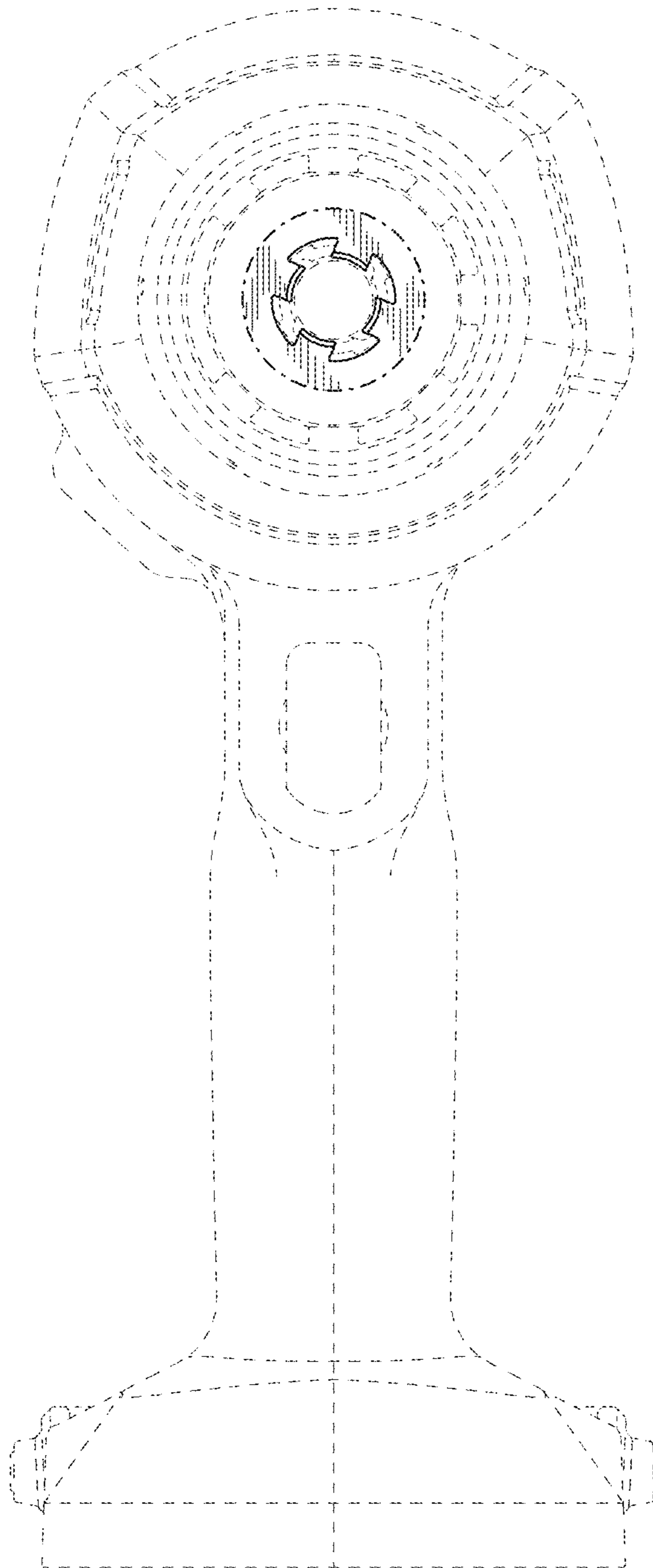


FIG. 3

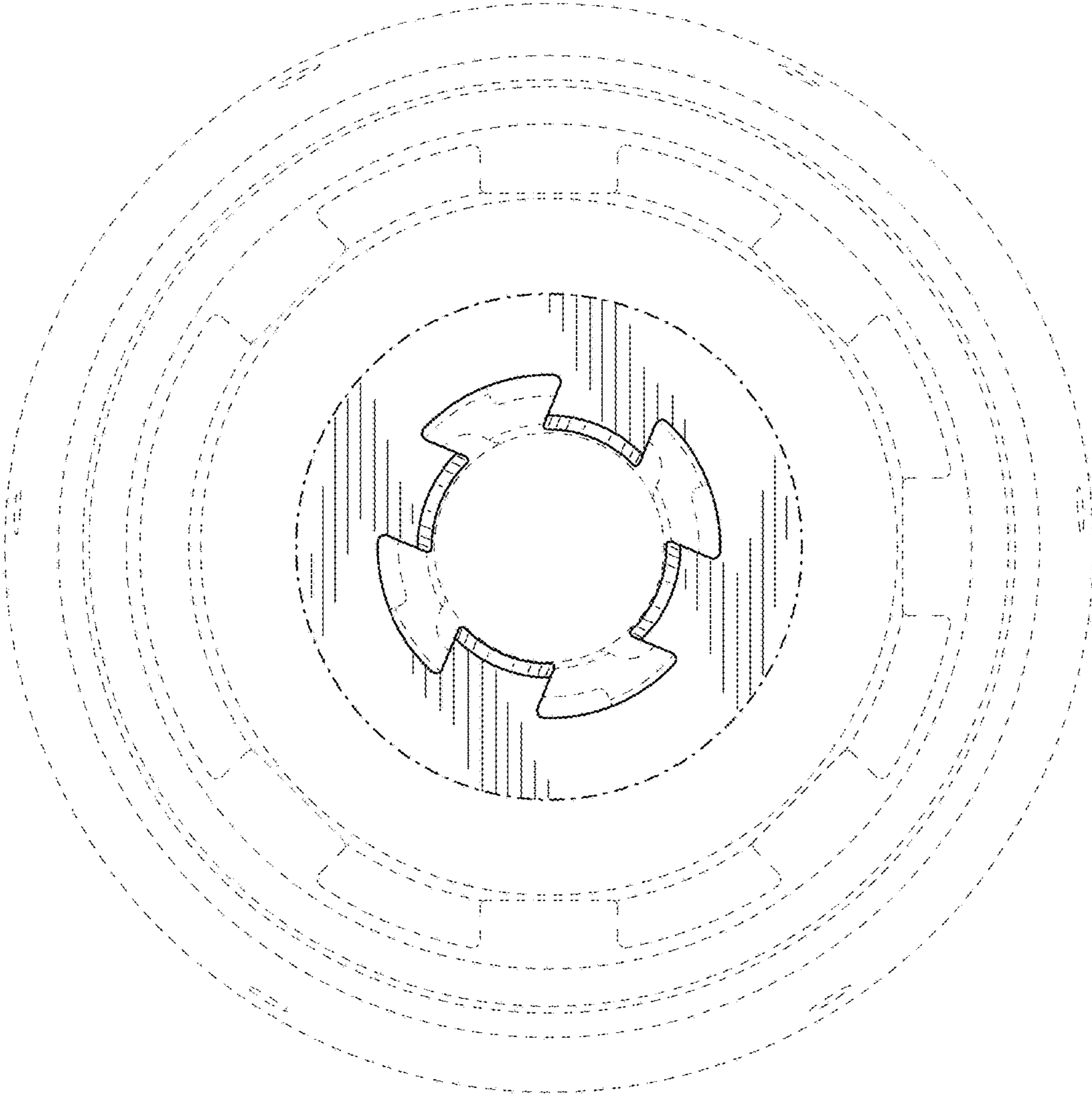


FIG. 4

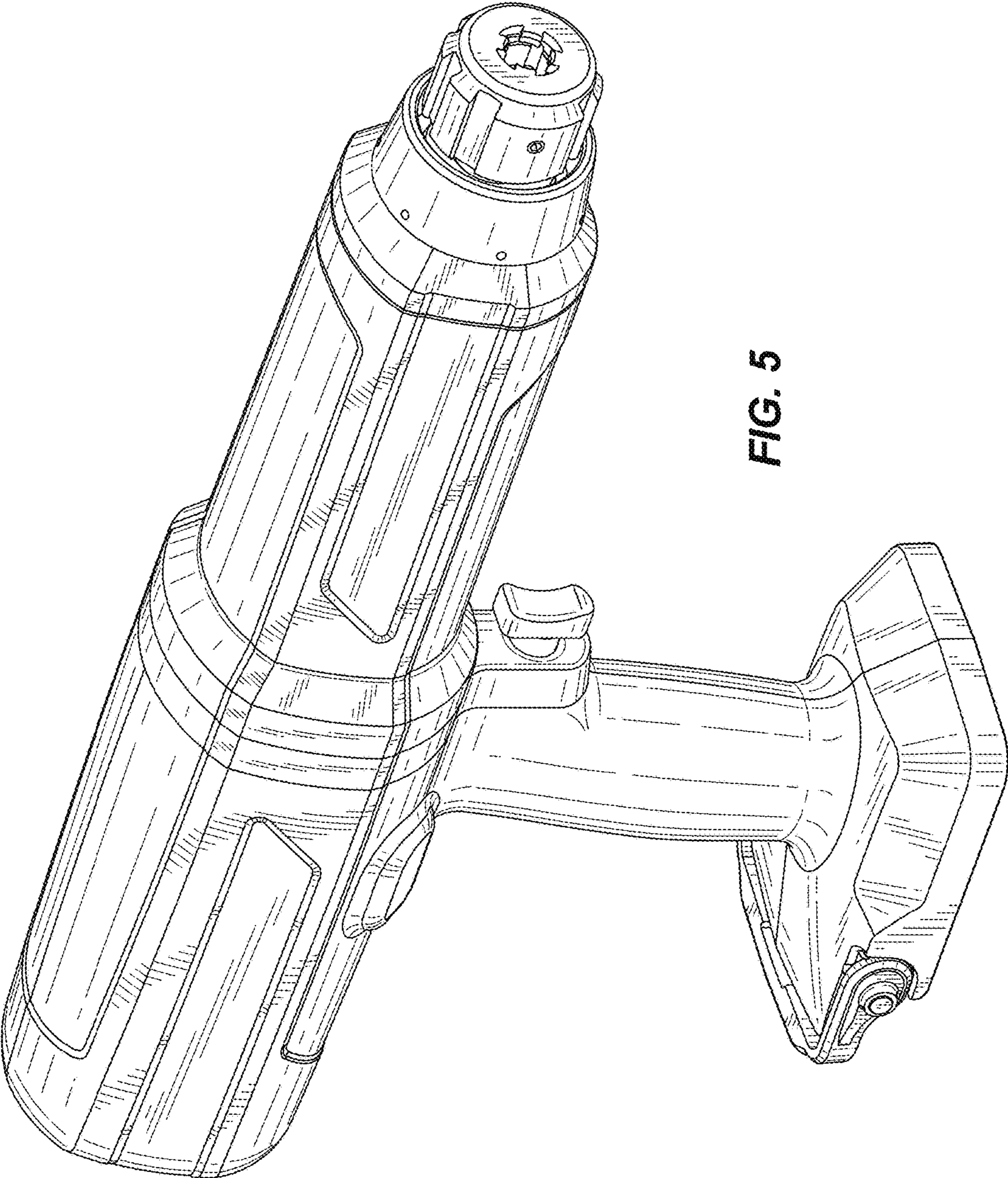


FIG. 5

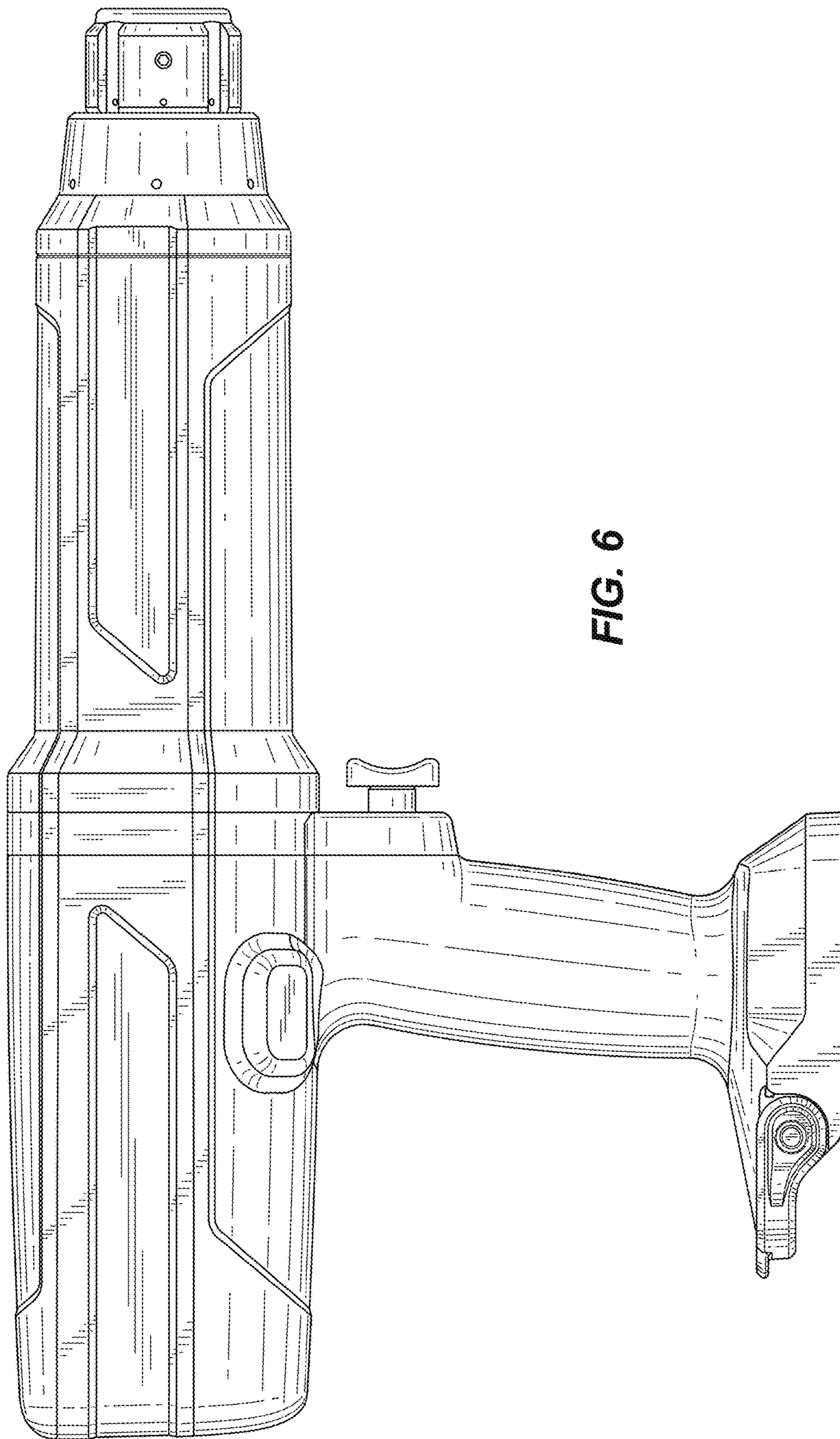


FIG. 6