



US00D780546S

(12) **United States Design Patent**  
**Kieu**

(10) **Patent No.:** **US D780,546 S**  
(45) **Date of Patent:** **\*\* Mar. 7, 2017**

- (54) **BOTTLE OPENER**
- (71) Applicant: **James Thao Kieu**, San Jose, CA (US)
- (72) Inventor: **James Thao Kieu**, San Jose, CA (US)
- (\*\*) Term: **15 Years**
- (21) Appl. No.: **29/537,660**
- (22) Filed: **Aug. 27, 2015**

2,738,117 A *	3/1956	Trindl .....	B67B 3/02
			53/363
D292,479 S *	10/1987	Beauchan .....	D8/40
D420,265 S *	2/2000	Pierce .....	D8/18
D488,689 S *	4/2004	Smith, IV .....	D8/18
D501,381 S *	2/2005	Kelleghan .....	D8/18
D624,378 S *	9/2010	Wysopal .....	D8/18
D637,463 S *	5/2011	Silvers .....	D8/18
D654,770 S *	2/2012	Frank .....	D8/40
D688,542 S *	8/2013	Wysoczynski .....	D8/18
D751,360 S *	3/2016	Oakley .....	D8/18
D758,161 S *	6/2016	Oakley .....	D8/105

**Related U.S. Application Data**

- (62) Division of application No. 29/495,930, filed on Jul. 7, 2014, now Pat. No. Des. 739,194.
- (51) **LOC (10) Cl.** ..... **07-99**
- (52) **U.S. Cl.**  
USPC ..... **D8/40**
- (58) **Field of Classification Search**  
USPC ..... D8/16, 18, 19, 33-43, 89, 98-104  
CPC .... B67B 7/00; B67B 7/14; B67B 7/16; B67B 7/24; B67B 7/30; B67B 7/32; B67B 7/34; B67B 7/36; B67B 7/38; B67B 7/44  
See application file for complete search history.

\* cited by examiner

*Primary Examiner* — Elizabeth Albert  
(74) *Attorney, Agent, or Firm* — Douglas L. Weller

(57) **CLAIM**

The ornamental design for a bottle opener, as shown and described.

**DESCRIPTION**

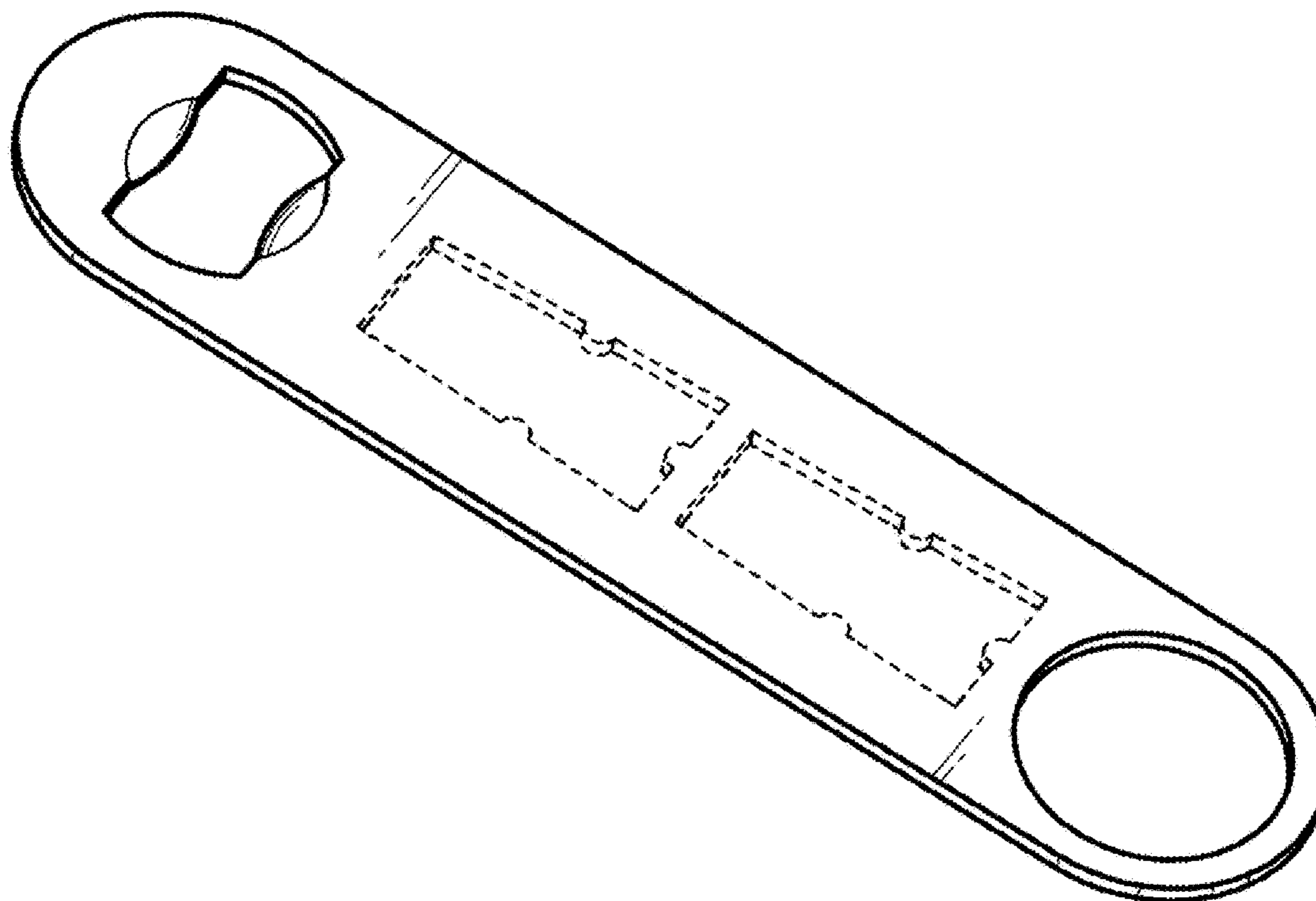
FIG. 1 is a top rear right perspective view of the bottle opener showing my new design;  
FIG. 2 is a top plan view thereof;  
FIG. 3 is a front elevational view thereof, the rear being a mirror image of the front; and,  
FIG. 4 is a right side elevational view thereof, the left being a mirror image of the right.  
The broken lines in FIGS. 1-4 are included to show portions of the bottle opener that form no part of the claimed design.

(56) **References Cited**

**U.S. PATENT DOCUMENTS**

2,514,566 A *	7/1950	Capriccio .....	B67B 3/02
			53/363
2,559,560 A *	7/1951	Larson .....	B67B 7/24
			30/414

**1 Claim, 2 Drawing Sheets**



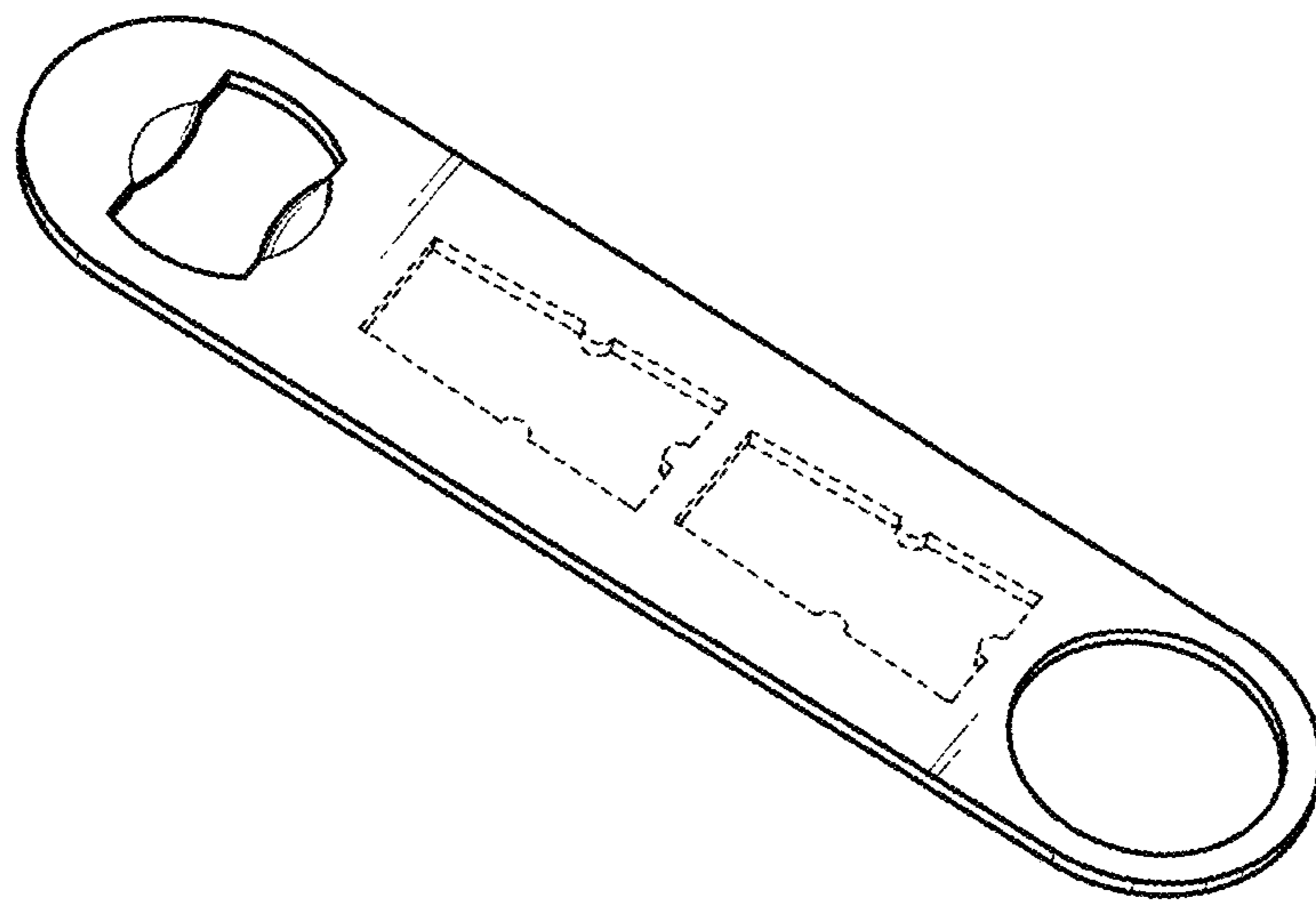


FIG. 1

FIG. 2

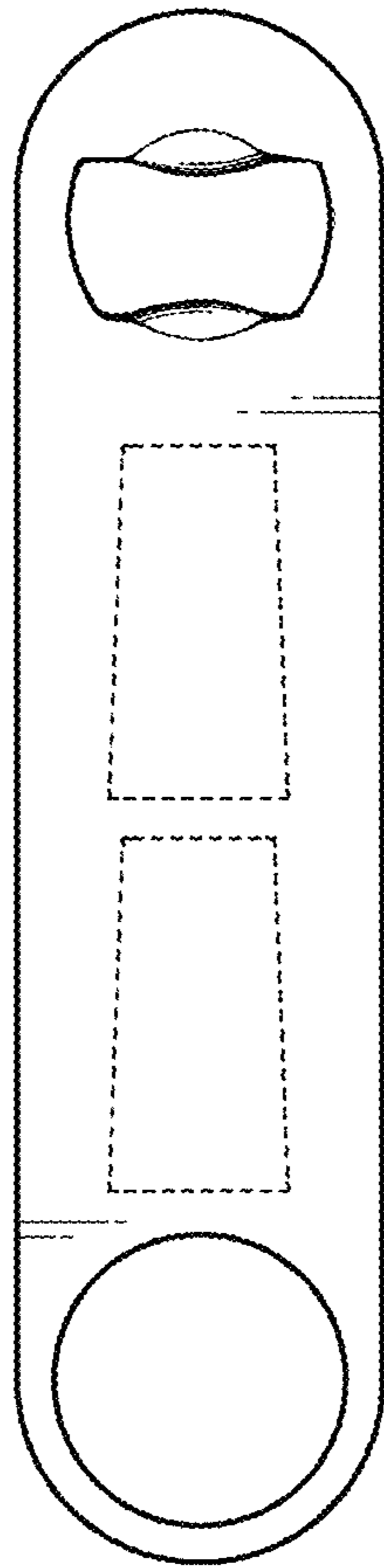


FIG. 3

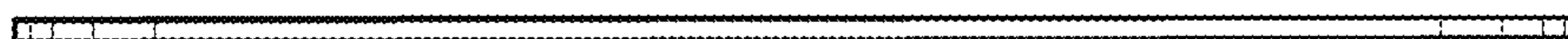


FIG. 4