



US00D780545S

(12) **United States Design Patent**
Lannon

(10) **Patent No.:** **US D780,545 S**

(45) **Date of Patent:** **** Mar. 7, 2017**

- (54) **BOTTLE OPENER SUNGLASS STRAP**
- (71) Applicant: **Brokies, Inc.**, Sandwich, MA (US)
- (72) Inventor: **Ryan Lannon**, Sandwich, MA (US)
- (73) Assignee: **Brokies Inc.**, Sandwich, MA (US)
- (**) Term: **15 Years**
- (21) Appl. No.: **29/539,365**
- (22) Filed: **Sep. 14, 2015**
- (51) **LOC (10) Cl.** **07-99**
- (52) **U.S. Cl.**
USPC **D8/34; D16/339**
- (58) **Field of Classification Search**
USPC D8/16, 18, 19, 33-43, 98, 100; D3/215,
D3/219, 327, 328; D11/201, 218;
D16/339
CPC B67B 7/00; B67B 7/14; B67B 7/16; B67B
7/18; B67B 7/20; B67B 7/24; B67B 7/44;
B67B 3/00; G02C 3/003
See application file for complete search history.

- 5,151,778 A * 9/1992 Conley A45C 11/04
2/452
- 5,157,425 A * 10/1992 Liu G02C 3/003
24/3.13
- D337,337 S * 7/1993 Dang D16/339
- 5,384,605 A * 1/1995 Escobosa G02C 3/003
2/452
- D355,358 S * 2/1995 Starr D16/339
- 5,503,315 A * 4/1996 Ruzika G10G 5/00
224/257
- D371,150 S * 6/1996 Bolash, IV D16/339
- 5,575,042 A * 11/1996 Kalbach G02C 3/003
24/3.13
- 5,628,092 A * 5/1997 Harris G02C 3/003
24/3.3
- 5,735,393 A * 4/1998 Shiue A45C 11/04
206/5
- D411,562 S * 6/1999 Riley D16/339

(Continued)

Primary Examiner — Elizabeth Albert
(74) *Attorney, Agent, or Firm* — Bay State IP, LLC

(57) **CLAIM**

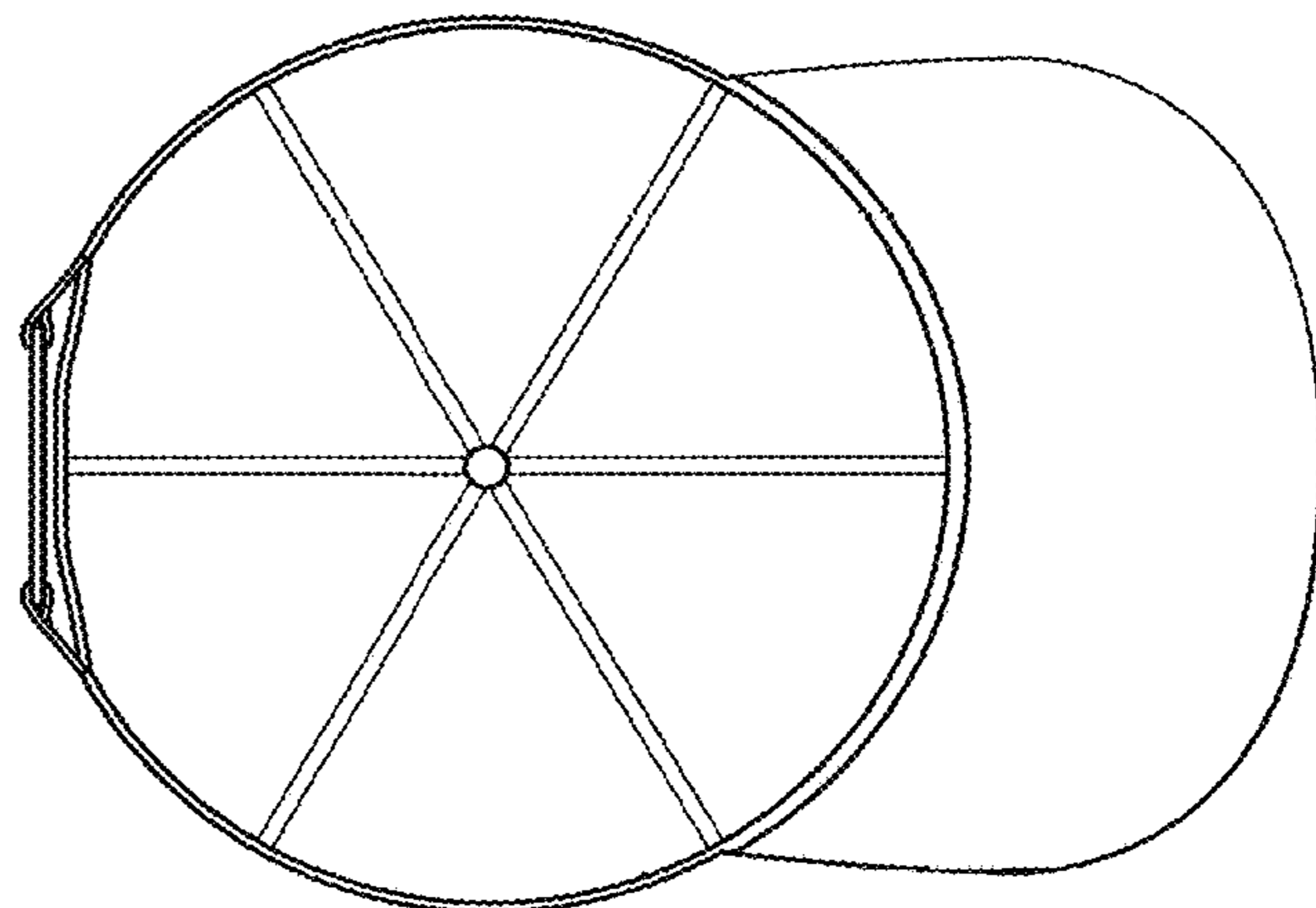
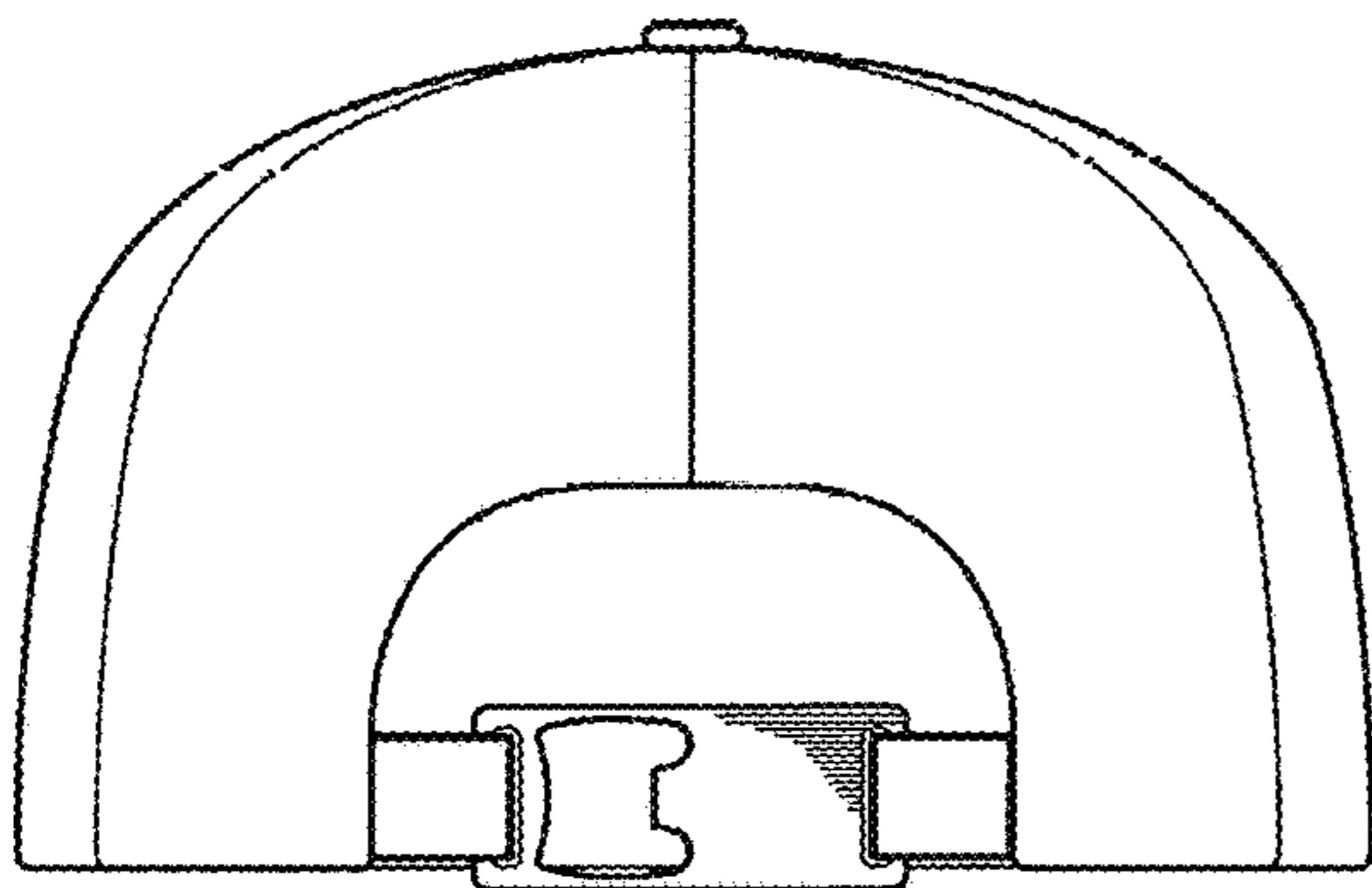
The ornamental design for a bottle opener sunglass strap, as shown and described.

DESCRIPTION

FIG. 1 is a front perspective view showing my design; FIG. 2 is a rear perspective view thereof; FIG. 3 is a top view thereof; FIG. 4 is a right side view thereof; FIG. 5 is a front view thereof; FIG. 6 is a back view thereof; and, FIG. 7 is a perspective view showing the design in an environment. The broken lines are included for the purpose of showing an article in the environment that forms no part of the claimed design.

1 Claim, 4 Drawing Sheets

- (56) **References Cited**
U.S. PATENT DOCUMENTS
D205,370 S * 7/1966 Roeschlaub 81/3.57
4,133,604 A * 1/1979 Fuller G02C 3/003
351/123
D278,950 S * 5/1985 Vaughan D3/208
4,541,696 A * 9/1985 Winger G02C 3/003
351/123
4,733,809 A * 3/1988 Pursell B60R 9/12
224/319
4,976,531 A * 12/1990 Kahaney G02C 11/00
351/156
5,081,719 A * 1/1992 Donnelly A41F 9/005
182/3



(56)

References Cited

U.S. PATENT DOCUMENTS

5,917,576 A * 6/1999 Falco G02C 3/003
351/157
6,131,209 A * 10/2000 Thayer A61F 9/025
2/426
D500,598 S * 1/2005 Ramos D3/327
D513,519 S * 1/2006 Chisolm D16/339
D674,431 S * 1/2013 Kim D16/243
D687,693 S * 8/2013 Caudle D8/40
D711,707 S * 8/2014 Hoyord D8/18
D767,665 S * 9/2016 McSwain D16/339

* cited by examiner

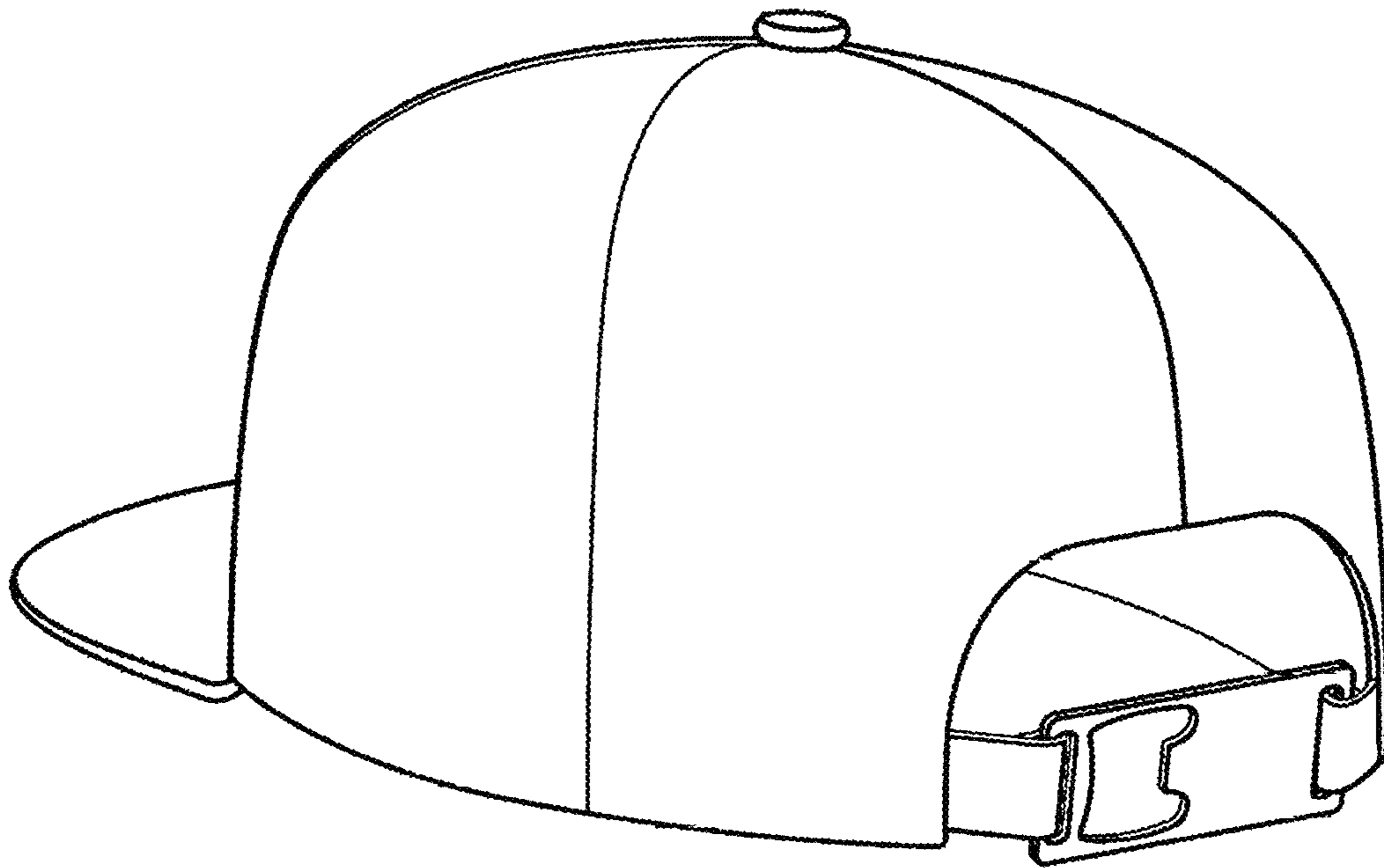


Fig. 1

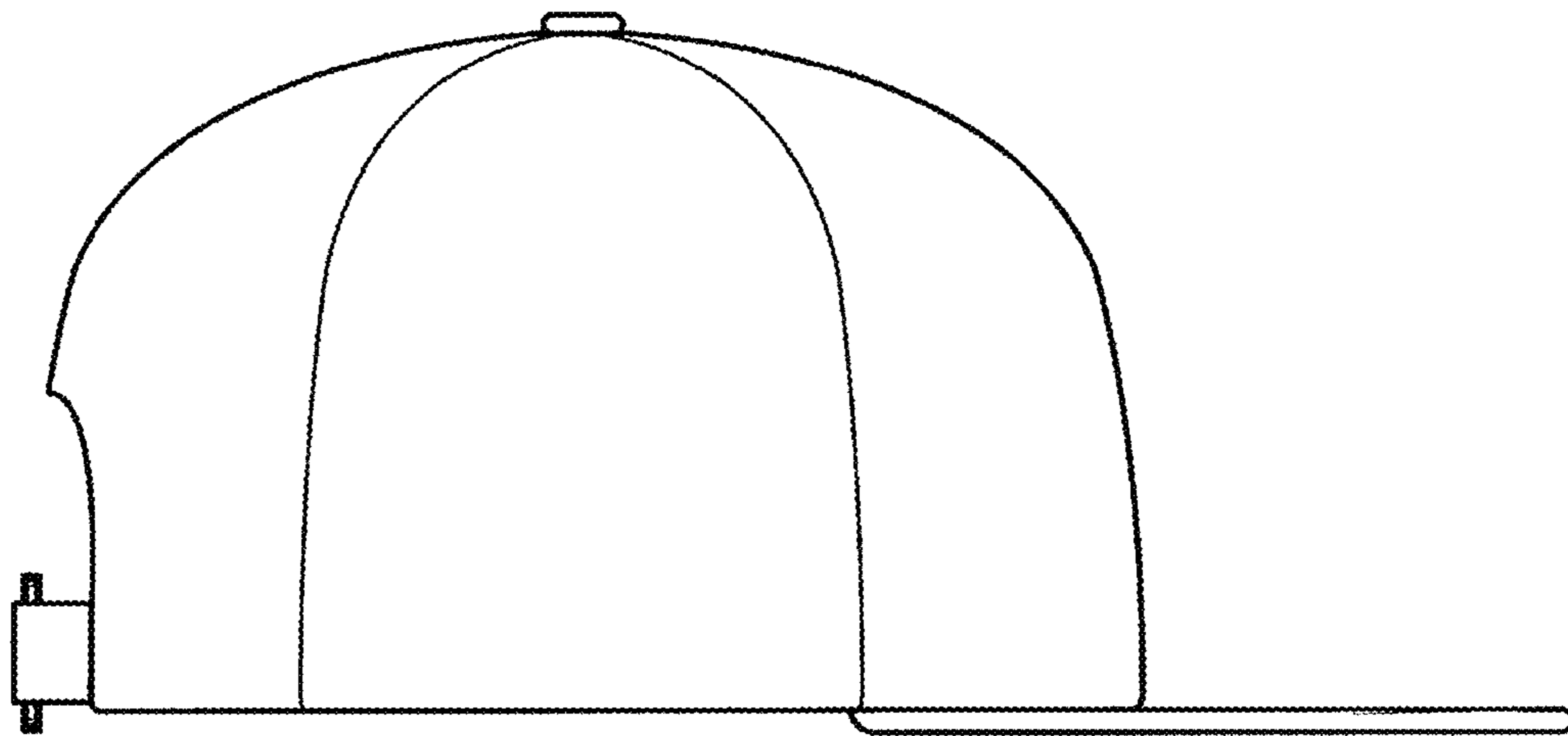


Fig. 2

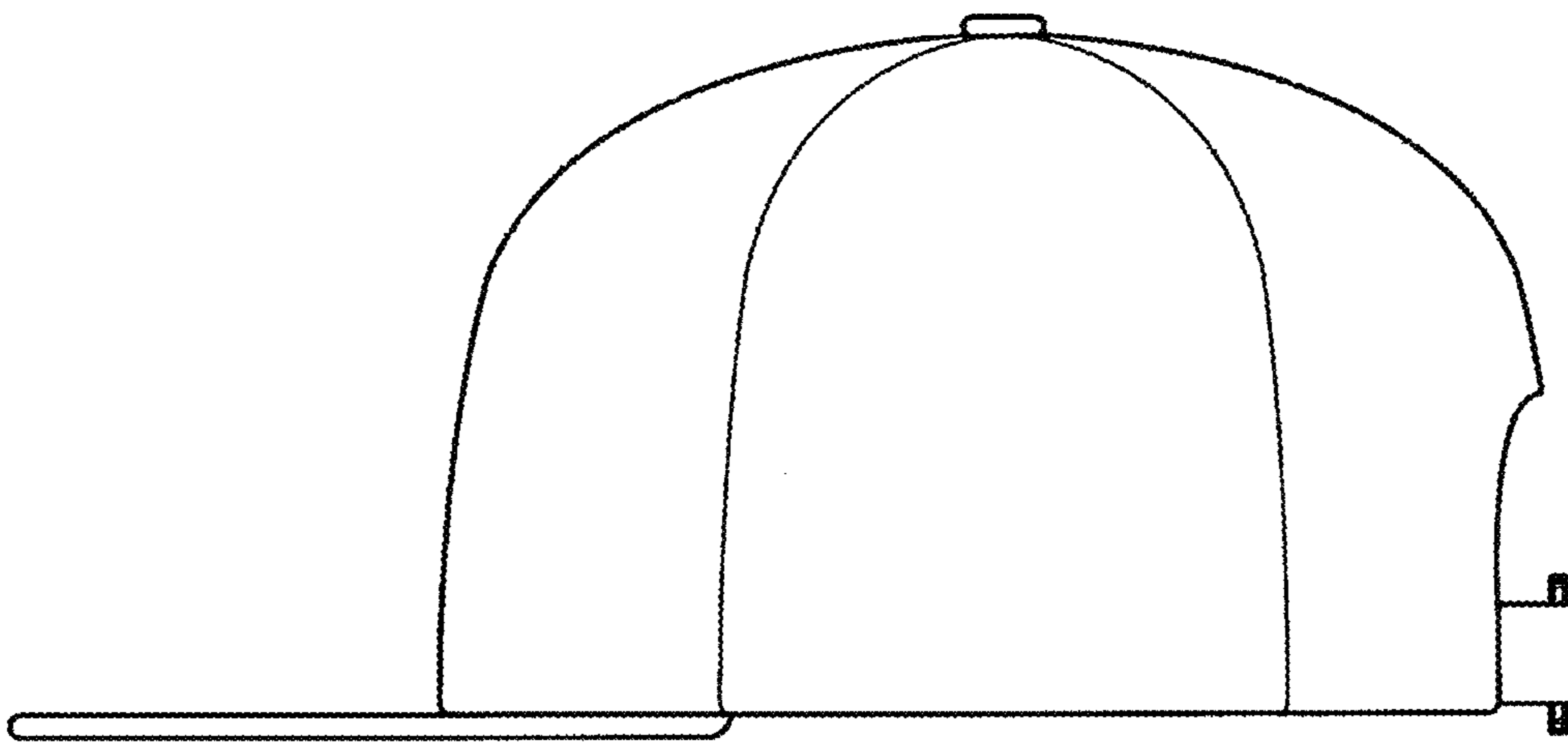


Fig. 3

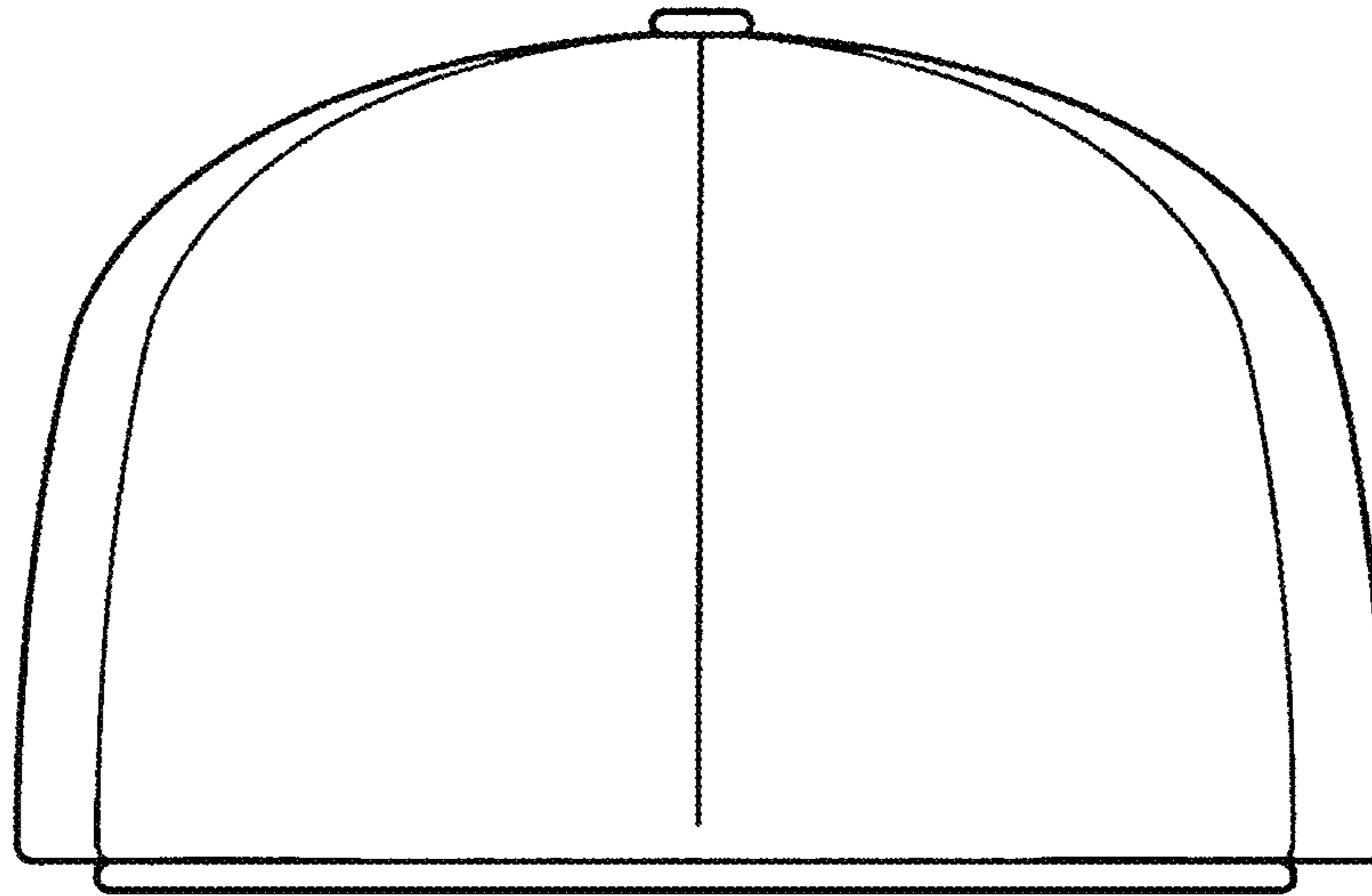


Fig. 4

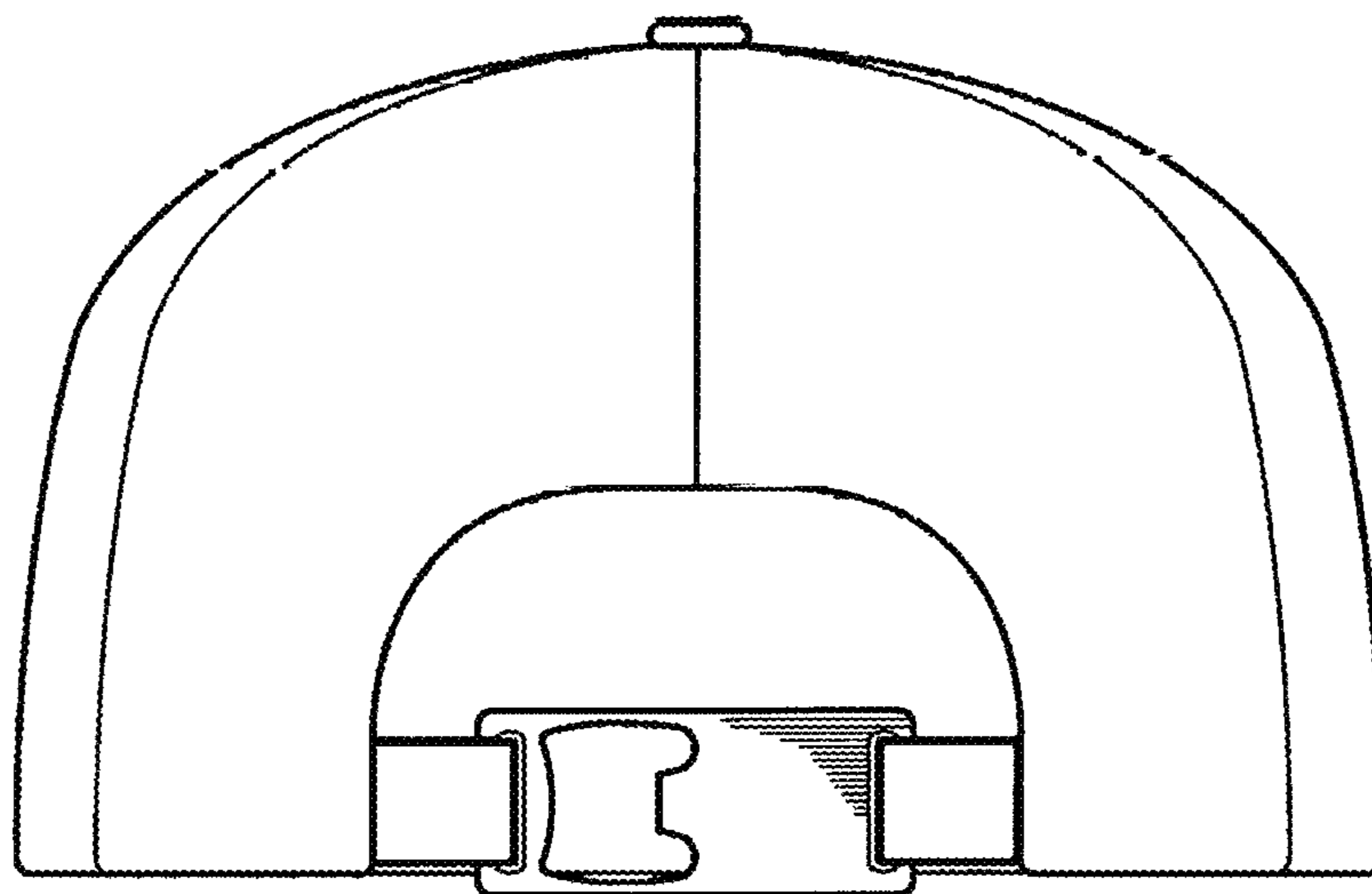


Fig. 5

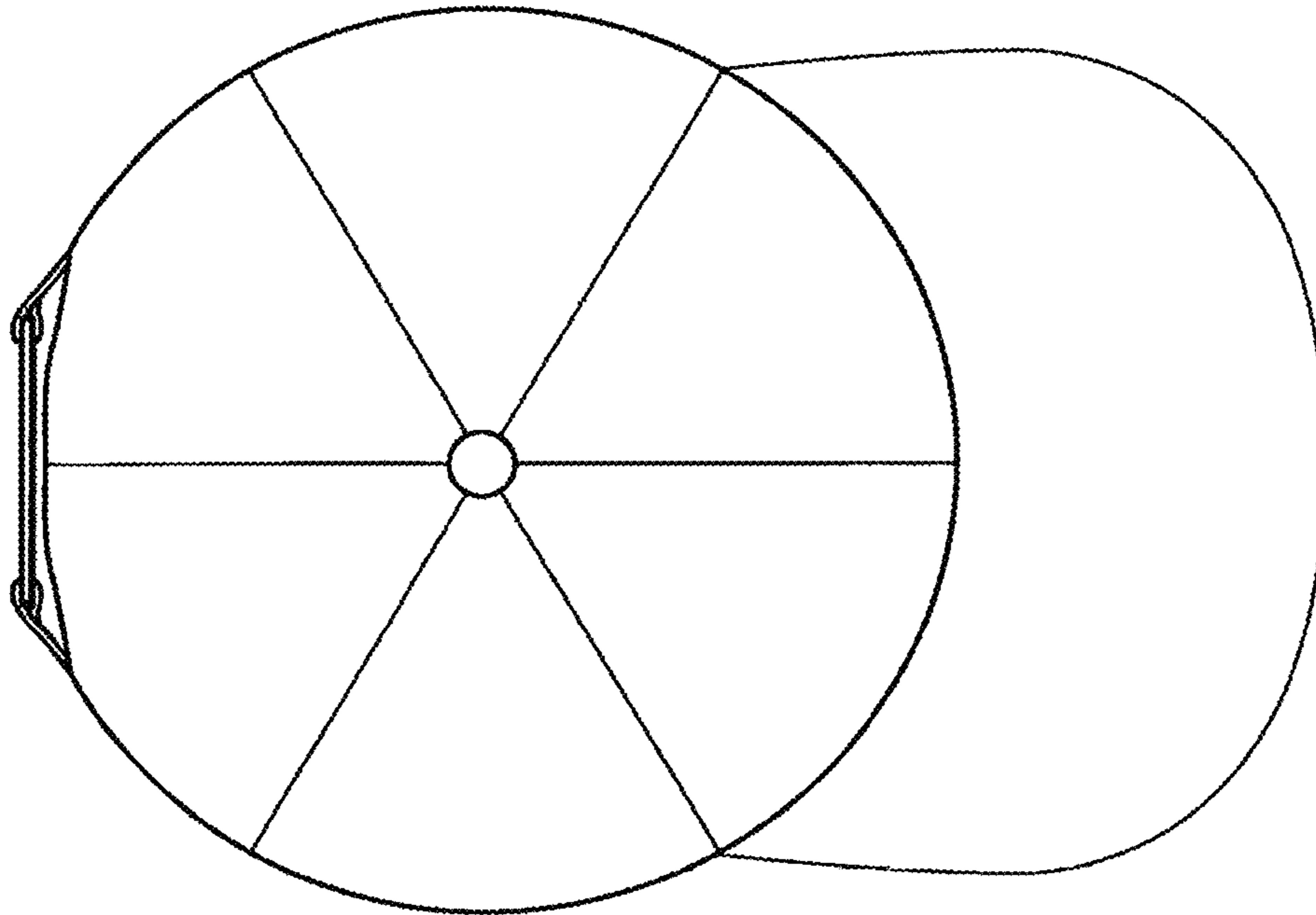


Fig. 6

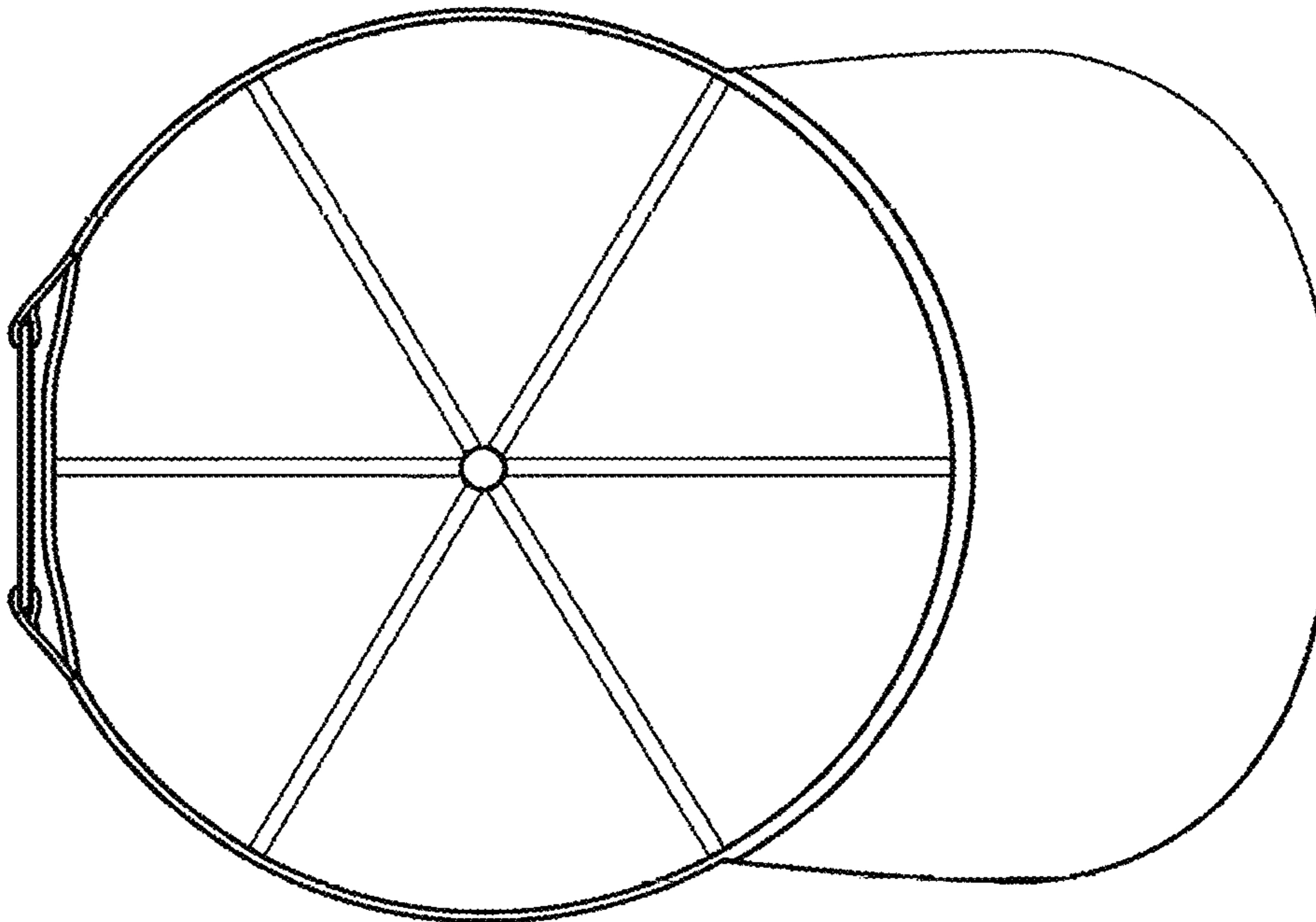


Fig. 7