



US00D780544S

(12) **United States Design Patent**
Kim

(10) **Patent No.:** **US D780,544 S**
(45) **Date of Patent:** **** Mar. 7, 2017**

- (54) **VALVE REMOVER WITH STORAGE VOLUME**
- (71) Applicant: **Young Chang T.I.W. Co., Ltd.**, Seoul (KR)
- (72) Inventor: **Yvonne Kim**, Walnut, CA (US)
- (73) Assignee: **Young Chang T. I.W. Co., Ltd.**, Seoul (KR)
- (**) Term: **15 Years**
- (21) Appl. No.: **29/557,693**
- (22) Filed: **Mar. 10, 2016**
- (51) **LOC (10) Cl.** **08-05**
- (52) **U.S. Cl.**
USPC **D8/21**
- (58) **Field of Classification Search**
USPC D8/21-29, 82, 83, 88, 89, 51, 59; 81/60, 81/177.1, 177.85, 121.1, 124.3, 165-170, 81/110.1, 176.2, 124.6, 176.1, 176.15, 81/177.2, 133, 157, 173
CPC G01L 17/00
See application file for complete search history.

- D237,939 S * 12/1975 Seminario D8/51
- 6,374,708 B1 * 4/2002 Kunz B25B 13/5091
81/124.2
- D687,696 S * 8/2013 Nieto D8/84
- D722,866 S * 2/2015 Campbell D8/331
- D755,026 S * 5/2016 Kim D8/21

* cited by examiner

Primary Examiner — Randall Gholson
(74) *Attorney, Agent, or Firm* — Thomas Coester
Intellectual Property

(57) **CLAIM**

The ornamental design for a valve remover with storage volume, as shown and described.

DESCRIPTION

FIG. 1 is a first perspective view of a valve remover with storage volume according to one embodiment of the invention.

FIG. 2 is a left side view of the valve remover with storage volume of FIG. 1.

FIG. 3 is an end view of the valve remover with storage volume of FIG. 1.

FIG. 4 is an opposing end view of the valve remover with storage volume of FIG. 3.

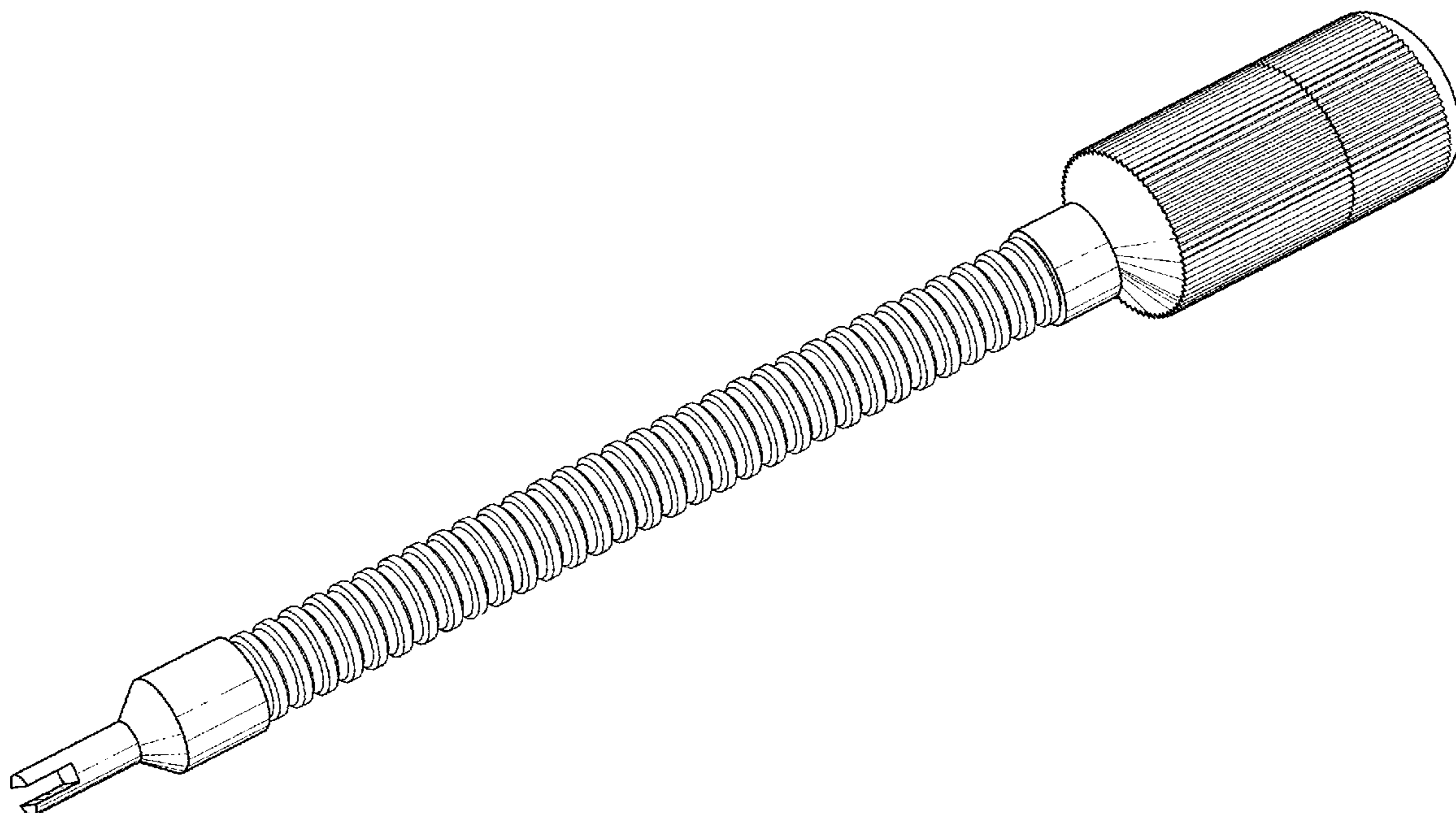
FIG. 5 is a right side view of the valve remover with storage volume of FIG. 1.

FIG. 6 is a front side view of the valve remover with storage volume of FIG. 1; and,

FIG. 7 is a back side view of the valve remover with storage volume of FIG. 1.

1 Claim, 3 Drawing Sheets

- (56) **References Cited**
U.S. PATENT DOCUMENTS
- 2,417,360 A * 3/1947 Heintzelman B60C 25/18
29/240
- 2,686,445 A * 8/1954 Keck G01L 17/00
188/67
- 2,749,783 A * 6/1956 Burget B60C 25/18
81/125



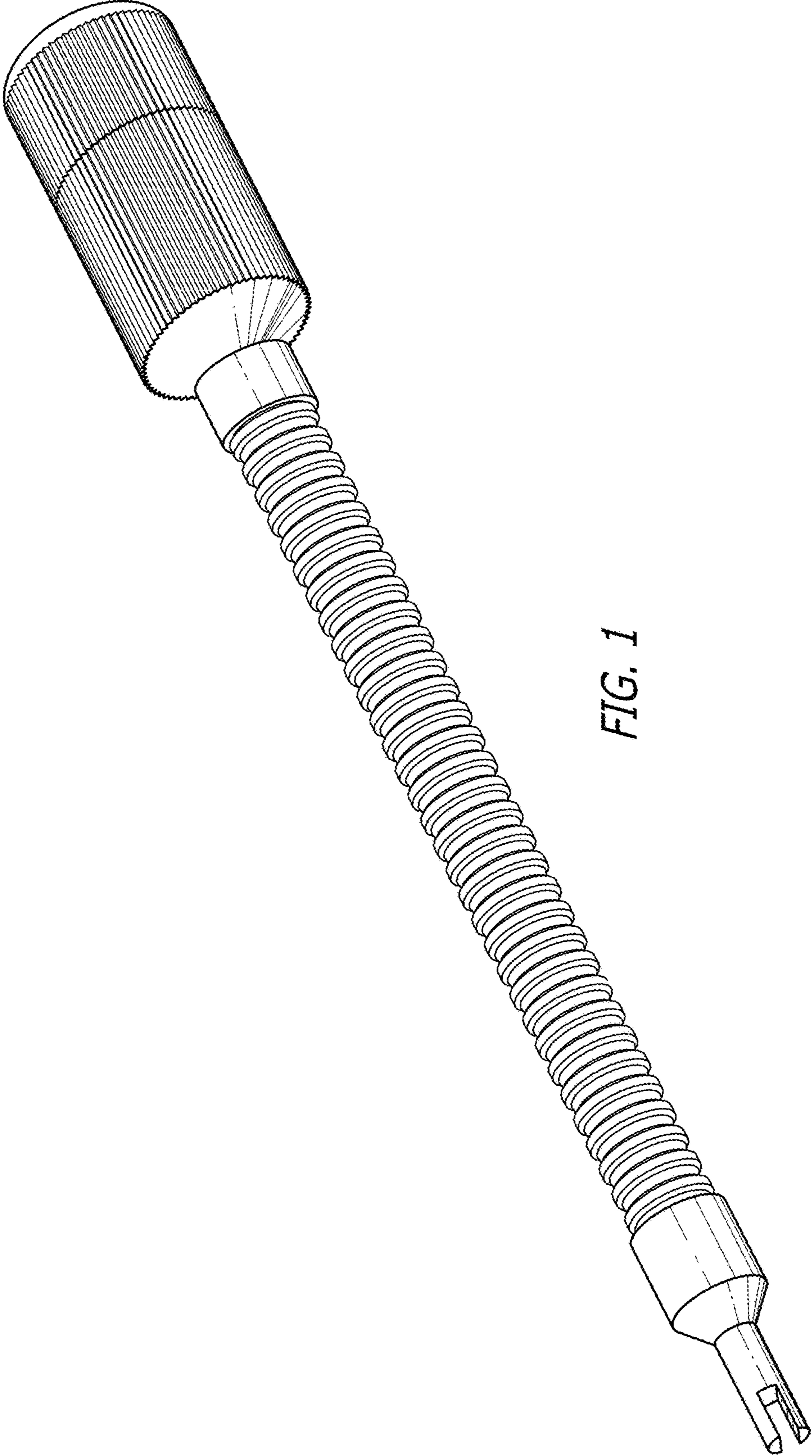


FIG. 1

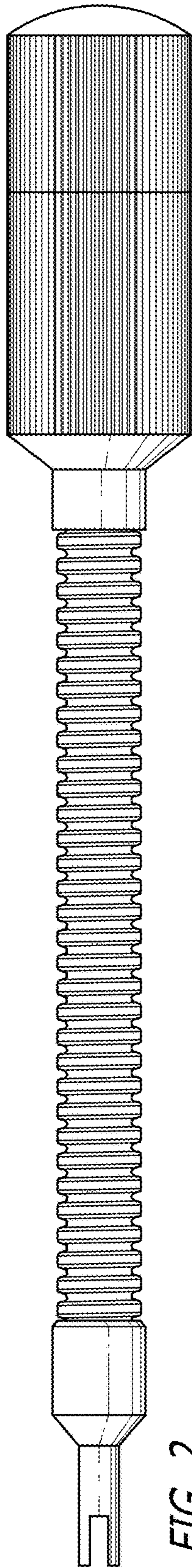


FIG. 2

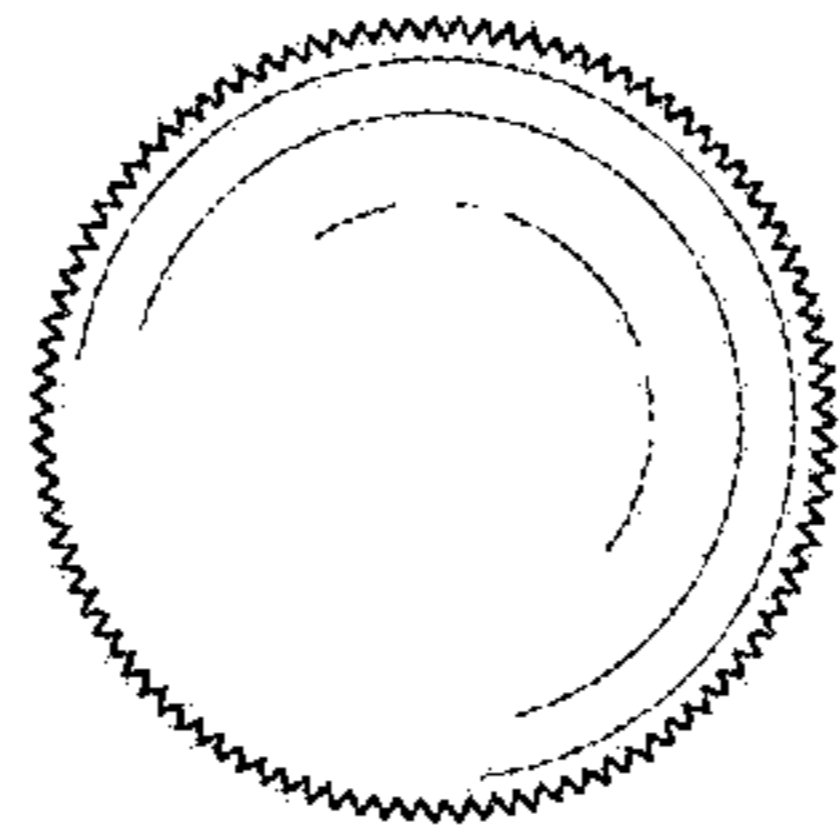


FIG. 4

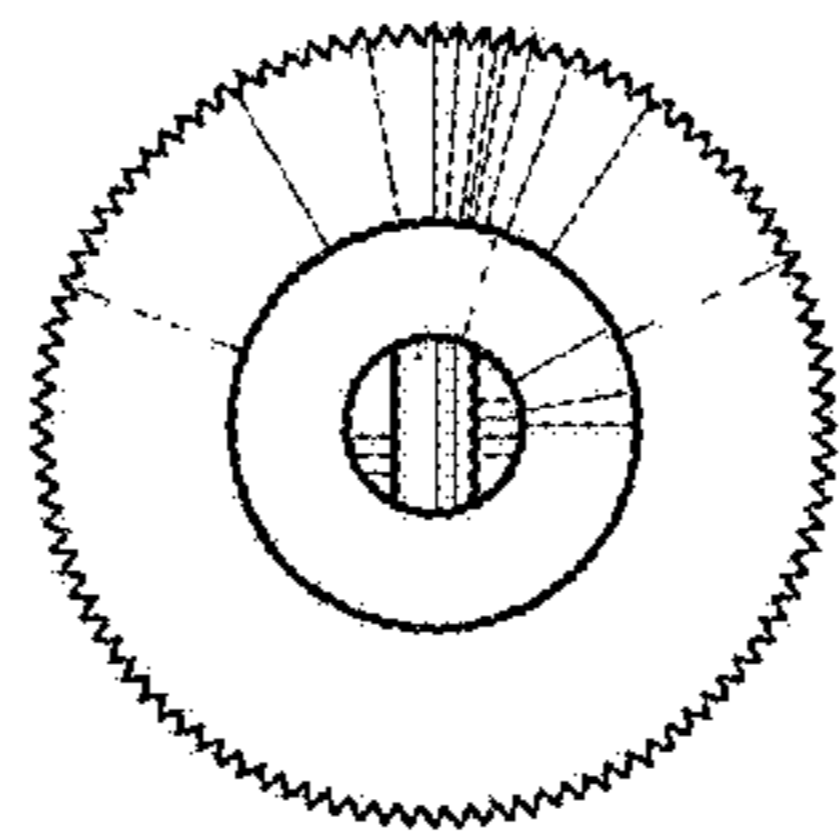


FIG. 3

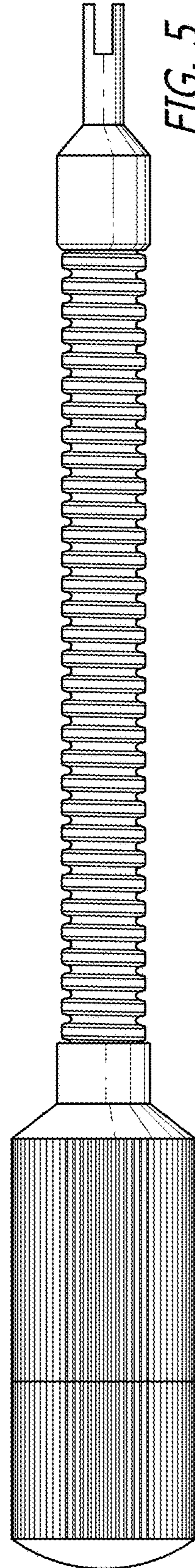


FIG. 5

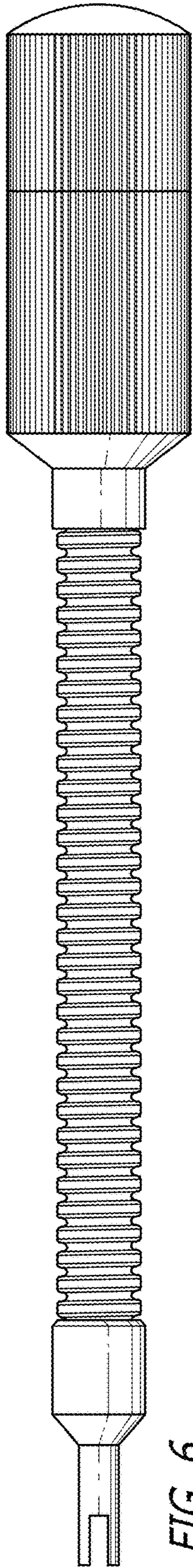


FIG. 6

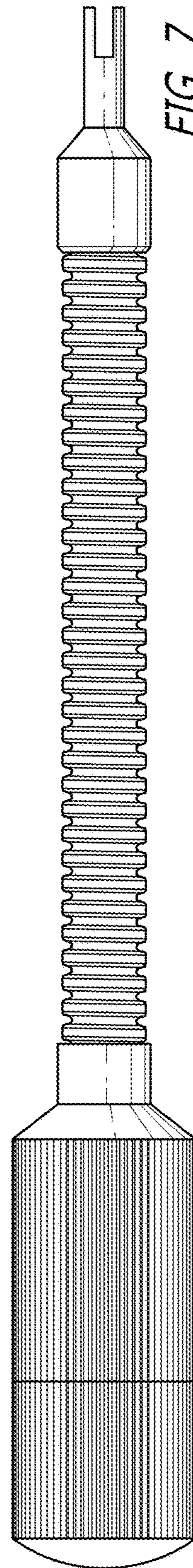


FIG. 7