



US00D780538S

(12) **United States Design Patent**
Arobas

(10) **Patent No.:** **US D780,538 S**
(45) **Date of Patent:** **** Mar. 7, 2017**

- (54) **SLICER**
- (71) Applicant: **MindBlowers Limited**, Douglas, Isle of Man (GB)
- (72) Inventor: **Rivka Arobas**, Douglas, Isle of Man (GB)
- (73) Assignee: **Mindblowers Limited** (GB)
- (**) Term: **15 Years**
- (21) Appl. No.: **29/538,312**
- (22) Filed: **Sep. 2, 2015**
- (51) **LOC (10) Cl.** **07-04**
- (52) **U.S. Cl.**
USPC **D7/694**
- (58) **Field of Classification Search**
USPC D7/680-696, 393, 395; D8/98, 99, 51;
D3/18
CPC B26B 25/005
See application file for complete search history.

- D252,180 S * 6/1979 Zuber D24/211
- D253,155 S * 10/1979 Jurida D24/211
- 6,484,405 B1 * 11/2002 Martelli B26B 25/005
30/292
- D511,075 S * 11/2005 Christ D7/694
- D614,461 S * 4/2010 Bourgeois D7/672
- 2010/0263217 A1 * 10/2010 Baxter B26B 25/005
30/287

* cited by examiner

Primary Examiner — Terry Wallace
(74) *Attorney, Agent, or Firm* — Gearhart Law LLC

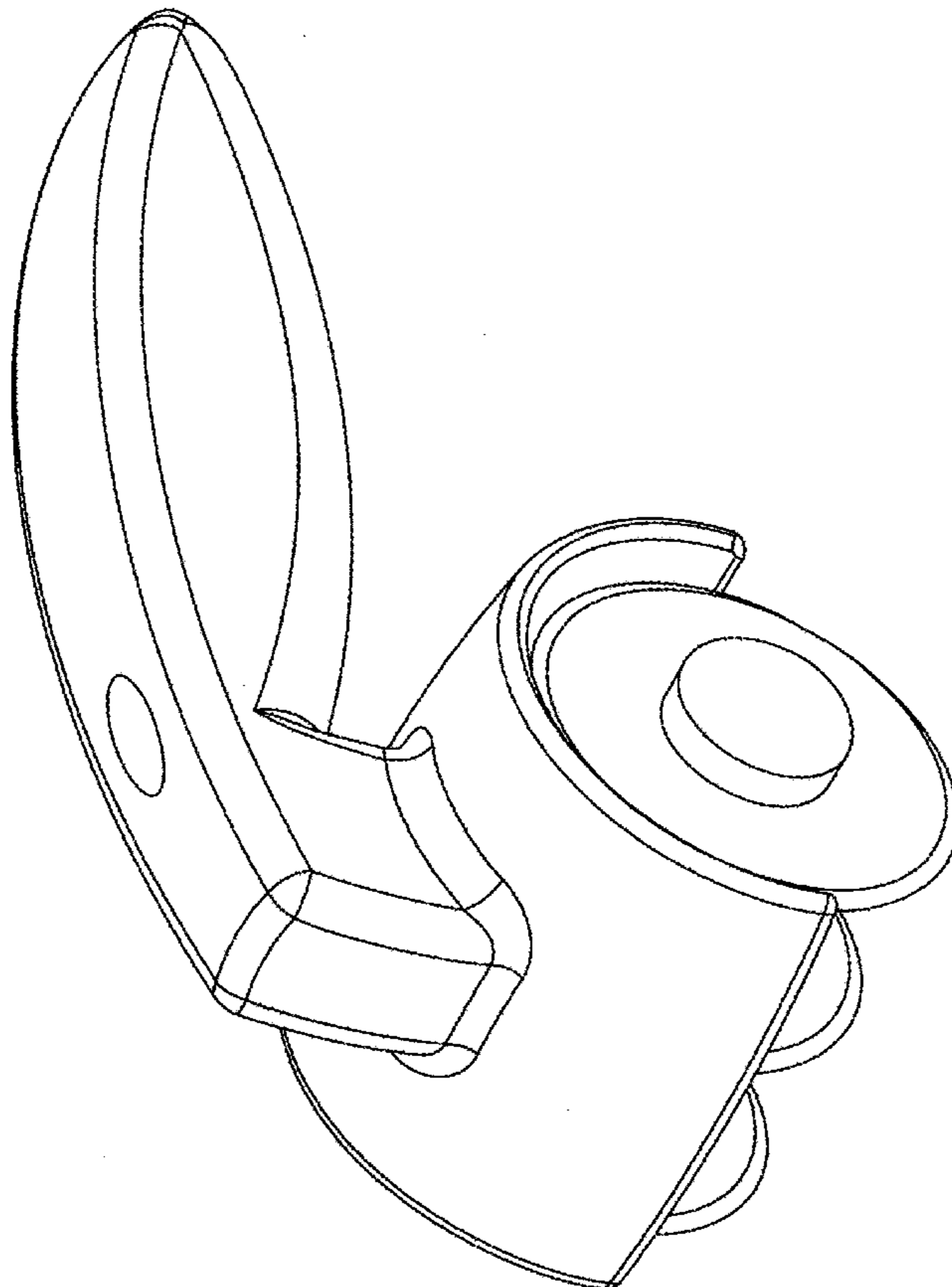
- (56) **References Cited**
U.S. PATENT DOCUMENTS
3,217,666 A * 11/1965 Thode A21C 3/021
15/230
3,994,652 A * 11/1976 Kuzyk A21C 3/021
30/307

(57) **CLAIM**
The ornamental design for a slicer, as shown.

DESCRIPTION

FIG. 1 is a perspective view of the slicer.
FIG. 2 is a front view of the slicer as shown in FIG. 1.
FIG. 3 is a rear view of the slicer as shown in FIG. 1.
FIG. 4 is a left side view of the slicer as shown in FIG. 1.
FIG. 5 is a right side view of the slicer as shown in FIG. 1.
FIG. 6 is a bottom view of the slicer as shown in FIG. 1; and,
FIG. 7 is a top view of the slicer as shown in FIG. 1.

1 Claim, 7 Drawing Sheets



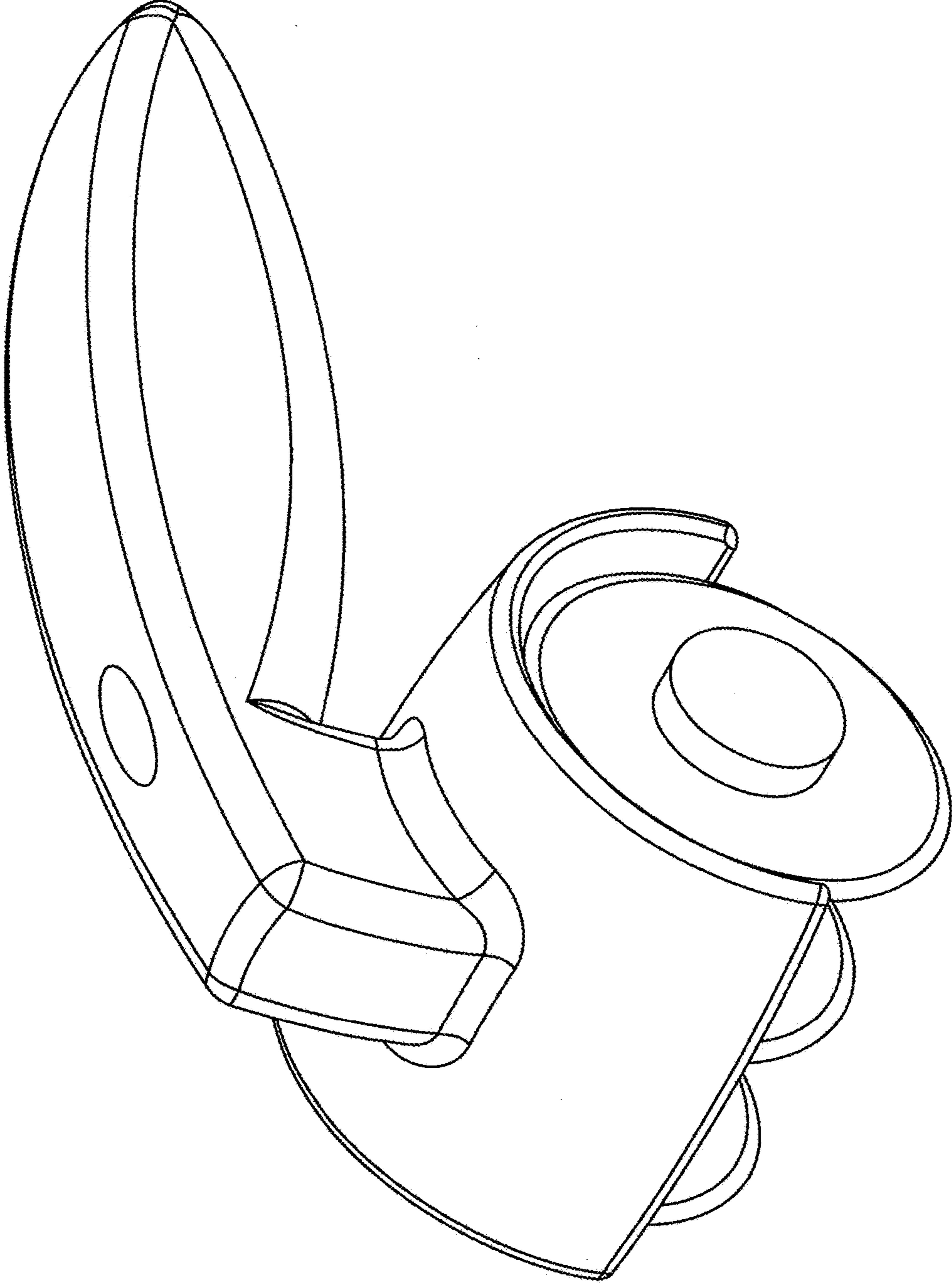


FIG. 1

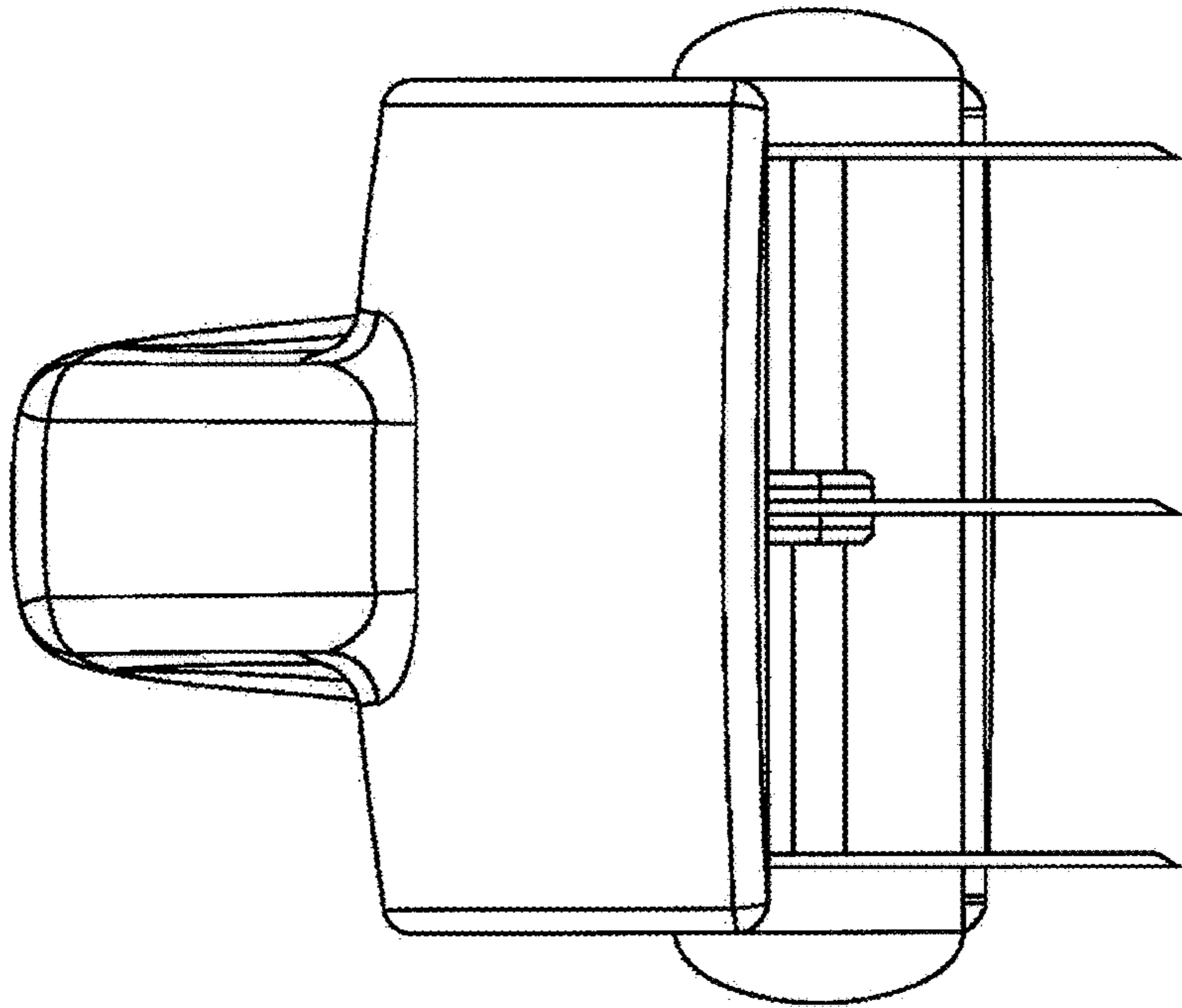


FIG. 2

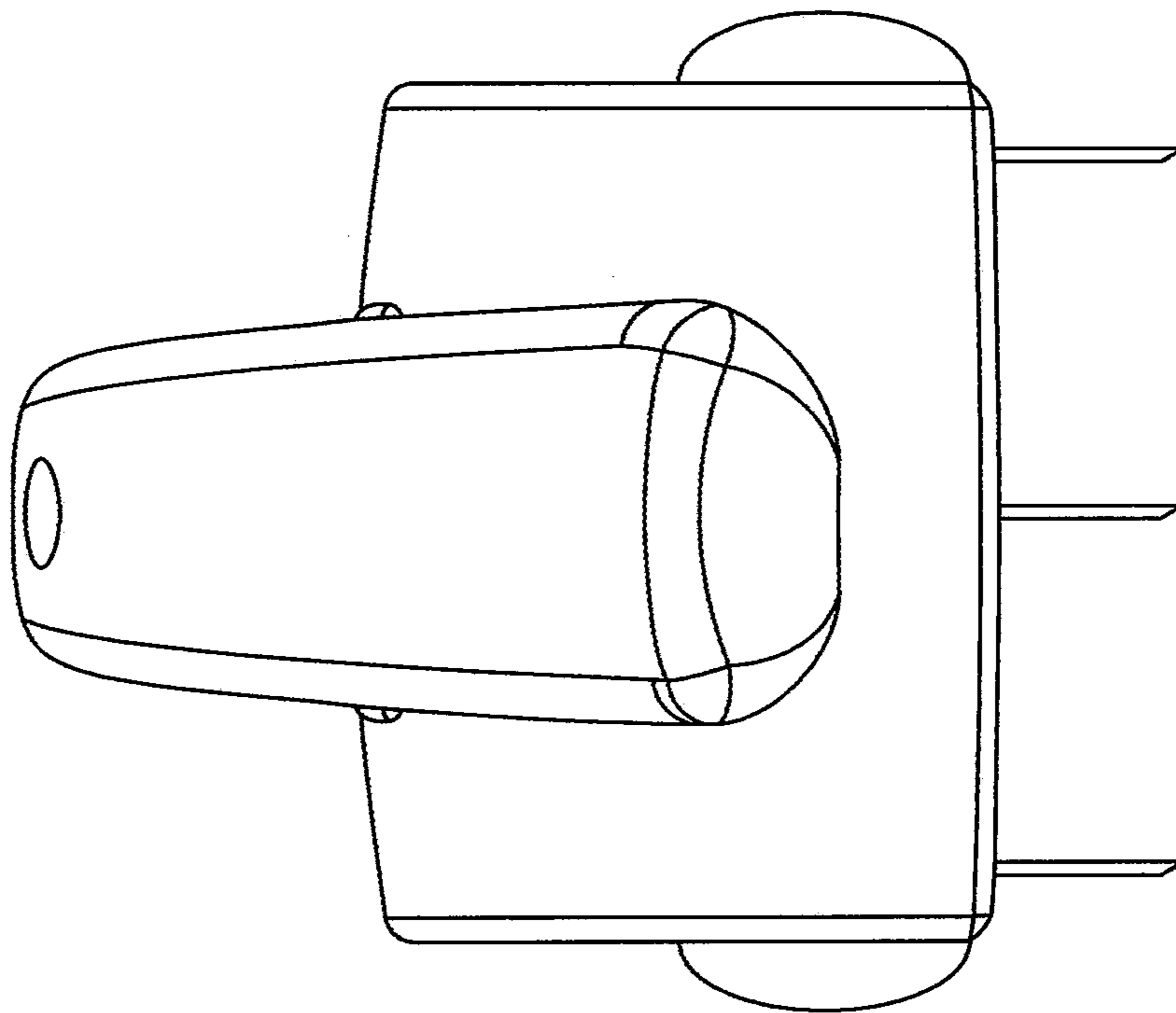


FIG. 3

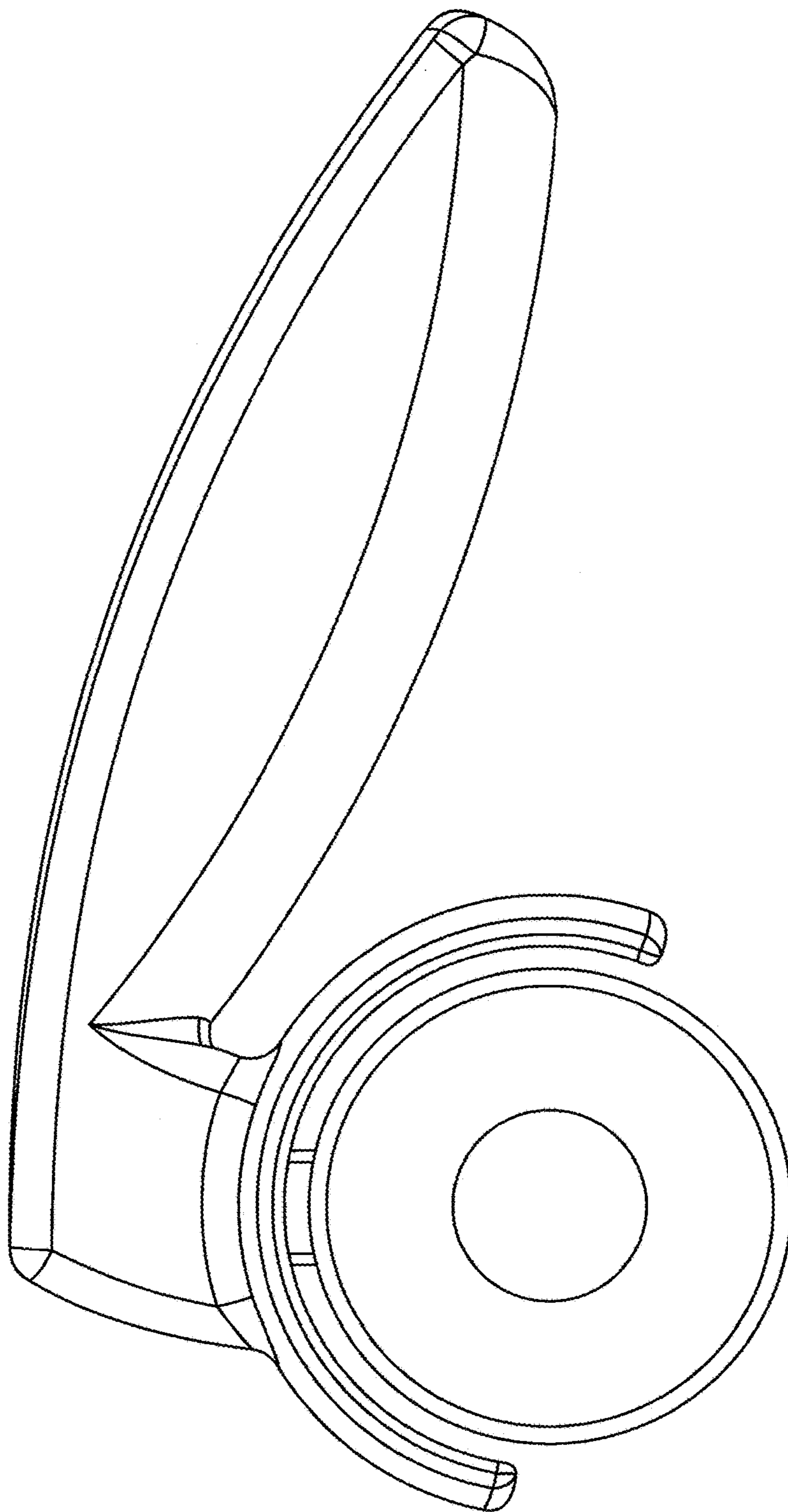


FIG. 4

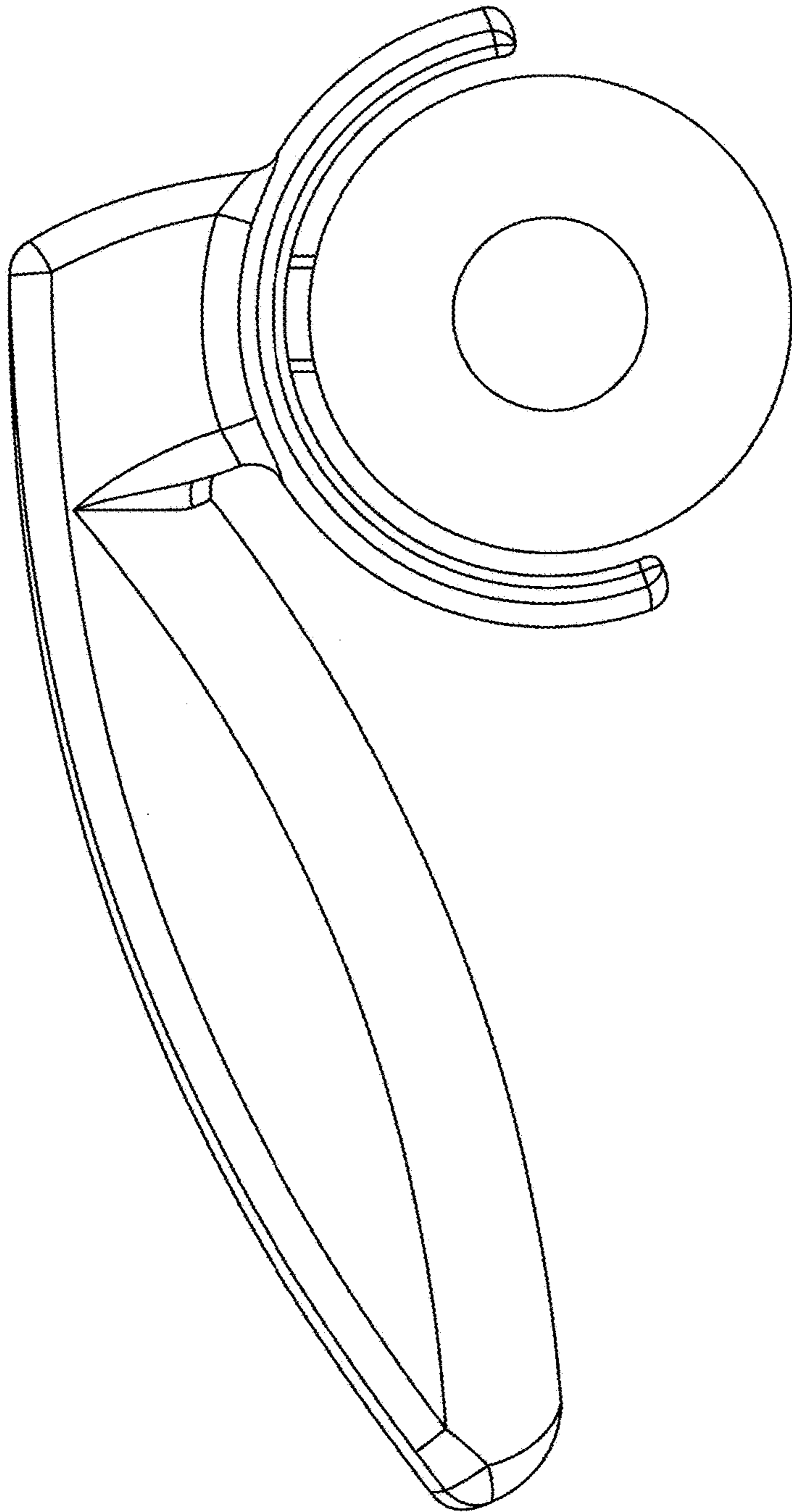


FIG. 5

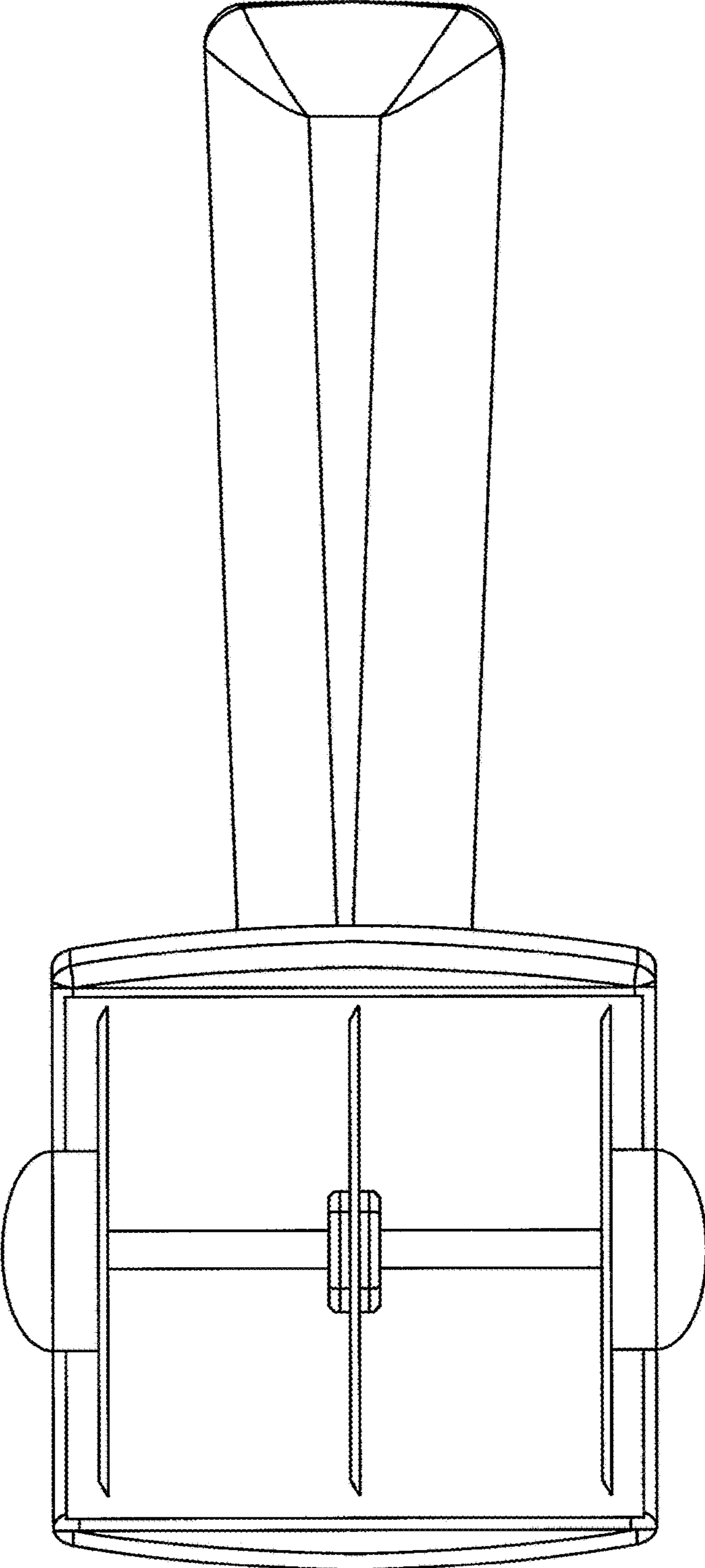


FIG. 6

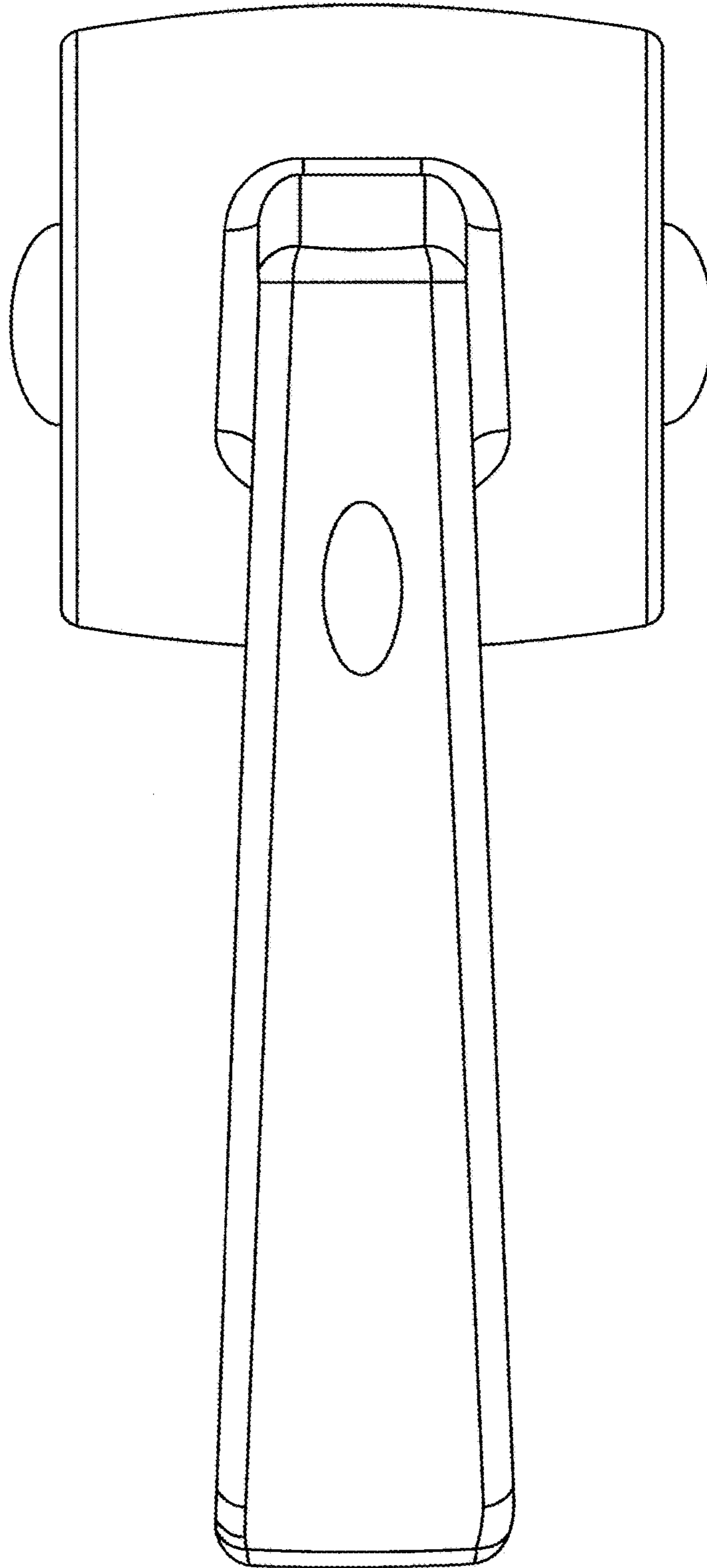


FIG. 7