



US00D780537S

(12) **United States Design Patent**  
**Mills**

(10) **Patent No.:** **US D780,537 S**

(45) **Date of Patent:** **\*\* Mar. 7, 2017**

(54) **SINGLE DISC MEAT TENDERIZER**

(71) Applicant: **Roderick Mills**, Hot Springs, AR (US)

(72) Inventor: **Roderick Mills**, Hot Springs, AR (US)

(\*\*) Term: **15 Years**

(21) Appl. No.: **29/544,500**

(22) Filed: **Nov. 4, 2015**

(51) **LOC (10) Cl.** ..... **07-04**

(52) **U.S. Cl.**

USPC ..... **D7/682**; D7/694

(58) **Field of Classification Search**

USPC ..... D7/680-696, 393, 395; D8/51, 98, 99

CPC ..... B26B 25/005; B26B 25/00; B26B 5/003;

A22C 9/008; A22C 9/00; A22C

9/007; A22C 9/001; A22C 9/004; A41H

11/00

See application file for complete search history.

(56) **References Cited**

**U.S. PATENT DOCUMENTS**

178,273 A	6/1876	Coburn	
520,173 A *	5/1894	Wagner	A22C 9/008 30/307
589,477 A *	9/1897	Maisonville	A22C 9/008 30/307
900,300 A *	10/1908	Nicolas	A22B 5/168 30/286
942,448 A *	12/1909	Humeston	A22C 9/008 172/154
976,496 A	11/1910	Reiser	
2,092,654 A *	9/1937	Nigh	A22C 9/004 452/145

3,281,938 A \* 11/1966 Nakayama ..... A41H 11/00  
30/365

3,286,349 A \* 11/1966 Larson ..... B26B 25/005  
30/292

3,774,490 A 11/1973 Gerson  
D232,413 S 8/1974 Woodmere

4,200,958 A \* 5/1980 Jurida ..... A22C 9/004  
452/145

4,380,850 A \* 4/1983 Coburn ..... A22C 9/008  
452/145

D318,209 S 7/1991 Boxman

D393,987 S 5/1998 Molo

D461,380 S 8/2002 Law

D509,114 S 9/2005 McGuyer

D509,710 S 9/2005 Lee

D594,292 S 6/2009 Eide

\* cited by examiner

*Primary Examiner* — Terry Wallace

(74) *Attorney, Agent, or Firm* — Stephen D. Carver

(57) **CLAIM**

The ornamental design for a “single disc meat tenderizer,” as shown and described.

**DESCRIPTION**

FIG. 1 is a frontal isometric view my “single disc meat tenderizer” showing my new design;

FIG. 2 is a left side elevational view thereof;

FIG. 3 is a right side elevational view thereof;

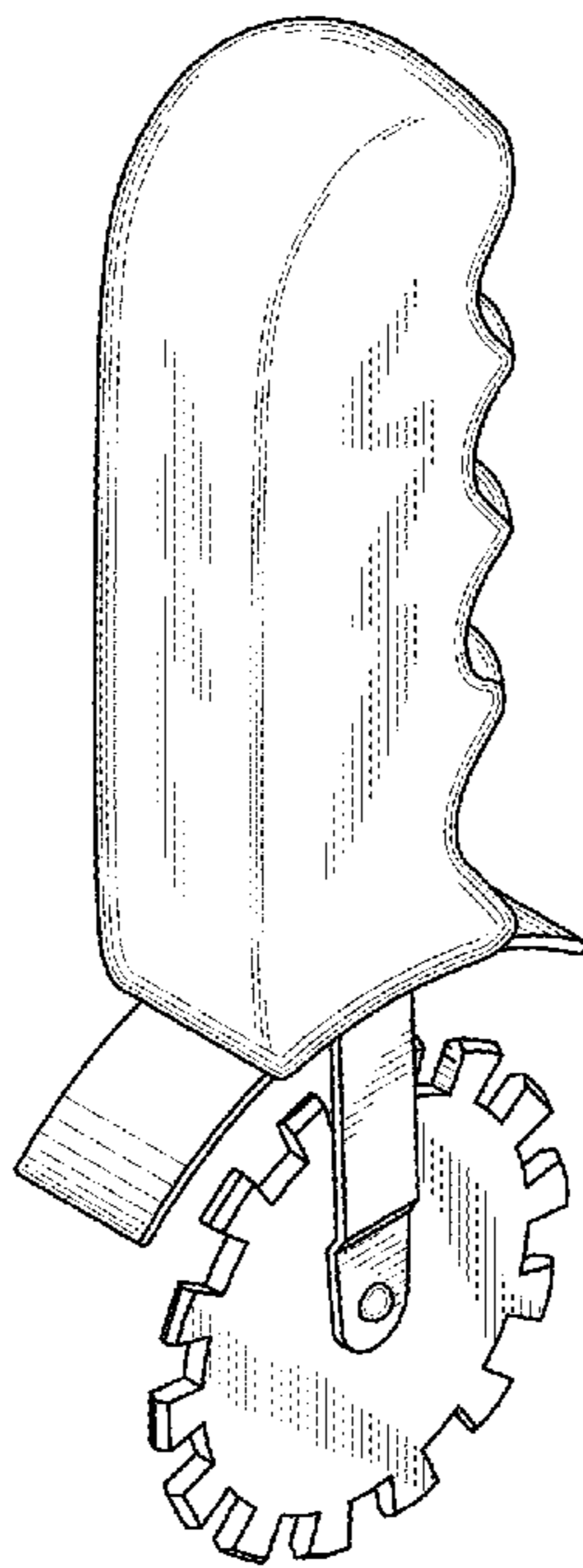
FIG. 4 is a front plan view thereof;

FIG. 5 is a rear plan view thereof;

FIG. 6 is a top plan view thereof; and,

FIG. 7 is a bottom plan view thereof.

**1 Claim, 4 Drawing Sheets**



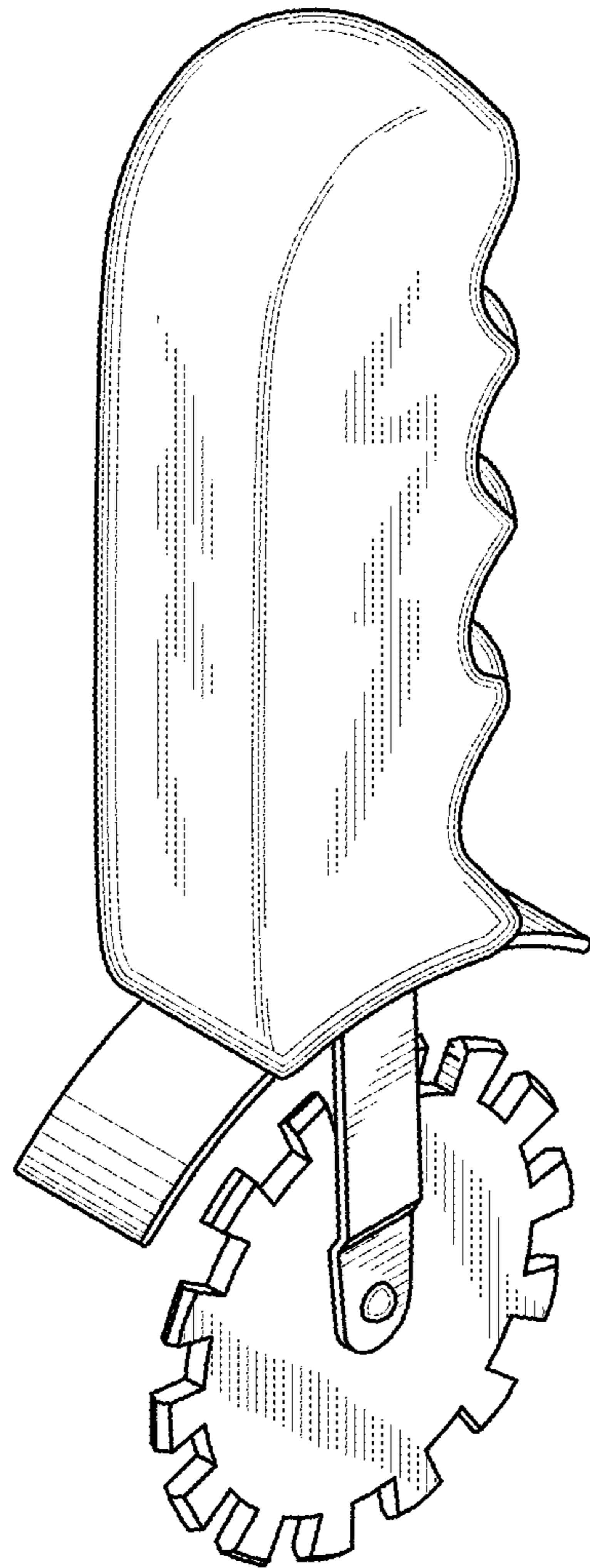


FIG. 1

FIG. 2

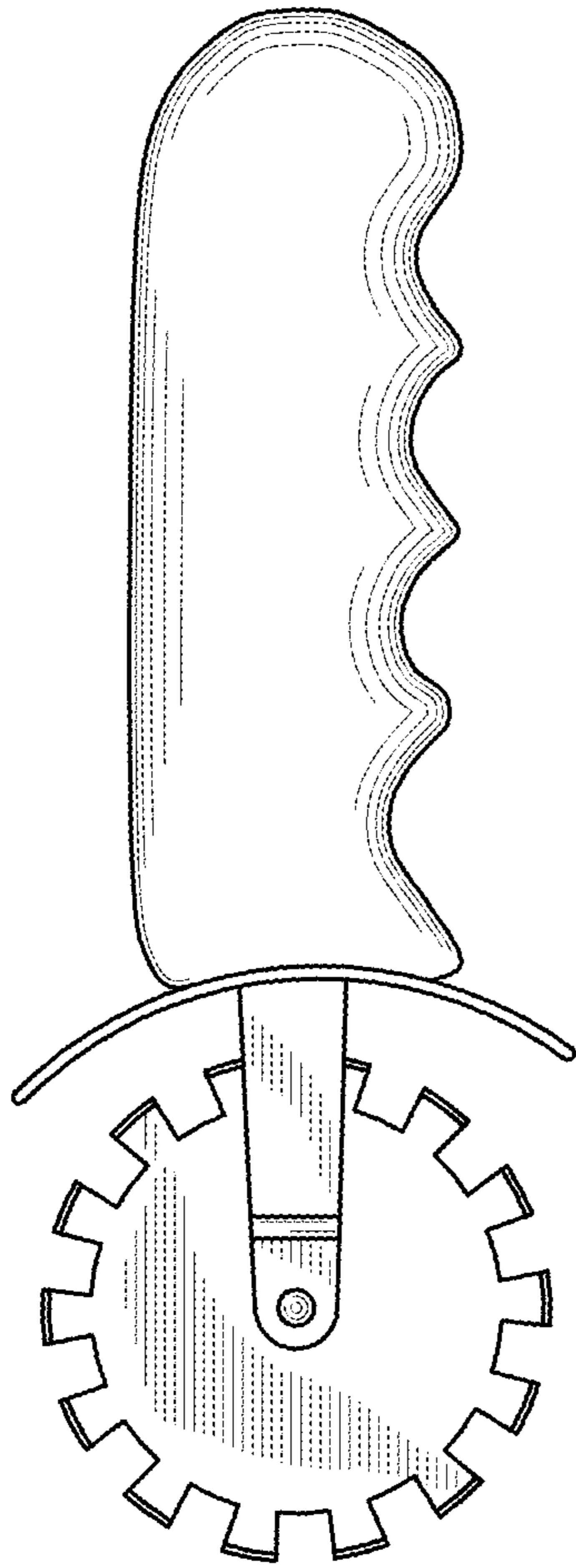


FIG. 3

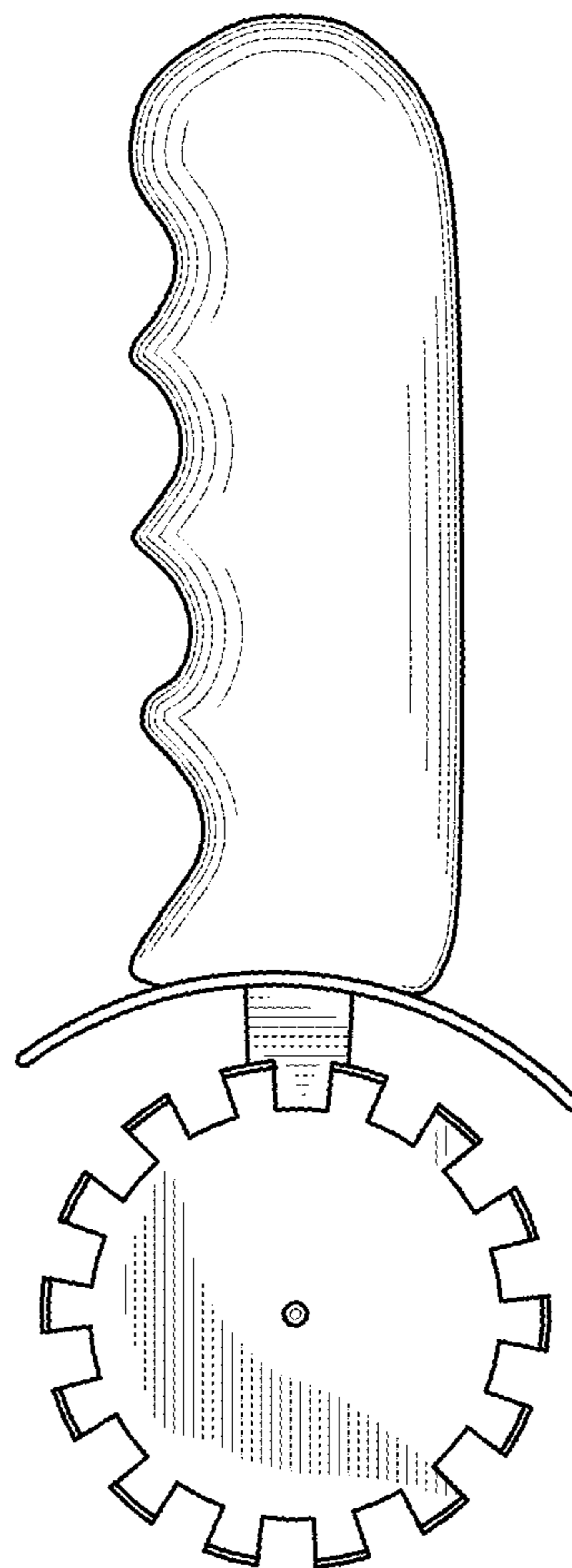


FIG. 4

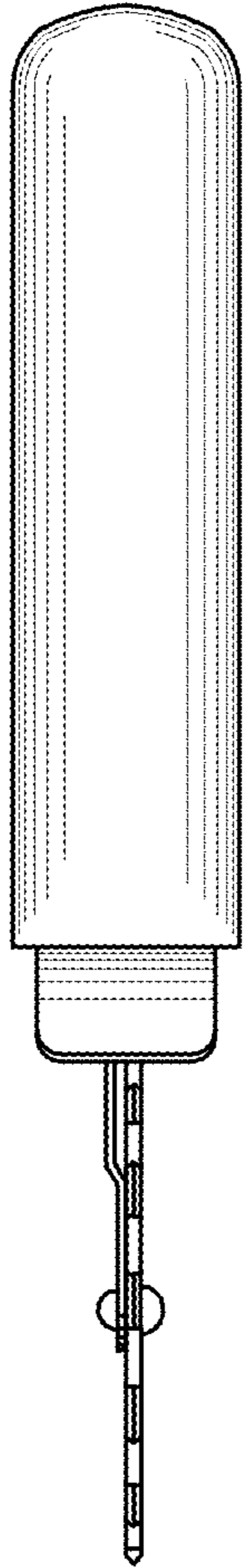


FIG. 5

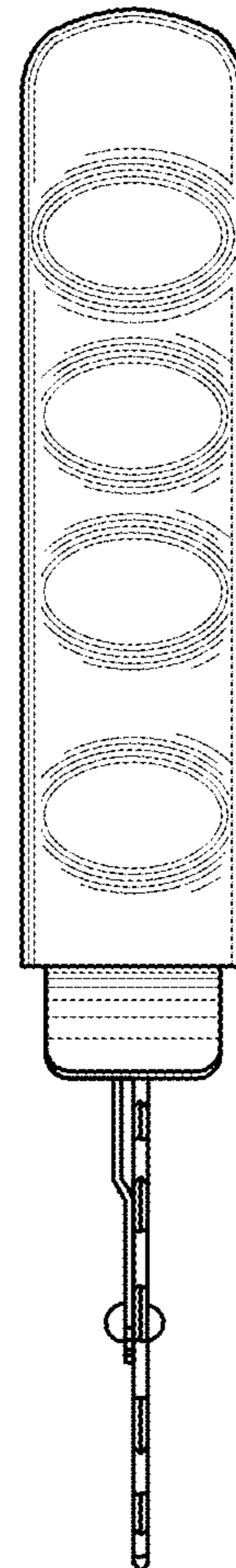


FIG. 6

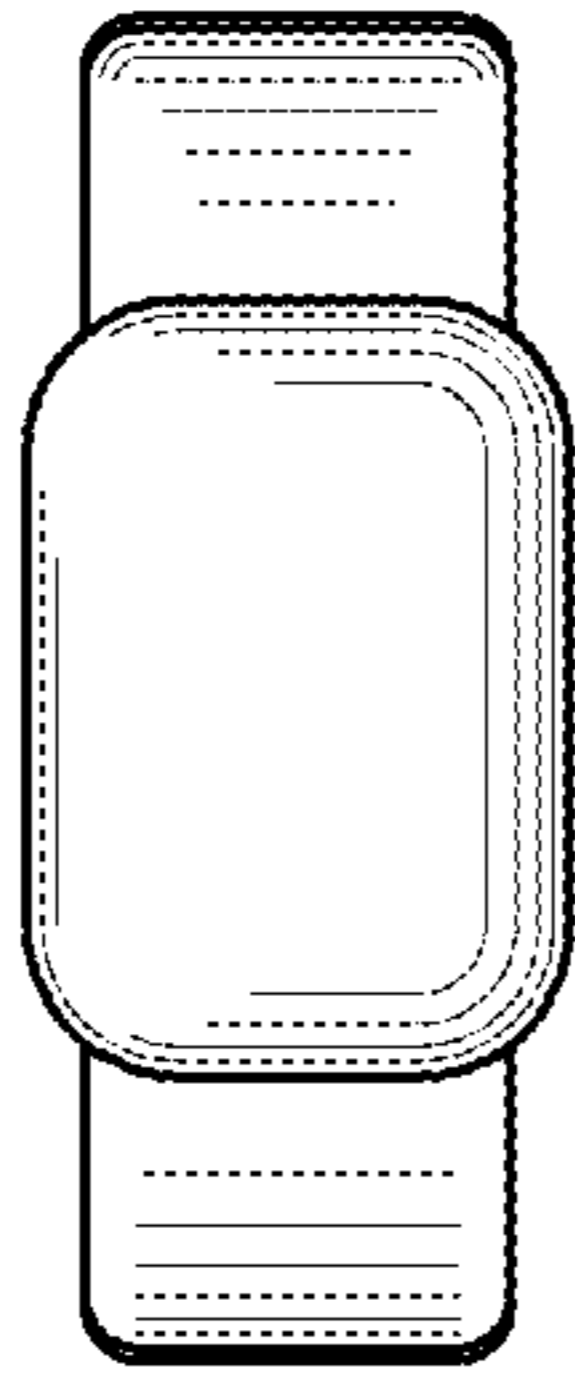


FIG. 7

