



US00D780536S

(12) **United States Design Patent**
Wong

(10) **Patent No.:** **US D780,536 S**
(45) **Date of Patent:** **** Mar. 7, 2017**

(54) **DRUM GRATER**

(71) Applicant: **Yan Kwong Wong**, Hong Kong (HK)

(72) Inventor: **Yan Kwong Wong**, Hong Kong (HK)

(**) Term: **15 Years**

(21) Appl. No.: **29/548,196**

(22) Filed: **Dec. 11, 2015**

(30) **Foreign Application Priority Data**

Jun. 12, 2015 (HK) 1501243.2

(51) **LOC (10) Cl.** **07-04**

(52) **U.S. Cl.**
USPC **D7/678; D7/381; D7/384**

(58) **Field of Classification Search**
USPC D7/678, 672-675, 381-385, 372-374
CPC A47J 43/25; A47J 43/255
See application file for complete search history.

(56) **References Cited**

U.S. PATENT DOCUMENTS

D215,390 S * 9/1969 McGee D7/383
D261,472 S * 10/1981 Graham D7/383

D493,074 S * 7/2004 Brousseau D7/678
D543,774 S * 6/2007 Rohrer D7/381
7,337,997 B2 * 3/2008 Ko A47J 43/255
241/168
D641,597 S * 7/2011 Tang D7/678

* cited by examiner

Primary Examiner — Terry Wallace

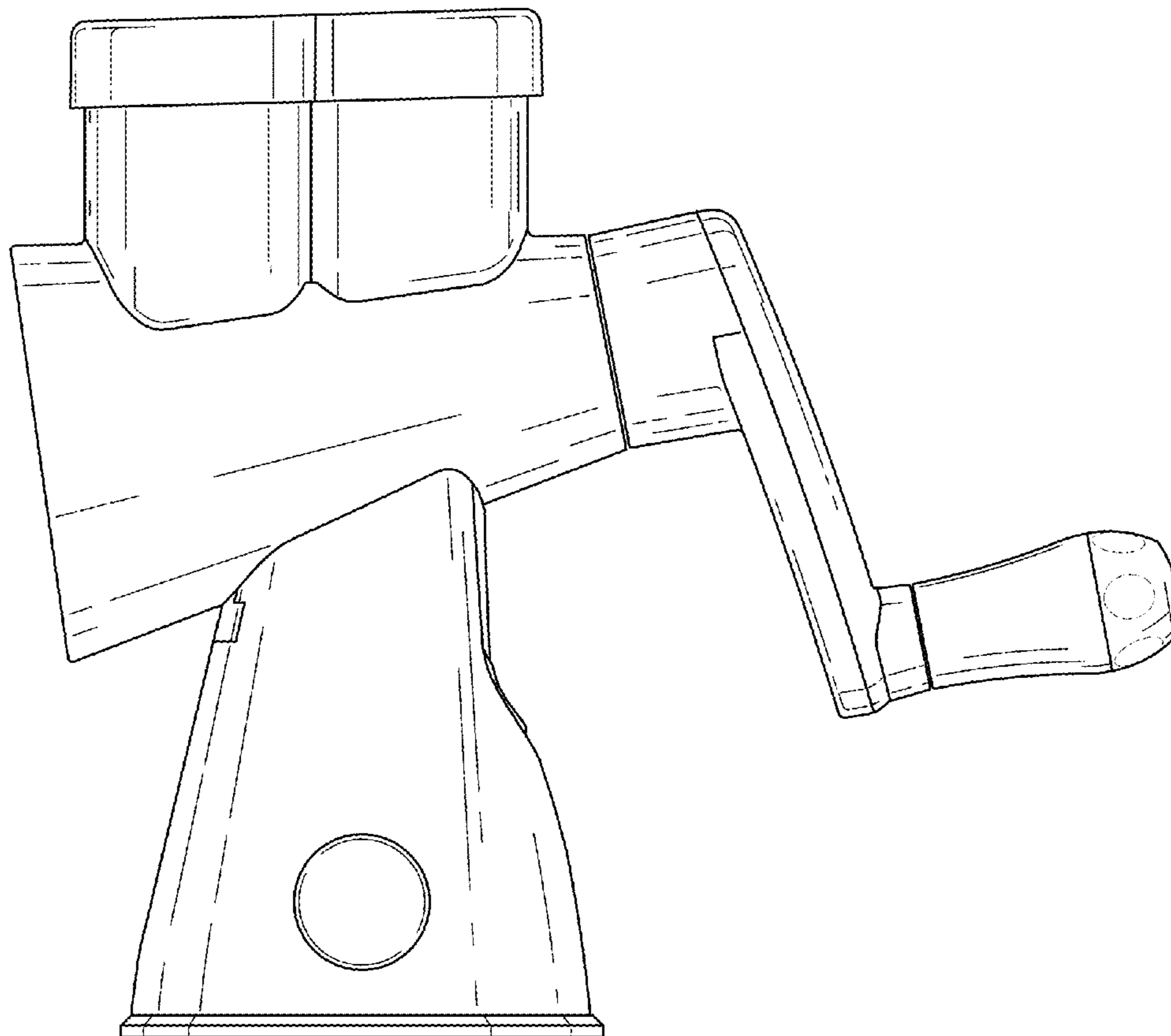
(57) **CLAIM**

The ornamental design for a drum grater, as shown and described.

DESCRIPTION

FIG. 1 is a front elevational view of a drum grater showing my new design;
FIG. 2 is a rear elevational view thereof;
FIG. 3 is a left side view thereof;
FIG. 4 is a right side view thereof;
FIG. 5 is a top plan view thereof;
FIG. 6 is a bottom plan view thereof;
FIG. 7 is a first perspective view thereof; and,
FIG. 8 is a second perspective view thereof.
The broken lines are for illustrative purposes only and form no part of the claimed design.

1 Claim, 8 Drawing Sheets



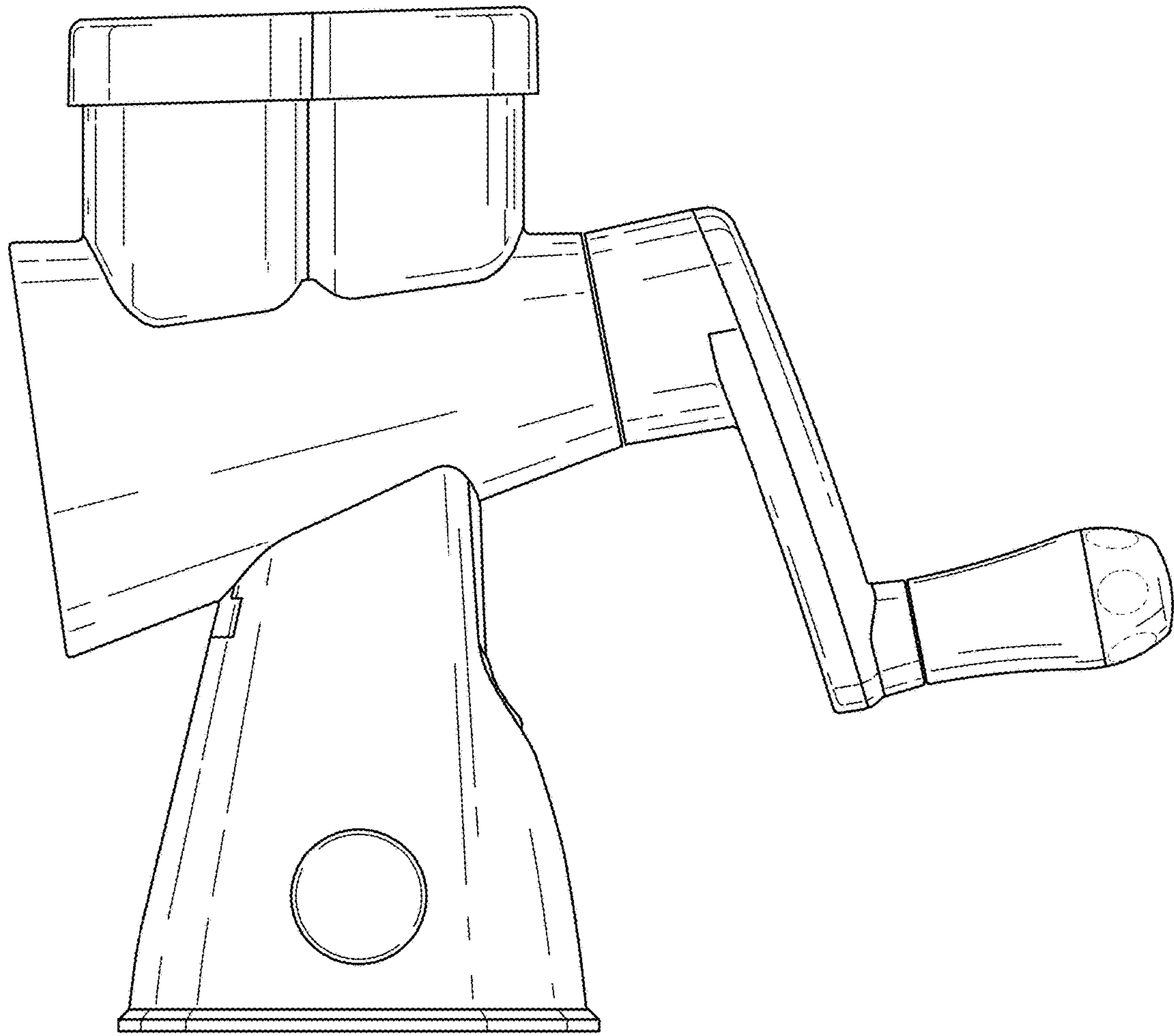


Fig. 1

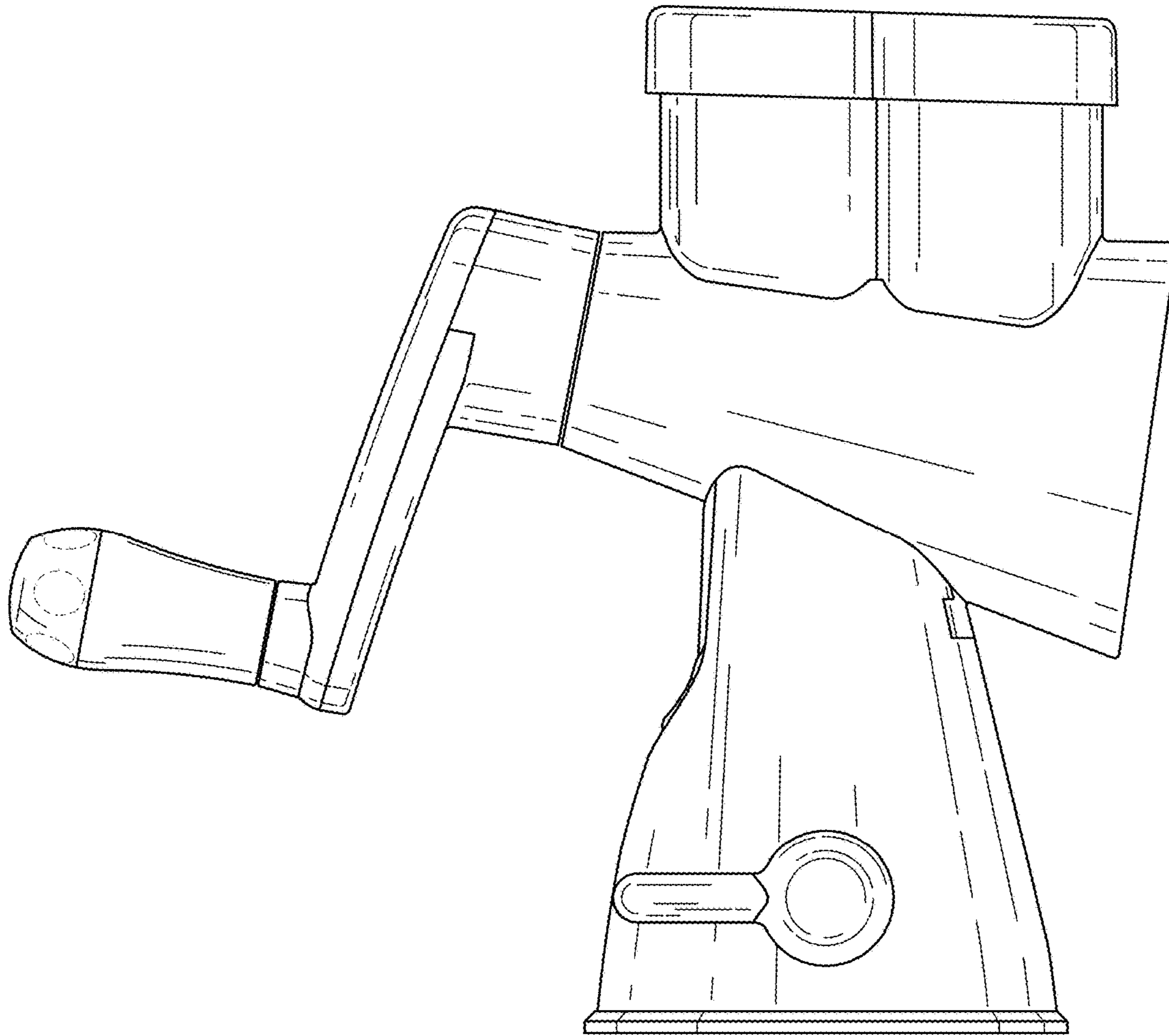


Fig. 2

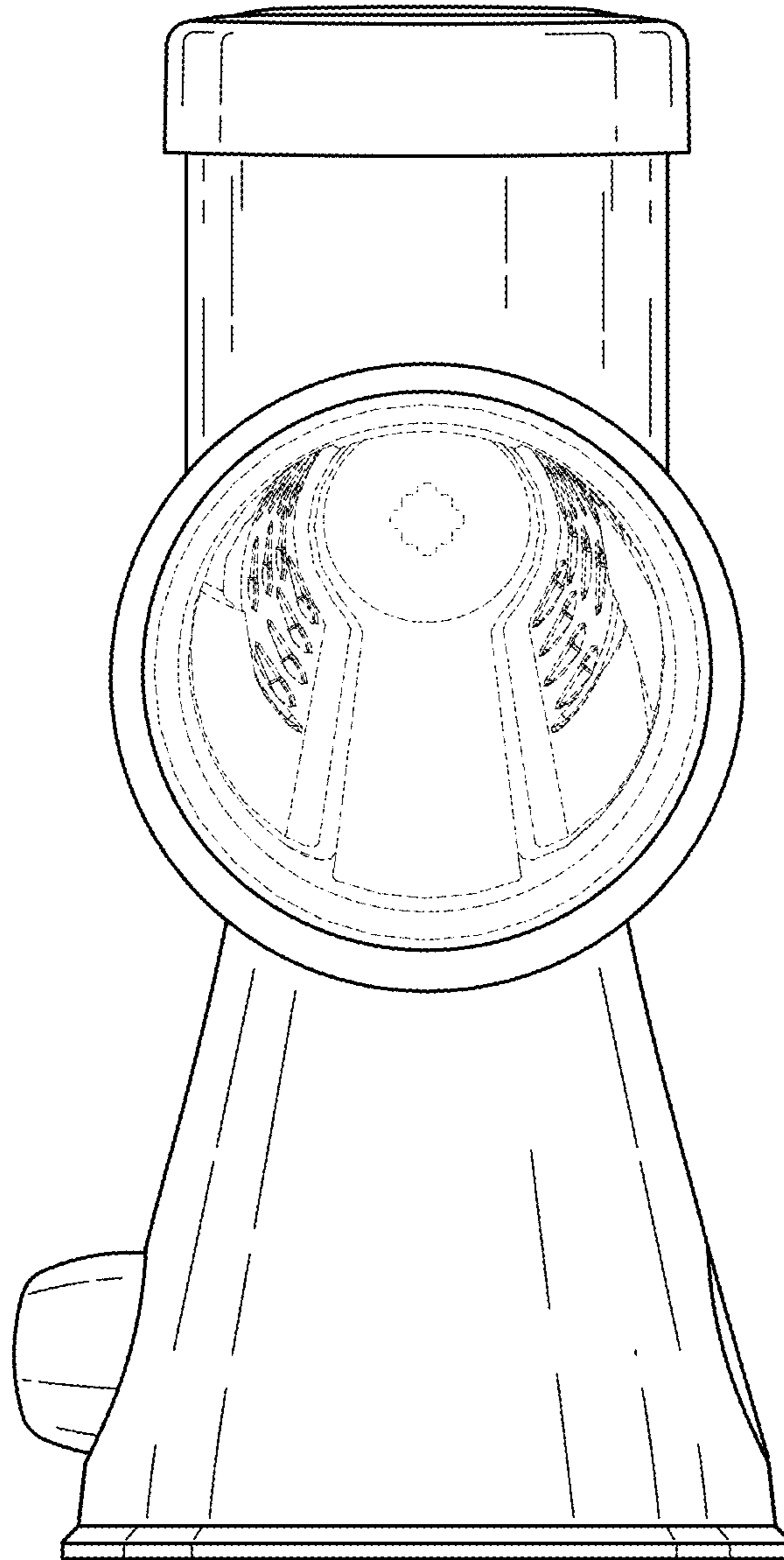


Fig. 3

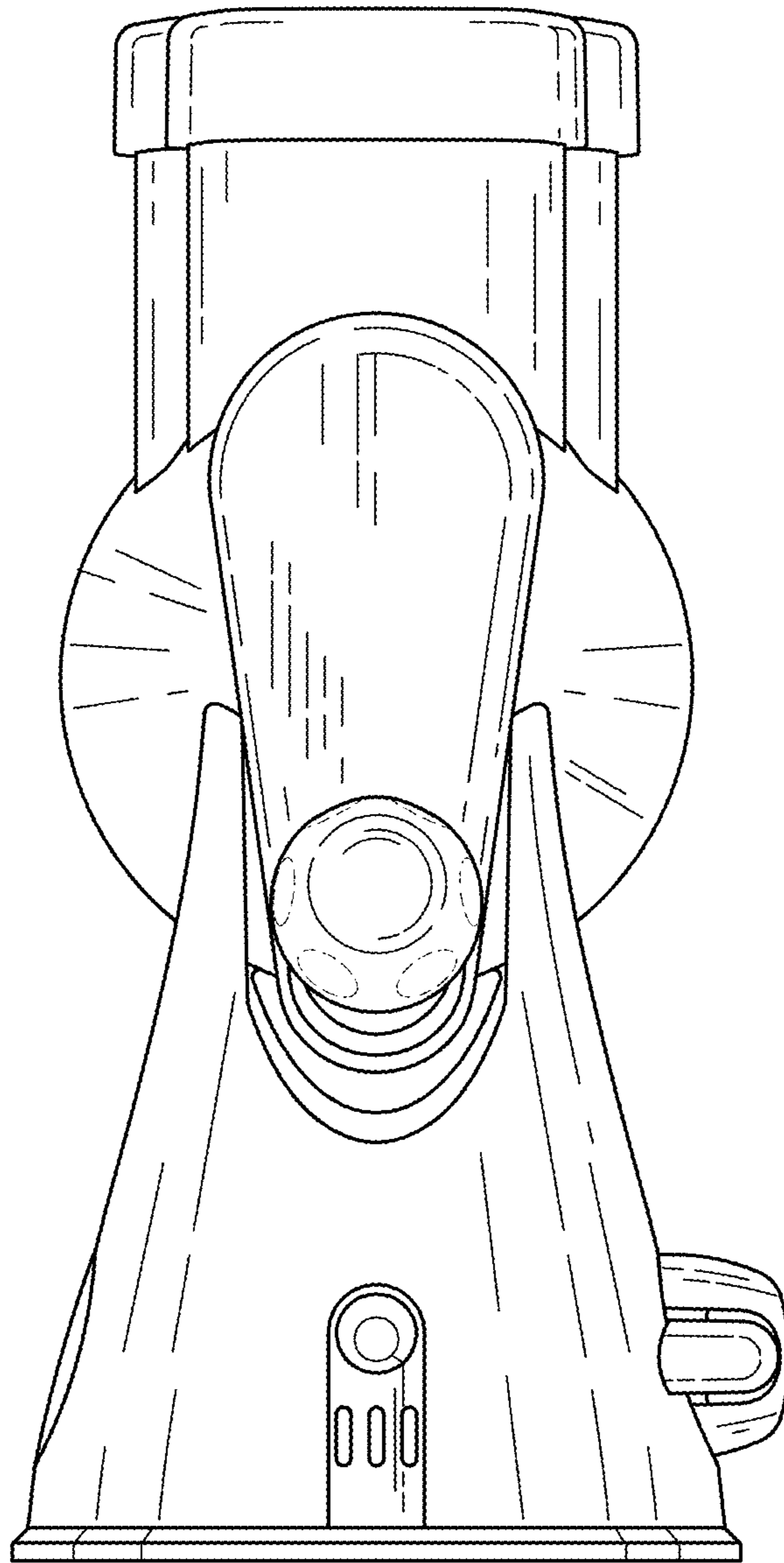


Fig. 4

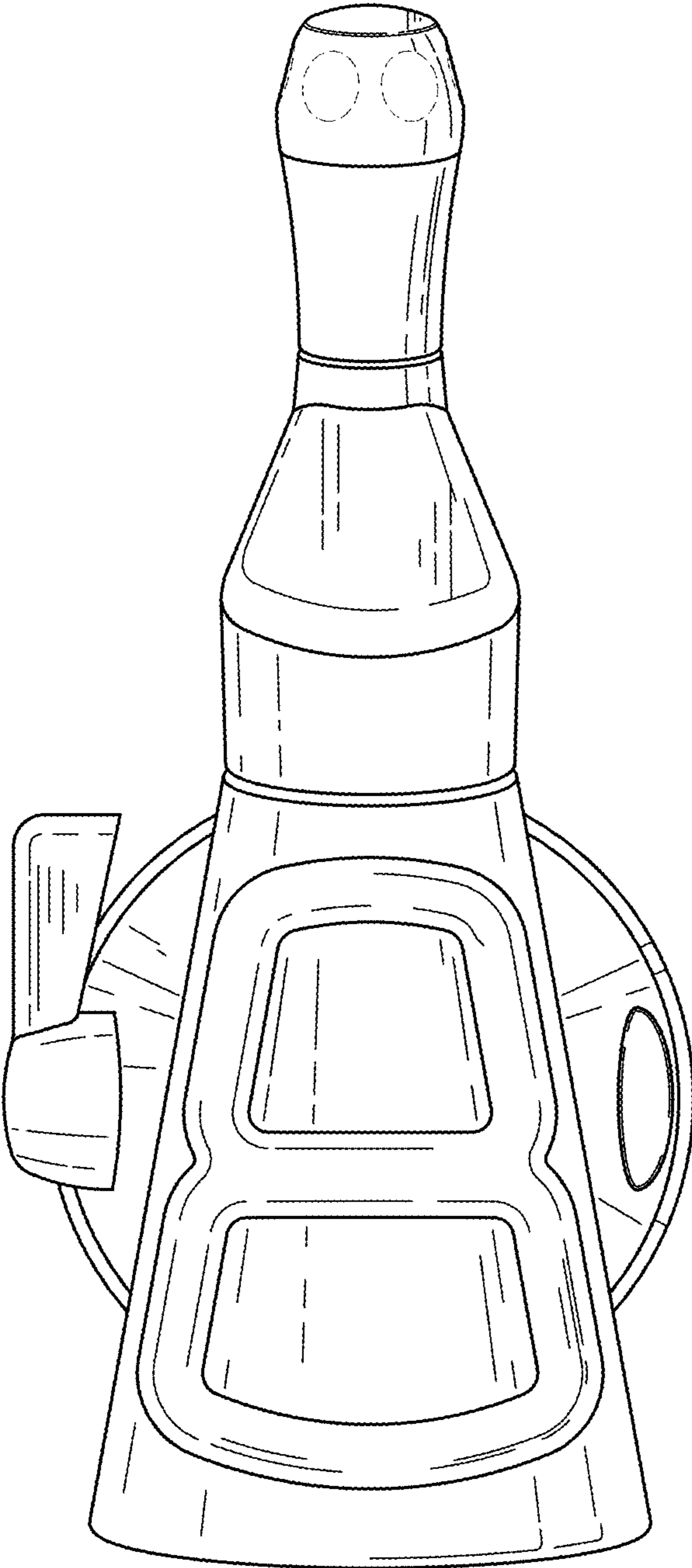


Fig. 5

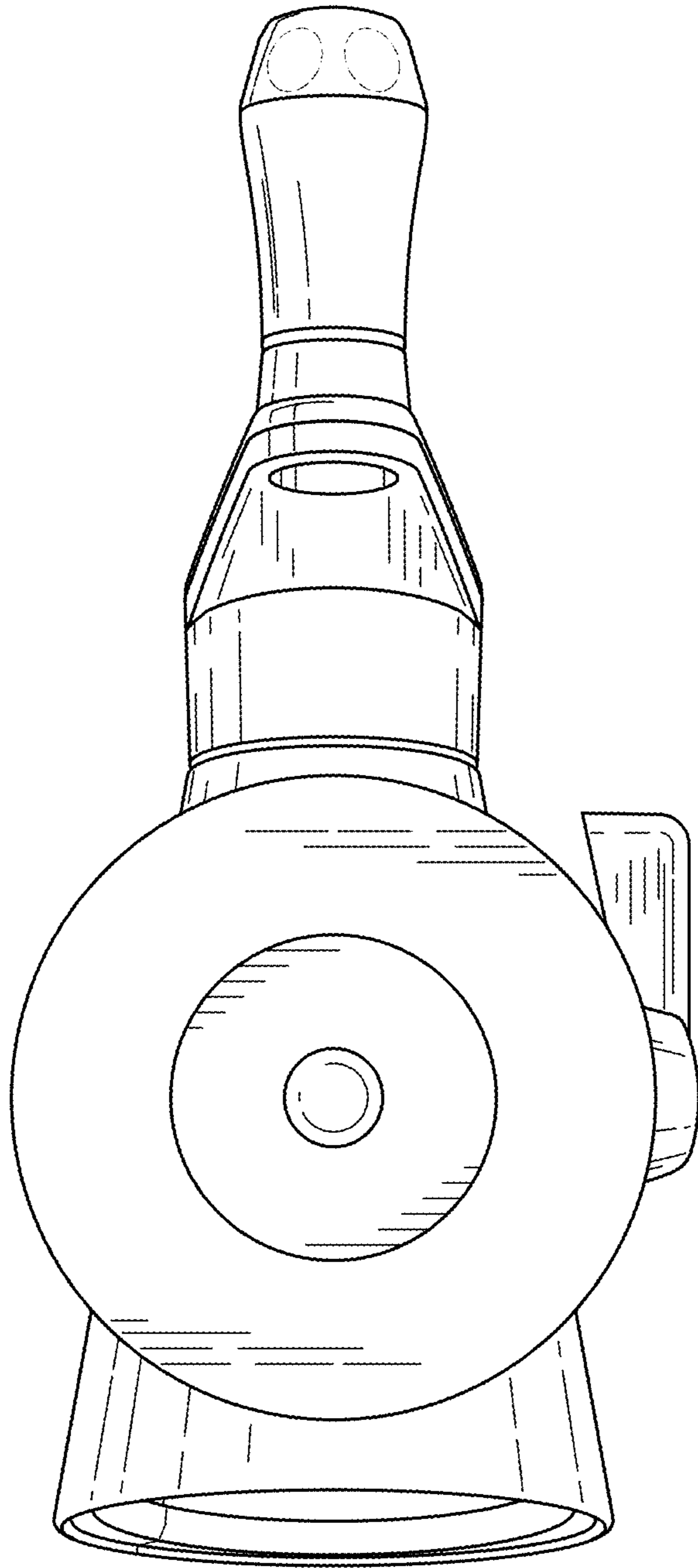


Fig. 6

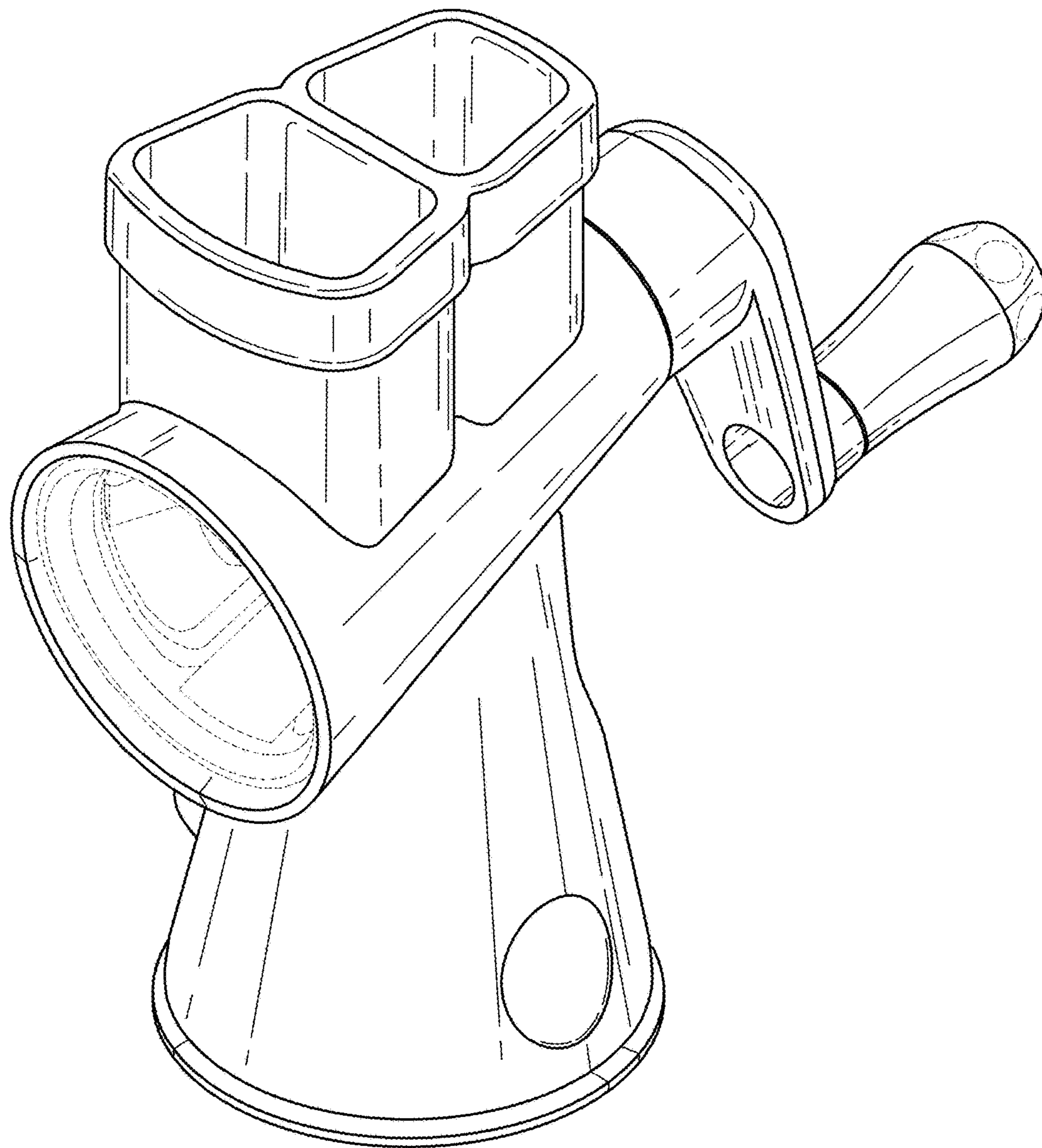


Fig. 7

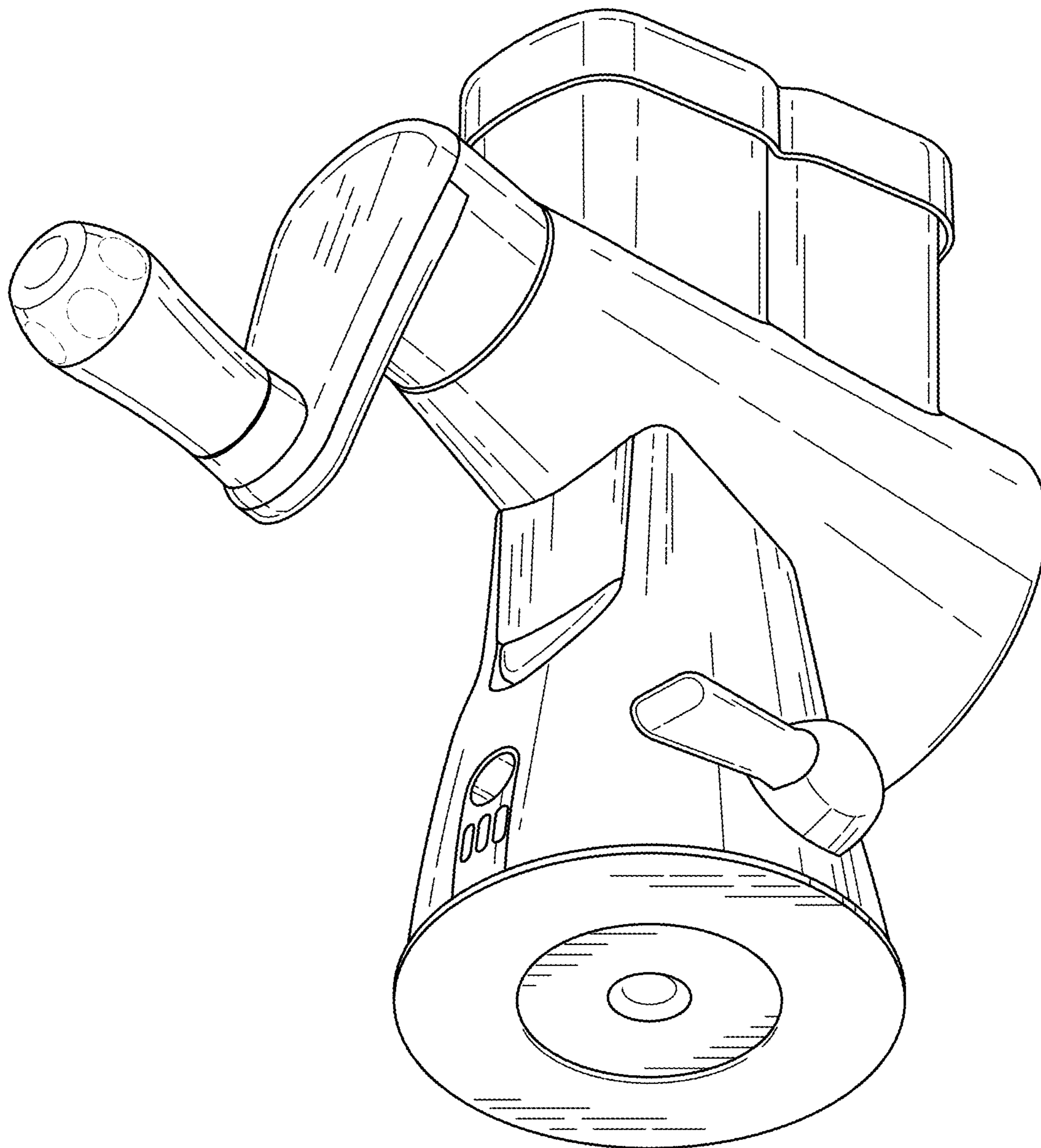


Fig. 8