



US00D780534S

(12) **United States Design Patent**
Oliver

(10) **Patent No.:** **US D780,534 S**

(45) **Date of Patent:** **** Mar. 7, 2017**

(54) **CONTAINER FOR SANDWICH INGREDIENT**

(71) Applicant: **Jesse Oliver**, Texas City, TX (US)

(72) Inventor: **Jesse Oliver**, Texas City, TX (US)

(**) Term: **15 Years**

(21) Appl. No.: **29/545,957**

(22) Filed: **Nov. 17, 2015**

(51) **LOC (10) Cl.** **07-01**

(52) **U.S. Cl.**

USPC **D7/629**

(58) **Field of Classification Search**

USPC D7/629, 550.1, 551.1, 552.1, 552.2,
D7/553.1, 553.2, 553.3, 553.4, 553.5,
D7/553.7, 554.2, 555, 556, 601, 602, 603,
D7/604, 605, 606, 612, 613, 701, 705,
D7/706, 708, 323, 324, 326, 331, 332,
D7/337, 339, 340, 341, 346, 347, 350.1,
D7/350.3, 352, 354, 355, 356, 357, 360,
D7/362, 363, 364, 365, 366, 367, 672,
D7/630, 538-542, 584, 586, 587, 392.1,
D7/709, 609, 619.1, 622; D3/273, 201,
D3/206, 276, 283, 284, 302, 304-315;
D9/500, 501, 414, 424-432; D6/512,
D6/513, 524-525, 552, 567; D32/37
CPC A47J 36/24; A47J 36/26; A47J 36/2405;
A47J 36/00; A47J 36/12; A47J 39/00;
A47J 39/02; A47J 27/004; A47J 27/18;
A47J 27/14; A47J 27/06; F24C 7/006;
B65D 7/00; B65D 7/02; B65D 7/12;
B65D 7/42; B65D 11/00; B65D 11/02;
B65D 15/00; B65D 15/02; B65D 15/22;
B65D 15/24; B65D 15/10; B65D 15/14;
B65D 21/00; B65D 21/02; B65D 21/08;
B65D 21/0209; B65D 21/0233; B65D
21/0234; B65D 2543/00; B65D
2543/00277; B65D 2543/00324; B65D

2543/00444; B65D 2588/00; B65D
2588/02; B65D 2588/16; B65D 2588/74;
B65D 43/162; B65D 81/02; B65D
81/3813

See application file for complete search history.

(56) **References Cited**

U.S. PATENT DOCUMENTS

D246,289 S * 11/1977 Boucher D7/542
4,300,700 A * 11/1981 Chang B65D 43/0204
220/212
5,445,276 A * 8/1995 Gordon A45C 11/20
206/545
5,704,485 A * 1/1998 Cautereels A45C 11/20
206/541
D408,282 S * 4/1999 McCann D9/423
D418,021 S * 12/1999 Terracciano D7/605

(Continued)

Primary Examiner — Ian Simmons

Assistant Examiner — Shannon Morgan

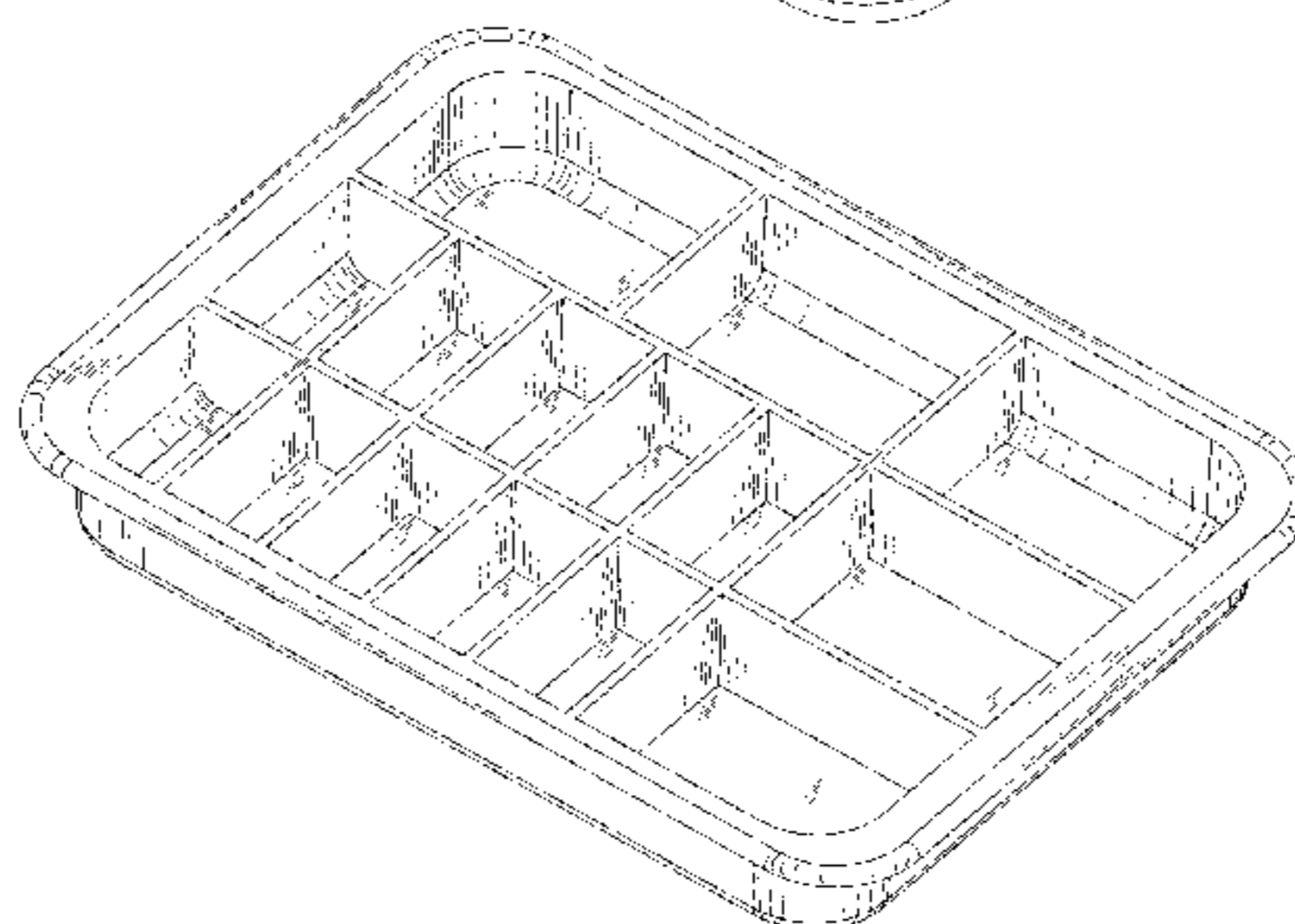
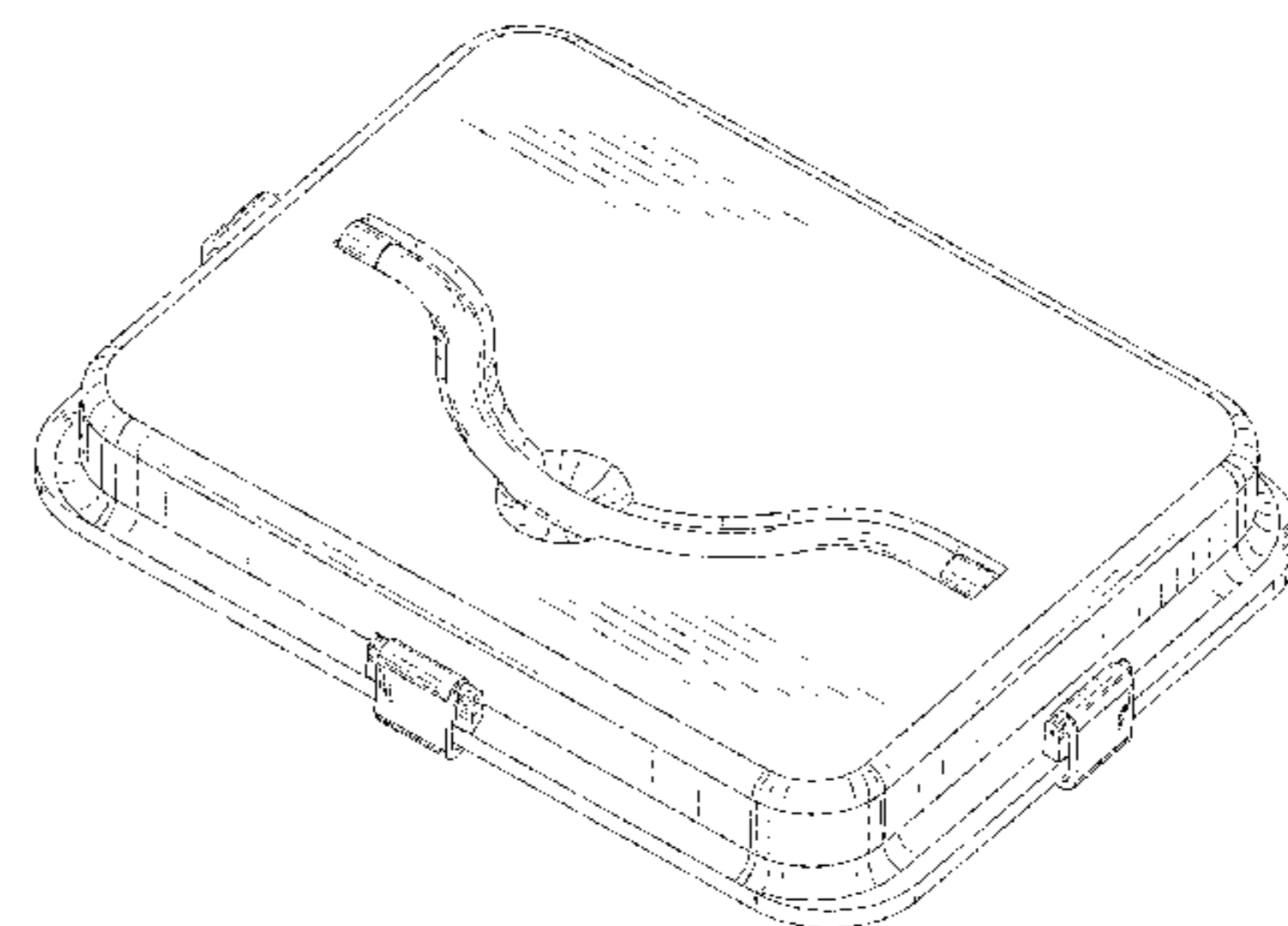
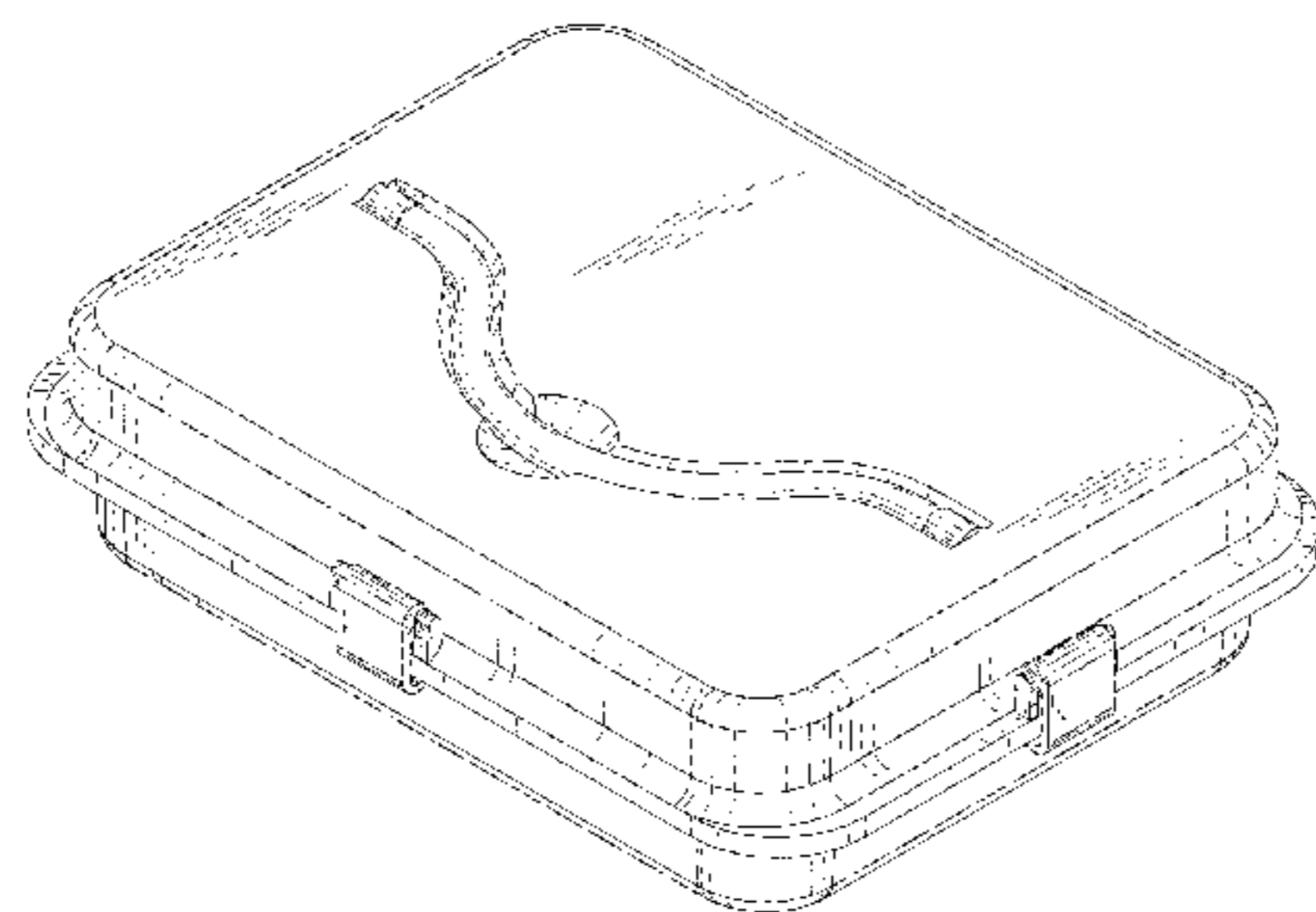
(57) **CLAIM**

The ornamental design for a container for sandwich ingre-
dient, as shown and described.

DESCRIPTION

FIG. 1 is a top perspective view of a container for sandwich
ingredient showing my new design;
FIG. 2 is a bottom perspective view thereof;
FIG. 3 is a front elevational view thereof, the rear view being
a mirror image;
FIG. 4 is a left side elevational view thereof;
FIG. 5 is a right side elevational view thereof;
FIG. 6 is a top plan view thereof;
FIG. 7 is a bottom plan view thereof;
FIG. 8 is an exploded top perspective view thereof; and,
FIG. 9 is an exploded bottom perspective view thereof.

1 Claim, 9 Drawing Sheets



(56)

References Cited

U.S. PATENT DOCUMENTS

D460,690	S	*	7/2002	Doerschlag	D3/203.2
D481,910	S	*	11/2003	Kim	D7/629
D483,622	S	*	12/2003	Kim	D7/629
D516,388	S	*	3/2006	Wells	D7/629
D525,120	S	*	7/2006	Maskell	D9/428
D562,083	S	*	2/2008	Lown	D7/629
D566,484	S	*	4/2008	George	D3/294
D567,032	S	*	4/2008	Gilbert	D7/629
D606,812	S	*	12/2009	Wu	D7/629
D610,878	S	*	3/2010	Kim	D7/629
D640,131	S	*	6/2011	Gibson	D9/426
D649,869	S	*	12/2011	Gibson	D9/421
D650,267	S	*	12/2011	Gibson	D9/420
D650,268	S	*	12/2011	Gibson	D9/420
D656,367	S	*	3/2012	Segal	D7/629
D660,092	S	*	5/2012	Kyung	D7/629
D660,095	S	*	5/2012	Kyung	D7/629
D665,674	S	*	8/2012	Wu	D7/629
D665,677	S	*	8/2012	Wu	D7/629
D666,878	S	*	9/2012	Siegel	D7/629
D673,848	S	*	1/2013	Bailey	D9/428
D682,052	S	*	5/2013	Thomas	D7/629
D692,281	S	*	10/2013	George	D7/629
D696,075	S	*	12/2013	Mashike	D7/605
D698,206	S	*	1/2014	Molayem	D7/629
D724,903	S	*	3/2015	Chen	D7/629
D749,845	S	*	2/2016	Tonelli	D3/276
D755,579	S	*	5/2016	Wu	D7/629
2008/0188365	A1	*	8/2008	Dalla Piazza	A47J 43/24 494/84
2014/0103033	A1	*	4/2014	Beckman	B65D 25/04 220/4.01

* cited by examiner

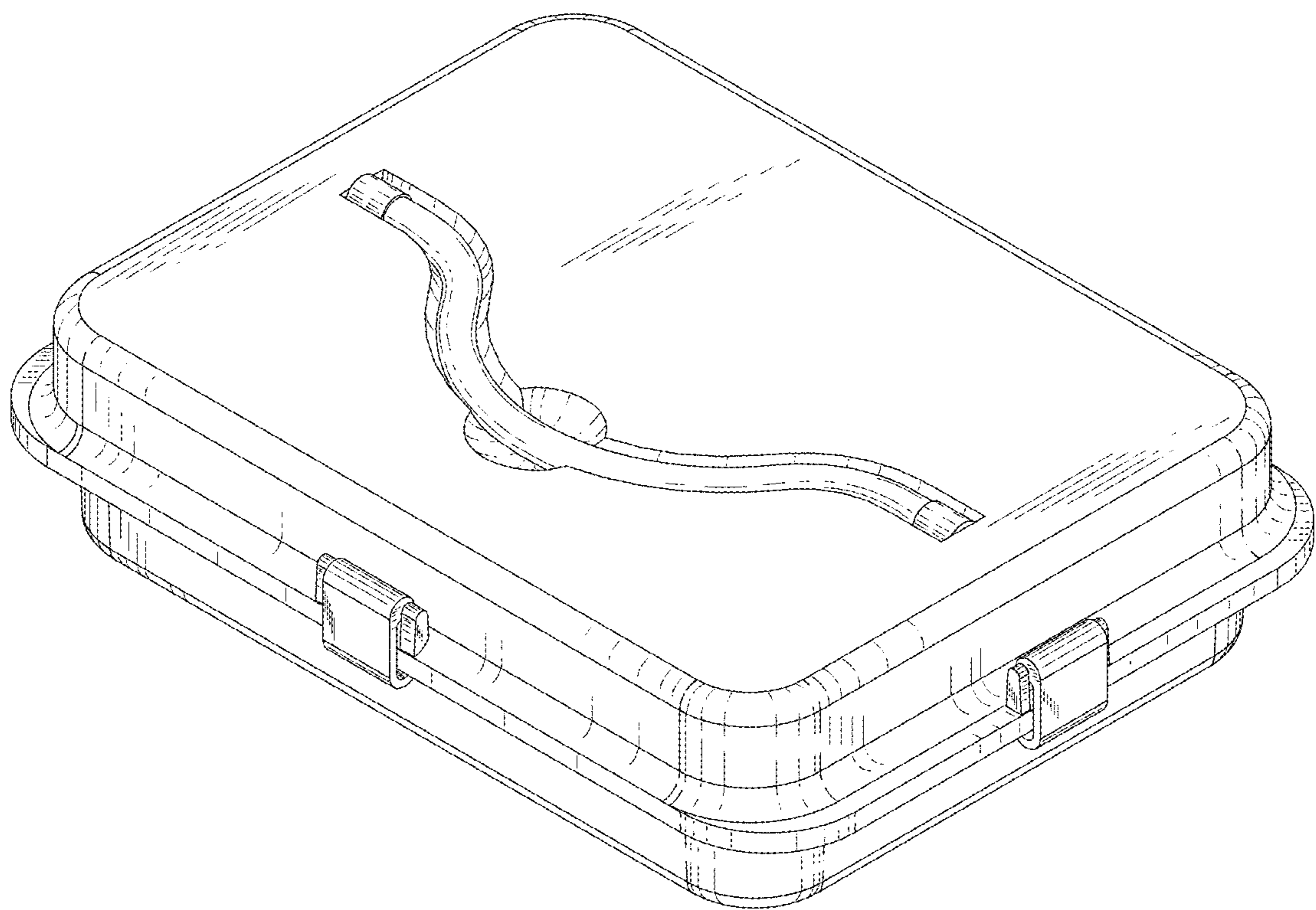


FIG. 1

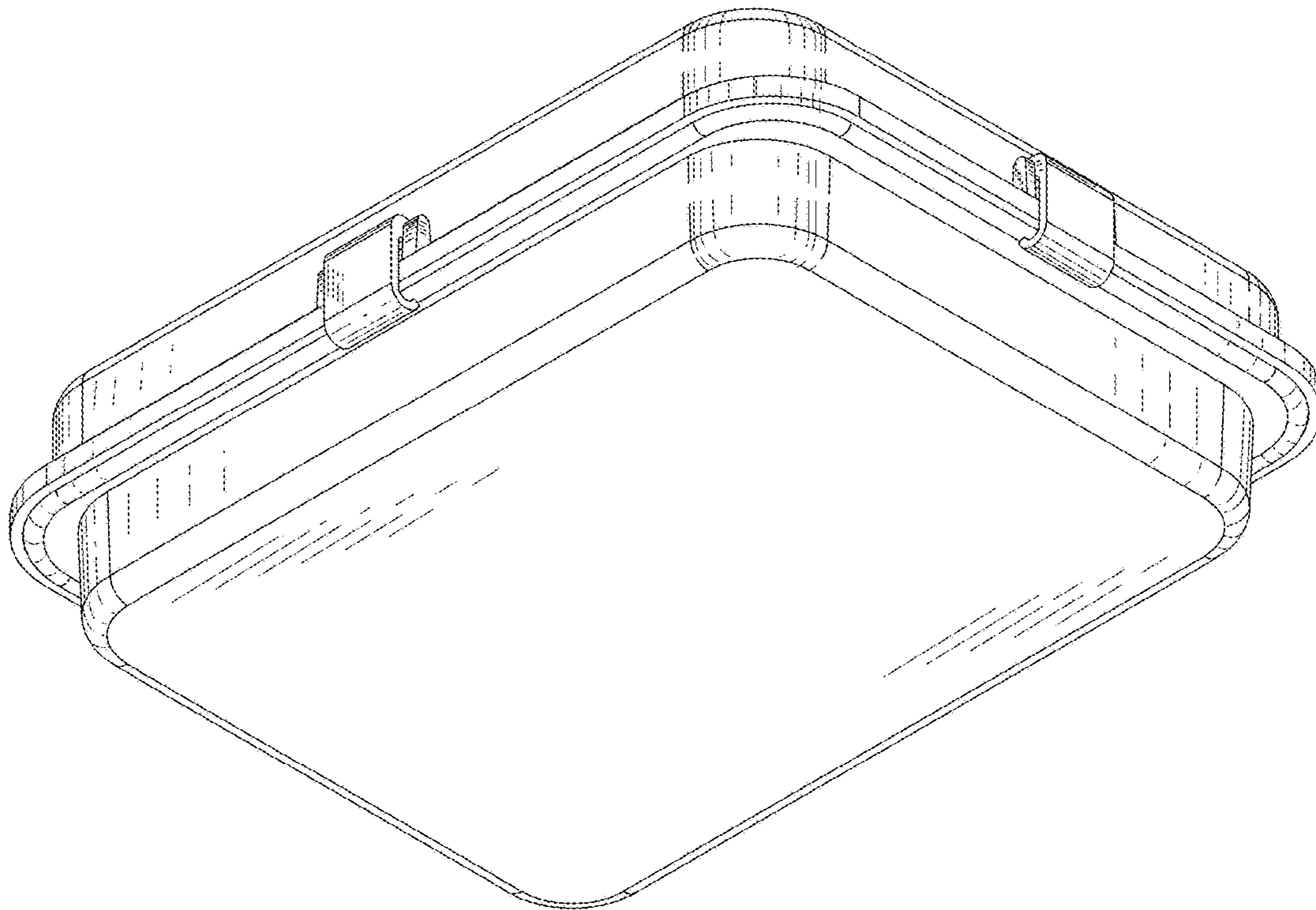


FIG. 2

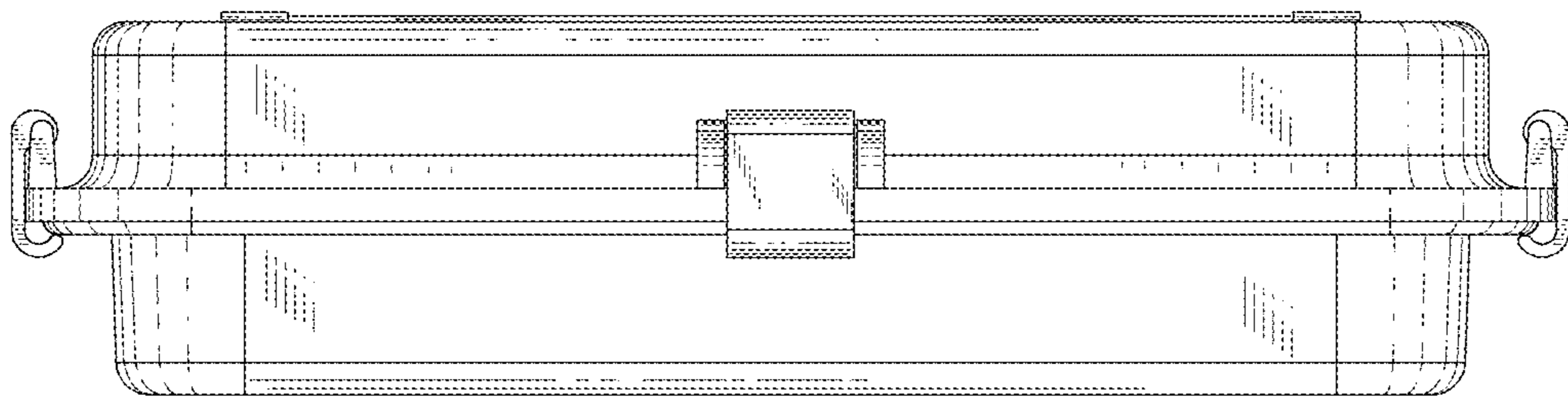


FIG. 3

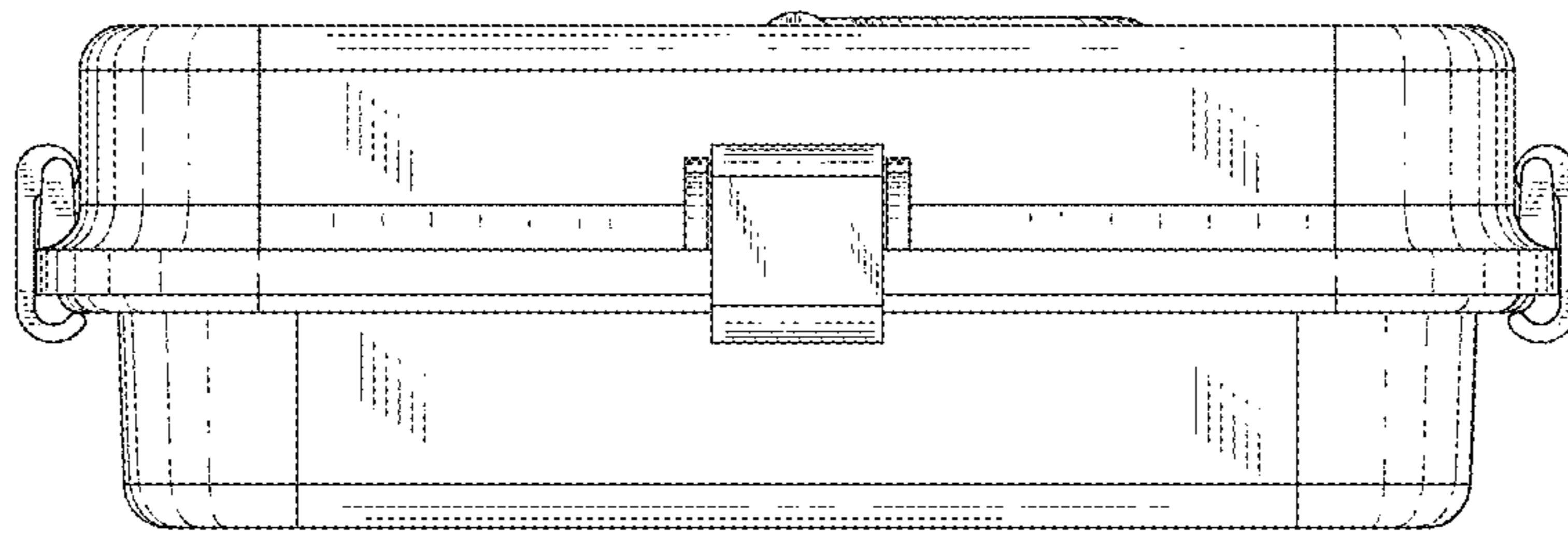


FIG. 4

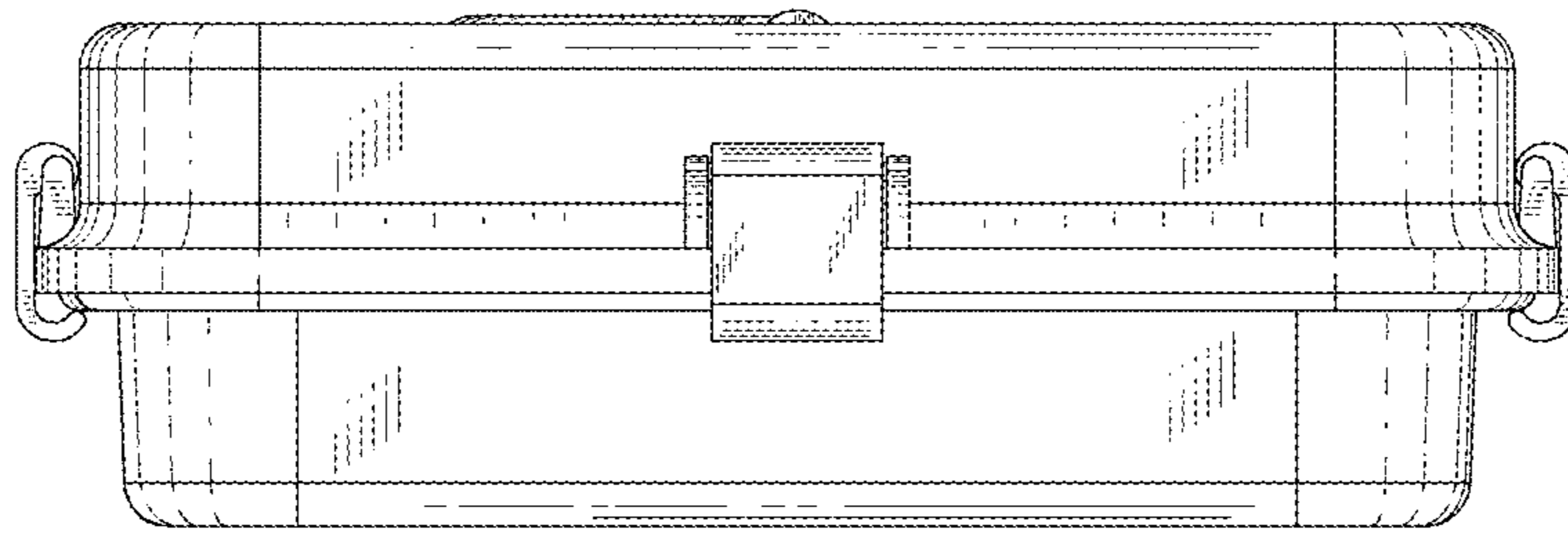


FIG. 5

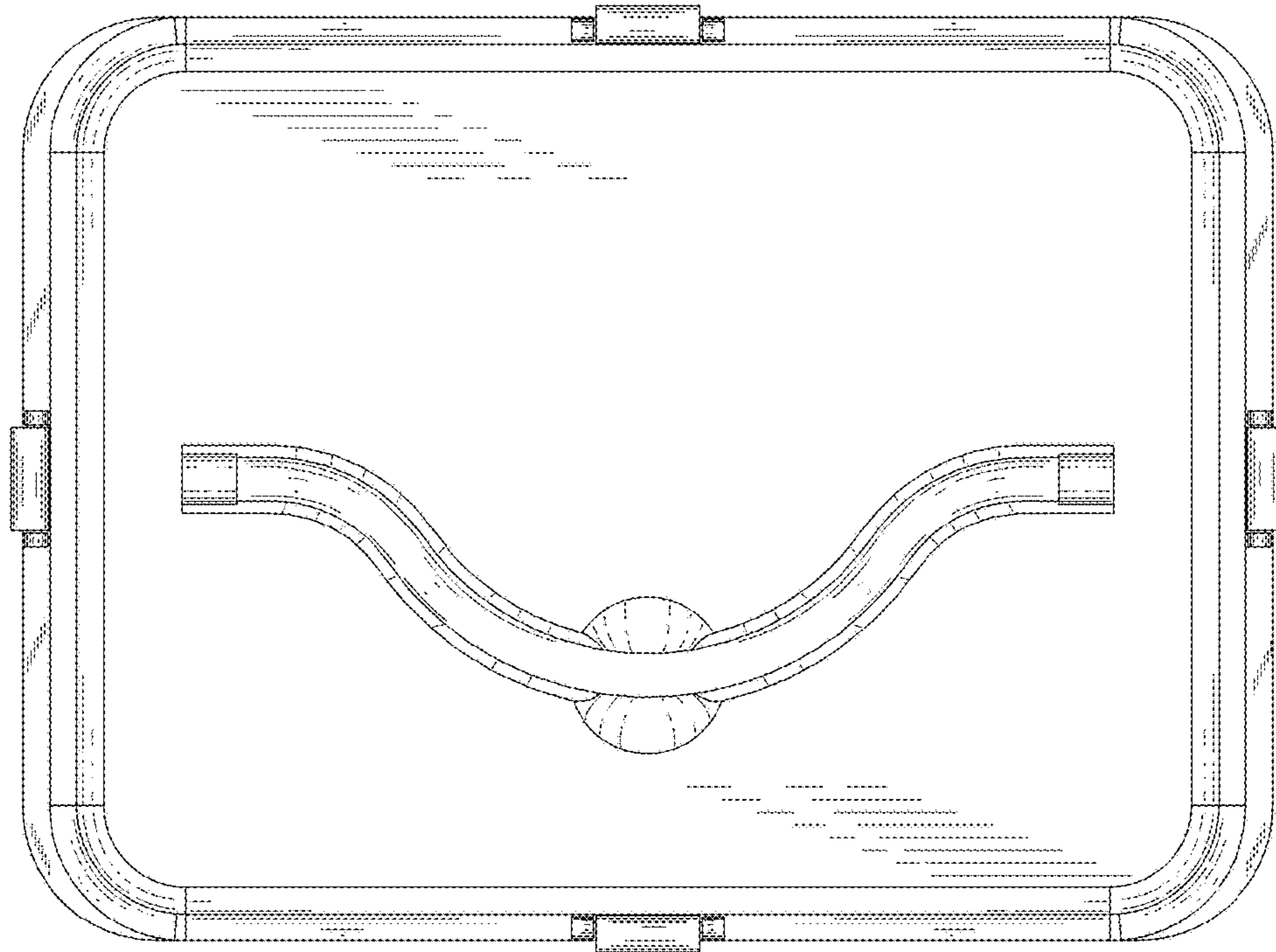


FIG. 6

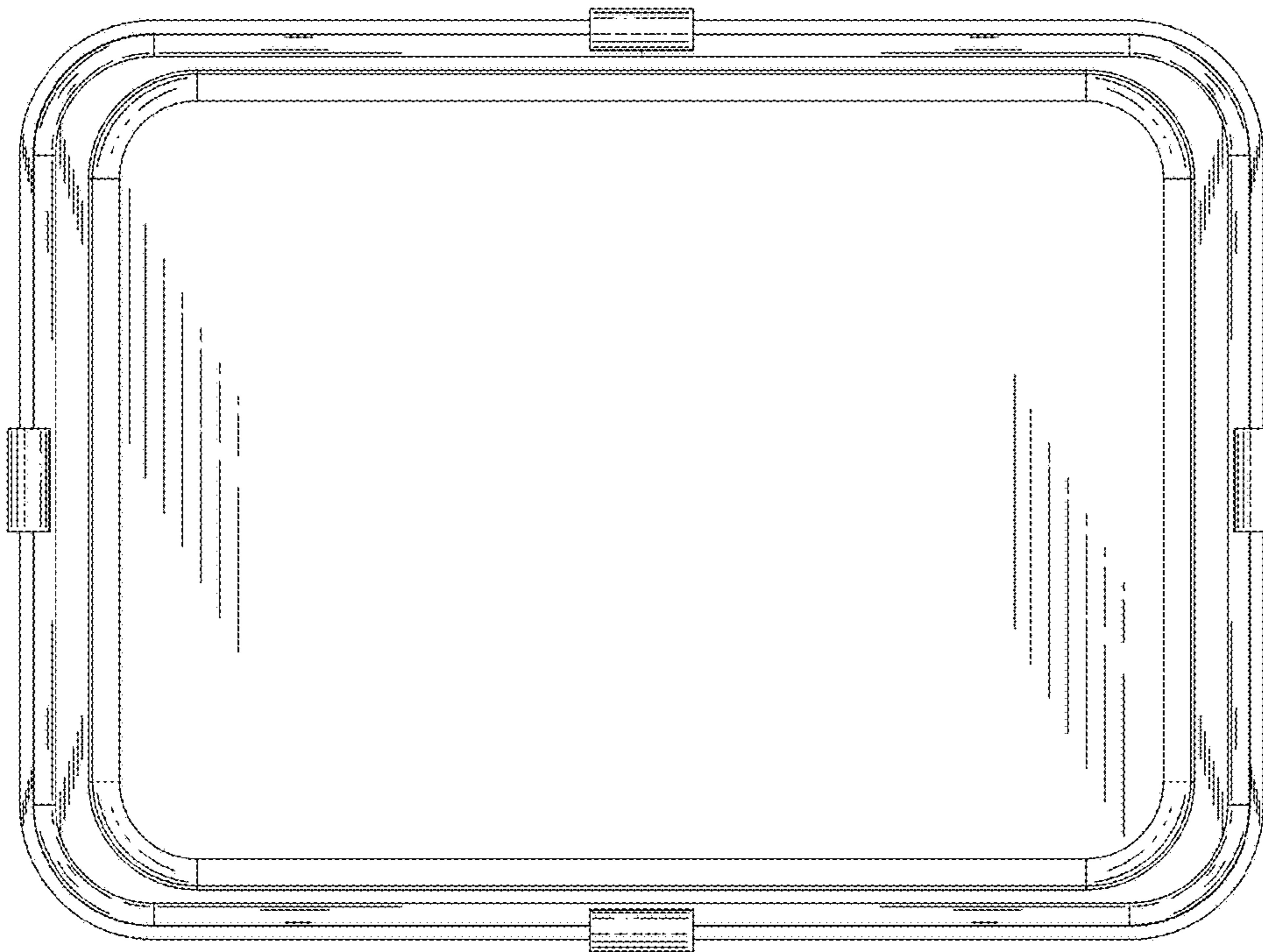


FIG. 7

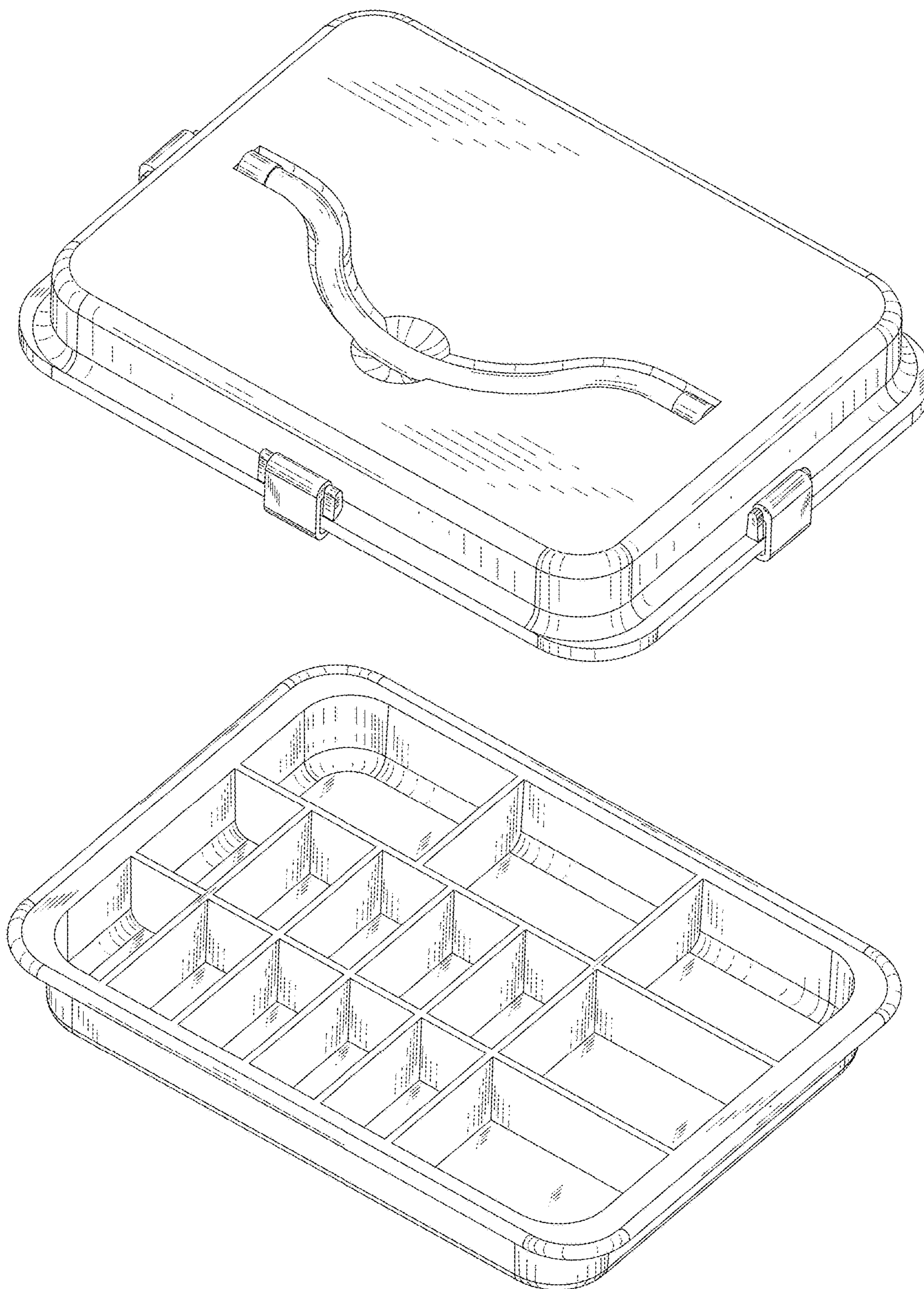


FIG. 8

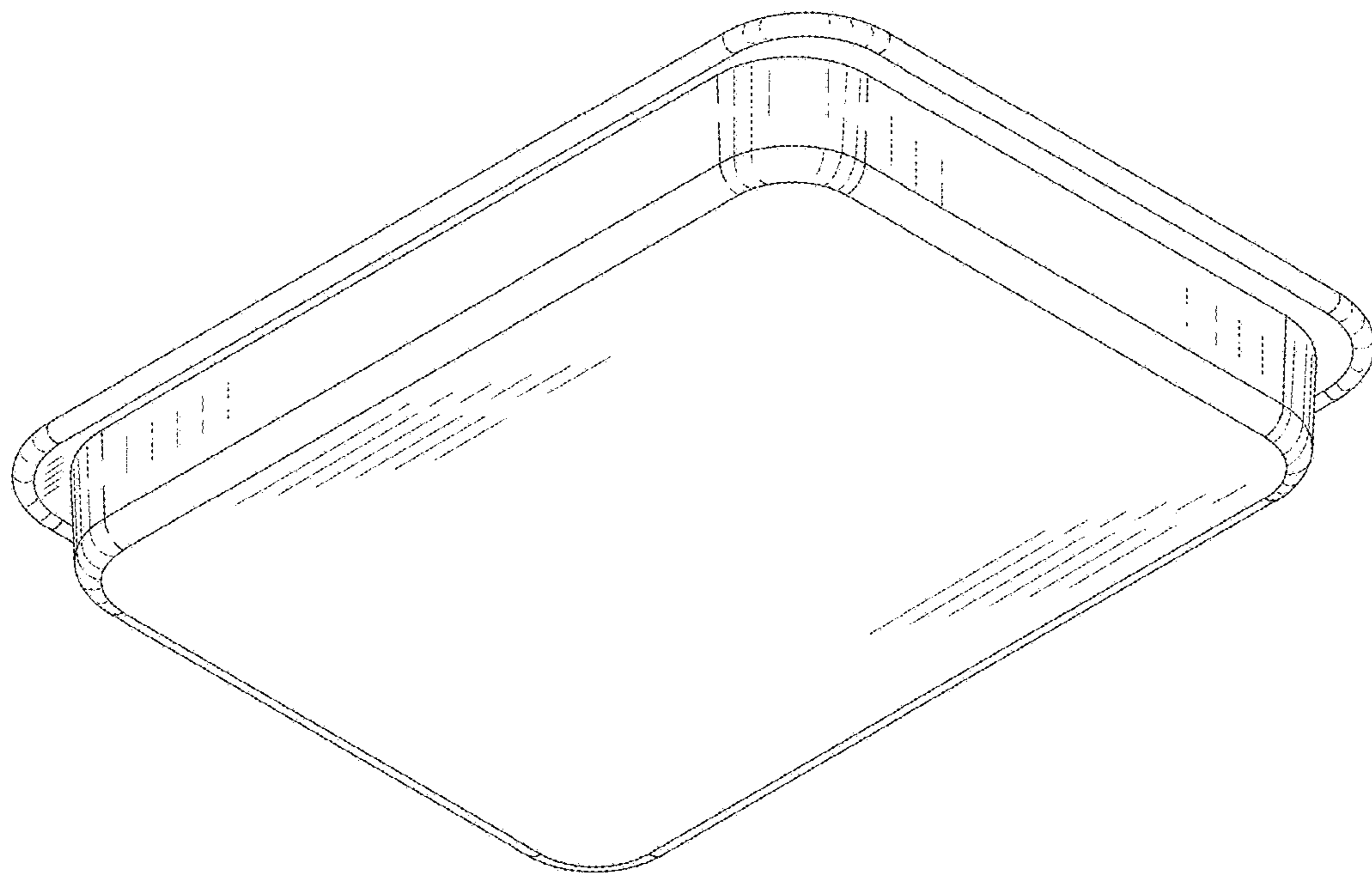
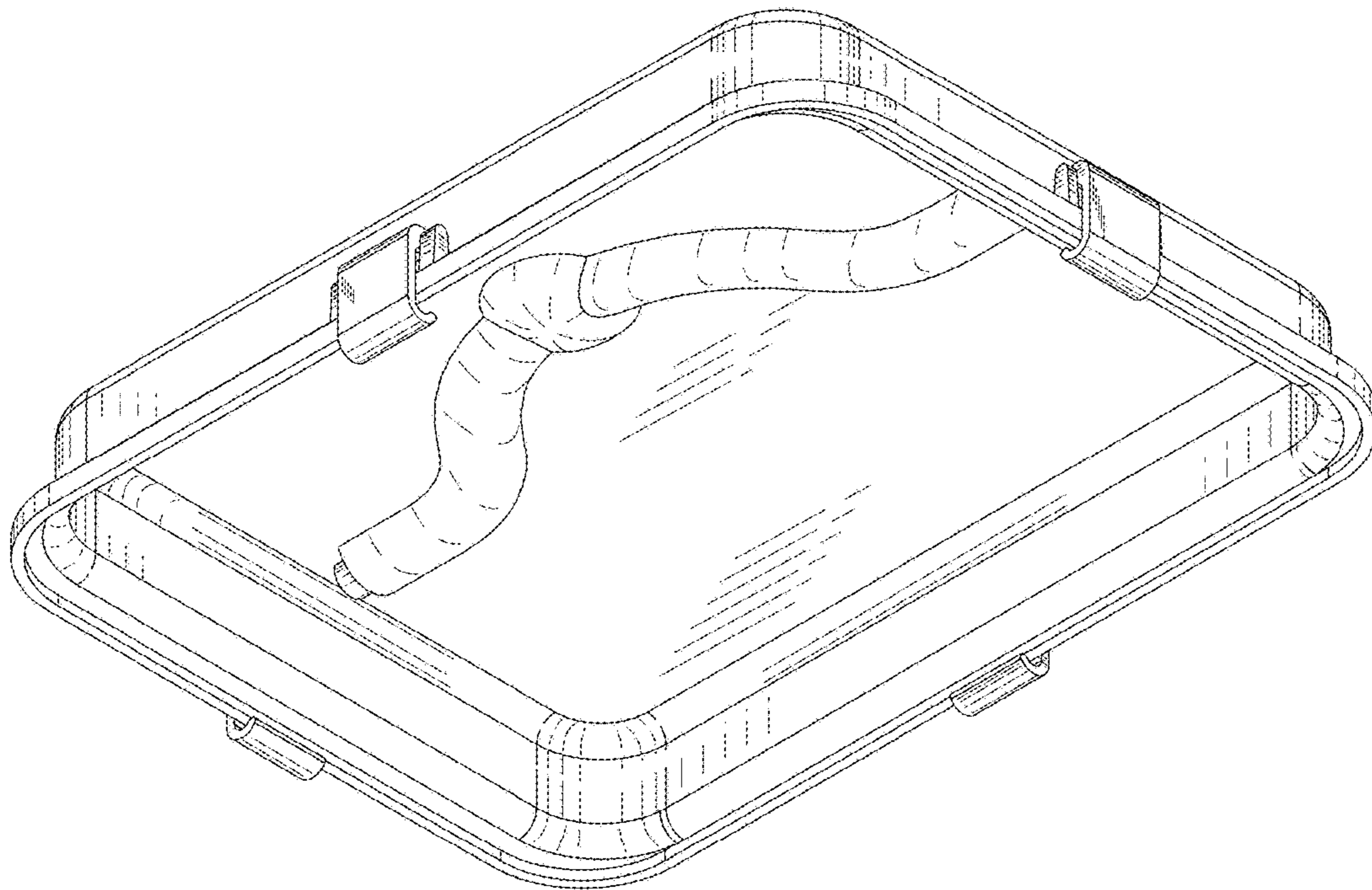


FIG. 9