



US00D780531S

(12) **United States Design Patent** (10) **Patent No.:** **US D780,531 S**  
**Seiders et al.** (45) **Date of Patent:** **\*\* Mar. 7, 2017**

- (54) **BEVERAGE HOLDER**
- (71) Applicant: **YETI Coolers, LLC**, Austin, TX (US)
- (72) Inventors: **Roy Joseph Seiders**, Austin, TX (US);  
**John Alan Tolman**, Austin, TX (US)
- (73) Assignee: **YETI Coolers, LLC**, Austin, TX (US)
- (\*\*) Term: **15 Years**
- (21) Appl. No.: **29/540,989**
- (22) Filed: **Sep. 29, 2015**

- D345,676 S 4/1994 Biffle
  - D370,300 S 5/1996 Gottvald et al.
  - D375,870 S 11/1996 Stonehouse
  - D404,974 S 2/1999 Kristinik
  - D405,609 S 2/1999 Fu et al.
  - D408,689 S 4/1999 Kato
  - D442,833 S 5/2001 Shuman
  - D455,052 S \* 4/2002 Gullickson ..... D7/619.1
  - D455,612 S \* 4/2002 Gullickson ..... D7/608
- (Continued)

**Related U.S. Application Data**

- (63) Continuation of application No. 29/500,908, filed on Aug. 29, 2014, now Pat. No. Des. 752,397.
- (51) **LOC (10) Cl.** ..... **07-06**
- (52) **U.S. Cl.**  
USPC ..... **D7/624.2**; D7/608
- (58) **Field of Classification Search**  
USPC ..... D7/619.1-625, 701-708, 603-608;  
D9/455  
CPC ..... B65D 81/3881; B65D 81/3886; A47G  
23/0241; A47G 23/0266; A47G 19/2288  
See application file for complete search history.

**References Cited**

**U.S. PATENT DOCUMENTS**

- D105,373 S 7/1937 Connor
- D246,029 S 10/1977 Lynn et al.
- D266,391 S 10/1982 Jordon
- D286,604 S 11/1986 Bierlein et al.
- D300,495 S 4/1989 Minuti
- D301,821 S 6/1989 Bartolo
- D322,753 S 12/1991 Sussman
- D324,281 S 2/1992 Brussing
- D324,976 S 3/1992 Katz
- D327,093 S 6/1992 Evenson

**OTHER PUBLICATIONS**

“Hooler the handheld cooler”, published on Apr. 12, 2014, retrieved from <https://web.archive.org/web/20140412062054/http://www.hoolercooler.com/> on Aug. 4, 2015.

(Continued)

*Primary Examiner* — Terry Wallace

(74) *Attorney, Agent, or Firm* — Banner & Witcoff, Ltd.

(57) **CLAIM**

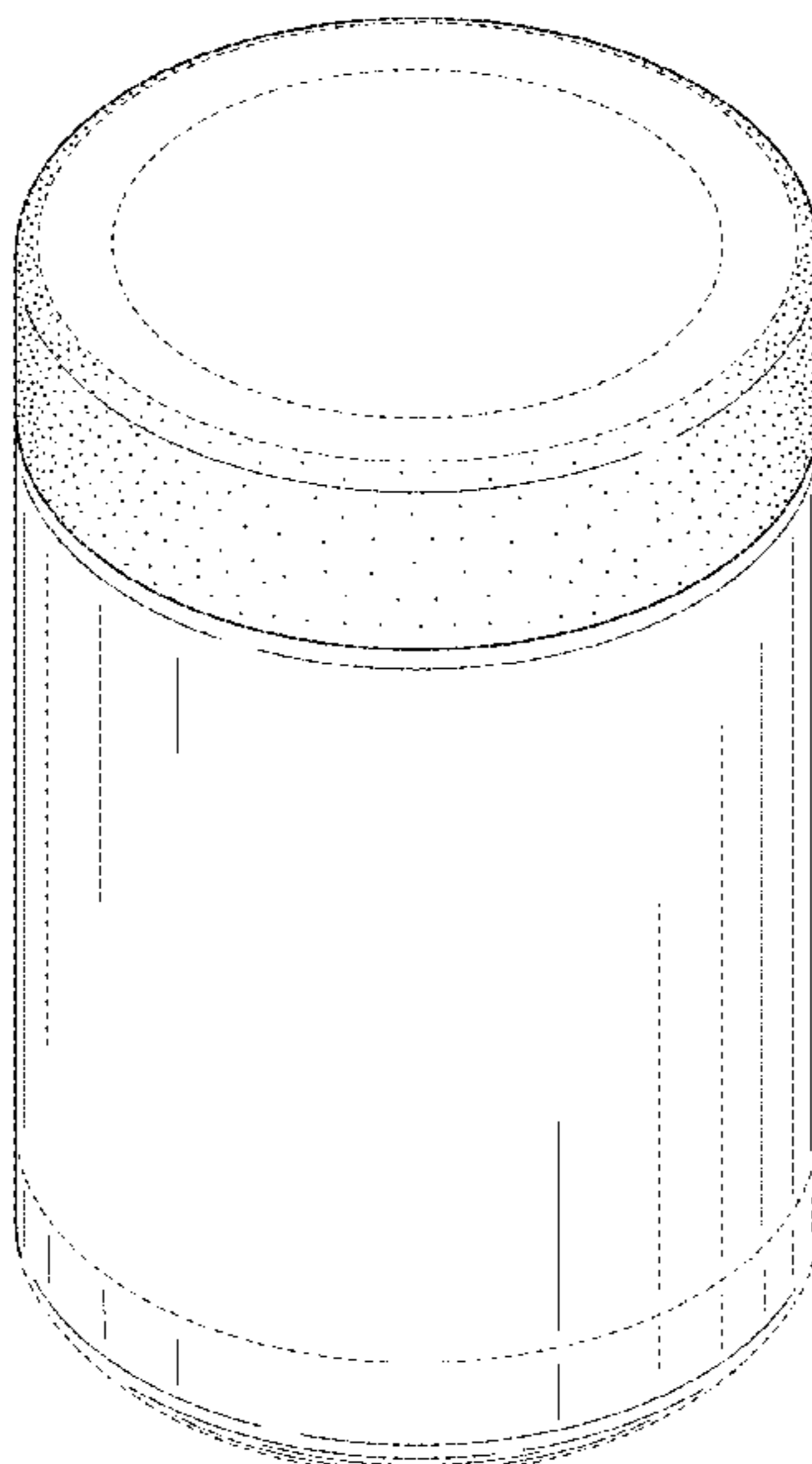
The ornamental design for a beverage holder, as shown and described.

**DESCRIPTION**

FIG. 1 is a top, front, right perspective view of a beverage holder showing our new design;  
FIG. 2 is a front view thereof;  
FIG. 3 is a right side view thereof;  
FIG. 4 is a rear view thereof;  
FIG. 5 is a left side view thereof; and,  
FIG. 6 is a top view thereof.

The broken lines immediately adjacent to the shaded area represent unclaimed boundaries of the design. The broken lines showing the remainder of the beverage holder are for environmental purposes only and form no part of the claimed design.

**1 Claim, 4 Drawing Sheets**



(56)

References Cited

U.S. PATENT DOCUMENTS

D466,814 S	12/2002	Hurlburt	
D470,724 S	2/2003	Basara	
D471,064 S	3/2003	Renz	
D474,651 S	5/2003	Ward	
6,626,326 B2 *	9/2003	Murakami	..... B65D 81/3881 220/23.87
D483,995 S	12/2003	Otake	
D497,778 S	11/2004	Rich	
H2217 H	6/2008	Smay et al.	
D585,245 S	1/2009	Brouillette	
D593,372 S	6/2009	Carreno	
D593,811 S	6/2009	Carreno	
D617,608 S	6/2010	Yang et al.	
D622,554 S	8/2010	Carreno	
D629,657 S	12/2010	Carreno	
D641,591 S	7/2011	Tsukida	
D660,084 S	5/2012	Gilbert	
D660,655 S	5/2012	Wahl et al.	
D663,169 S	7/2012	Beggins et al.	
D666,061 S	8/2012	Ying	
8,251,247 B1 *	8/2012	Breckner	..... A47G 23/0241 220/592.16
D675,066 S	1/2013	Conlin et al.	
D679,960 S	4/2013	Hopkins et al.	
D680,387 S	4/2013	Hopkins et al.	
D682,625 S	5/2013	Lane	
D682,626 S	5/2013	Lane	
D685,231 S	7/2013	Lane	
D694,112 S	11/2013	Brown	
D695,138 S	12/2013	Ball	
D710,155 S	8/2014	Tatsukawa	
D715,101 S	10/2014	Grcic	
D719,788 S	12/2014	Soltz et al.	
D721,546 S	1/2015	Davidson	
D727,688 S	4/2015	Hewitt et al.	
D728,314 S	5/2015	Carstensen et al.	
D729,581 S	5/2015	Boroski	
D731,251 S	6/2015	Lane	
D732,347 S	6/2015	Katterheinrich et al.	
D734,096 S	7/2015	George et al.	

OTHER PUBLICATIONS

United States District Court Western District of Texas Austin Division, "Complaint for Damages and Injunctive Relief," *YETI Coolers, LLC v. Jennifer Leverne Bootz Evans d/b/a Bling and Burlap Buy In's and Blanks*, Case: 1:15-cv-00995, Document #1, filed Nov. 2, 2015, 128 pages.

United States District Court Western District of Texas Austin Division, "Order Dismissing Case," *YETI Coolers, LLC v. Jennifer Leverne Bootz Evans d/b/a Bling and Burlap Buy In's and Blanks*, Case: 1:15-cv-00995-RP, Document #18, filed Apr. 18, 2016, 1 page.

United States District Court Western District of Texas Austin Division, "Complaint for Damages and Injunctive Relief," *YETI*

*Coolers, LLC v. RTIC Coolers, LLC*, Case: 1:16-cv-00264, Document #1, filed Mar. 2, 2016, 34 pages.

United States District Court Western District of Texas Austin Division, "Defendants' Answer and Counterclaims to YETI's First Amended Complaint for Damages and Injunctive Relief," *YETI Coolers, v. RTIC Coolers, LLC, RTIC Drinkware, LLC, RTIC Web Services, LLC, Corporate Support & Fulfillment, LLC, John Jacobsen, and James Jacobsen*, Case: 1:16-cv-00264-RP, Document #25, filed Jun. 13, 2016, 42 pages.

United States District Court Western District of Texas Austin Division, "YETI Coolers, LLC's First Amended Complaint," *YETI Coolers, LLC v. RTIC Coolers, LLC, RTIC Drinkware, LLC, RTIC Web Services, LLC, Corporate Support & Fulfillment, LLC, John Jacobsen, and James Jacobsen*, Case: 1:16-cv-00264-RP, Document #15, filed May 16, 2016, 110 pages.

United States District Court Western District of Texas Austin Division, "Complaint for Damages and Injunctive Relief," *YETI Coolers, LLC v. Tree Leaf Marketing, LLC, d/b/a Big Frig*, Case: 1:16-cv-00699, Document #1, filed Jun. 17, 2016, 33 pages.

United States District Court Western District of Texas Austin Division, "Complaint for Damages and Injunctive Relief," *YETI Coolers, LLC v. Wal-Mart Stores, Inc.*, Case: 1:16-cv-00454, Document #1, filed Apr. 8, 2016, 29 pages.

United States District Court Western District of Texas Austin Division, "Joint Rule 26(f) Report and Discovery Plan," *YETI Coolers, LLC v. Wal-Mart Stores, Inc. and Olympia Tools International, Inc.*, Case: 1:16-cv-00454-RP, Document #1, filed Jul. 28, 2016, 8 pages.

United States District Court Western District of Texas Austin Division, "Olympia Tools International, Inc.'s Answer to YETI Coolers, LLC's First Amended Complaint," *YETI Coolers, LLC v. Wal-Mart Stores, Inc. and Olympia Tools International, Inc.*, Case: 1:16-cv-00454-RP, Document #28, filed Jul. 14, 2016, 12 pages.

United States District Court Western District of Texas Austin Division, "Wal-Mart Stores, Inc.'s Answer to First Amended Complaint," *YETI Coolers, LLC v. Wal-Mart Stores, Inc. and Olympia Tools International, Inc.*, Case: 1:16-cv-00454-RP, Document #22 filed Jun. 7, 2016, 13 pages.

United States District Court Western District of Texas Austin Division, "First Amended Complaint for Damages and Injunctive Relief," *YETI Coolers, LLC v. Wal-Mart Stores, Inc. and Olympia Tools International, Inc.*, Case: 1:16-cv-00454-RP, Document #17, filed May 24, 2016, 26 pages.

"Siskiyou Sports CCS48F Oklahoma Sooners Flame Can Cooler", published on Jul. 9, 2014, retrieved from <<http://www.sears.com/siskiyou-sports-ccs48f-oklahoma-sooners-flame-can-cooler/p-SPM7376348303>> on Sep. 16, 2016.

"Mini Keg Coozies! Beer Inside Kegs!", published by Chad Dukes on Dec. 18, 2013, retrieved from <<http://beerandpig.com/category/beer/page/2/>> on Sep. 16, 2016.

"Stainless Steel Can Cooler", published on Apr. 6, 2014, retrieved from <<http://www.belpromo.com/nd/detail.php?c=34&p=KZSS001&s=mvp23g56>> on Sep. 22, 2016.

"Stanley Vacuum Insulated Container—Thermos bottle", published on Feb. 24, 2012, retrieved from <<https://www.youtube.com/watch?v=UCMjqZiNU3o>> on Sep. 23, 2016.

\* cited by examiner

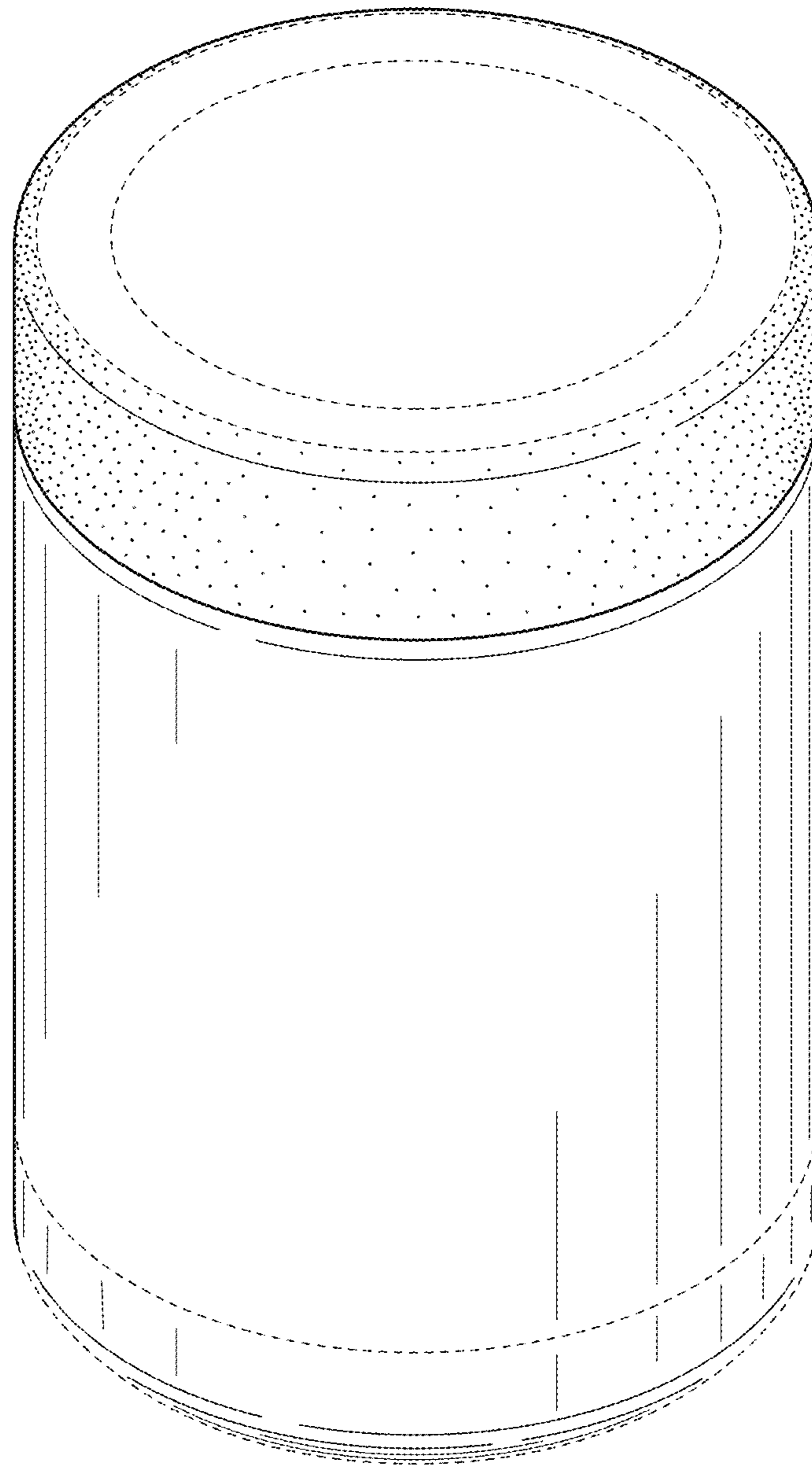


FIG.1

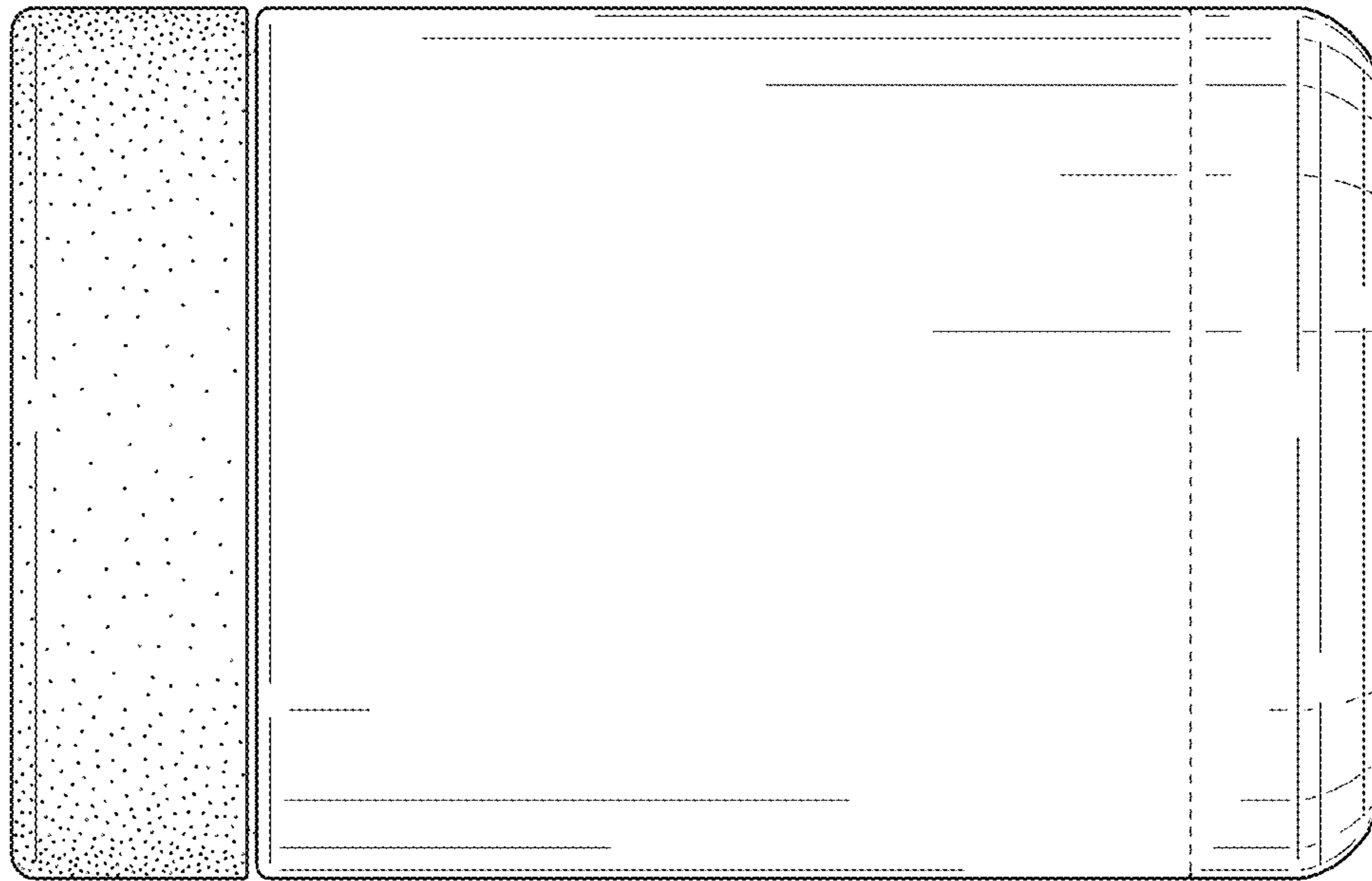


FIG. 3

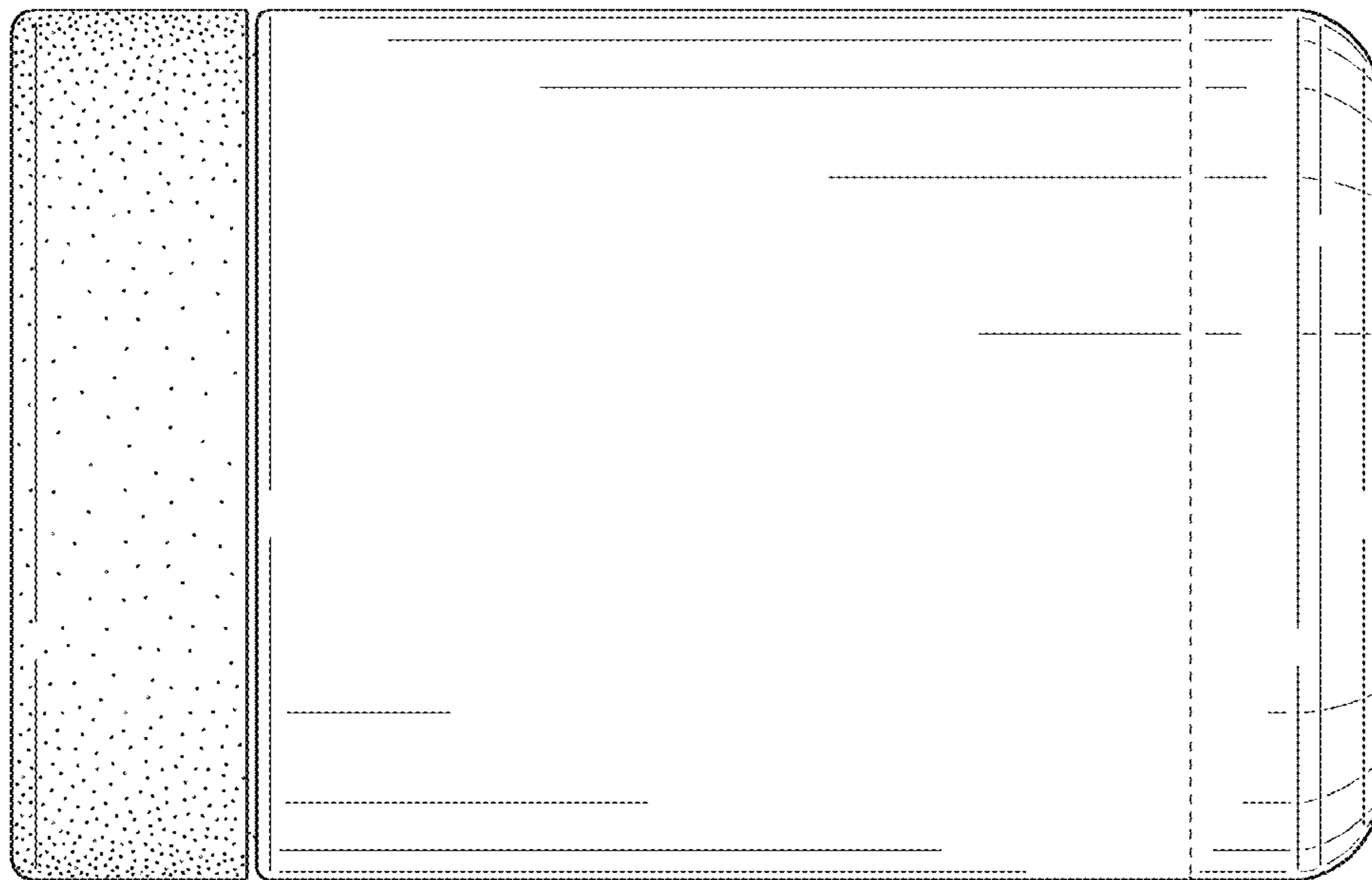


FIG. 2

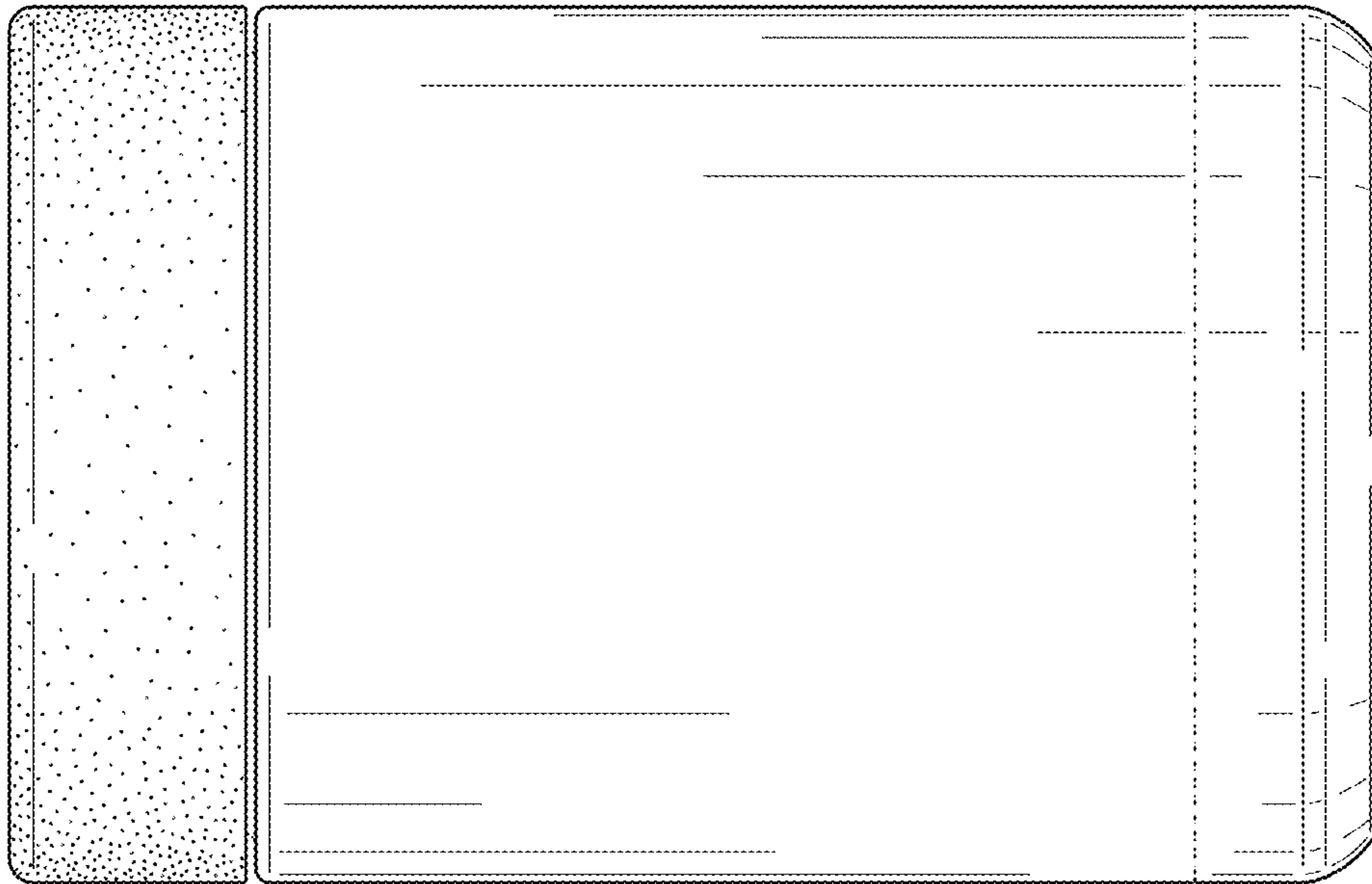


FIG. 5

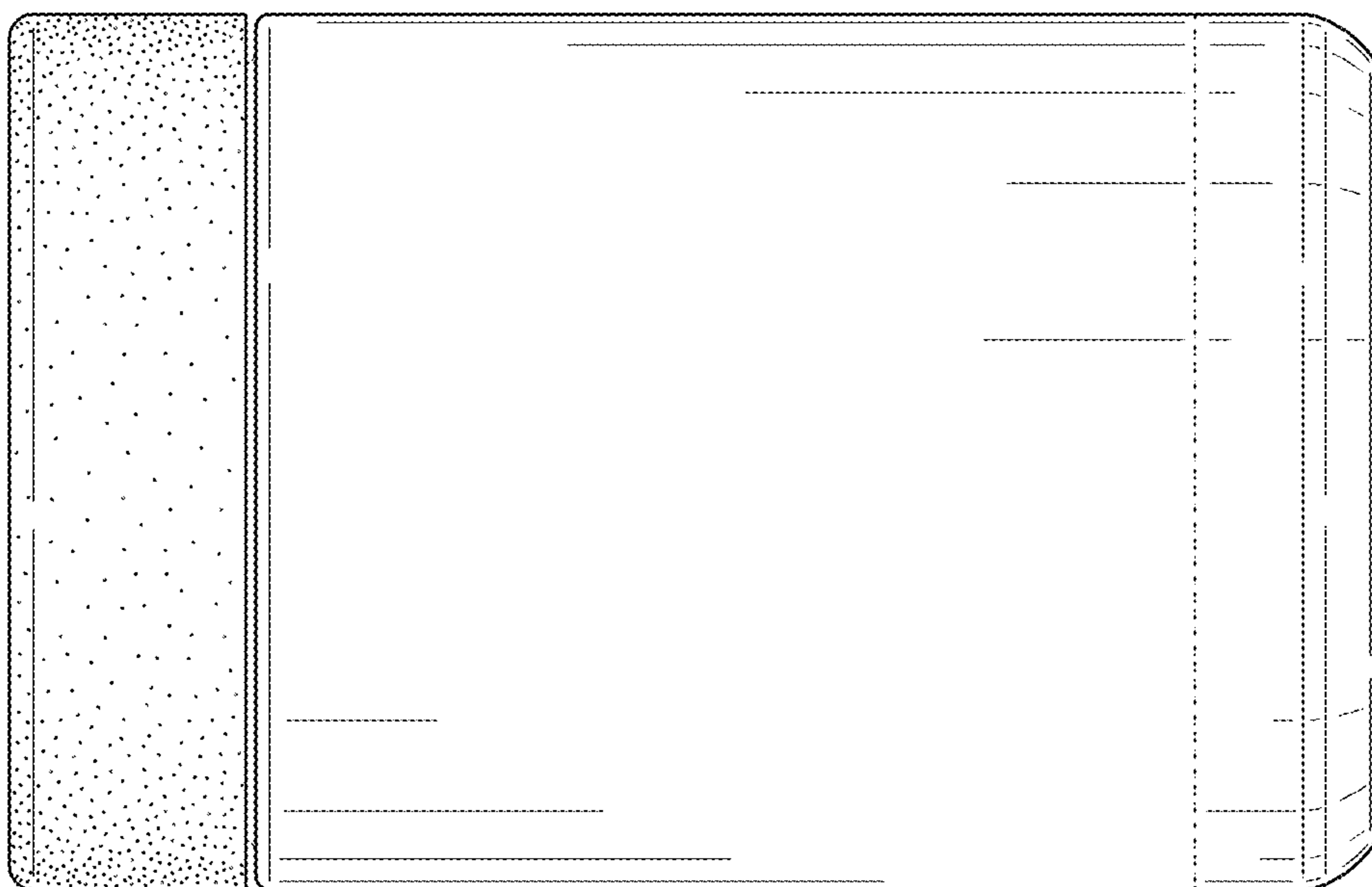


FIG. 4

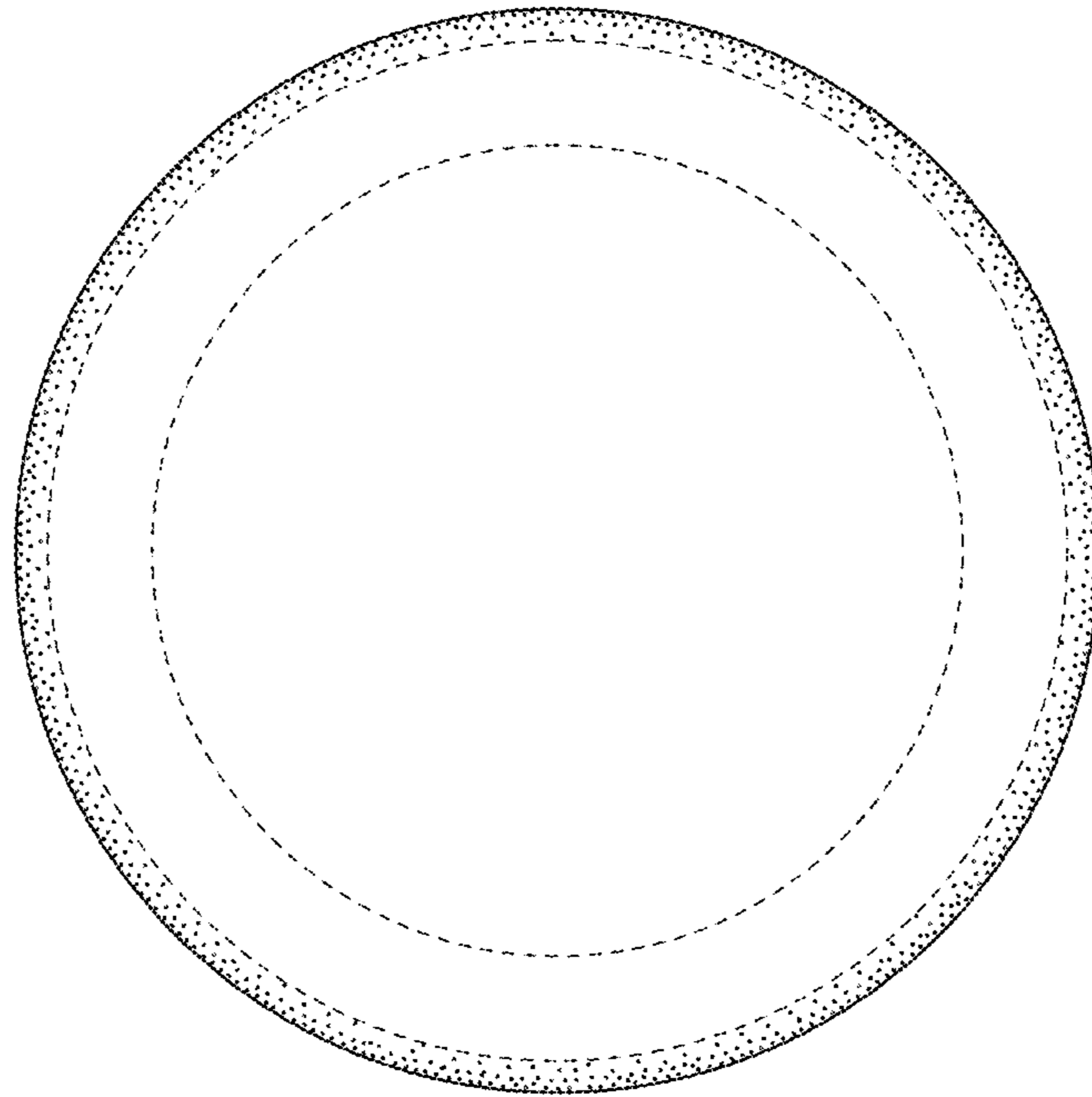


FIG. 6