



US00D780528S

(12) **United States Design Patent**
Salama

(10) **Patent No.:** **US D780,528 S**
(45) **Date of Patent:** **** Mar. 7, 2017**

(54) **PORTABLE ADJUSTABLE BEVERAGE INSULATOR**

(71) Applicant: **David John Salama**, Cornelius, NC (US)

(72) Inventor: **David John Salama**, Cornelius, NC (US)

(**) Term: **15 Years**

(21) Appl. No.: **29/551,261**

(22) Filed: **Jan. 12, 2016**

(51) **LOC (10) Cl.** **07-01**

(52) **U.S. Cl.**
USPC **D7/608; D7/624.2**

(58) **Field of Classification Search**
USPC D7/619.1-625, 605-608, 701-708
CPC A47G 23/0241; A47G 23/0266; A47G 19/2288; A47G 23/03; A47G 23/0216; B65D 23/104; B65D 81/3876; B65D 81/3886; A45F 3/14; B60N 3/102; F17C 13/001; F25D 3/08; F25D 2331/804
See application file for complete search history.

(56) **References Cited**

U.S. PATENT DOCUMENTS

4,344,303 A * 8/1982 Kelly, Jr. A61F 7/10 215/12.1
4,540,611 A * 9/1985 Henderson B65D 23/08 150/901

4,798,063 A * 1/1989 Rimmer B65D 81/3886 62/371
D347,553 S * 6/1994 Schneider D7/607
5,445,315 A * 8/1995 Shelby B65D 5/3628 220/592.17
8,251,247 B1 * 8/2012 Breckner A47G 23/0241 220/592.16
D678,731 S * 3/2013 O'Neill D7/624.2

* cited by examiner

Primary Examiner — Terry Wallace

(74) *Attorney, Agent, or Firm* — Clements Bernard Walker PLLC; Christopher L. Bernard; Lawrence A. Baratta, Jr.

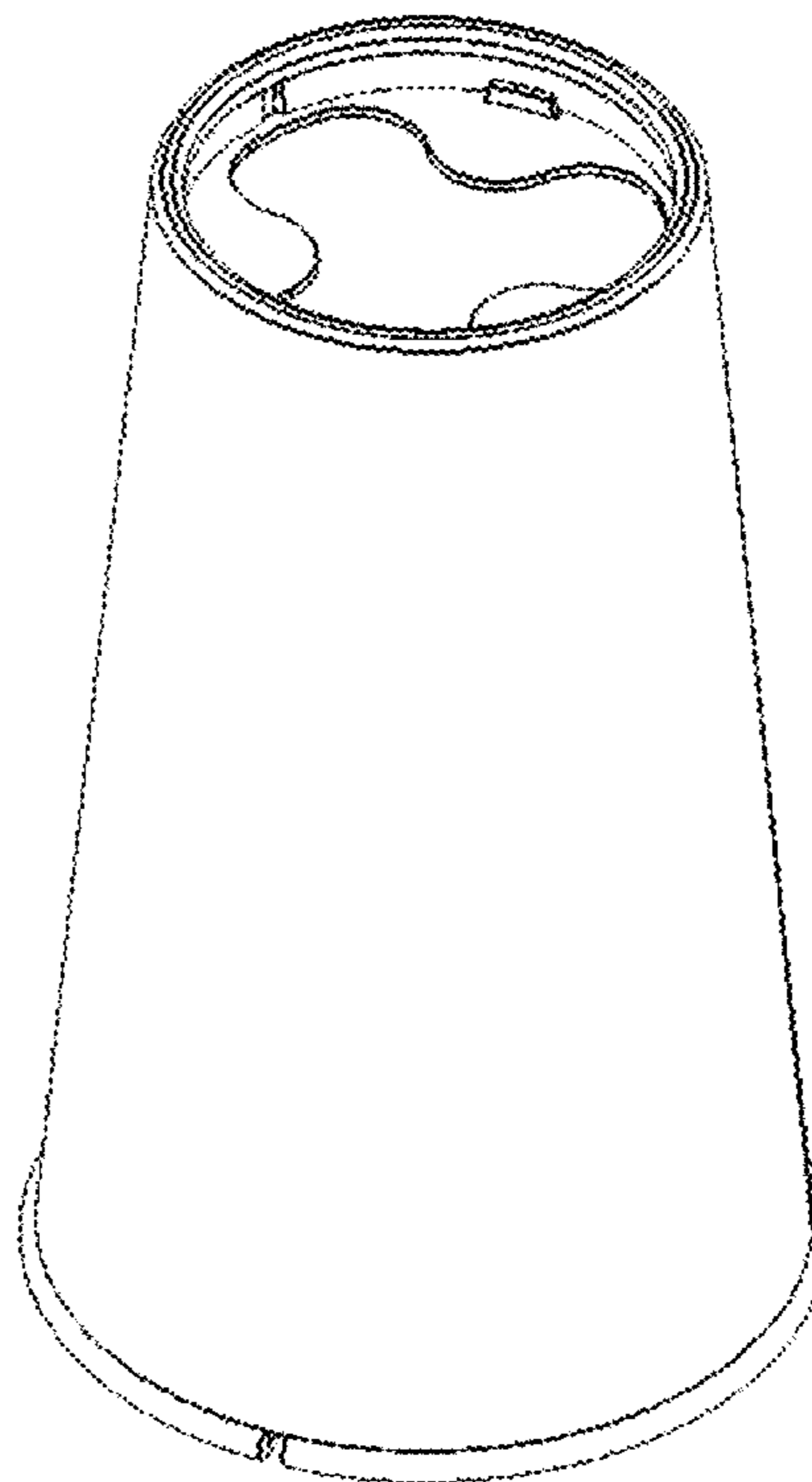
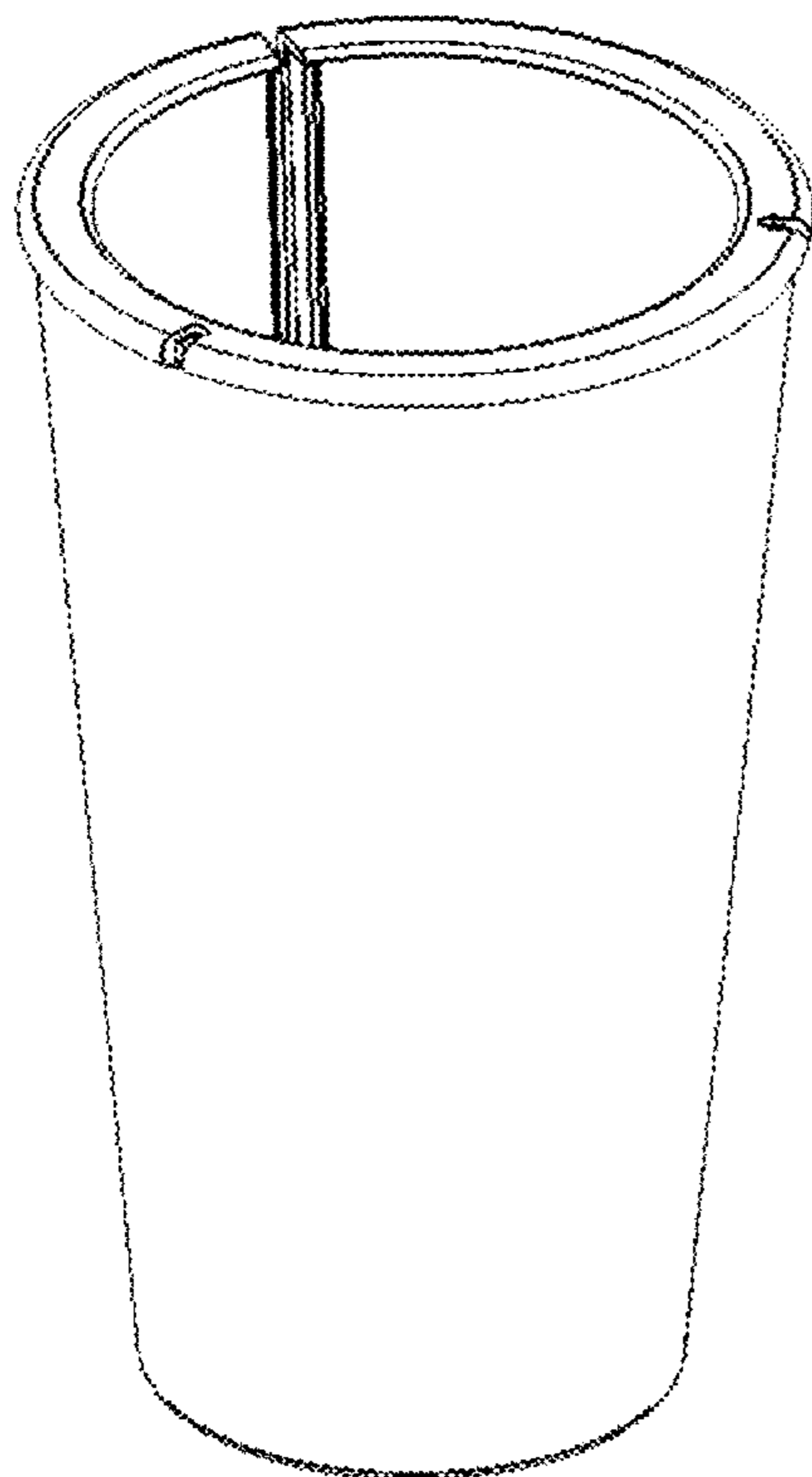
(57) **CLAIM**

The ornamental design for a portable adjustable beverage insulator, as shown.

DESCRIPTION

FIG. 1 is a top perspective view of a portable adjustable beverage insulator showing my new design.
FIG. 2 is a bottom perspective view thereof.
FIG. 3 is a front view thereof.
FIG. 4 is a left side view thereof.
FIG. 5 is a right side view thereof.
FIG. 6 is a rear view thereof.
FIG. 7 is a top plan view thereof; and,
FIG. 8 is a bottom plan view thereof.

1 Claim, 8 Drawing Sheets



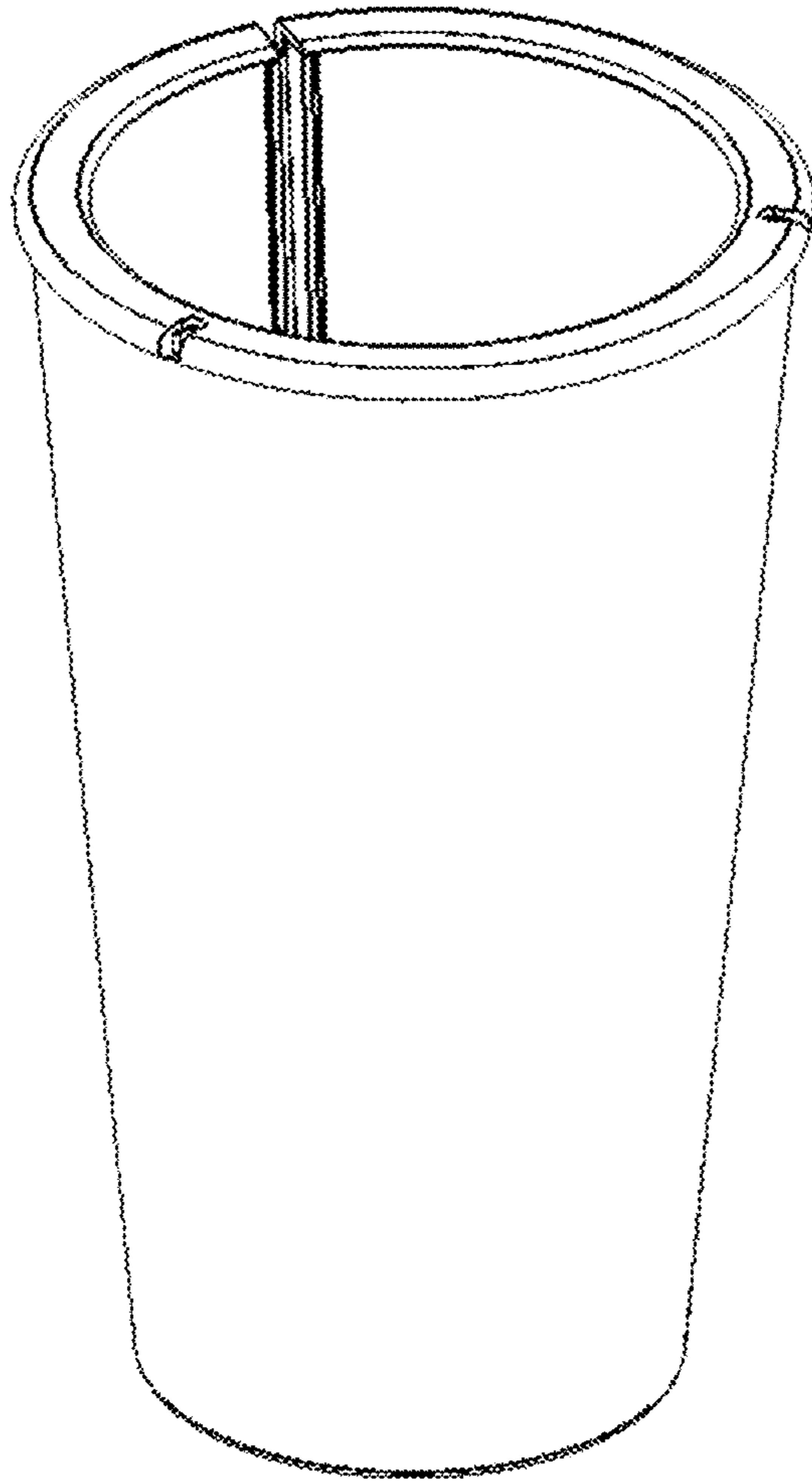


FIG. 1

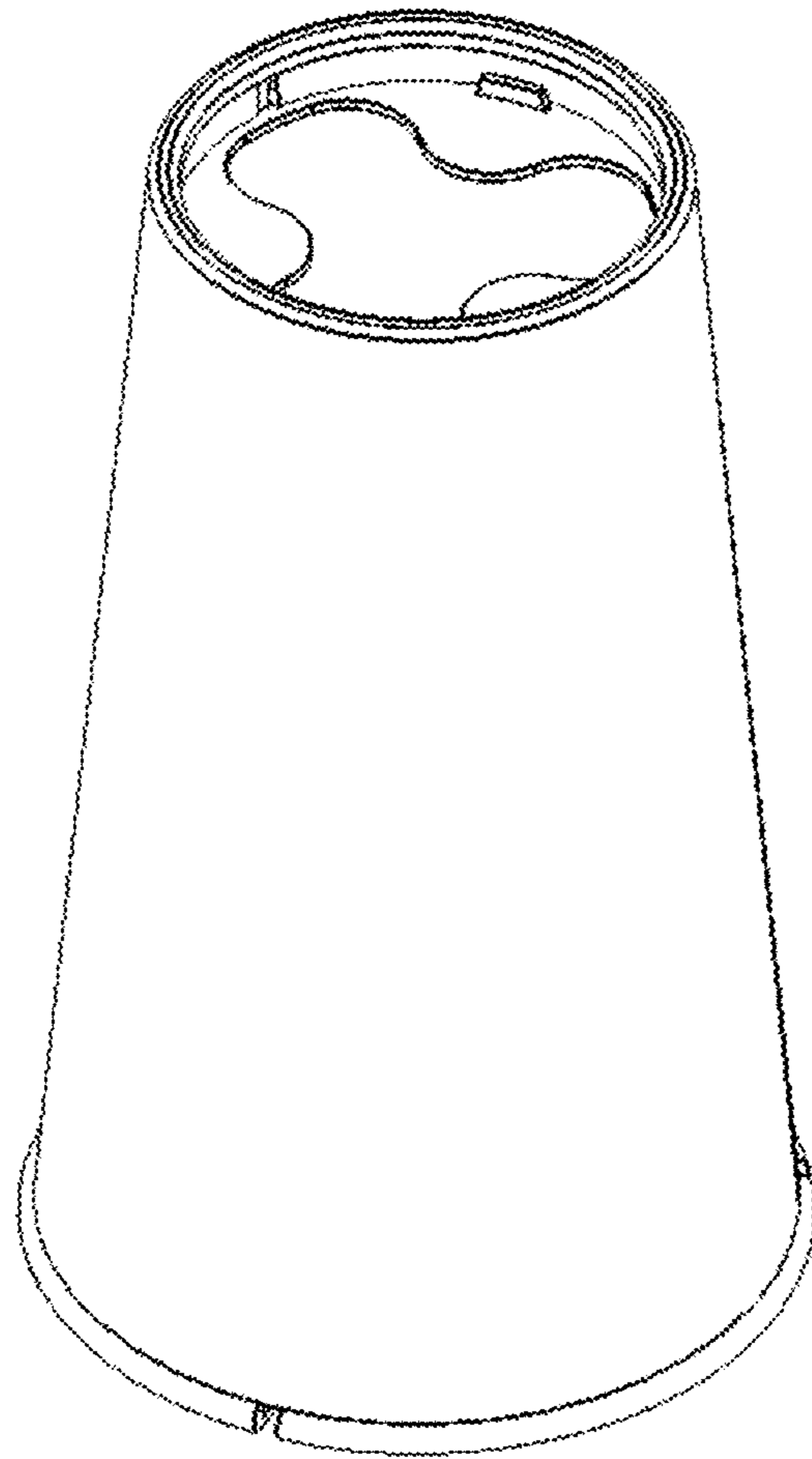


FIG. 2

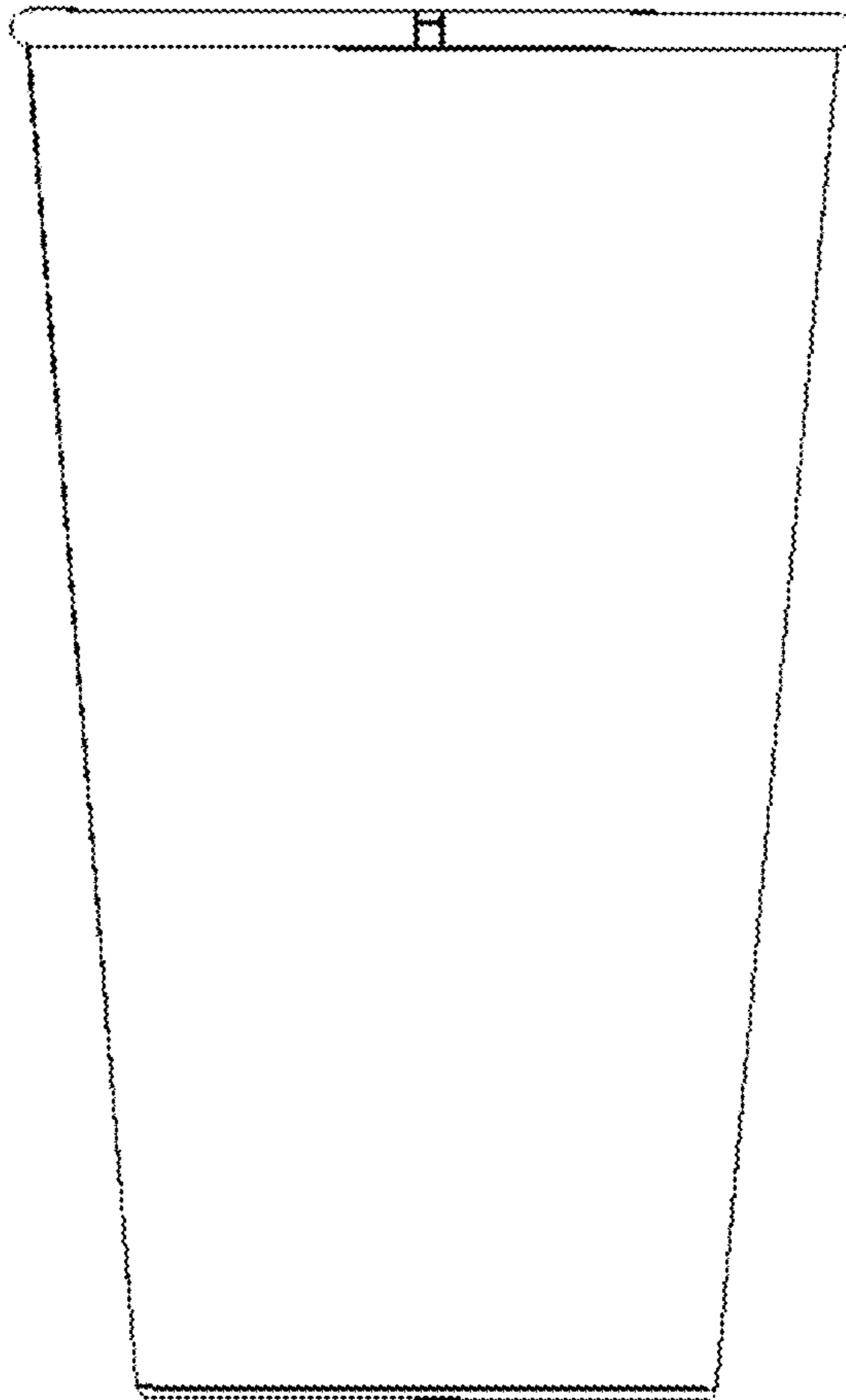


FIG. 3

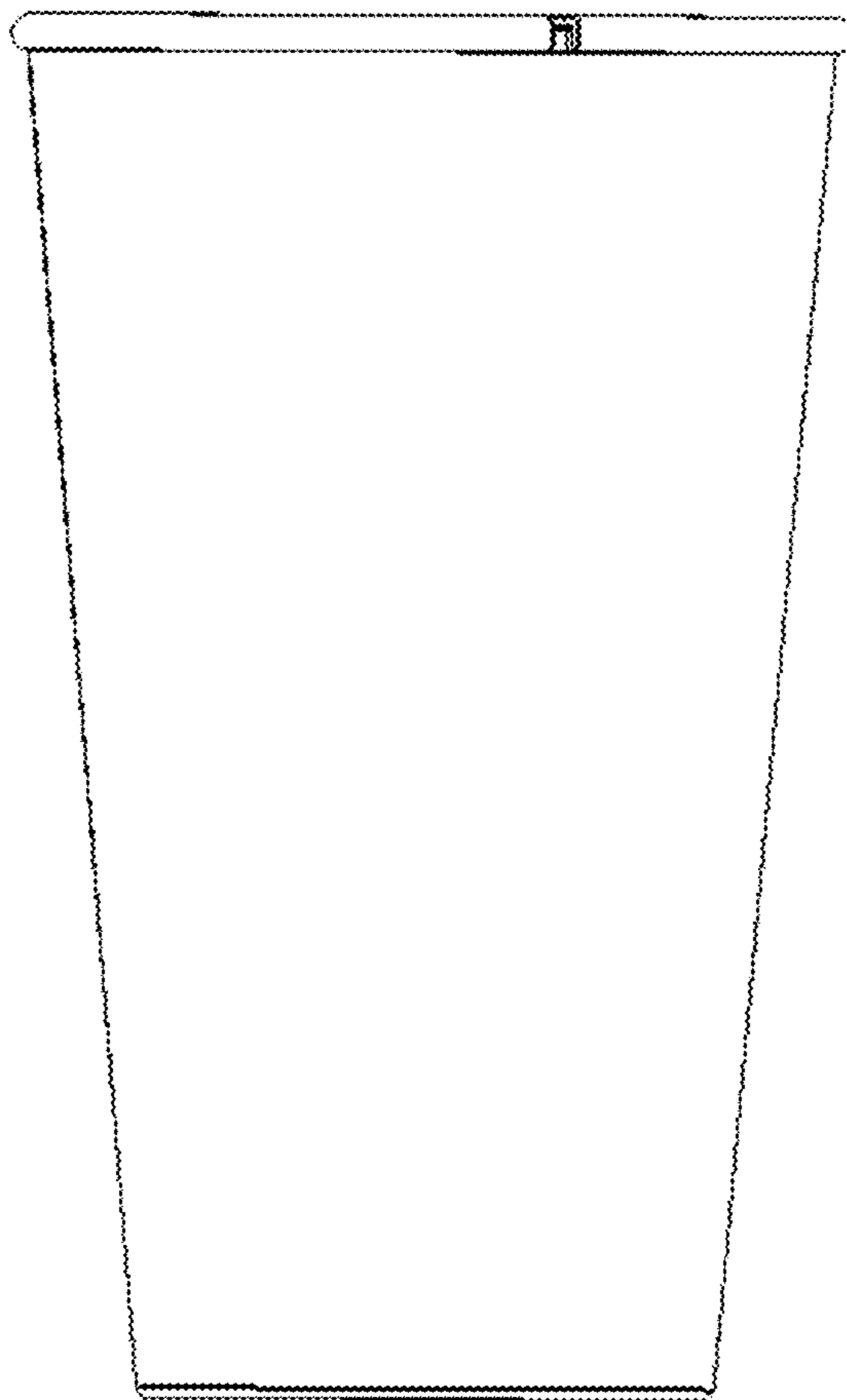


FIG. 4

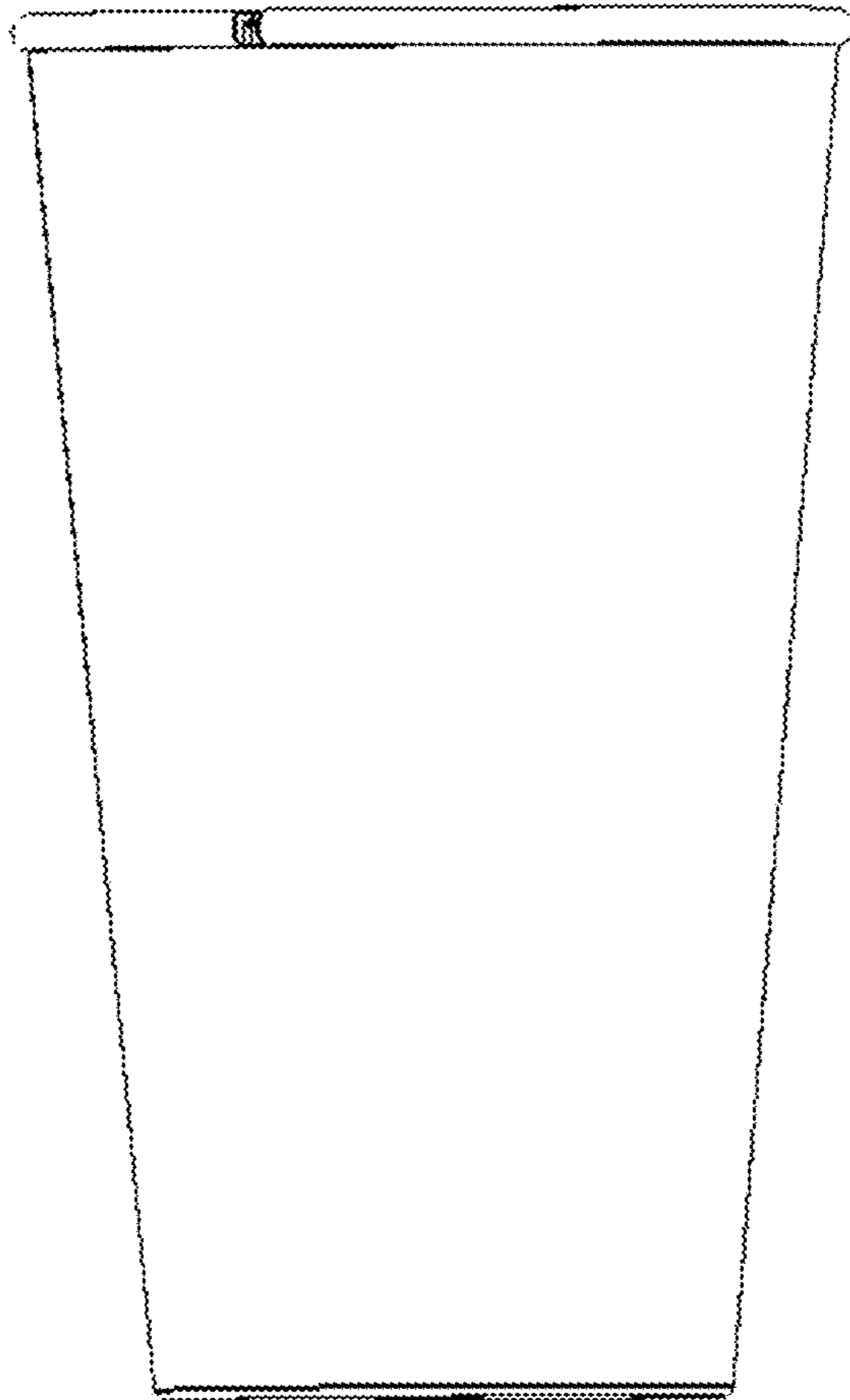


FIG. 5

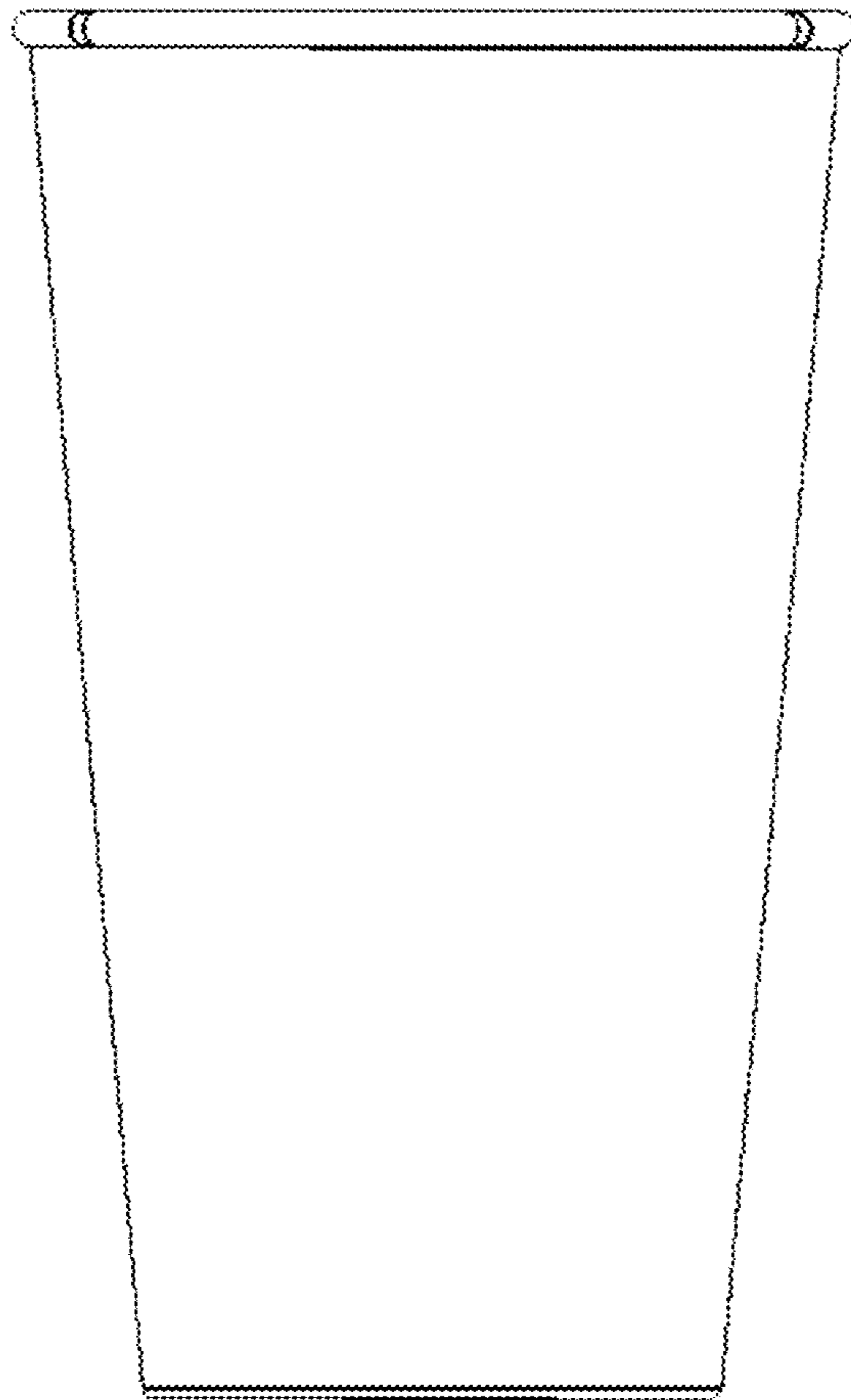


FIG. 6

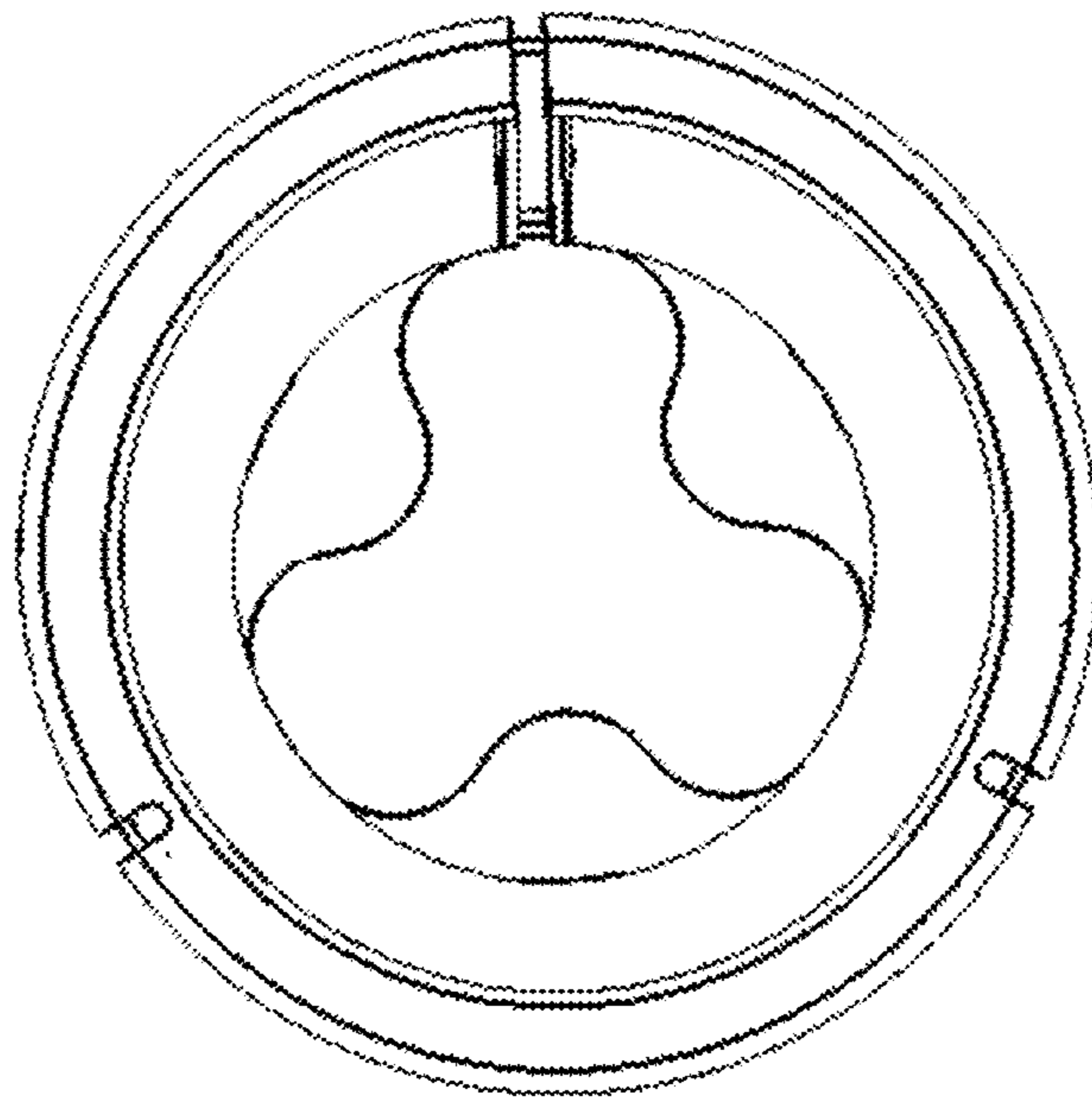


FIG. 7

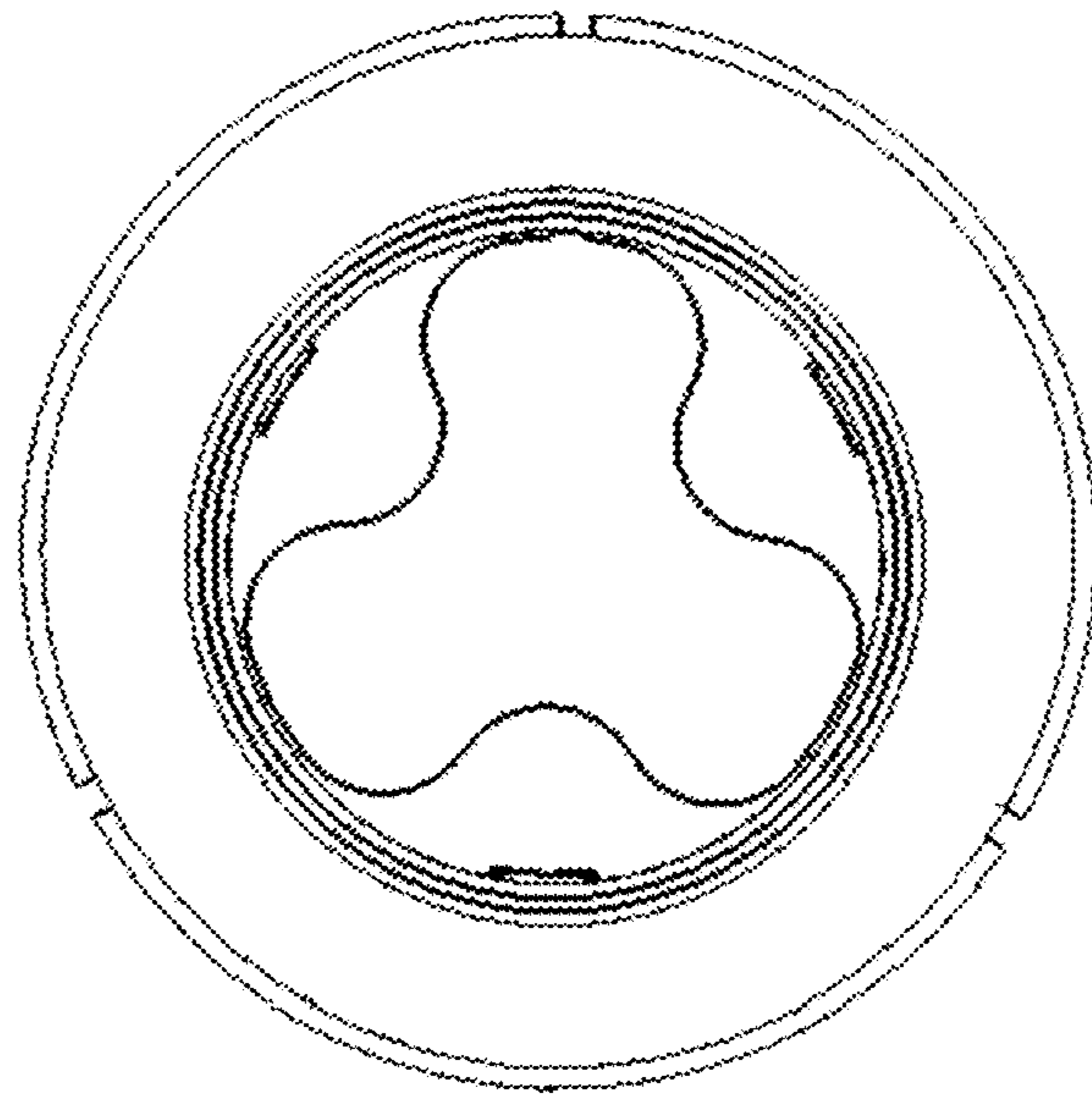


FIG. 8