



US00D780527S

(12) **United States Design Patent**  
**Salama**

(10) **Patent No.:** **US D780,527 S**  
(45) **Date of Patent:** **\*\* Mar. 7, 2017**

(54) **ADJUSTABLE BEVERAGE INSULATOR**

8,579,149 B2 \* 11/2013 Henke ..... B60N 3/10  
220/634

(71) Applicant: **David John Salama**, Cornelius, NC  
(US)

\* cited by examiner

(72) Inventor: **David John Salama**, Cornelius, NC  
(US)

*Primary Examiner* — Terry Wallace

(\*\*) Term: **15 Years**

(74) *Attorney, Agent, or Firm* — Clements Bernard  
Walker PLLC; Christopher L. Bernard; Lawrence A.  
Baratta, Jr.

(21) Appl. No.: **29/551,257**

(22) Filed: **Jan. 12, 2016**

(51) **LOC (10) Cl.** ..... **07-01**

(52) **U.S. Cl.**  
USPC ..... **D7/608; D7/624.2**

(58) **Field of Classification Search**  
USPC ..... D7/619.1–625, 605–608, 701–708  
CPC ..... A47G 23/0241; A47G 23/0266; A47G  
19/2288; A47G 23/03; A47G 23/0216;  
B65D 23/104; B65D 81/3876; B65D  
81/3886; A45F 3/14; B60N 3/102; F17C  
13/001; F25D 3/08; F25D 2331/804  
See application file for complete search history.

(57) **CLAIM**

The ornamental design for an adjustable beverage insulator,  
as shown.

**DESCRIPTION**

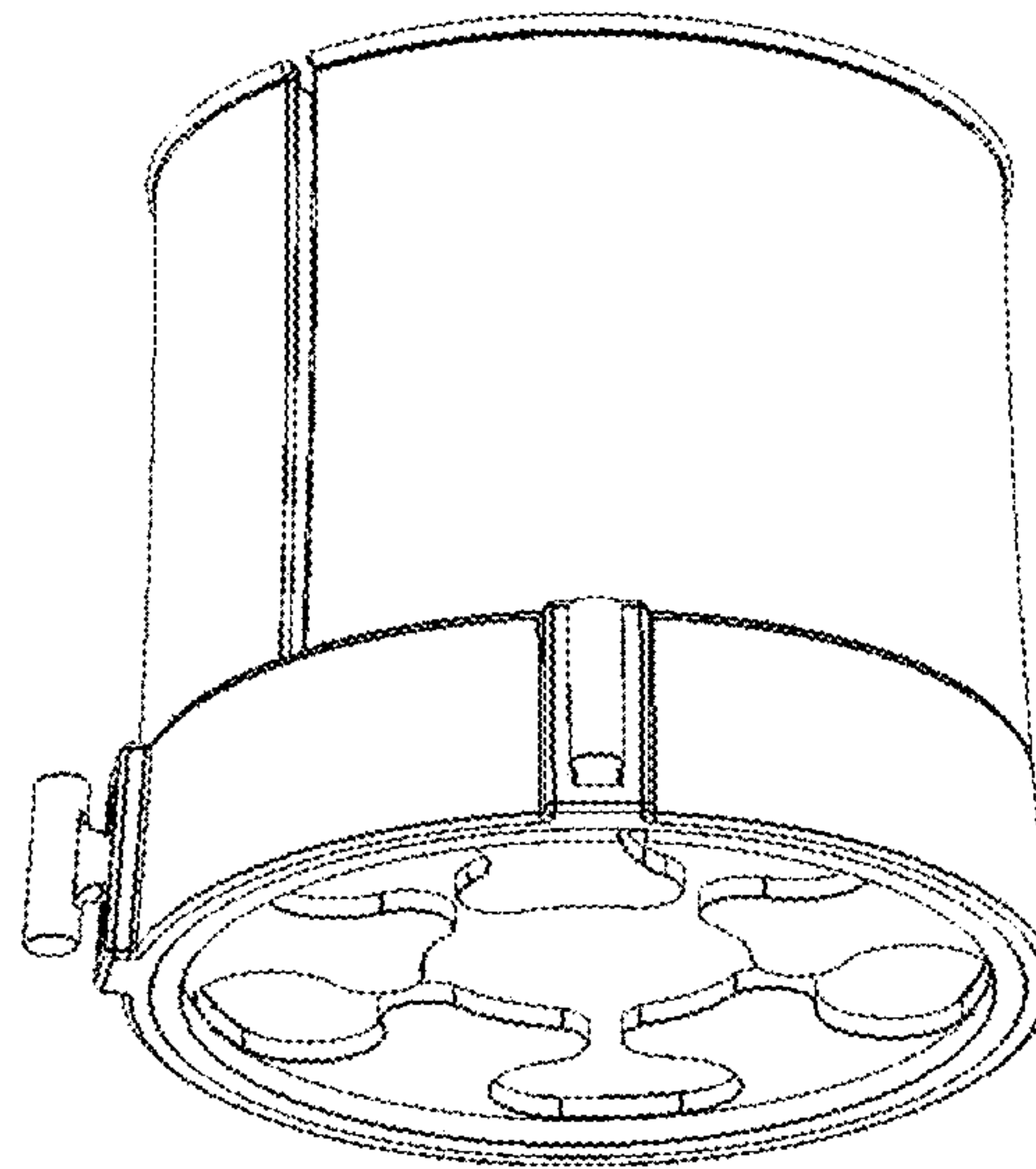
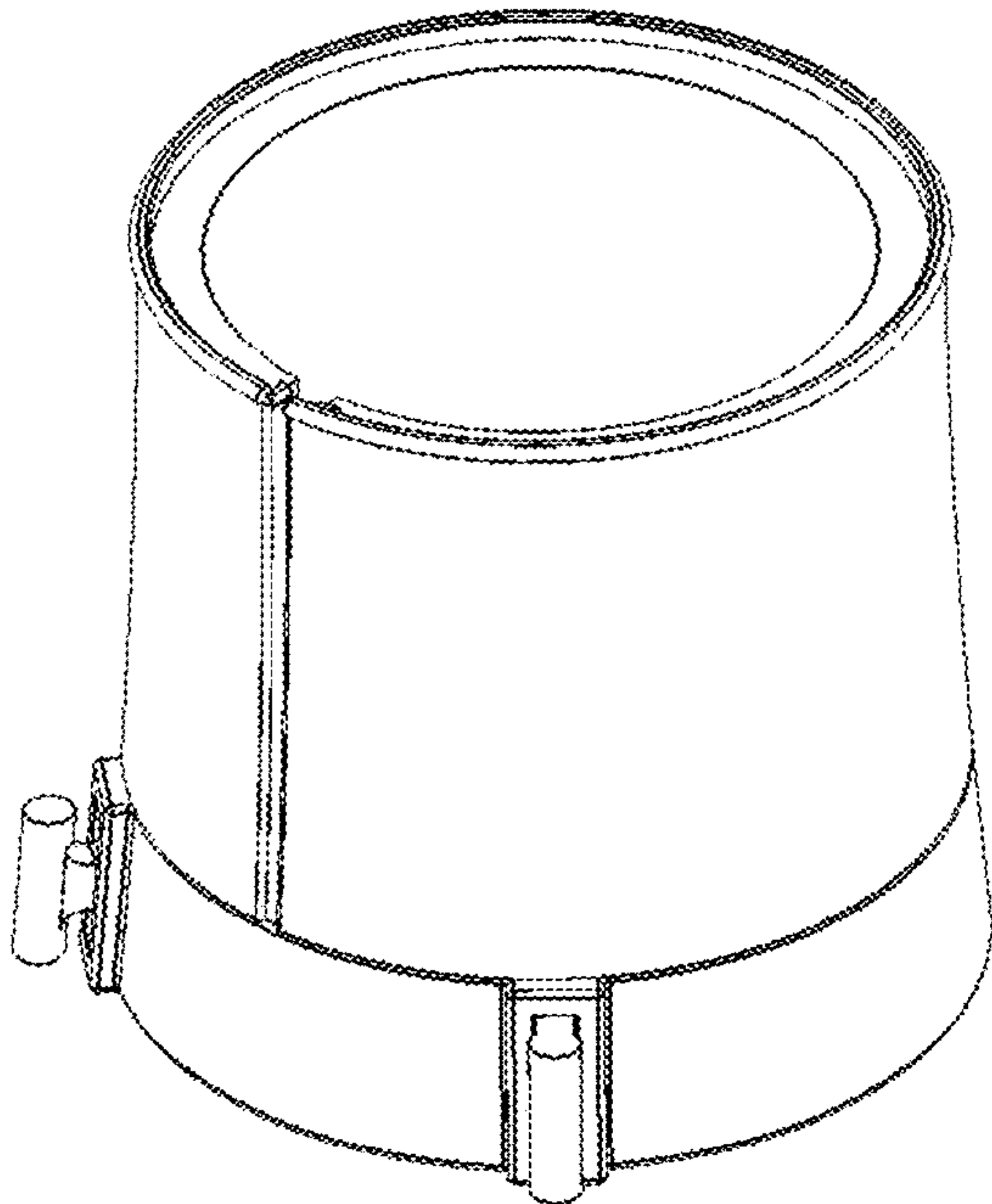
FIG. 1 is a top perspective view of an adjustable beverage  
insulator showing my new design.  
FIG. 2 is a bottom perspective view thereof.  
FIG. 3 is a front view thereof.  
FIG. 4 is a left side view thereof.  
FIG. 5 is a right side view thereof.  
FIG. 6 is a rear view thereof.  
FIG. 7 is a top plan view thereof; and,  
FIG. 8 is a bottom plan view thereof.

(56) **References Cited**

**U.S. PATENT DOCUMENTS**

5,390,887 A \* 2/1995 Campbell ..... B60N 3/106  
224/42.32  
6,315,153 B1 \* 11/2001 Osborn ..... A47G 23/0216  
220/737

**1 Claim, 8 Drawing Sheets**



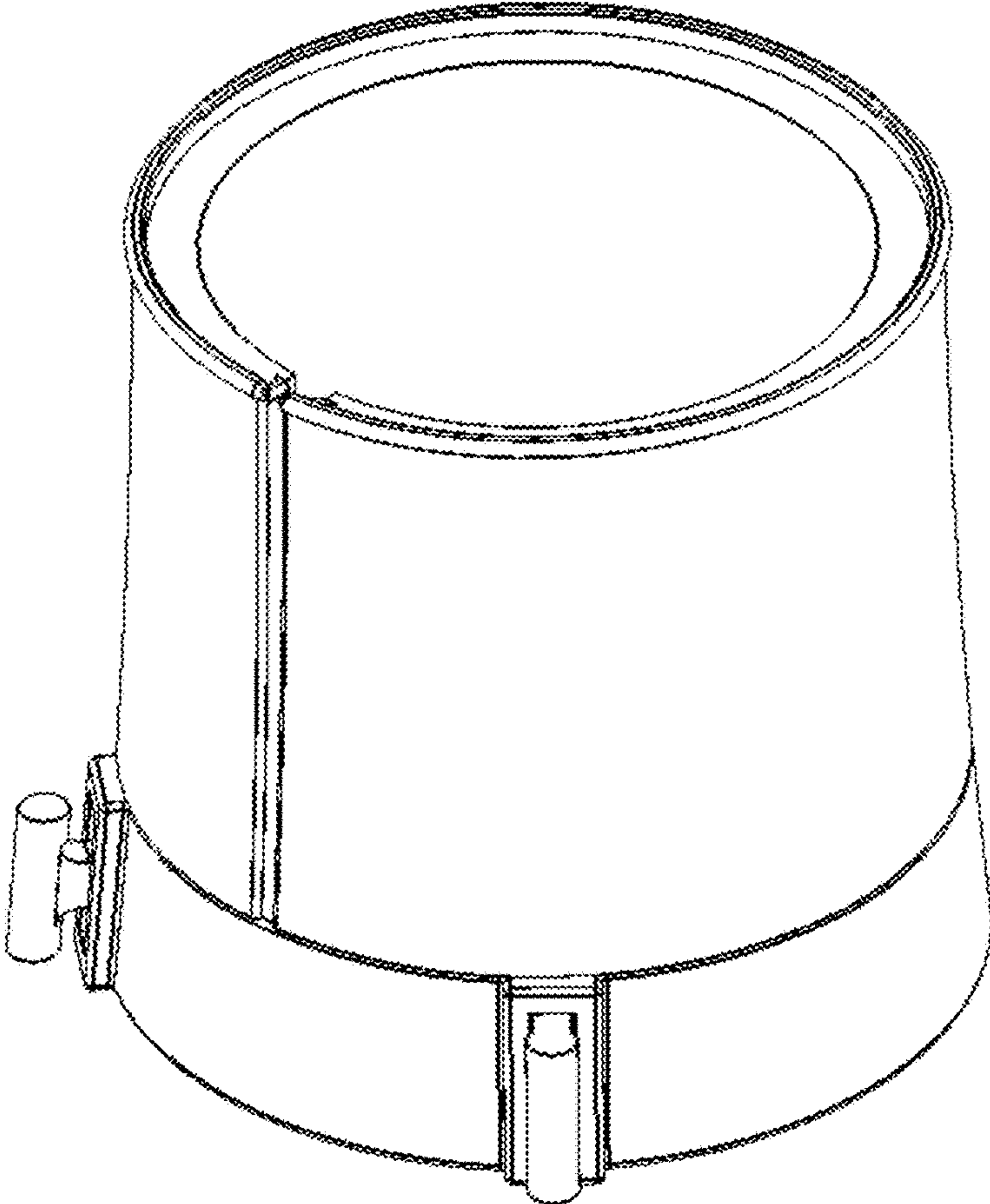


FIG. 1

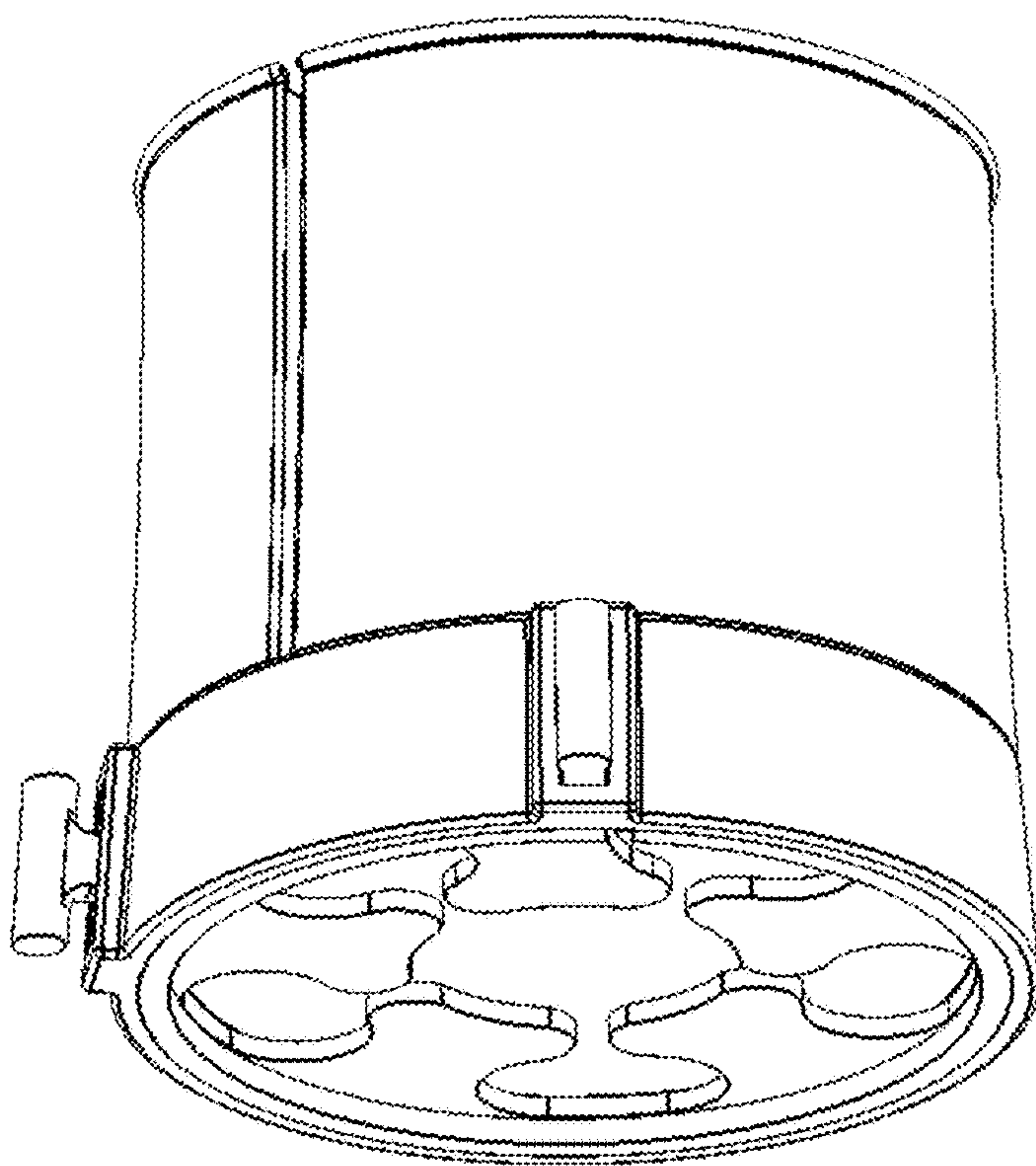


FIG. 2

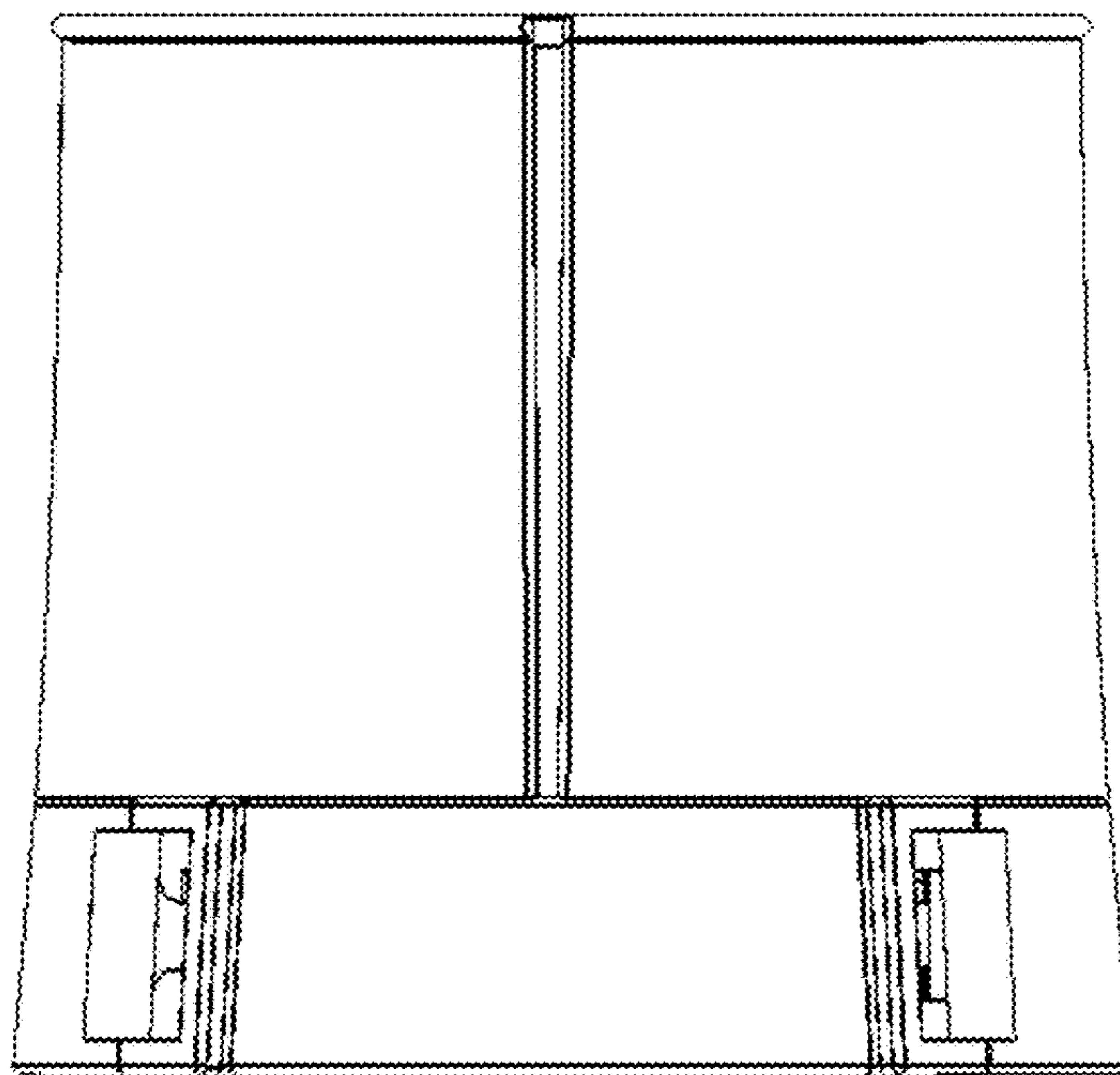


FIG. 3

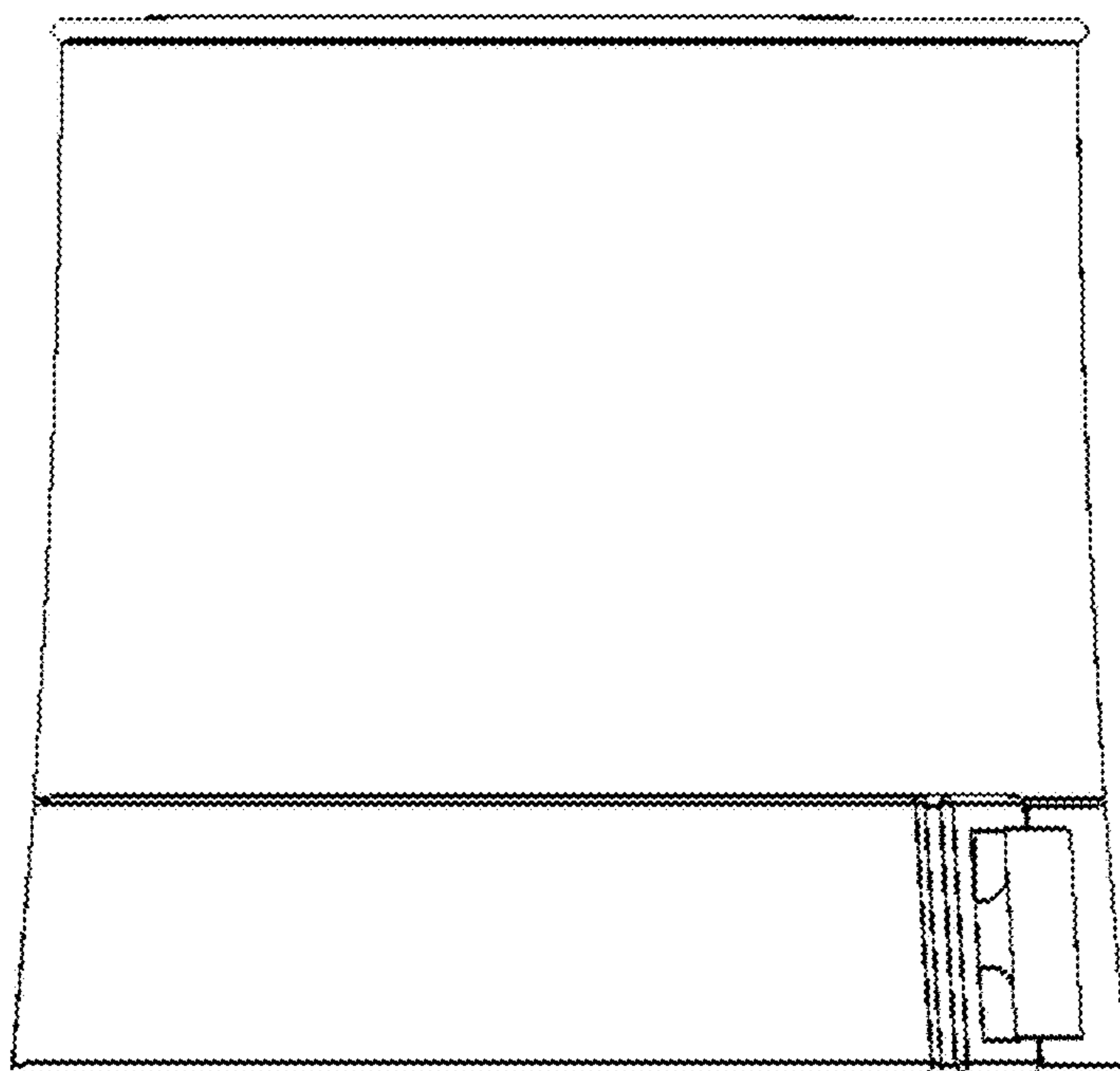


FIG. 4

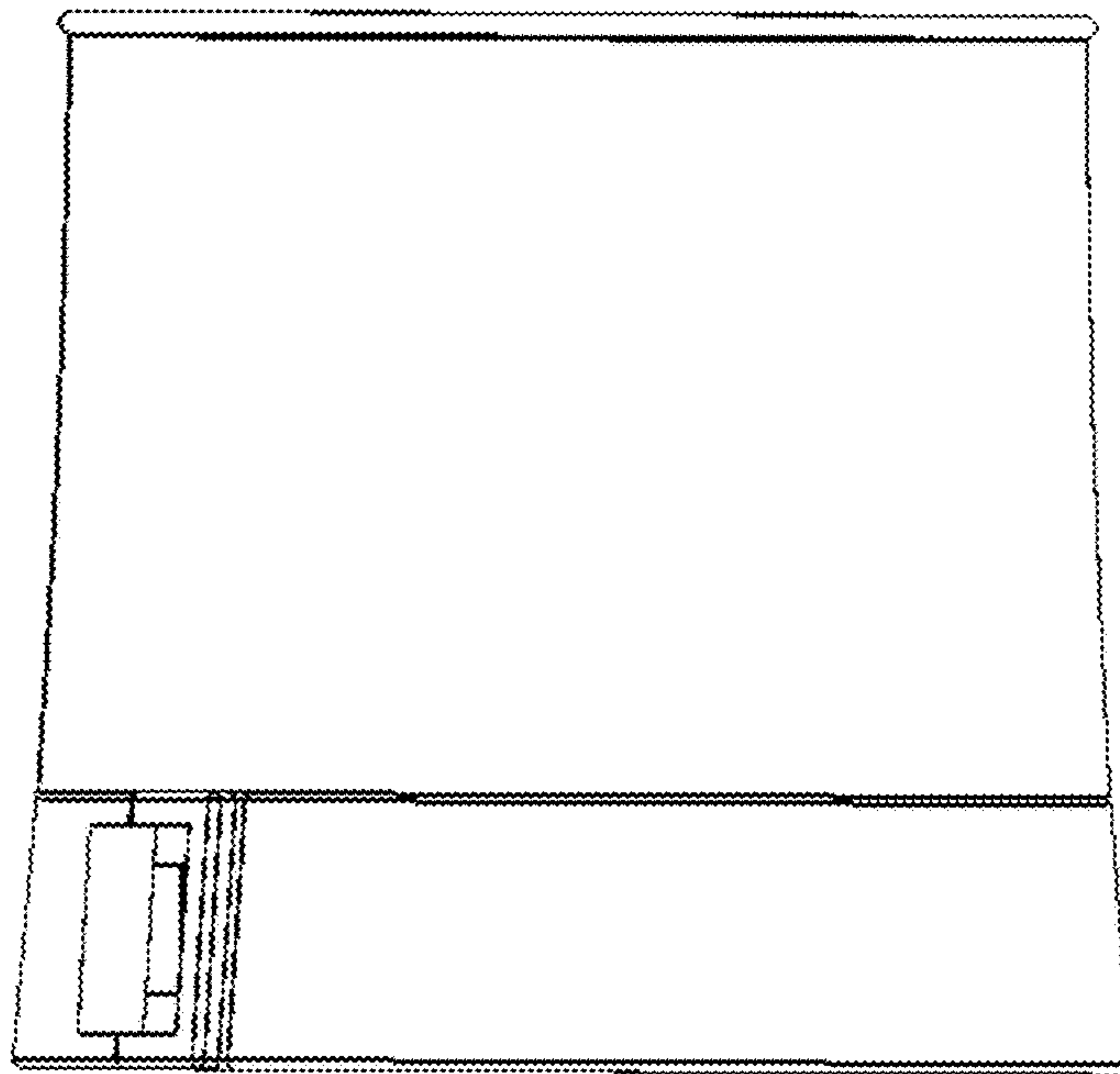
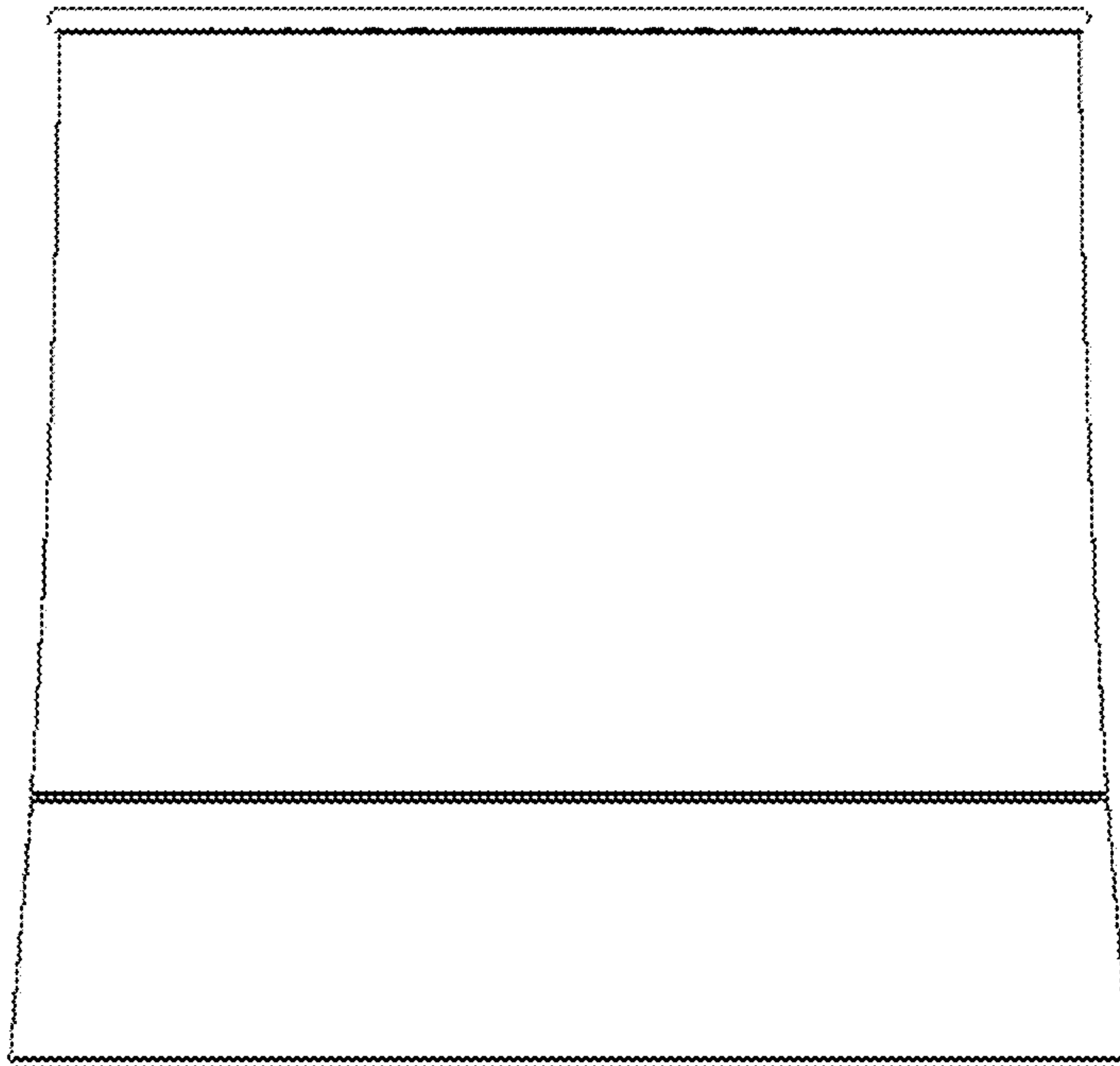


FIG. 5



*FIG. 6*



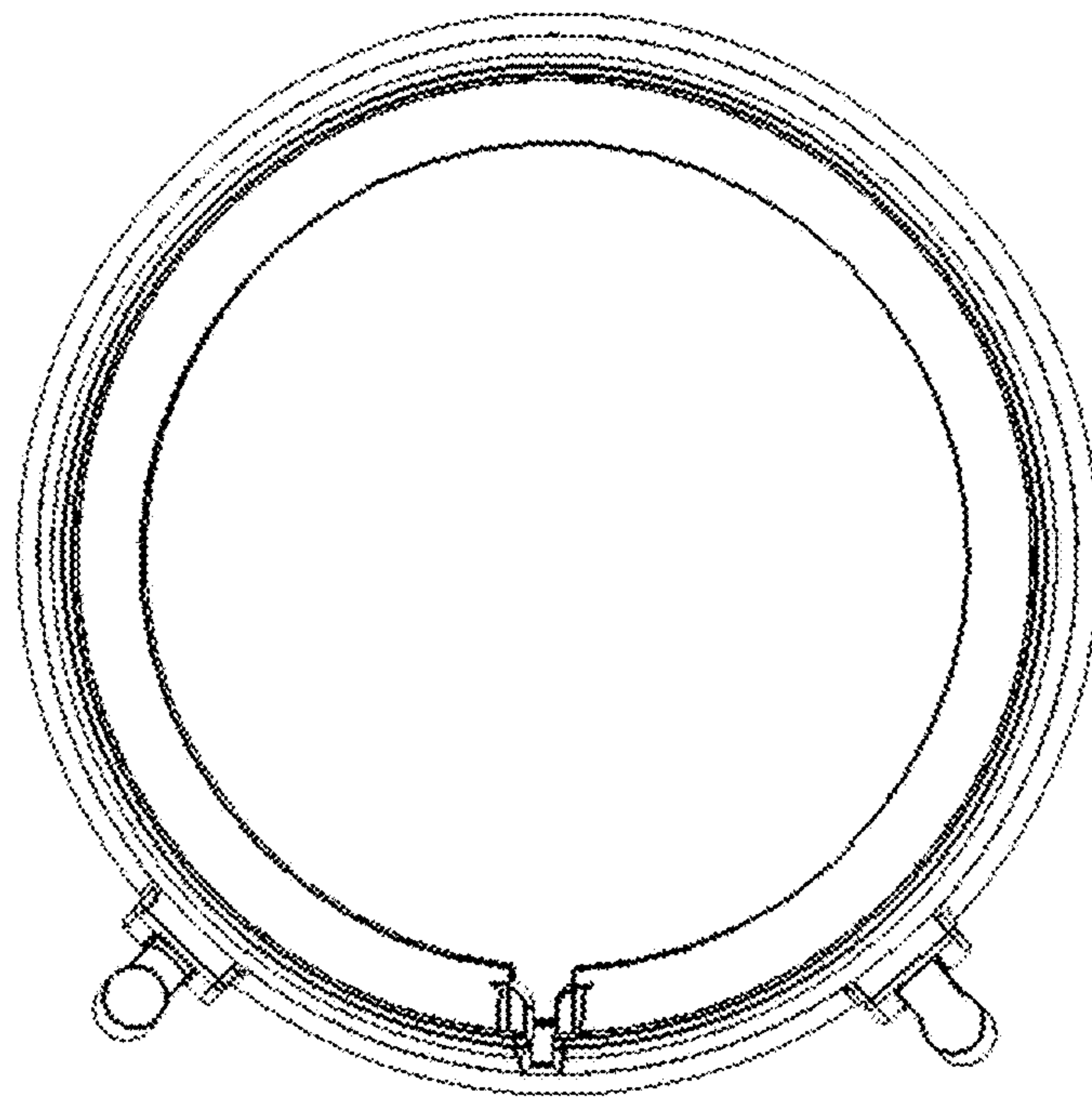


FIG. 7



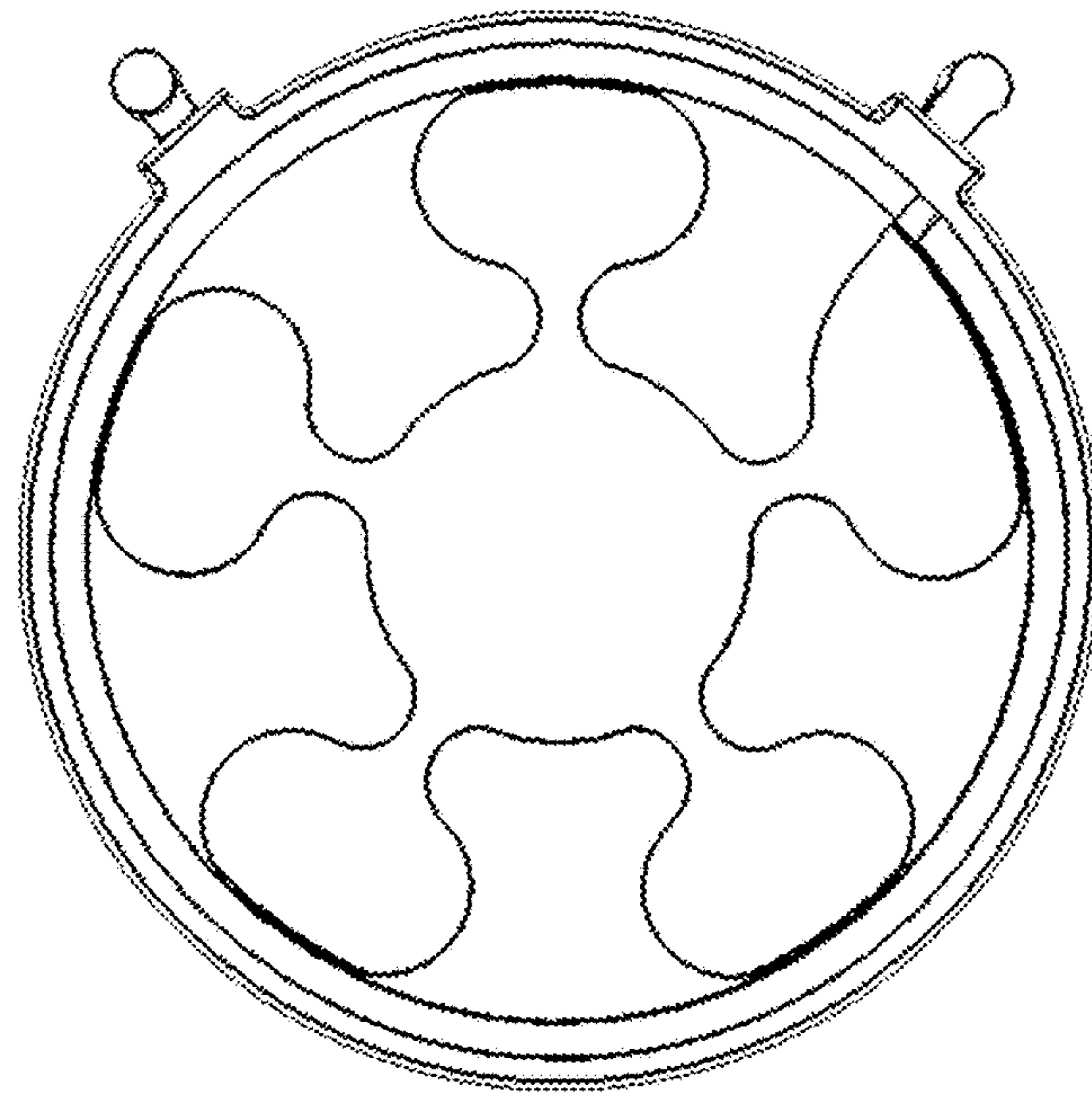


FIG. 8