



US00D780525S

(12) **United States Design Patent** (10) **Patent No.:** **US D780,525 S**  
**Jacobsen** (45) **Date of Patent:** **\*\* Mar. 7, 2017**

(54) **LUNCH BAG WITH CONVERTIBLE HANDLE**

(71) Applicant: **THERMOS L.L.C.**, Schaumburg, IL (US)

(72) Inventor: **Anne Jacobsen**, Carpentersville, IL (US)

(73) Assignee: **THERMOS L.L.C.**, Schaumburg (IL)

(\*\*) Term: **15 Years**

(21) Appl. No.: **29/546,589**

(22) Filed: **Nov. 24, 2015**

(51) **LOC (10) Cl.** ..... **07-01**

(52) **U.S. Cl.**  
USPC ..... **D7/607**

(58) **Field of Classification Search**

USPC ..... D3/213–217, 221, 222, 229–234, 239, D3/242–246, 254, 255, 256, 260, 261, D3/262, 278, 283, 289, 295, 318, 324, D3/902, 904; D7/605, 607, 608, 629, D7/632, 709; D9/702–706  
 CPC ..... A45C 1/00; A45C 2003/007; A45C 2007/004; A45C 3/08; A45C 3/10; A45C 5/00; A45C 5/03; A45C 7/00; A45C 9/00; A45C 11/20; A45C 13/008

See application file for complete search history.

(56) **References Cited**

U.S. PATENT DOCUMENTS

4,515,300 A \* 5/1985 Cohen ..... A45C 1/04  
224/153  
 D281,119 S \* 10/1985 Kalkus ..... 224/155  
 D316,177 S \* 4/1991 Strimpfel ..... D3/202

(Continued)

*Primary Examiner* — Carla Jobe Wright

*Assistant Examiner* — Lisa A Grabenstetter

(74) *Attorney, Agent, or Firm* — Polsinelli PC

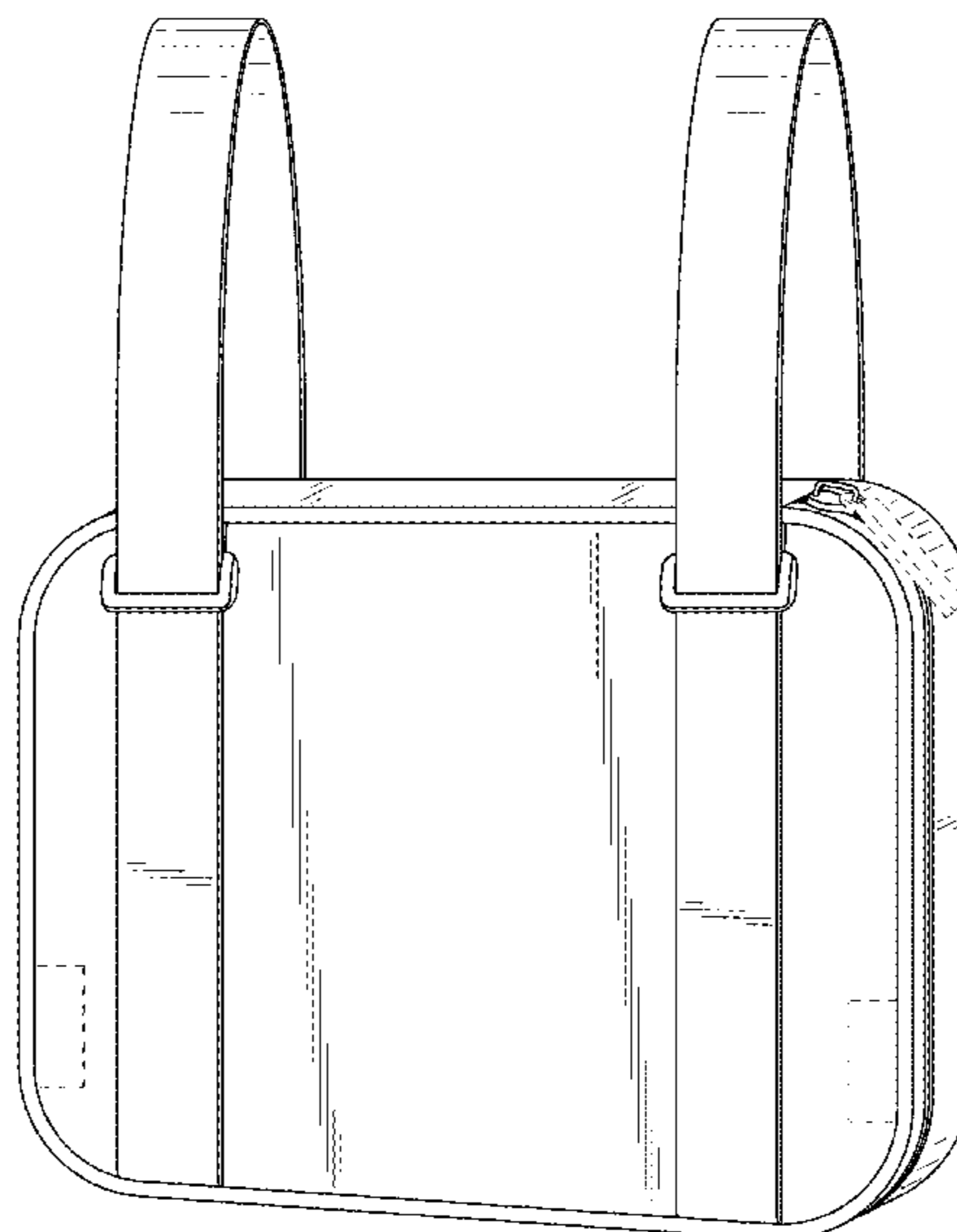
(57) **CLAIM**

The ornamental design for a lunch bag with convertible handle, as shown and described.

**DESCRIPTION**

FIG. 1 is a perspective view of a lunch bag with convertible handle, showing my new design;  
 FIG. 2 is a front view of the lunch bag with convertible handle in the first configuration;  
 FIG. 3 is a rear view of the lunch bag with convertible handle in the first configuration;  
 FIG. 4 is a right side view of the lunch bag with convertible handle in the first configuration;  
 FIG. 5 is a left side view of the lunch bag with convertible handle in the first configuration;  
 FIG. 6 is a top view of the lunch bag with convertible handle in the first configuration;  
 FIG. 7 is a bottom view of the lunch bag with convertible handle in the first configuration;  
 FIG. 8 is a perspective view of the lunch bag with convertible handle in a second configuration;  
 FIG. 9 is a front view of the lunch bag with convertible handle in the second configuration;  
 FIG. 10 is a rear view of the lunch bag with convertible handle in the second configuration;  
 FIG. 11 is a left side view of the lunch bag with convertible handle in the second configuration;  
 FIG. 12 is a right side view of the lunch bag with convertible handle in the second configuration;  
 FIG. 13 is a top view of the lunch bag with convertible handle in the second configuration; and,  
 FIG. 14 is a bottom view of the lunch bag with convertible handle in the second configuration.  
 The broken lines throughout the drawing figures depict environmental subject matter that forms no part of the claimed design.

**1 Claim, 12 Drawing Sheets**



(56)

**References Cited**

U.S. PATENT DOCUMENTS

5,481,767 A \* 1/1996 Lewis ..... A47G 9/062  
 190/2  
 5,779,112 A \* 7/1998 Krulik ..... A45C 9/00  
 224/155  
 D431,968 S \* 10/2000 Worley ..... D7/607  
 D435,962 S \* 1/2001 Kohlhase ..... D3/216  
 D458,018 S \* 6/2002 Mentken ..... D3/203.4  
 D485,432 S \* 1/2004 Desrochers ..... D3/214  
 D498,585 S \* 11/2004 Darling ..... D12/416  
 D505,258 S \* 5/2005 Bird ..... D3/216  
 D506,864 S \* 7/2005 Fonfeder ..... D3/216  
 D522,811 S \* 6/2006 Martinez ..... D7/607  
 D545,056 S \* 6/2007 Leighton ..... D3/217  
 D670,904 S \* 11/2012 Gerchen ..... D3/217  
 D674,246 S \* 1/2013 Scott ..... D7/607  
 D707,040 S \* 6/2014 Pittman ..... D3/205  
 2002/0170935 A1 \* 11/2002 Annis ..... A45C 15/00  
 224/653  
 2003/0042277 A1 \* 3/2003 Gulmatico, III ..... A45C 7/0077  
 224/153  
 2005/0056668 A1 \* 3/2005 Aris ..... A45C 9/00  
 224/153  
 2005/0103817 A1 \* 5/2005 Glankler ..... A45C 7/0086  
 224/583  
 2006/0102673 A1 \* 5/2006 Collier ..... A45C 7/0068  
 224/581  
 2011/0278337 A1 \* 11/2011 Chiu ..... A45F 4/02  
 224/637  
 2012/0248163 A1 \* 10/2012 Biddle ..... A45C 7/0022  
 224/275

\* cited by examiner

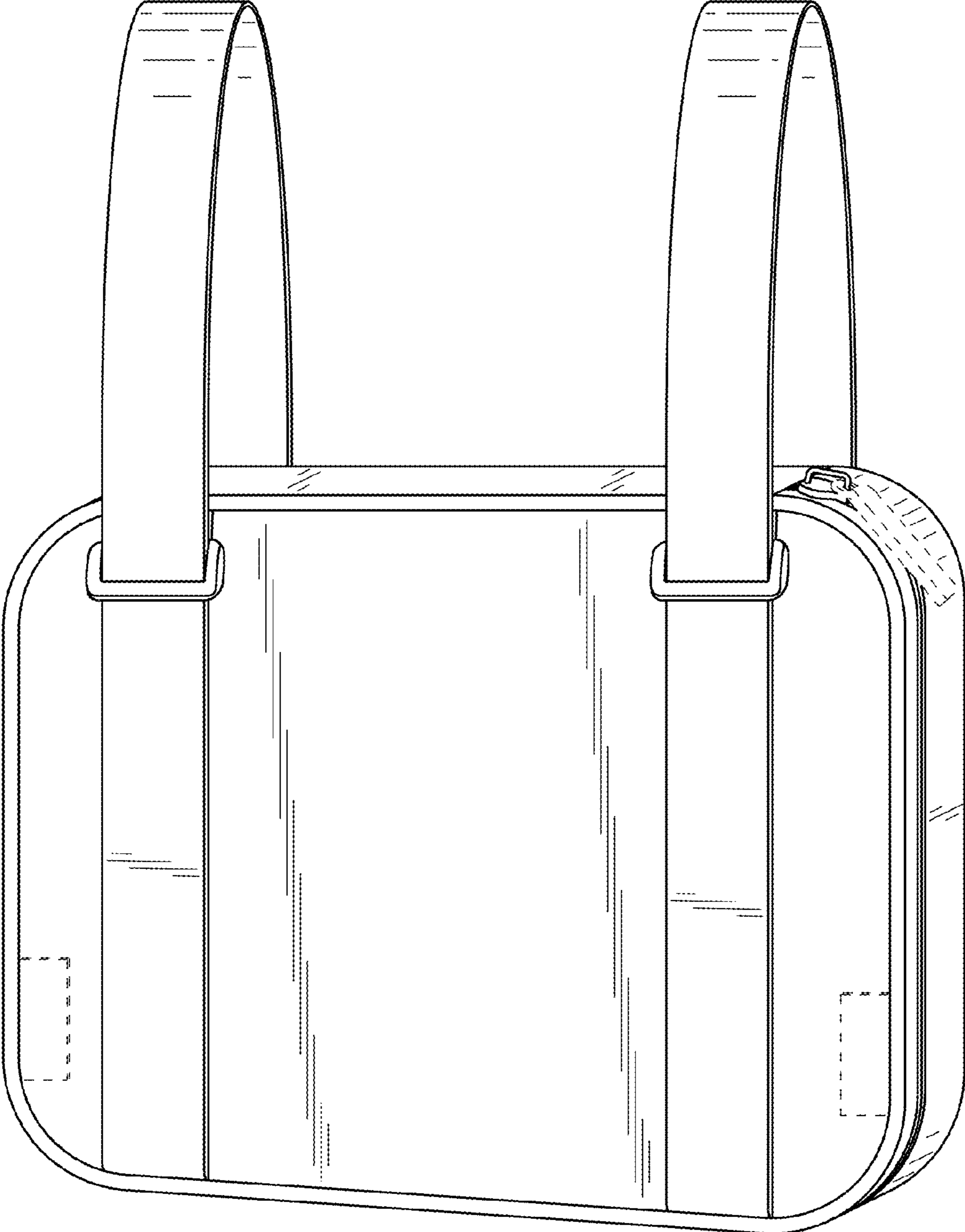


FIG. 1

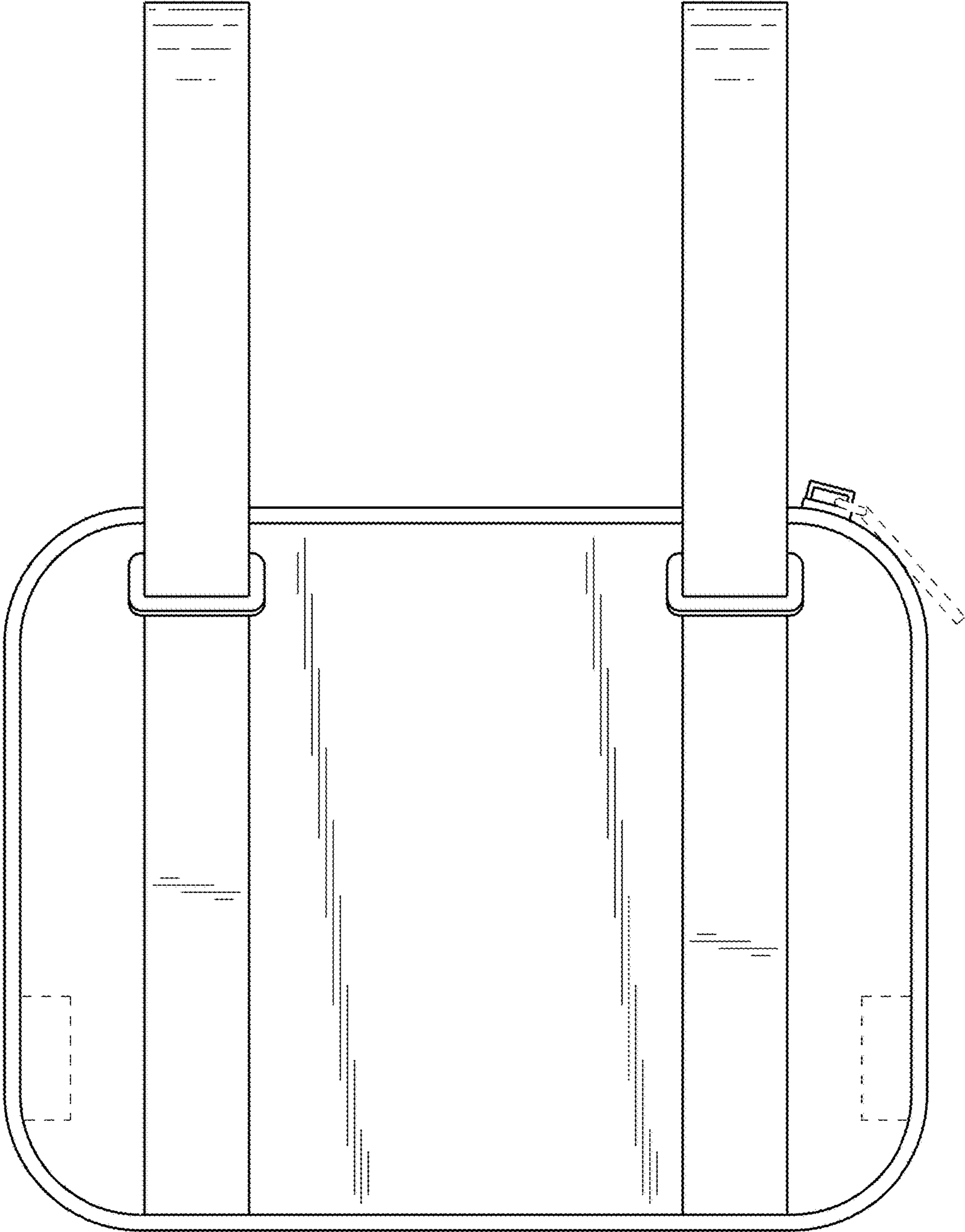


FIG. 2

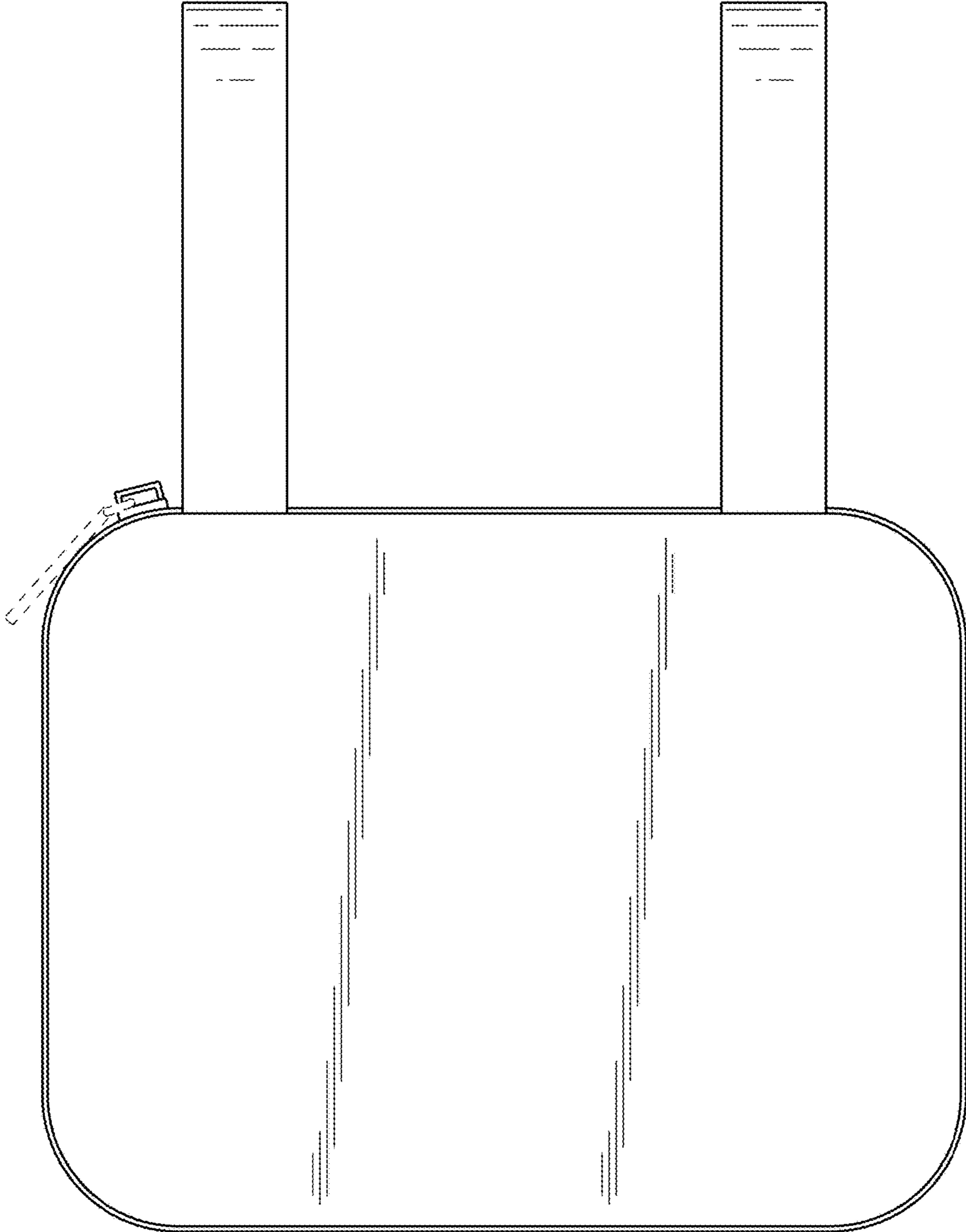


FIG. 3

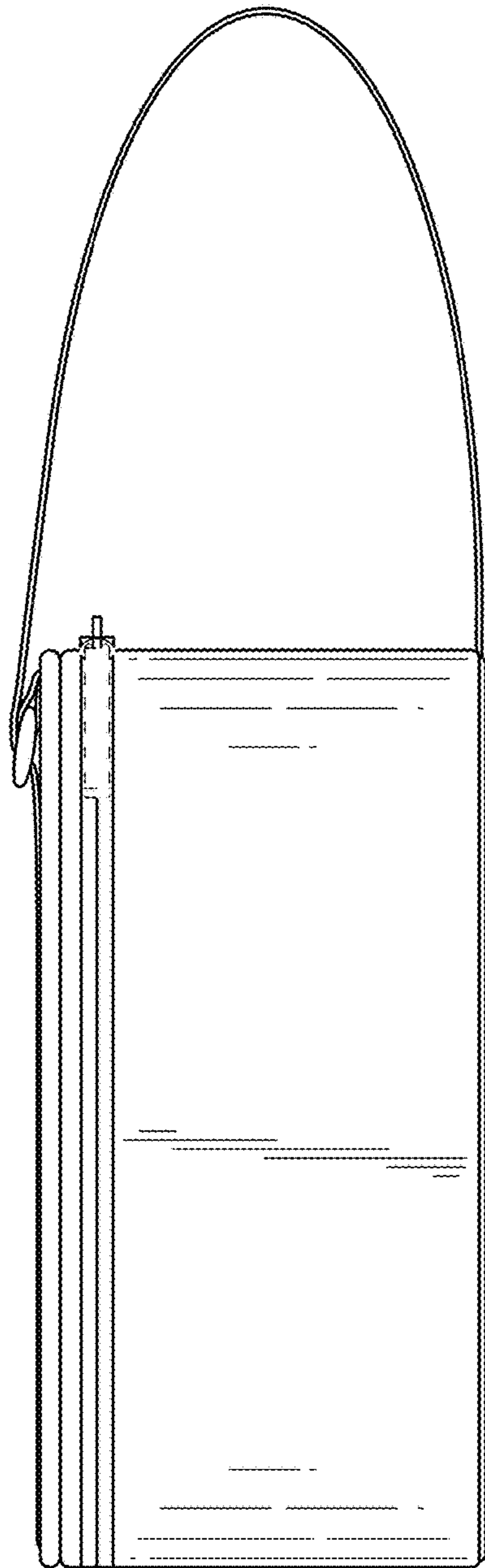


FIG. 4

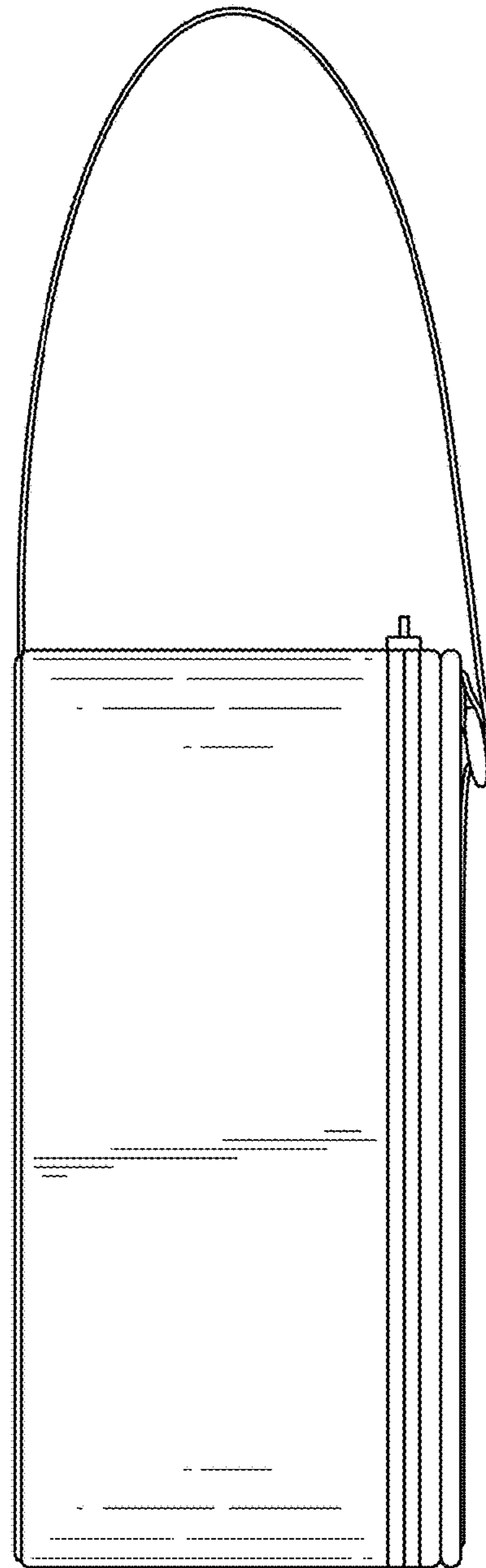


FIG. 5

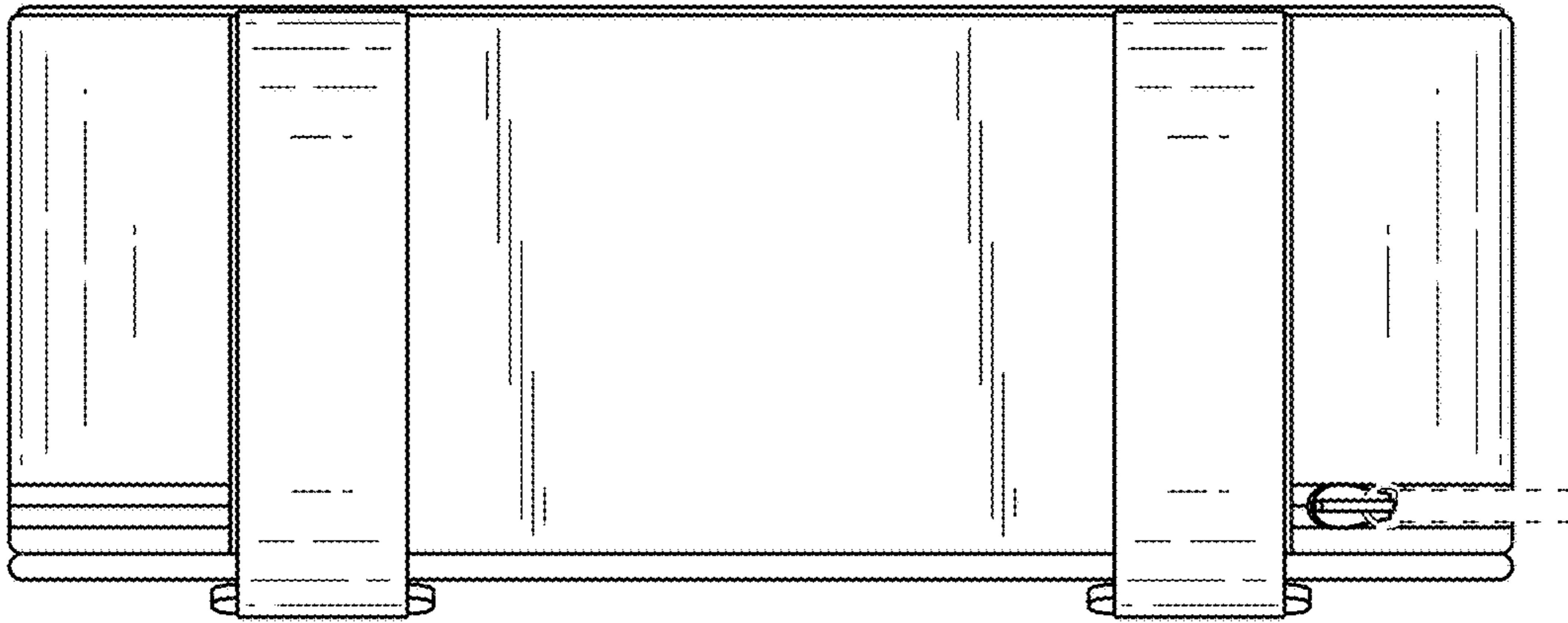


FIG. 6

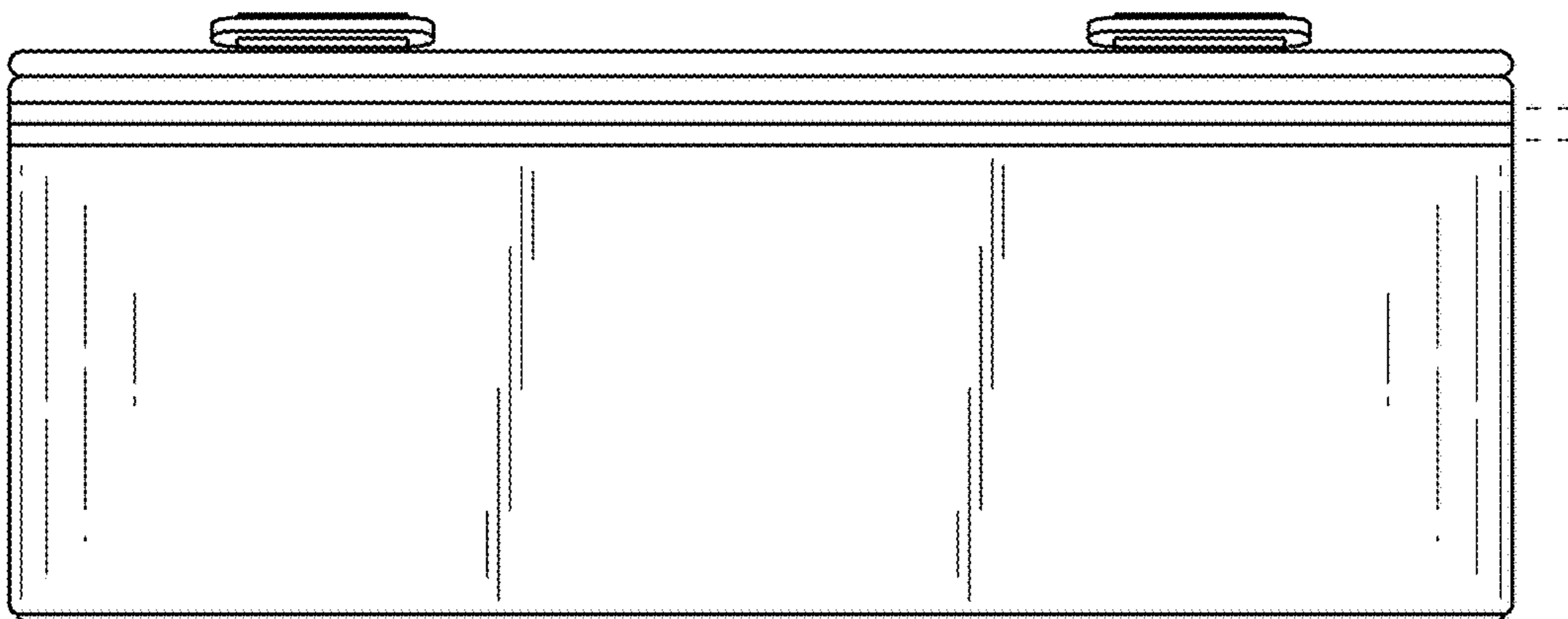


FIG. 7

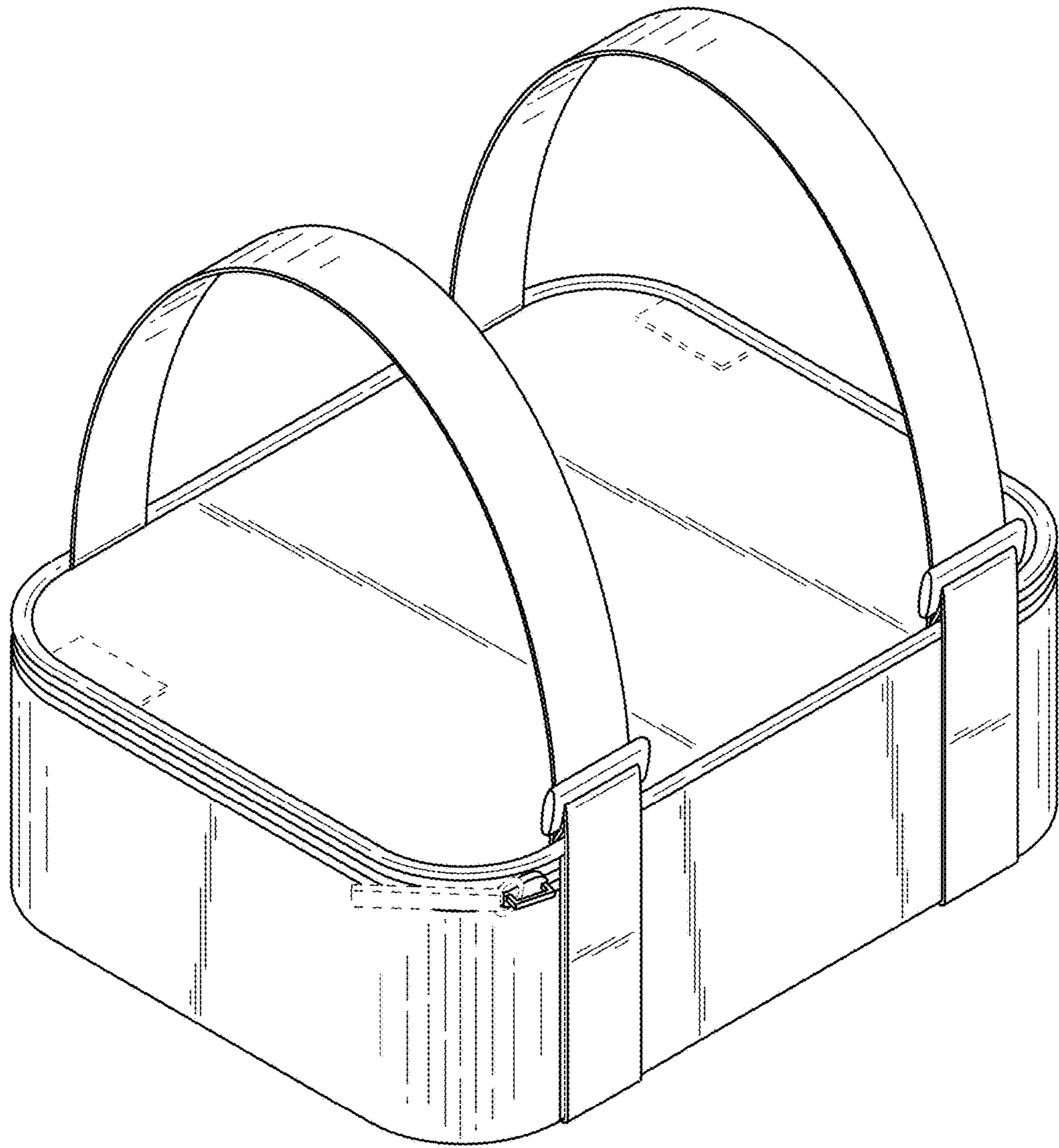


FIG. 8



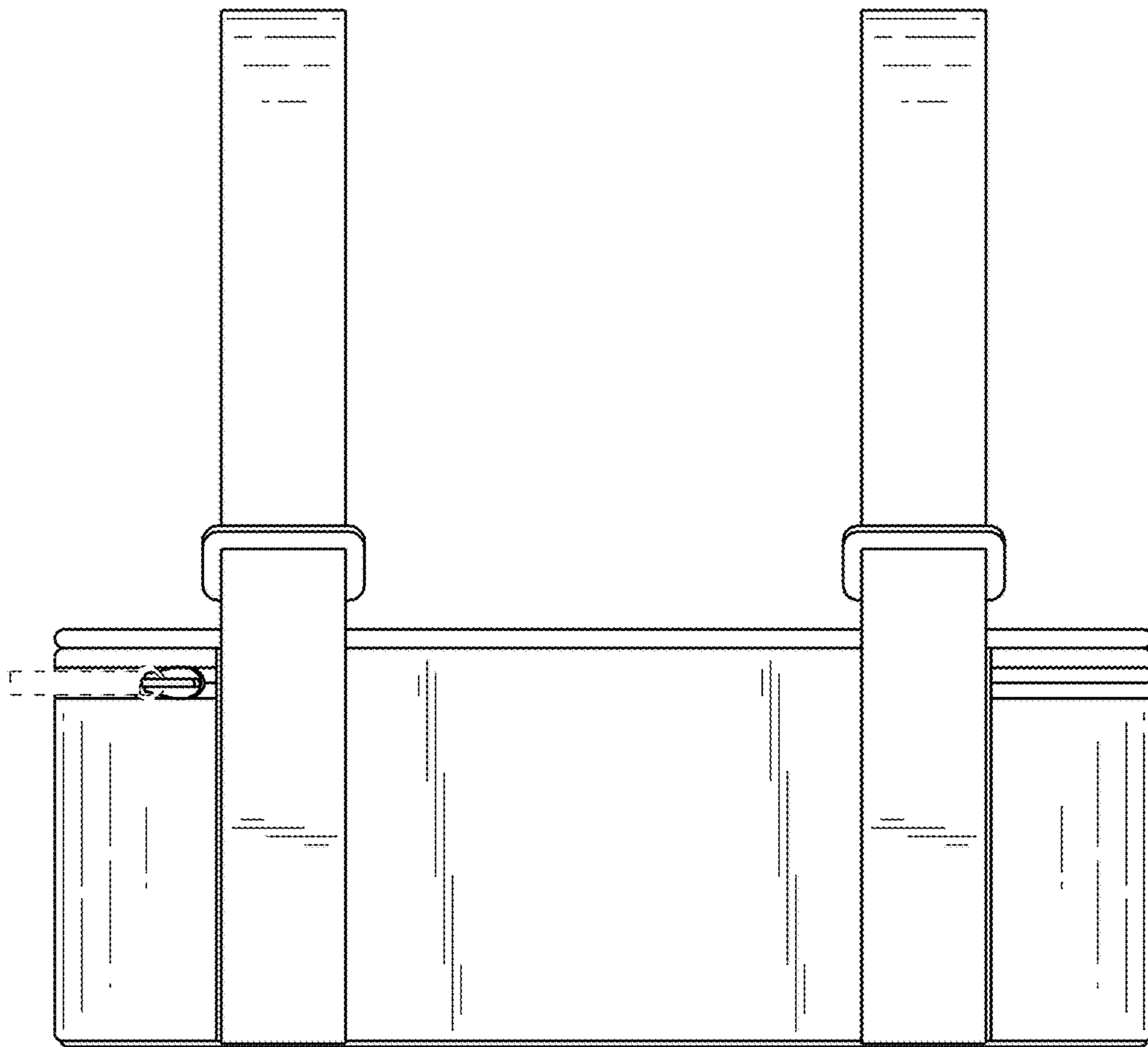


FIG. 9

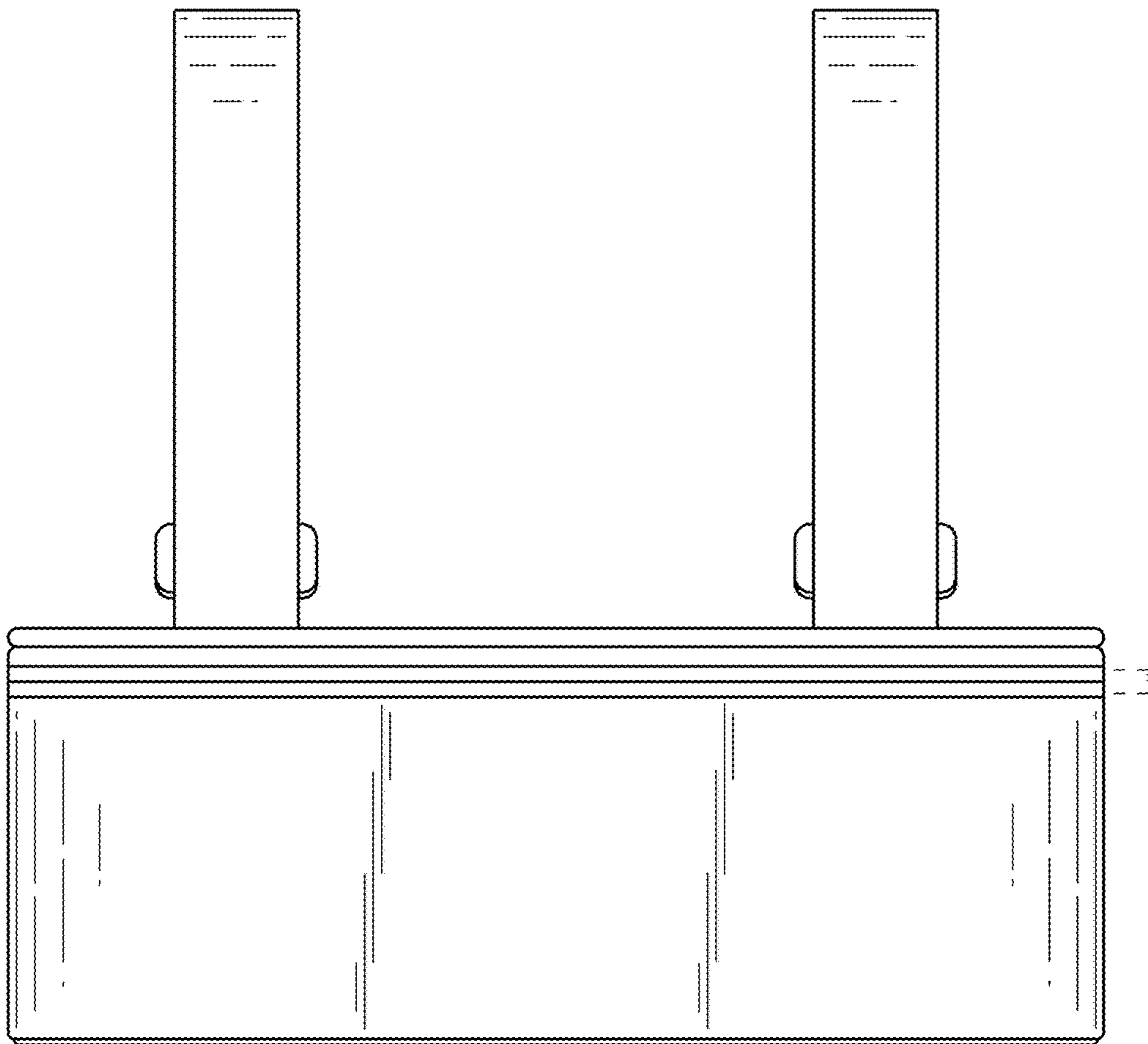


FIG. 10

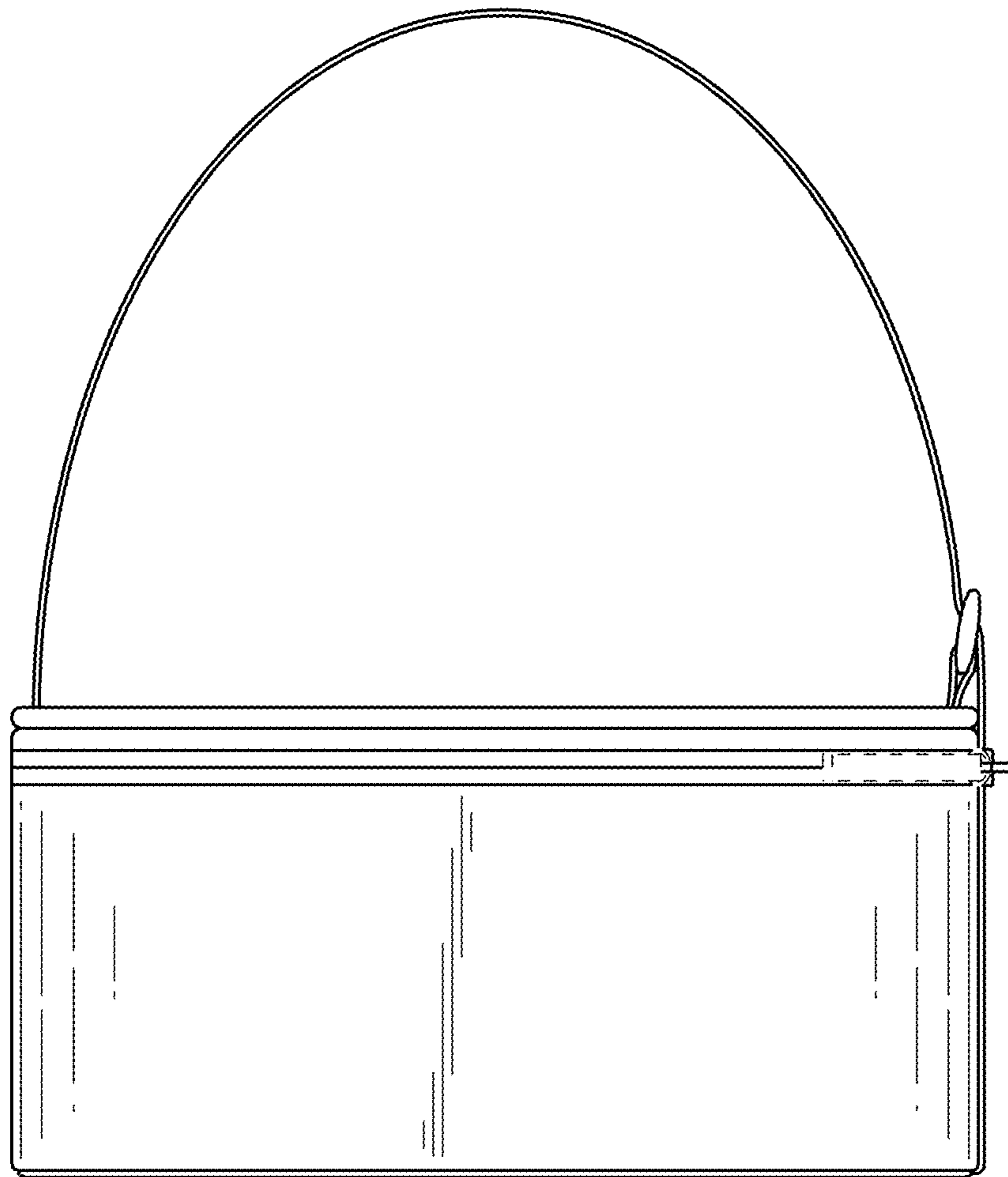


FIG. 11

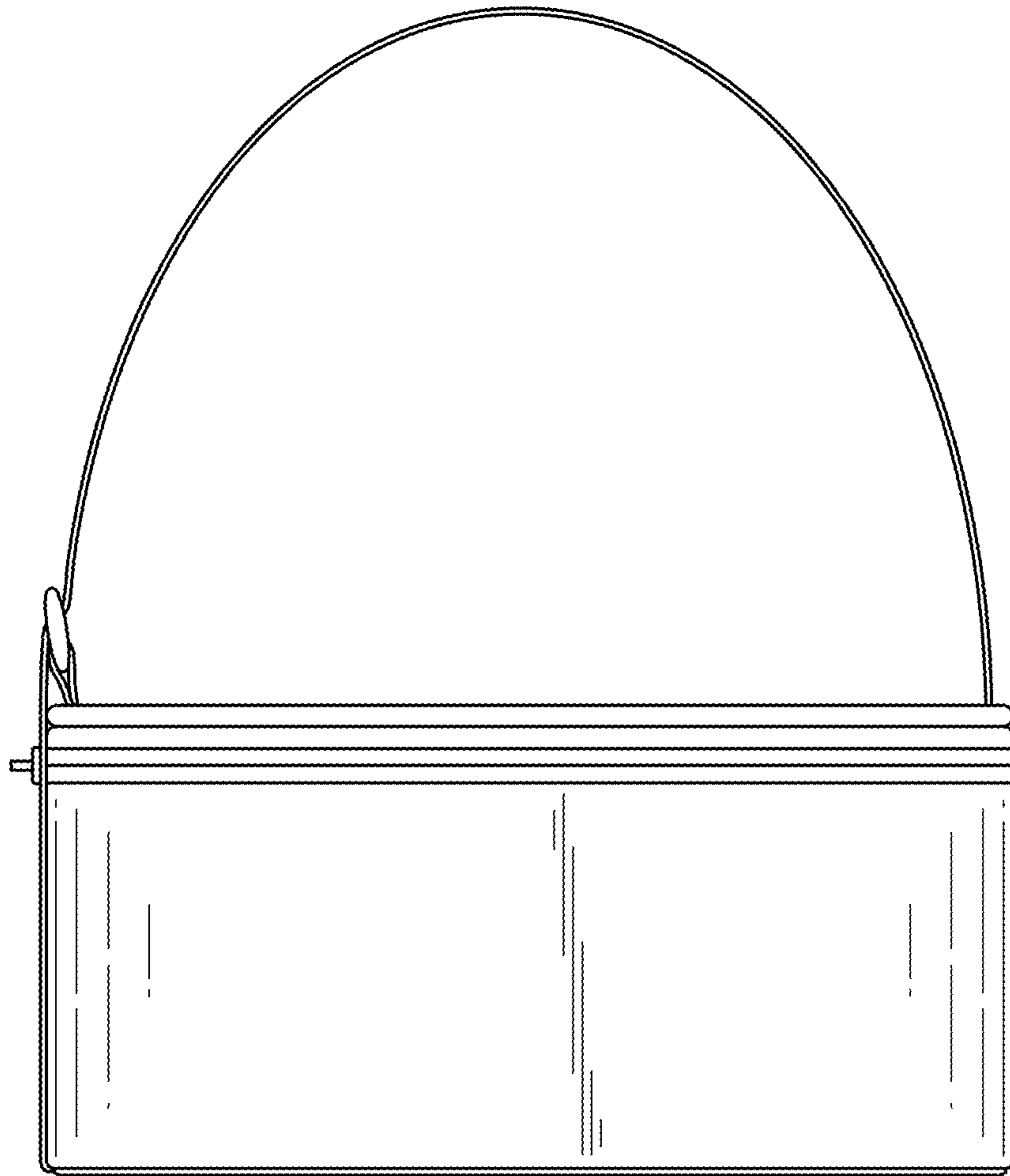


FIG. 12

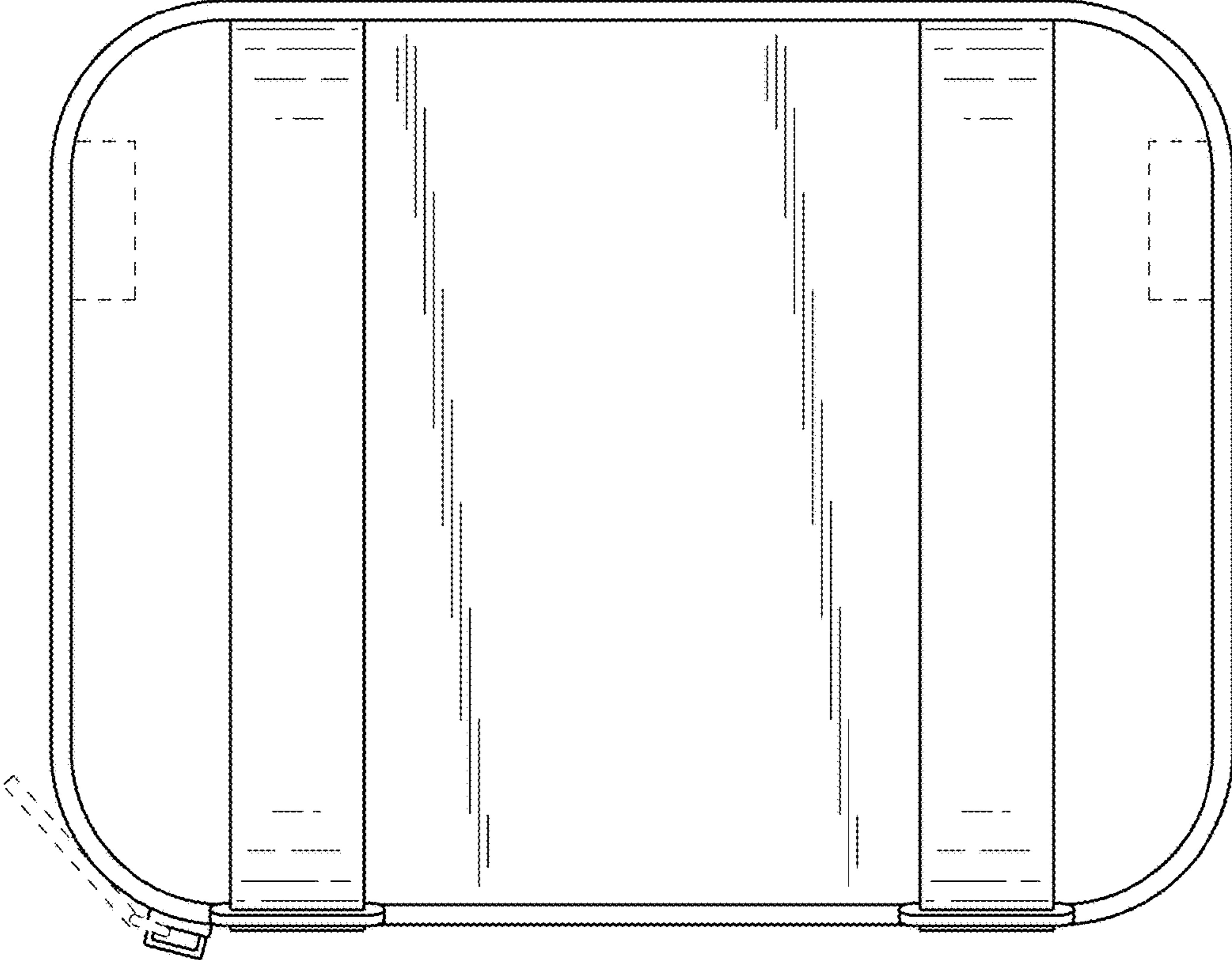


FIG. 13

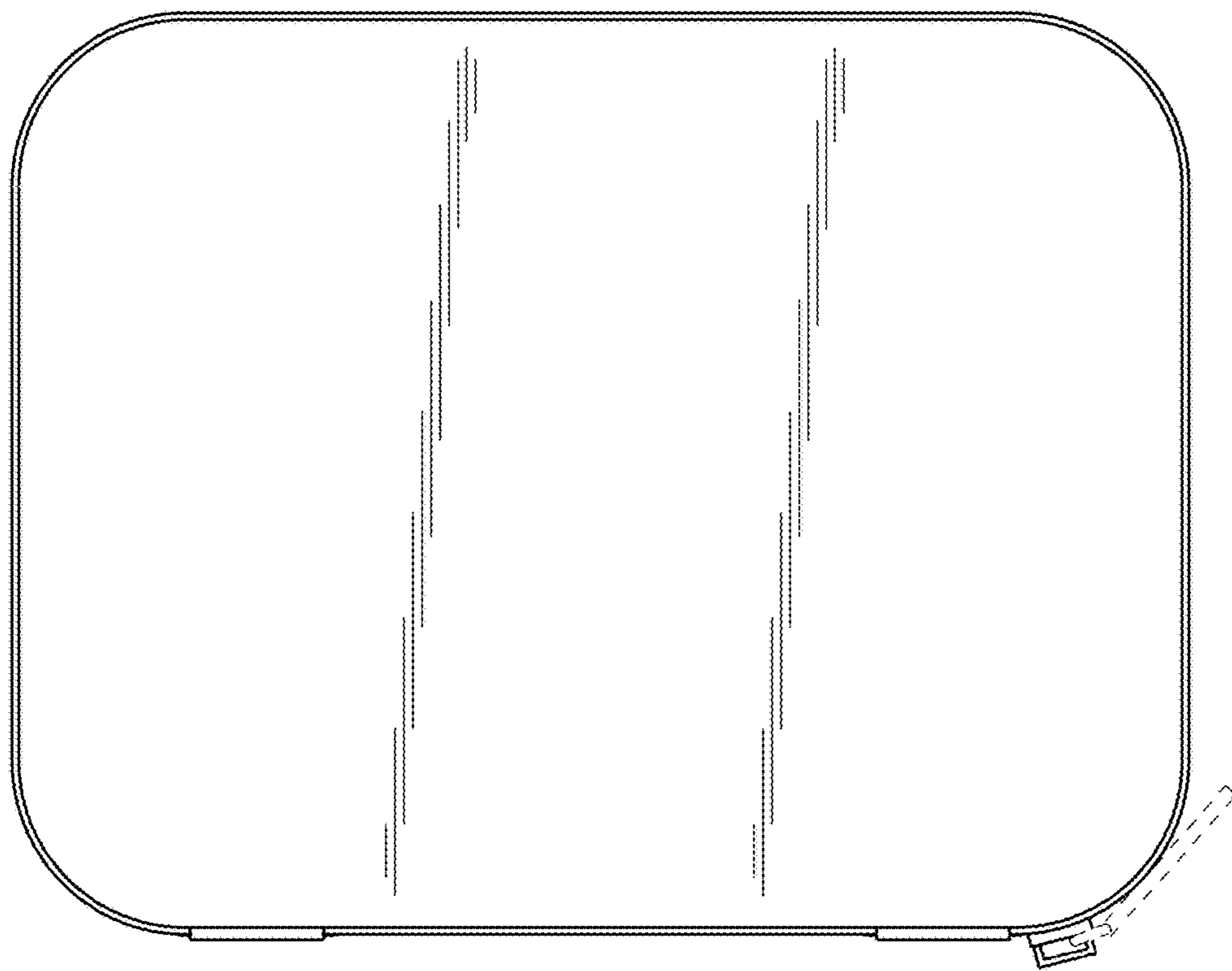


FIG. 14