



US00D780521S

(12) **United States Design Patent**  
**Garcia et al.**

(10) **Patent No.:** **US D780,521 S**  
(45) **Date of Patent:** **\*\* Mar. 7, 2017**

(54) **ICE CHEST WITH ATTACHED UMBRELLA HOLDER**

(71) Applicants: **Philip Garcia**, Cerritos, CA (US);  
**Gloria Garcia**, Cerritos, CA (US)

(72) Inventors: **Philip Garcia**, Cerritos, CA (US);  
**Gloria Garcia**, Cerritos, CA (US)

(\*\*) Term: **14 Years**

(21) Appl. No.: **29/503,954**

(22) Filed: **Sep. 30, 2014**

(51) **LOC (10) Cl.** ..... **07-01**

(52) **U.S. Cl.**  
USPC ..... **D7/605**

(58) **Field of Classification Search**  
USPC ..... D3/273; D7/602, 605, 629; 62/239;  
220/915.1, 915.2  
CPC ..... B60H 1/32  
See application file for complete search history.

(56) **References Cited**

**U.S. PATENT DOCUMENTS**

- 4,873,841 A \* 10/1989 Bradshaw ..... A45C 5/14  
280/47.17
- D429,606 S \* 8/2000 Israel ..... D7/605
- D613,560 S \* 4/2010 Robichaud ..... D7/605

**OTHER PUBLICATIONS**

Vimeo, (Official) uCOOLER on kickstarter.com, publication date Mar. 22, 2015, [site visited Jun. 7, 2016], Available on the Internet URL:<<https://vimeo.com/122908965>>.\*

\* cited by examiner

*Primary Examiner* — Susan Bennett Hattan

*Assistant Examiner* — S. Bryan Reinholdt, Jr.

(74) *Attorney, Agent, or Firm* — Thomas I. Rozsa

(57) **CLAIM**

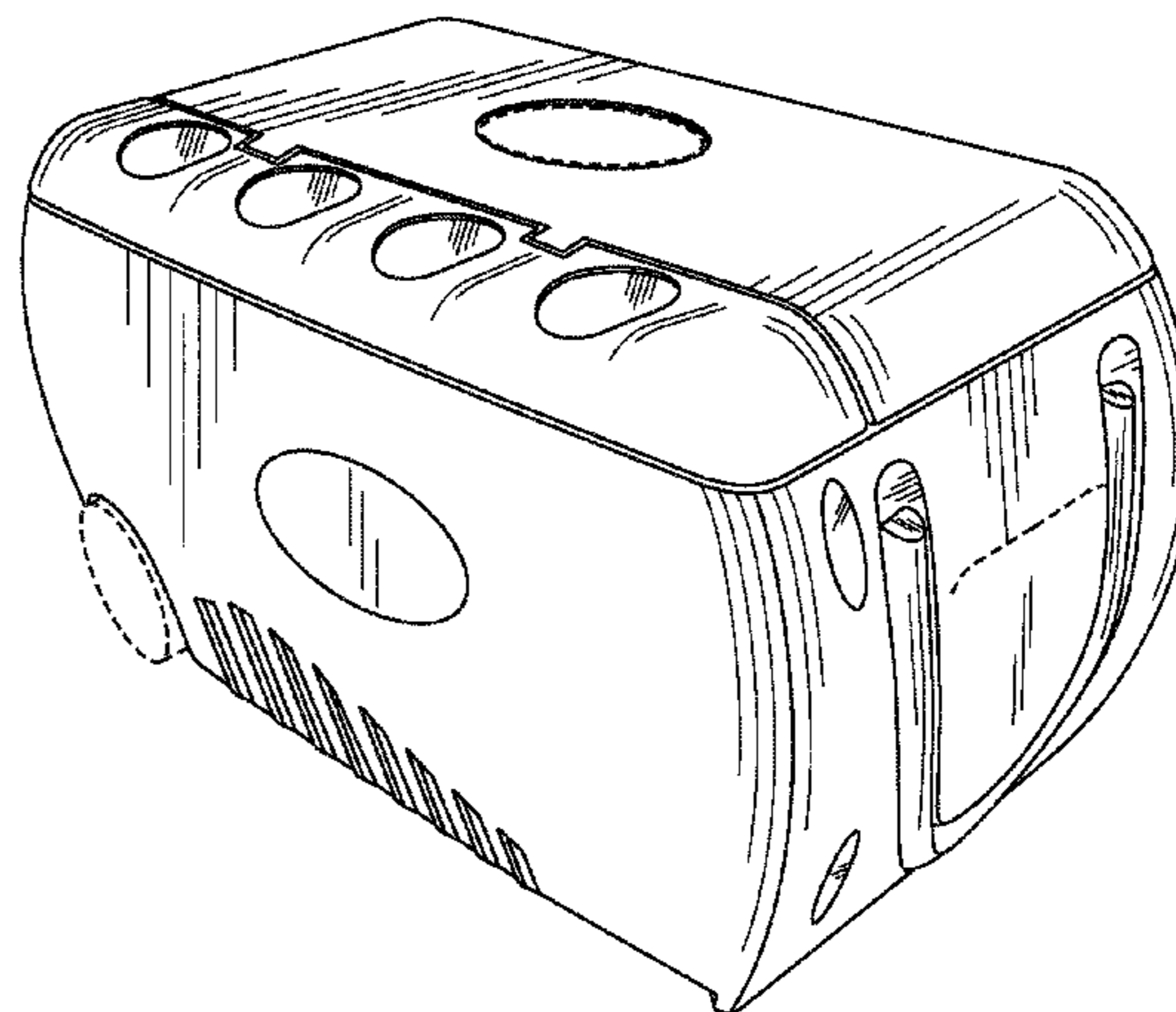
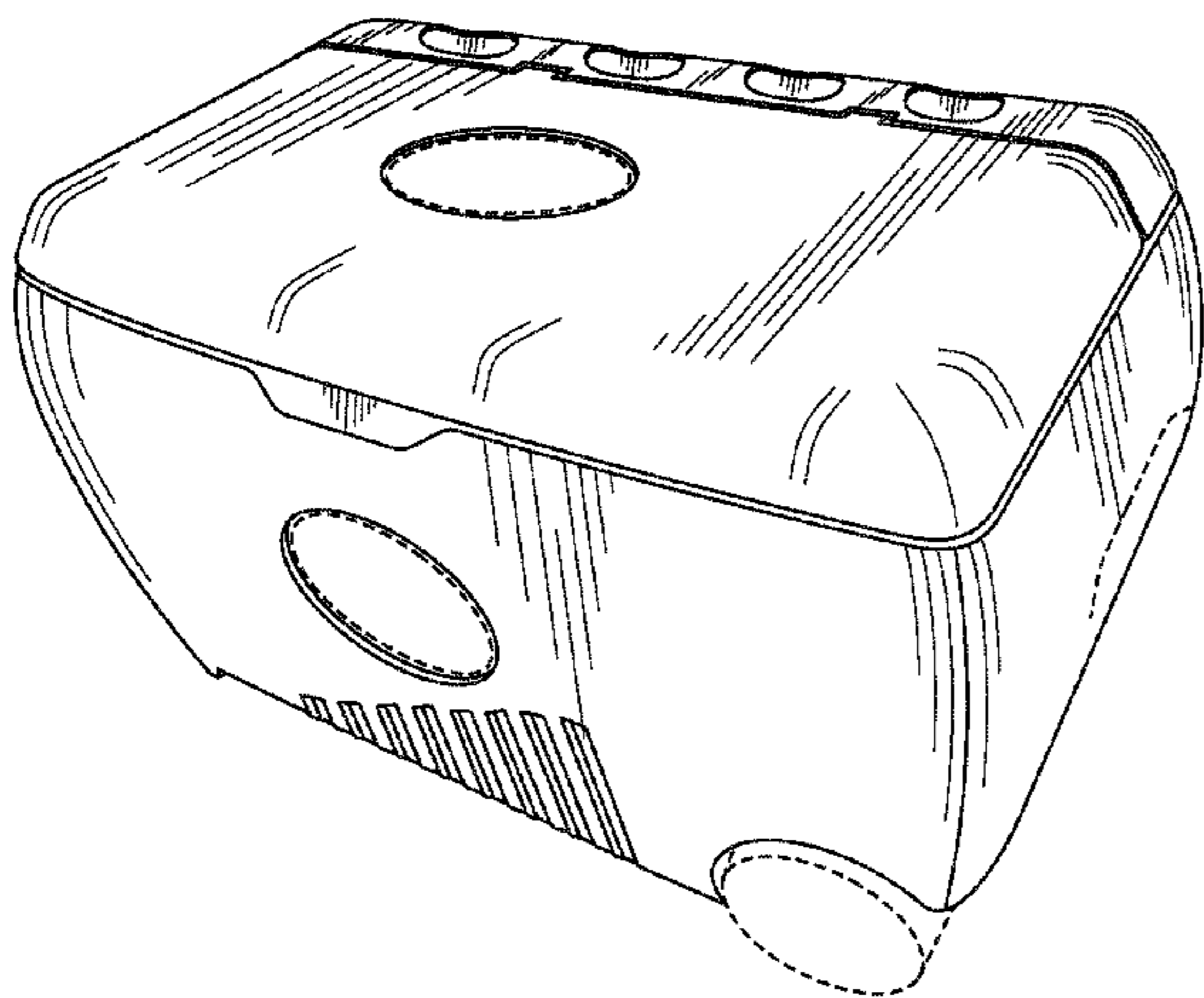
The ornamental design for an ice chest with attached umbrella holder, as shown and described.

**DESCRIPTION**

FIG. 1 is a front perspective view of the ice chest with attached umbrella holder showing my new design; FIG. 2 is a rear perspective view thereof; FIG. 3 is top view thereof; FIG. 4 is a bottom view thereof; FIG. 5 is a front view thereof; FIG. 6 is a rear view thereof; FIG. 7 is a left side view thereof; and, FIG. 8 is a right side view thereof.

The broken lines in the figures illustrate wheels that form no part of the claimed design. The broken lines inside the oval shape in FIG. 5 depict the boundary of the claim and form no part of the claim.

**1 Claim, 8 Drawing Sheets**



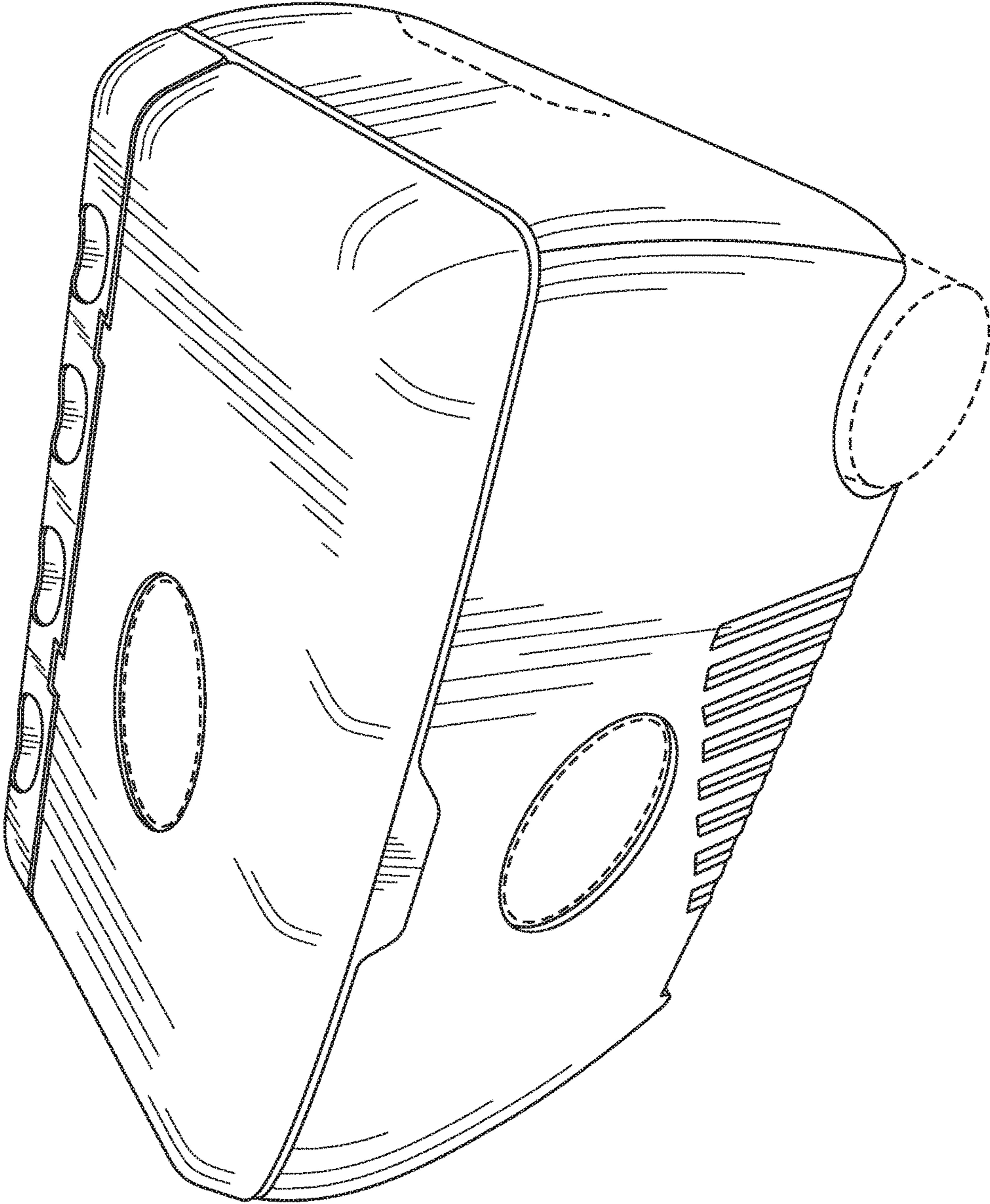


FIG. 1

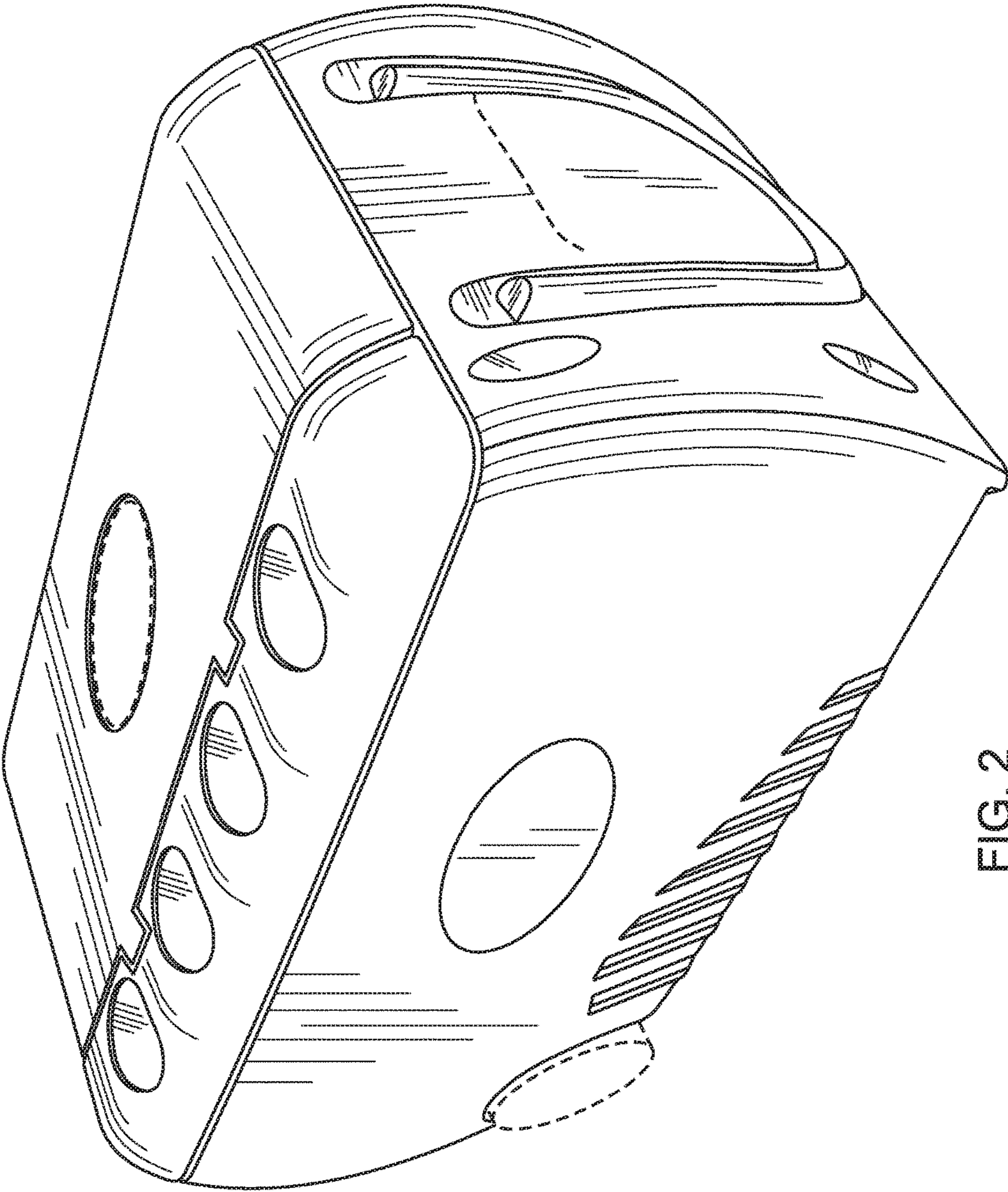


FIG. 2

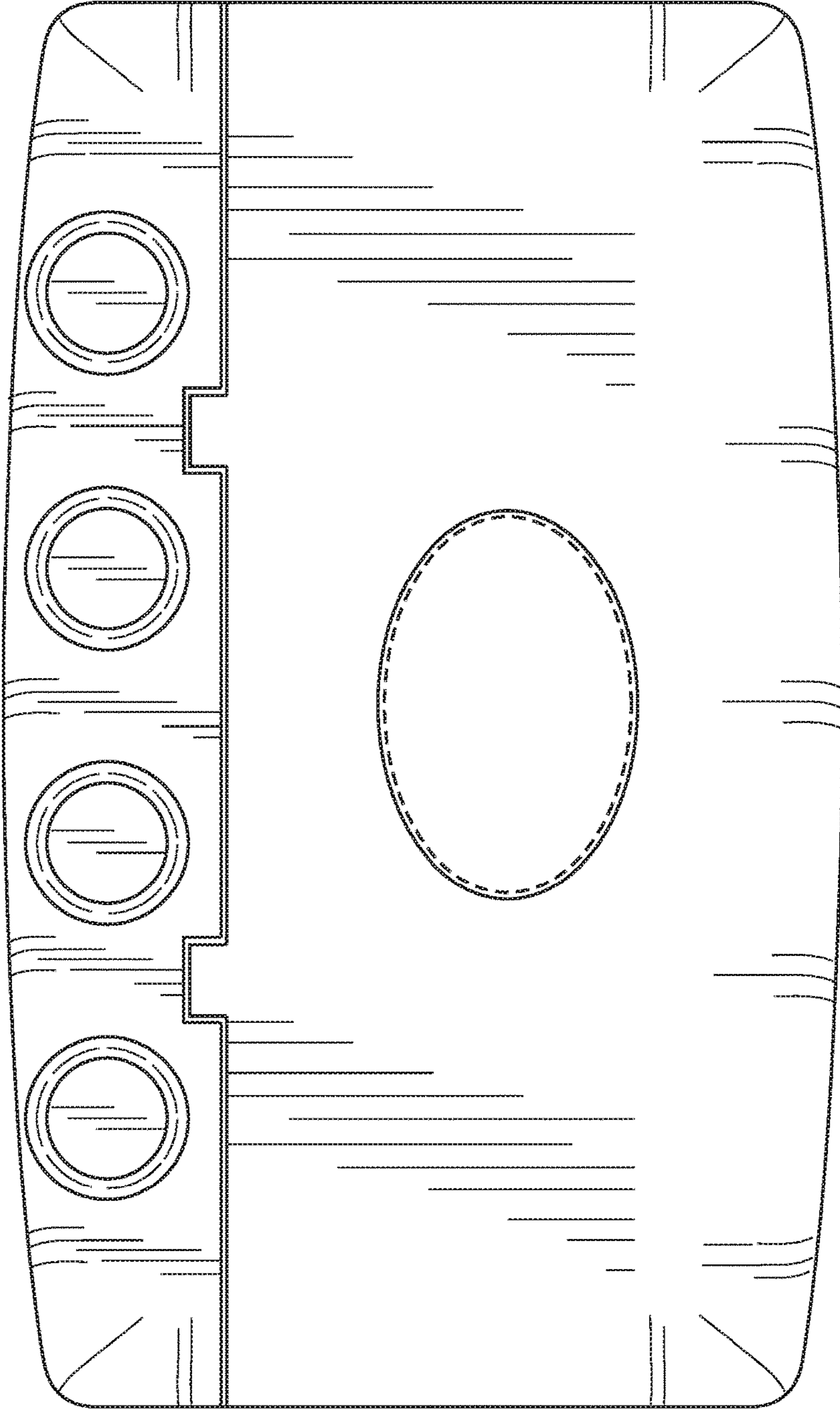


FIG. 3

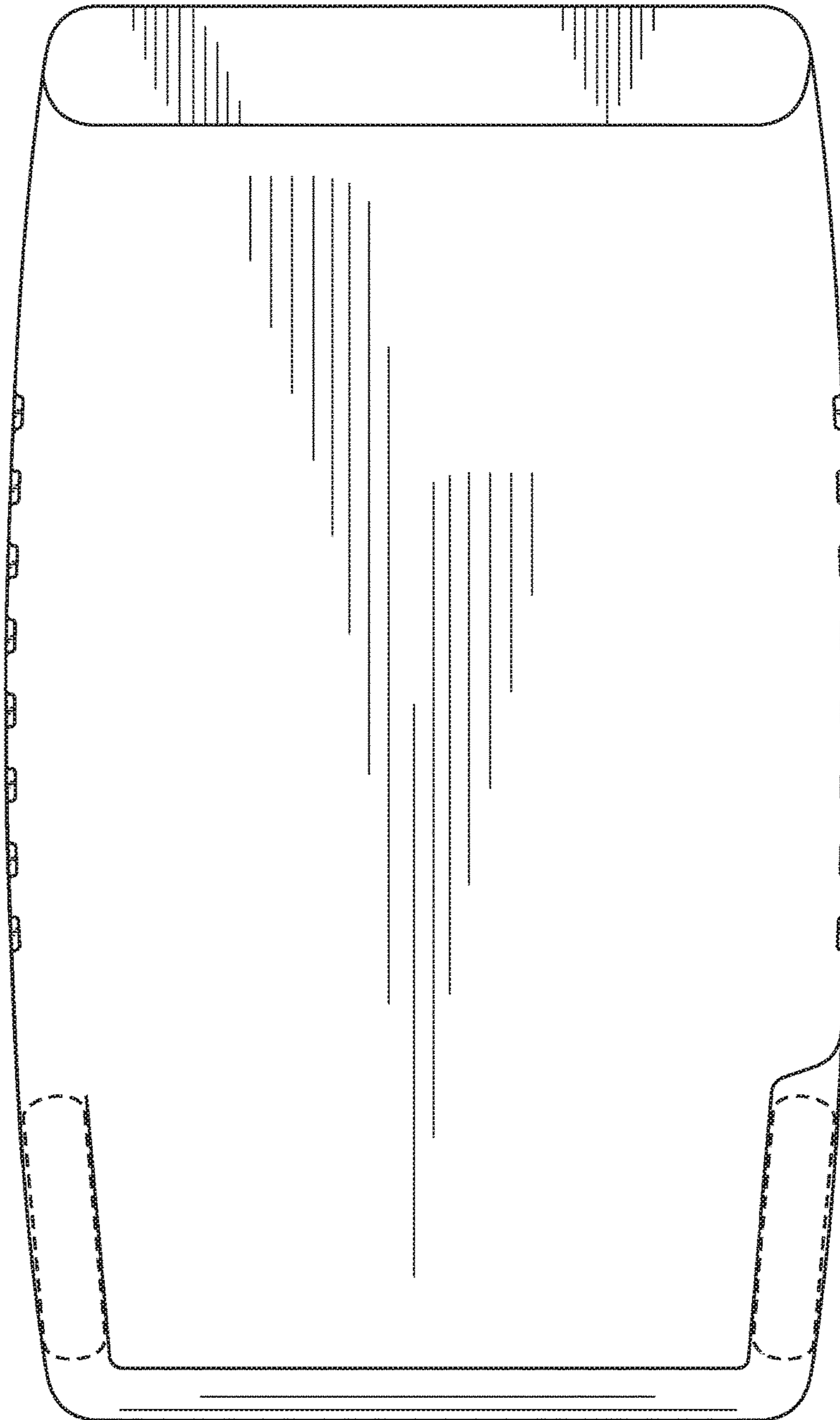


FIG. 4

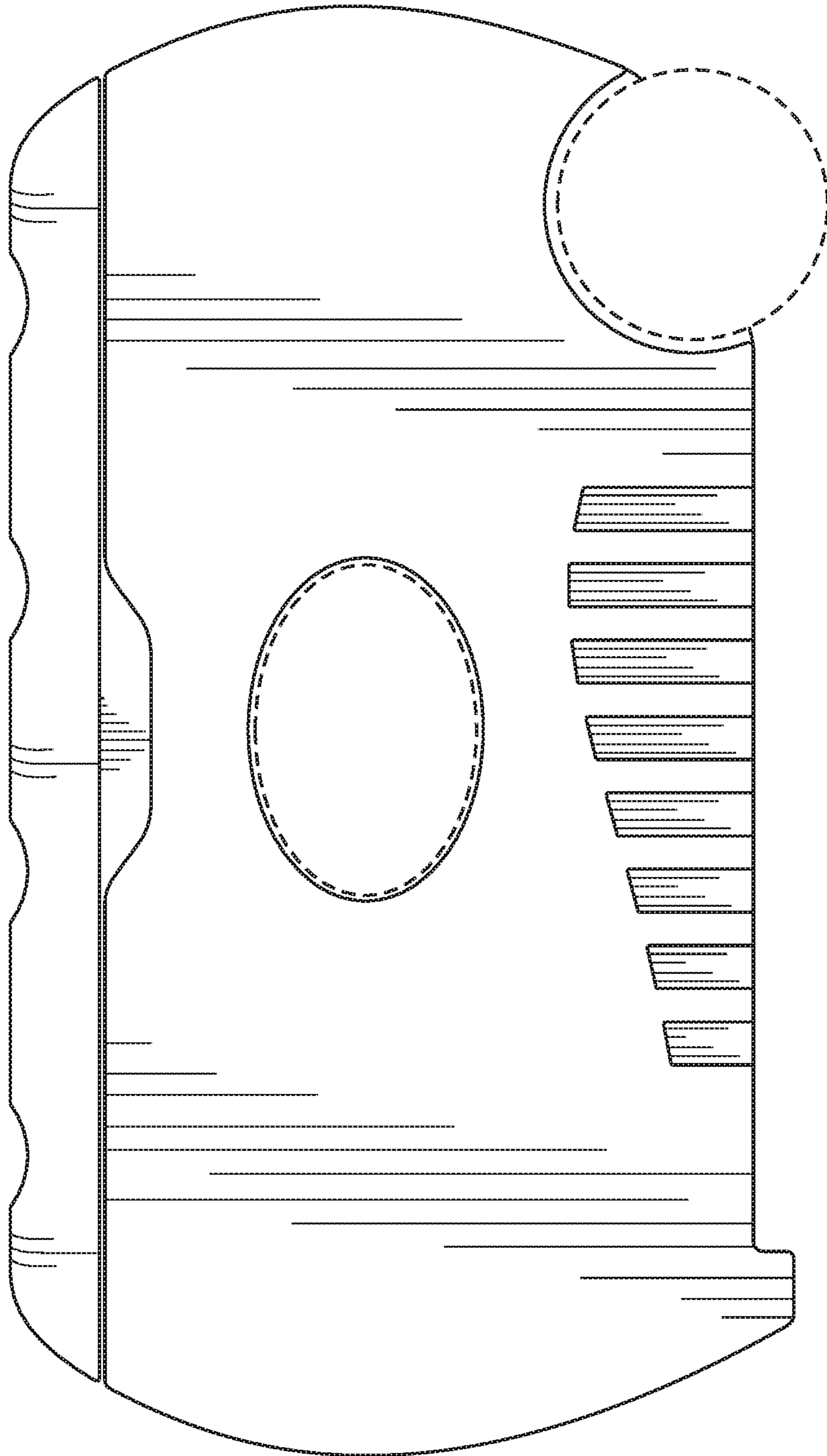


FIG. 5

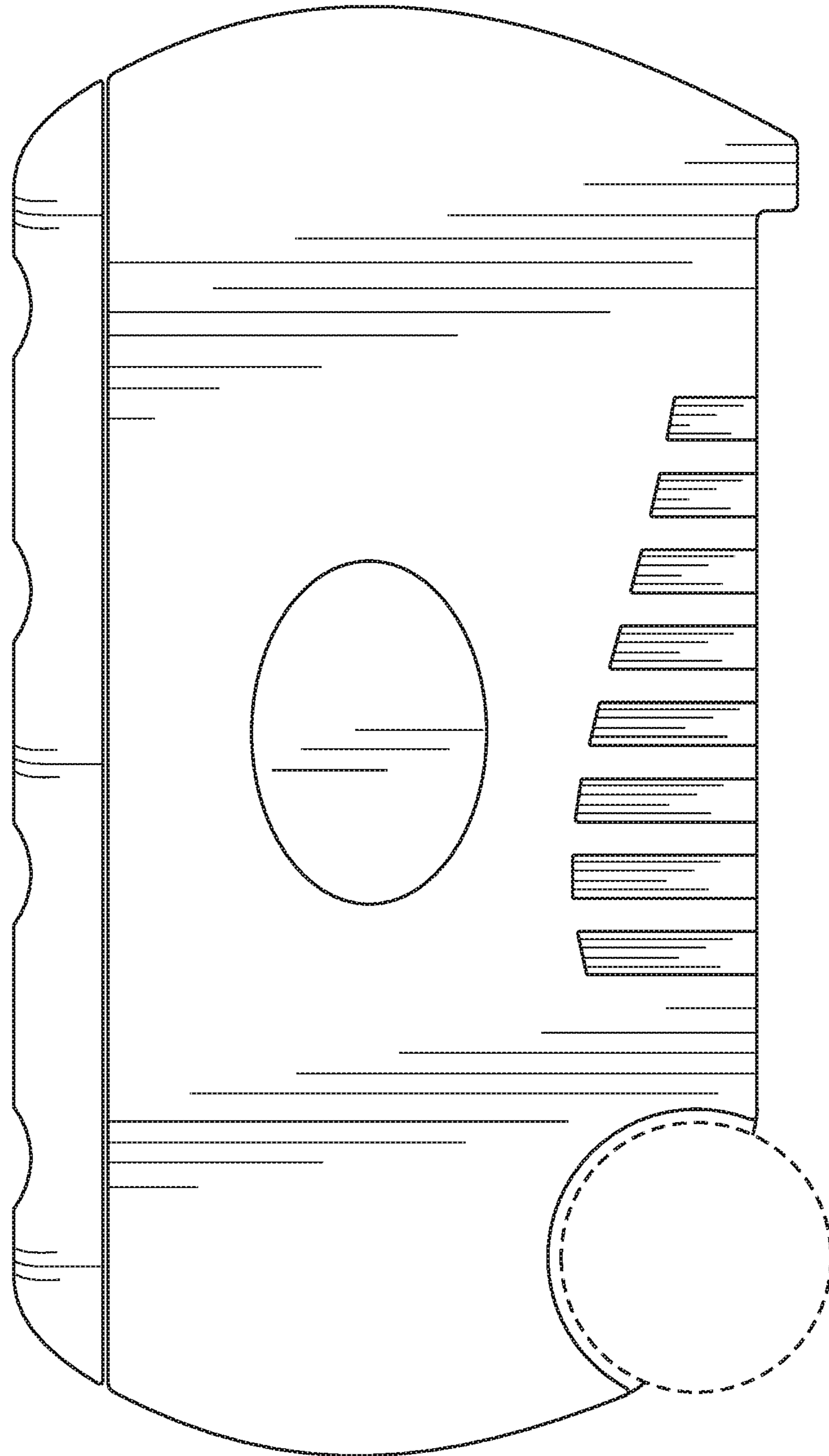


FIG. 6

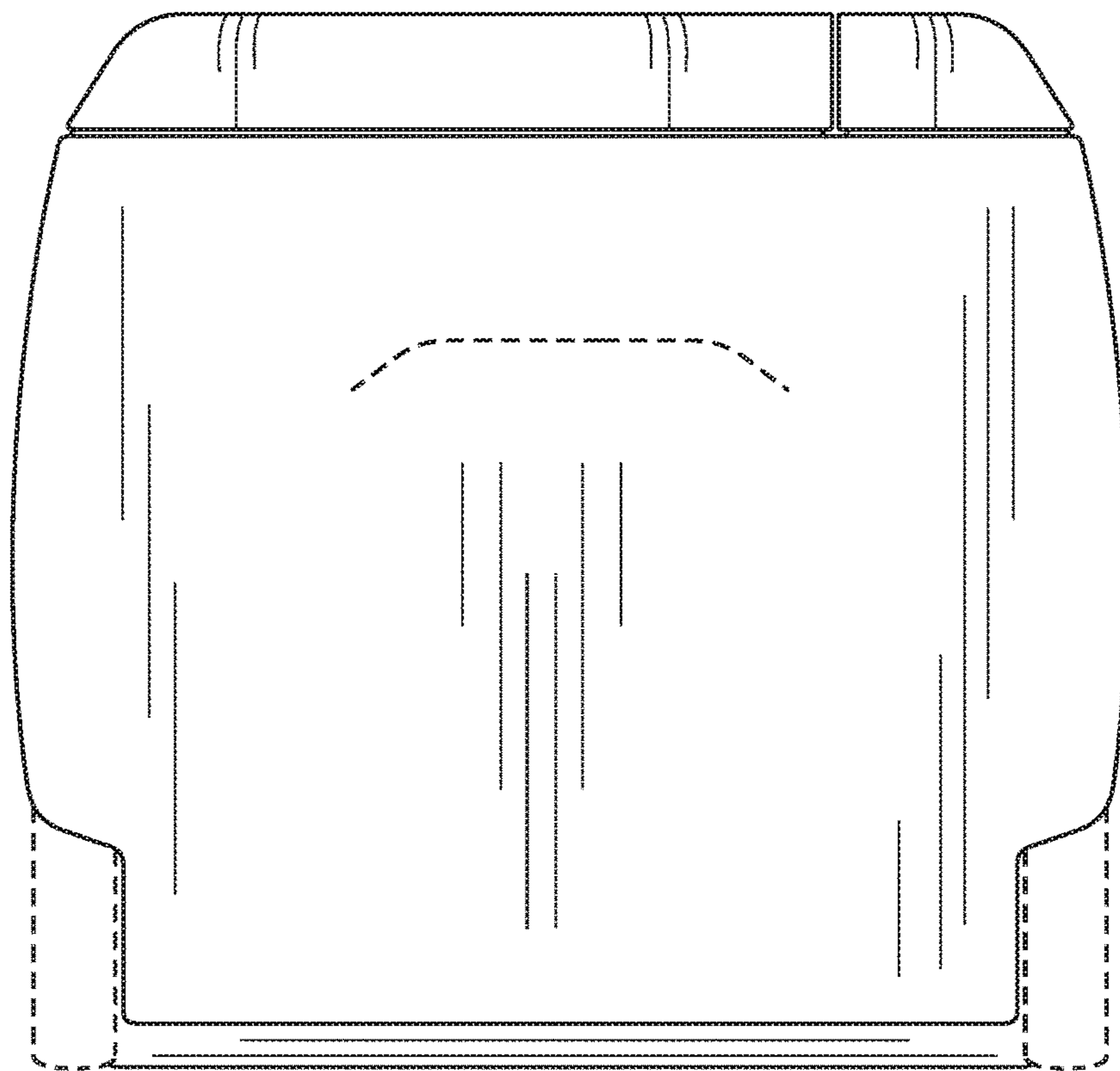


FIG. 7



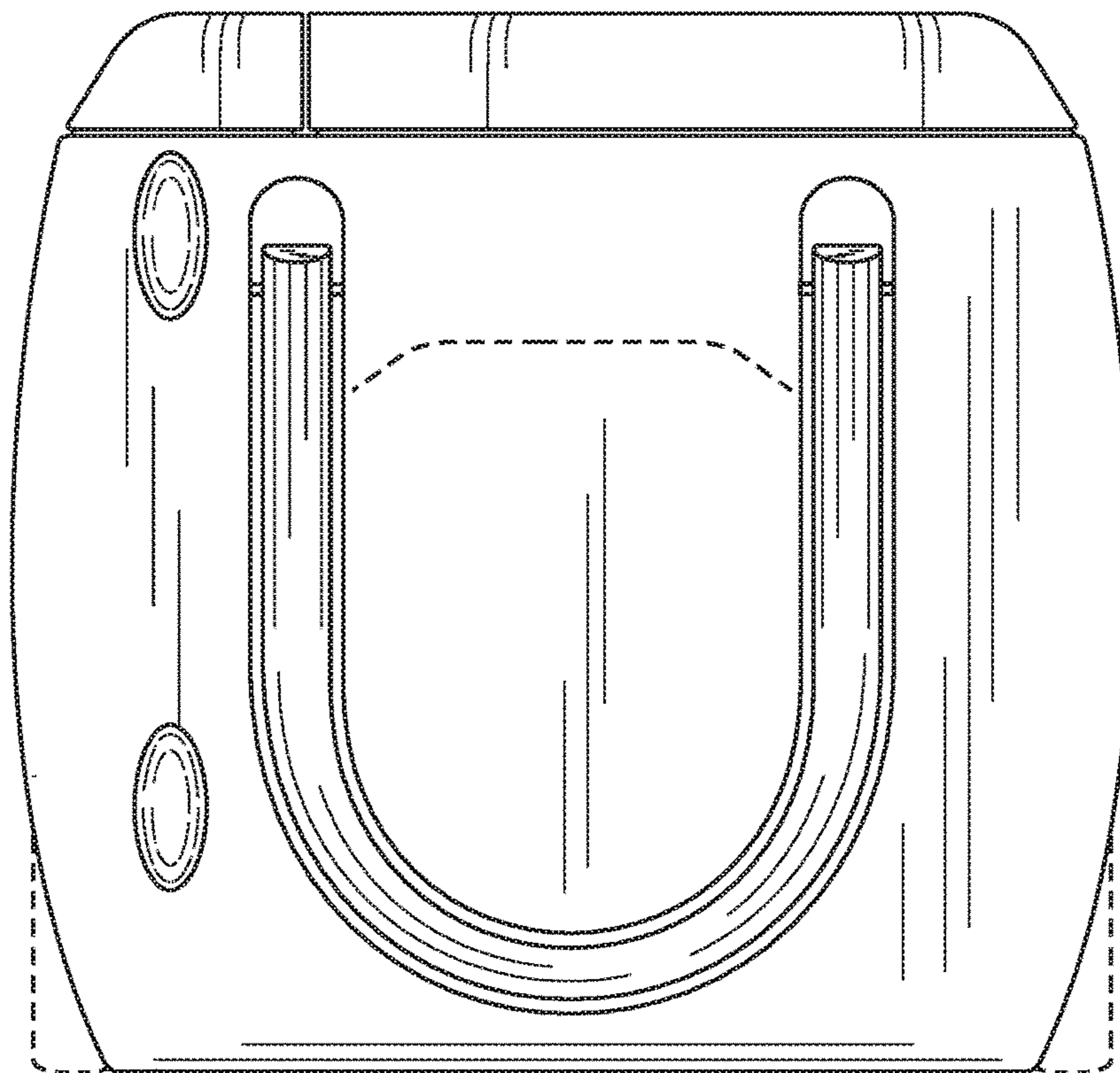


FIG. 8