



US00D780520S

(12) **United States Design Patent** (10) **Patent No.:** **US D780,520 S**  
**Belin** (45) **Date of Patent:** **\*\* Mar. 7, 2017**

(54) **BOWL**  
(71) Applicant: **George E. Belin**, Brandon, MO (US)  
(72) Inventor: **George E. Belin**, Brandon, MO (US)  
(\*\*) Term: **14 Years**  
(21) Appl. No.: **29/525,542**  
(22) Filed: **Apr. 30, 2015**  
(51) **LOC (10) Cl.** ..... **07-01**  
(52) **U.S. Cl.**  
USPC ..... **D7/543**  
(58) **Field of Classification Search**  
USPC ..... 220/574; D9/428; D7/545, 543, 500  
CPC ..... A47G 19/02  
See application file for complete search history.

8,375,895 B2 \* 2/2013 Omps ..... A01K 1/0114  
119/166  
D678,050 S \* 3/2013 Birchmeier ..... D9/424  
D679,548 S \* 4/2013 Chen ..... D7/545  
D680,813 S \* 4/2013 De Leo ..... D7/543  
D684,429 S \* 6/2013 Lion ..... D7/543  
D711,195 S \* 8/2014 Cornu ..... D10/46.2  
D715,594 S \* 10/2014 Norland ..... D7/545  
D735,534 S \* 8/2015 Berlepsch ..... D7/545  
D756,771 S \* 5/2016 Covey ..... D7/400

\* cited by examiner

*Primary Examiner* — Cynthia Underwood  
(74) *Attorney, Agent, or Firm* — Merchant & Gould P.C.

(57) **CLAIM**

The ornamental design for the bowl, as shown and described.

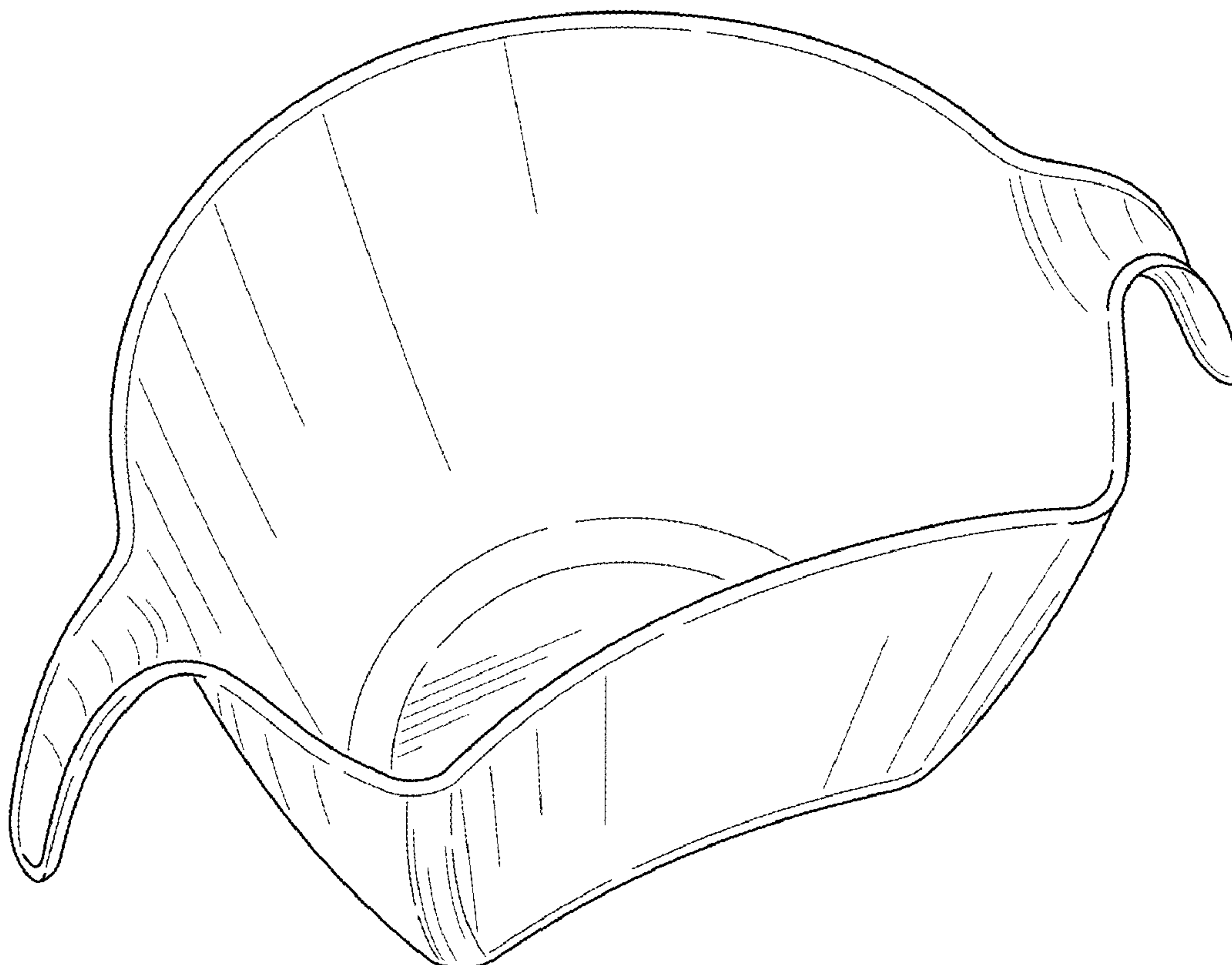
**DESCRIPTION**

FIG. 1 is an isometric view of the bowl;  
FIG. 2 is a rear view of the bowl of FIG. 1;  
FIG. 3 is a front view of the bowl of FIG. 1;  
FIG. 4 is a left side view of the bowl of FIG. 1, with the right side view being a mirror image thereof;  
FIG. 5 is a top view of the bowl of FIG. 1; and,  
FIG. 6 is a bottom view of the bowl of FIG. 1.  
The broken lines represent portions of the structure that form no part of the claim.

**1 Claim, 3 Drawing Sheets**

(56) **References Cited**  
U.S. PATENT DOCUMENTS

D71,003 S \* 9/1926 Carlson ..... D32/29  
D371,939 S \* 7/1996 Rigney ..... D7/509  
D420,856 S \* 2/2000 Yeo ..... D7/545  
D512,631 S \* 12/2005 Lhoste ..... D7/545  
D543,074 S \* 5/2007 Luft ..... D7/543  
D562,633 S \* 2/2008 Luft ..... D7/509  
D604,104 S \* 11/2009 Haas ..... D7/543  
D656,792 S \* 4/2012 Sink ..... D7/318  
D657,617 S \* 4/2012 Sarnoff ..... D7/354



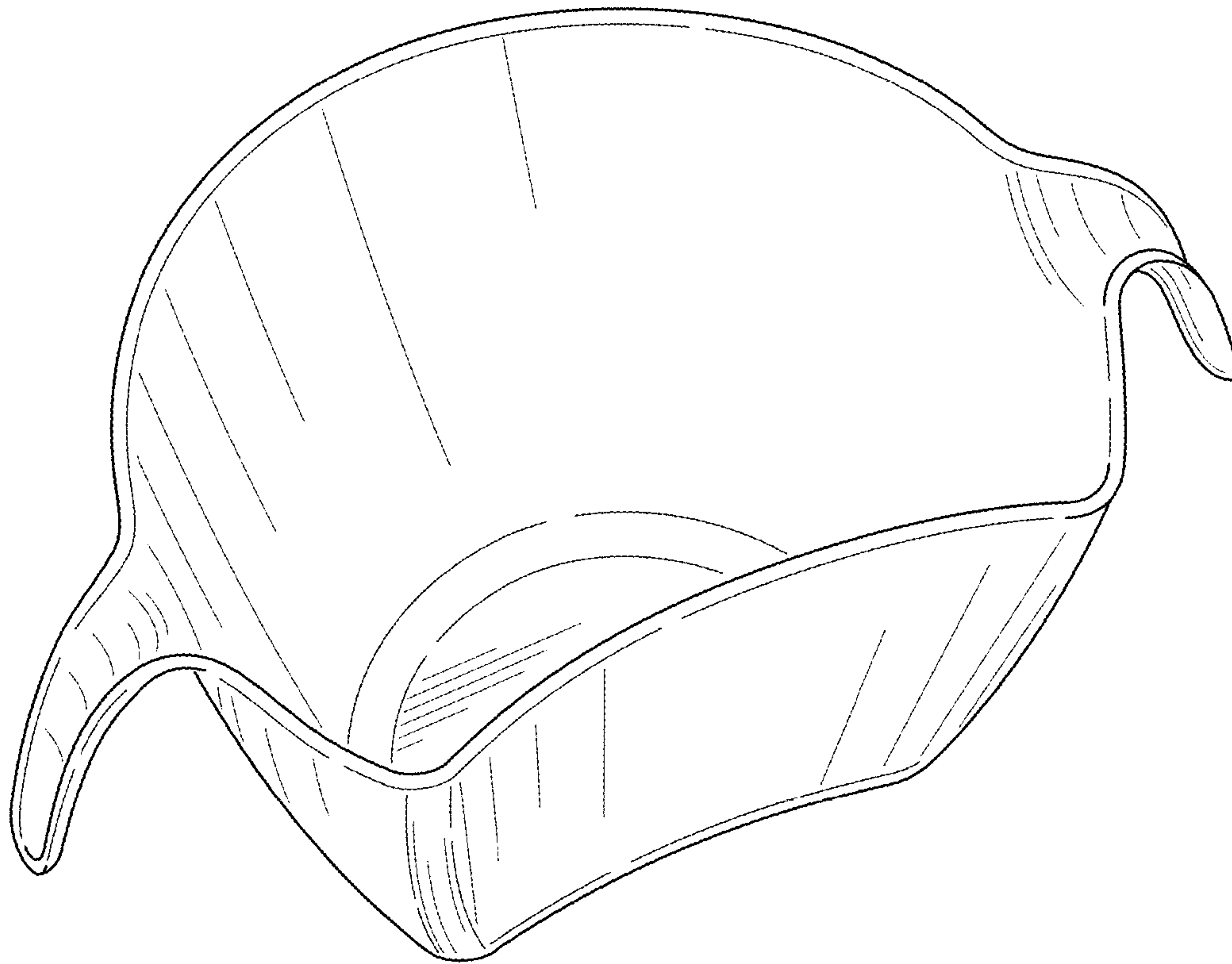


FIG. 1

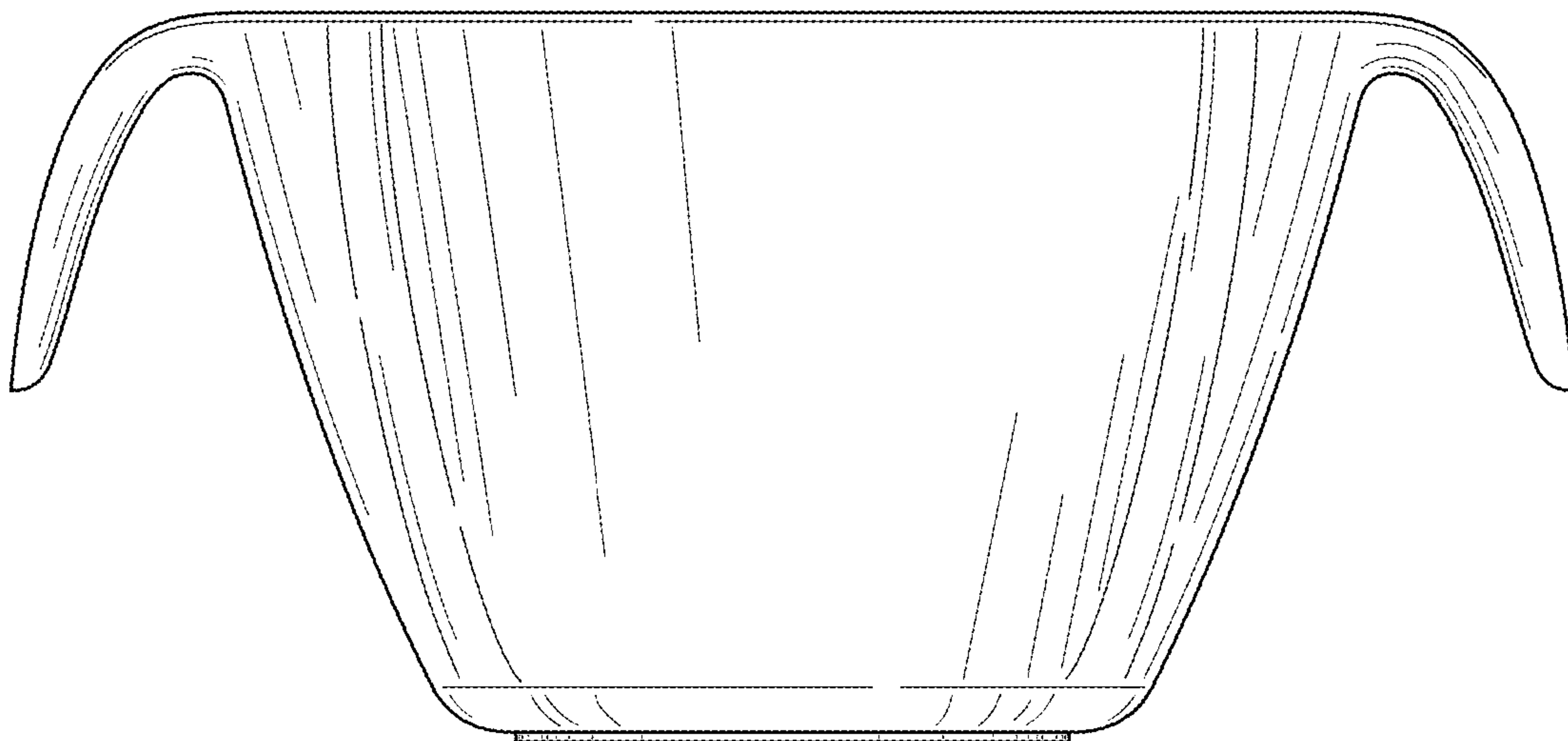


FIG. 2

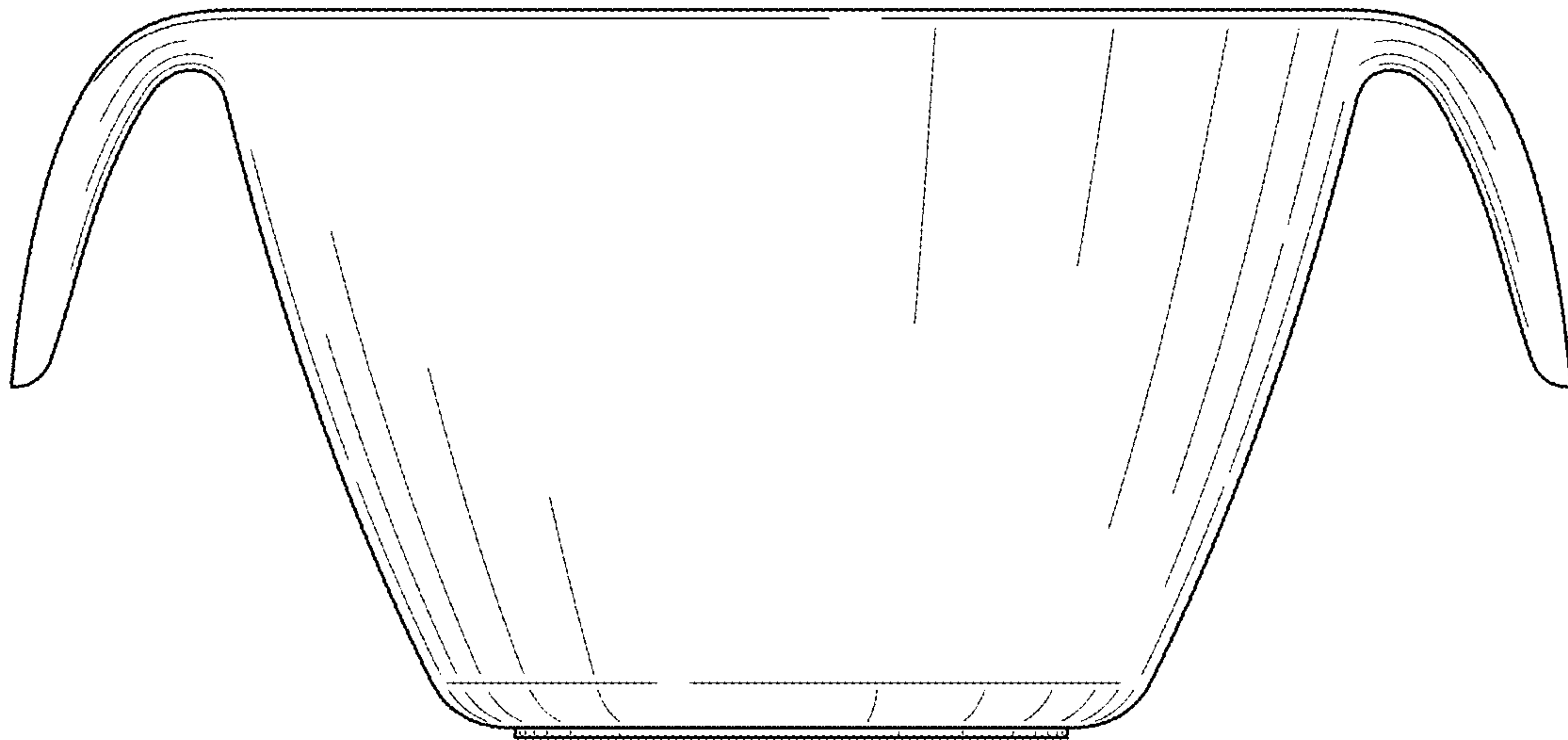


FIG. 3

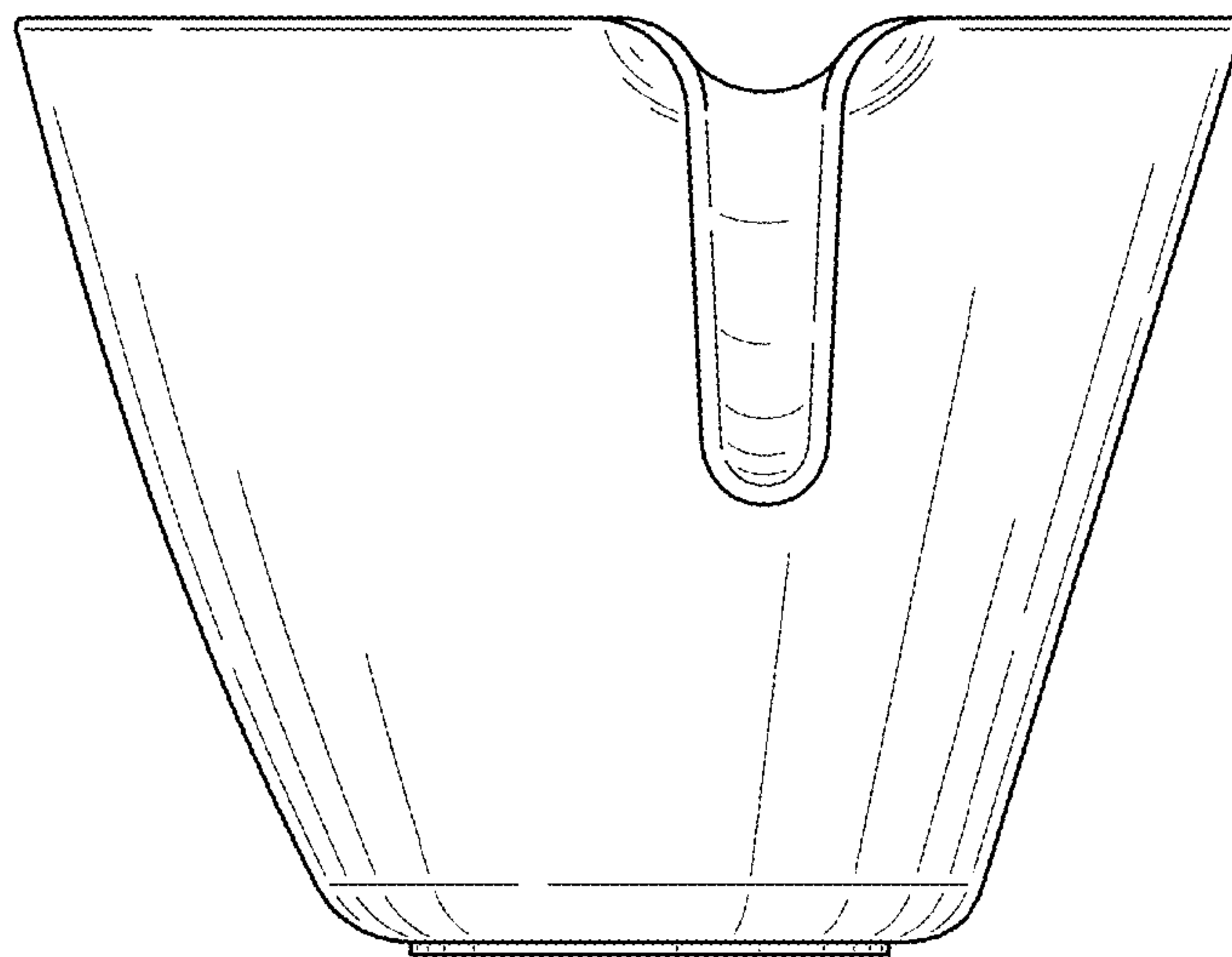


FIG. 4

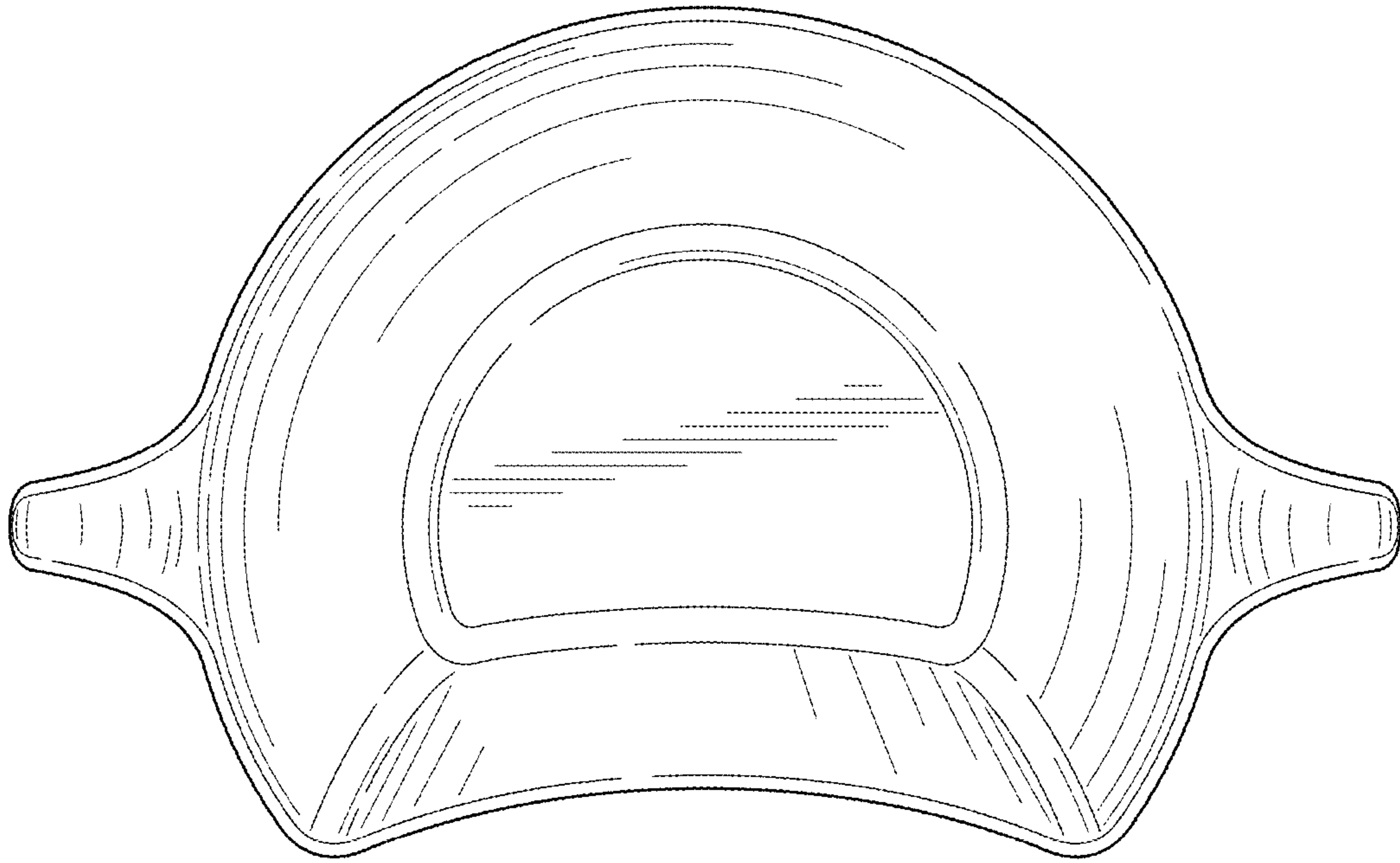


FIG. 5

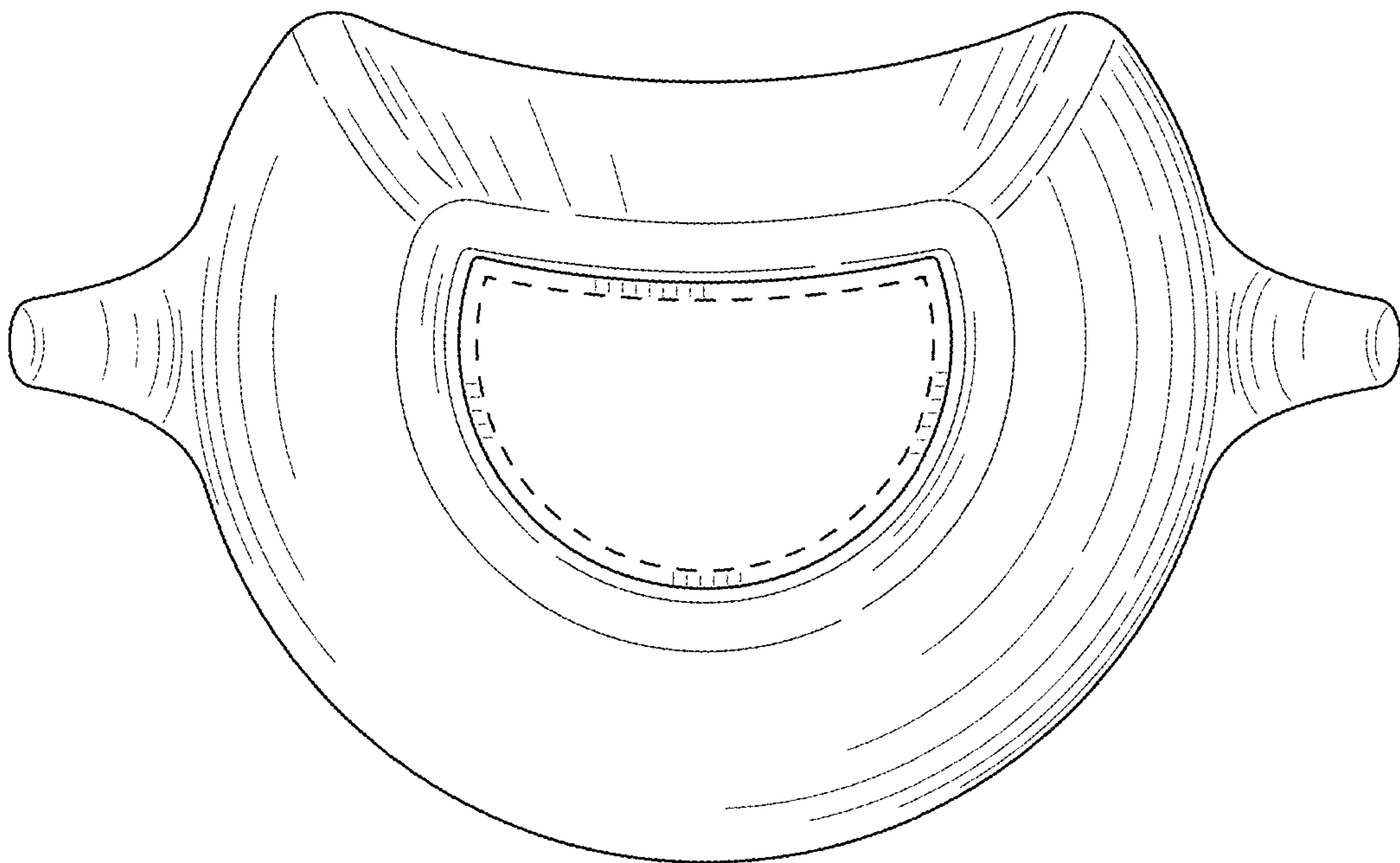


FIG. 6