



US00D780517S

(12) **United States Design Patent**  
**Boroski et al.**

(10) **Patent No.:** **US D780,517 S**

(45) **Date of Patent:** **\*\* Mar. 7, 2017**

(54) **LID AND BOTTLE COMBINATION**

(71) Applicants: **Dwayne Boroski**, Lake in the Hills, IL (US); **Marvin Lane**, Wheeling, IL (US)

(72) Inventors: **Dwayne Boroski**, Lake in the Hills, IL (US); **Marvin Lane**, Wheeling, IL (US)

(73) Assignee: **THERMOS L.L.C.**, Schaumburg, IL (US)

(\*\*) Term: **14 Years**

(21) Appl. No.: **29/523,348**

(22) Filed: **Apr. 8, 2015**

(51) **LOC (10) Cl.** ..... **07-01**

(52) **U.S. Cl.**  
USPC ..... **D7/511; D7/510; D7/529; D7/530; D9/552**

(58) **Field of Classification Search**  
USPC ..... D7/507-512, 529-532, 533, 536, 213, D7/392.1, 396.1, 396.2, 396.4, 900, 608; D9/503, 504, 555, 568, 554, 567, 904, D9/453, 442, 443, 773, 434, 435, 440, D9/444, 447, 449, 526, 552, 571; D3/202; D24/197, 122; 220/592.16, 220/592.17, 592.27; 215/381-384  
CPC ..... B65D 23/00; B65D 47/066; B65D 41/04; B65D 41/0414; B65D 47/08; A45F 3/16  
See application file for complete search history.

(56) **References Cited**

**U.S. PATENT DOCUMENTS**

D49,139 S 6/1916 Curtiss  
D216,407 S 12/1969 Kull et al.  
D262,192 S 12/1981 Wedge

D262,932 S 2/1982 Daenen  
D283,596 S 4/1986 Fortuna et al.  
D286,508 S 11/1986 Tilden  
D289,858 S 5/1987 Duval  
D308,828 S 6/1990 Magnusson  
D318,980 S \* 8/1991 Unger ..... D7/535  
D332,215 S 1/1993 Halvorson  
D346,801 S 5/1994 Traina  
D364,781 S \* 12/1995 Fenton ..... D7/529  
D427,913 S 7/2000 Davies

(Continued)

**OTHER PUBLICATIONS**

U.S. Appl. No. 29/556,513, filed Mar. 1, 2016 (43 pages).  
(Continued)

*Primary Examiner* — Marianne Pandozzi

*Assistant Examiner* — Jae Liang

(74) *Attorney, Agent, or Firm* — Polsinelli PC

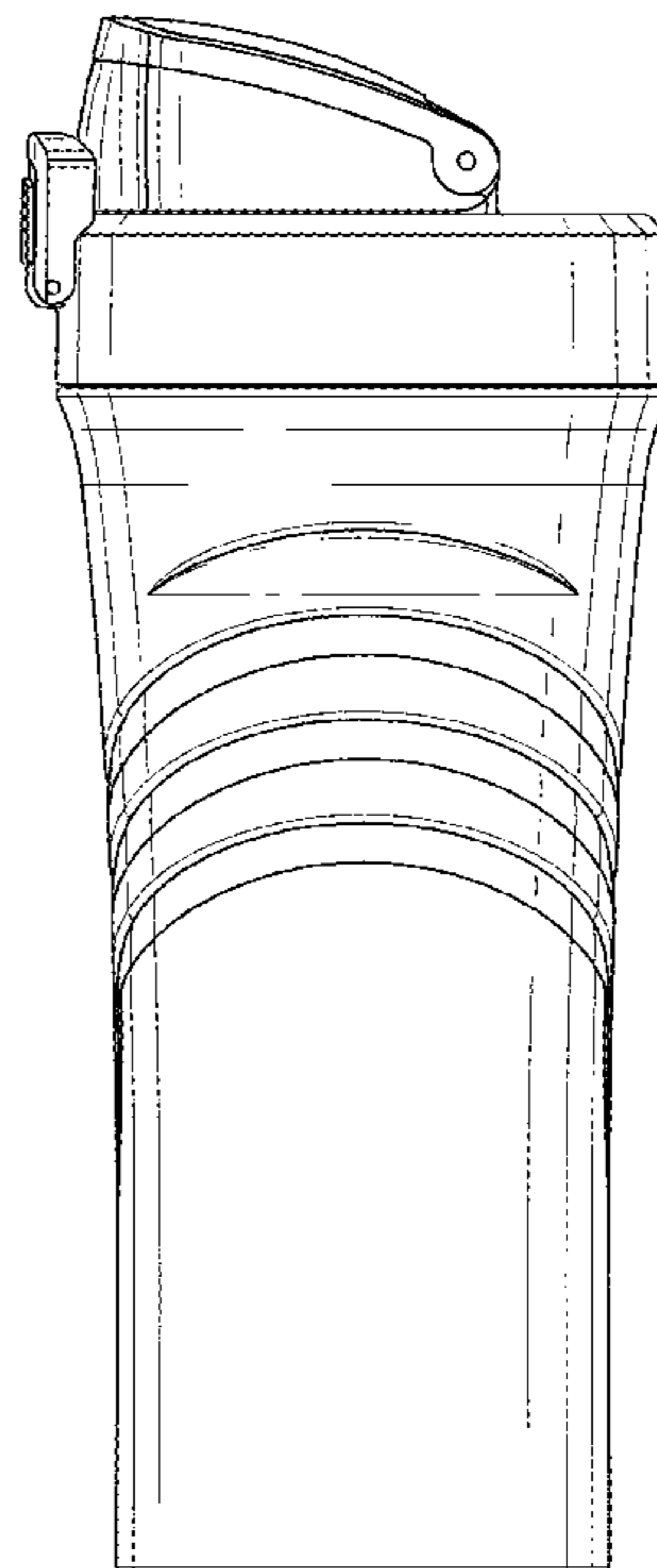
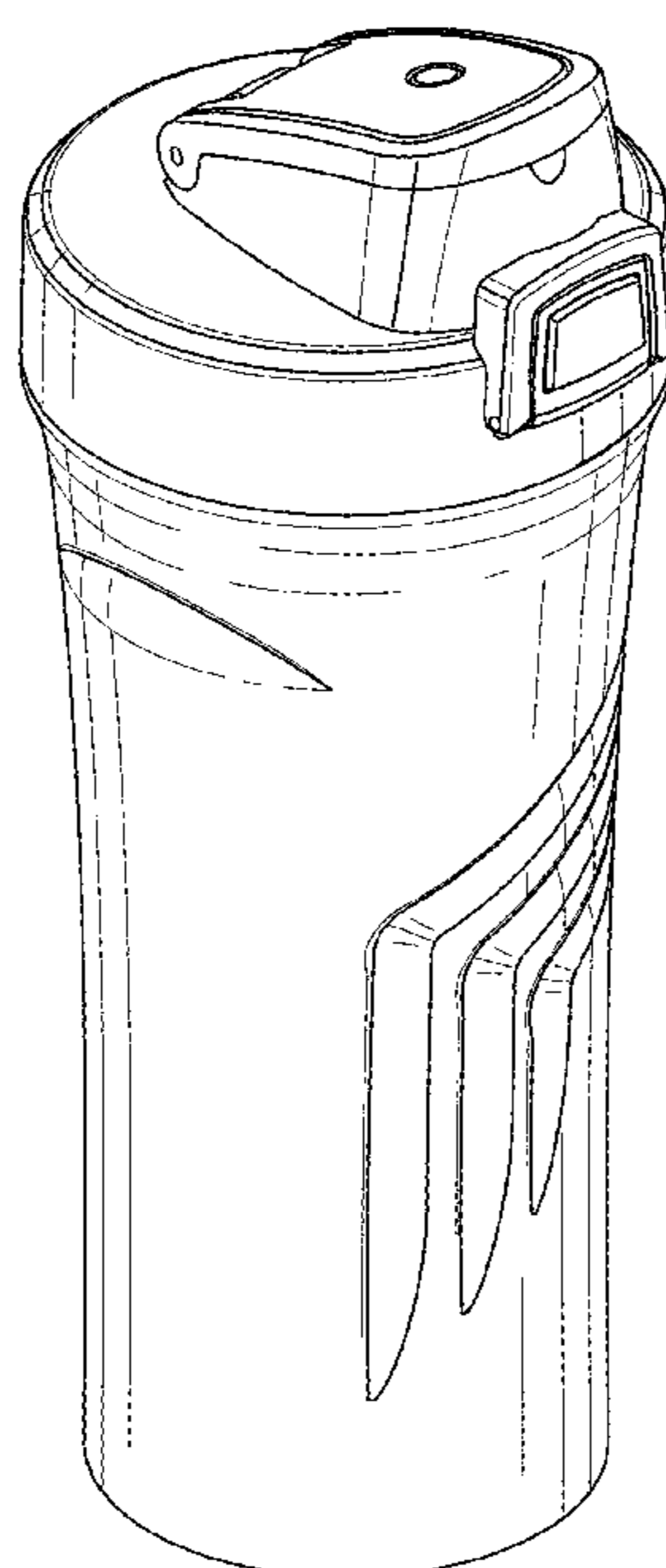
(57) **CLAIM**

The ornamental design for a lid and bottle combination, as shown and described.

**DESCRIPTION**

FIG. 1 is a perspective view of a lid and bottle combination showing our new design;  
FIG. 2 is a front view of the lid and bottle combination;  
FIG. 3 is a rear view of the lid and bottle combination;  
FIG. 4 is a left side view of the lid and bottle combination;  
FIG. 5 is a right side view of the lid and bottle combination;  
FIG. 6 is a top view of the lid and bottle combination; and,  
FIG. 7 is a bottom view of the lid and bottle combination.  
The broken lines in the drawing depict portions of the lid and bottle combination that form no part of the claimed design.

**1 Claim, 4 Drawing Sheets**



(56)

References Cited

U.S. PATENT DOCUMENTS

D430,793 S 9/2000 Baron  
 D468,588 S 1/2003 Norris et al.  
 D492,158 S 6/2004 Bodum  
 D518,381 S 4/2006 Egawa  
 D531,451 S \* 11/2006 Bin ..... D7/510  
 D534,396 S 1/2007 Kramer  
 D538,110 S \* 3/2007 Kitamura ..... D7/608  
 D544,302 S \* 6/2007 Gibbons ..... D7/510  
 D549,048 S \* 8/2007 Duke ..... D7/510  
 D555,430 S 11/2007 Tien  
 D562,137 S 2/2008 Florio  
 D567,589 S \* 4/2008 Freeman ..... D7/533  
 D584,613 S 1/2009 Yan  
 D587,069 S 2/2009 Bodum  
 D590,661 S \* 4/2009 Kitamura ..... D7/510  
 D602,782 S \* 10/2009 Lepoitevin ..... D9/453  
 D604,561 S 11/2009 Chisholm  
 D609,053 S \* 2/2010 Dingenouts ..... D7/509  
 D617,144 S \* 6/2010 O'Connor ..... D7/396.2  
 D619,418 S \* 7/2010 Nezu ..... D7/510  
 D622,545 S 8/2010 Wahl  
 D622,553 S 8/2010 Bollenbacher  
 D630,044 S 1/2011 Lane et al.  
 D630,473 S 1/2011 Poppie  
 D637,455 S 5/2011 Lipson  
 RE42,484 E 6/2011 Kitamura et al.  
 D639,113 S \* 6/2011 Hayes ..... D7/509  
 D642,472 S 8/2011 Concini et al.  
 D642,473 S \* 8/2011 Vanhooland ..... D9/516  
 8,016,148 B2 9/2011 Walsh  
 D649,881 S 12/2011 Rinderer et al.  
 D655,134 S 3/2012 Gilbert  
 D655,569 S 3/2012 Lipson  
 D655,580 S 3/2012 Kotani  
 D655,581 S \* 3/2012 Kotani ..... D7/608  
 D656,025 S 3/2012 Carreno  
 D658,445 S 5/2012 Carreno  
 D660,081 S 5/2012 Gilbert  
 D660,082 S 5/2012 Wahl  
 D660,705 S 5/2012 Simmons et al.  
 D672,648 S 12/2012 Goto et al.  
 D675,865 S 2/2013 Wahl

D680,369 S 4/2013 Starks  
 D686,871 S 7/2013 Lane  
 D686,872 S 7/2013 Lane  
 8,474,648 B1 7/2013 Ritzen  
 D688,949 S 9/2013 Johnson et al.  
 D690,557 S 10/2013 Carreno et al.  
 D695,069 S 12/2013 Lane  
 D699,516 S 2/2014 Kim et al.  
 D700,802 S 3/2014 Miller  
 D702,505 S \* 4/2014 Nakatani ..... D7/605  
 D707,492 S 6/2014 George et al.  
 D710,653 S \* 8/2014 Goto ..... D7/608  
 D715,098 S 10/2014 Johnson  
 D718,626 S 12/2014 Lane  
 D718,980 S 12/2014 Lapsker  
 D722,249 S 2/2015 Valderrama et al.  
 D725,966 S \* 4/2015 Boroski ..... D7/511  
 D725,968 S 4/2015 George  
 D727,685 S 4/2015 He  
 D734,154 S 7/2015 Johnson et al.  
 D735,580 S \* 8/2015 Bourne ..... D9/538  
 D739,183 S 9/2015 Lane  
 D740,073 S 10/2015 Zorovich et al.  
 D744,290 S \* 12/2015 Endo ..... D7/608  
 D747,918 S 1/2016 Herbst  
 D748,949 S 2/2016 Long, Sr.  
 D752,446 S \* 3/2016 Jasso Gomez ..... D9/543  
 2003/0080135 A1 5/2003 Bezek  
 2008/0101850 A1 5/2008 Wojcik et al.  
 2009/0290928 A1 11/2009 Samuelson et al.  
 2010/0219153 A1 \* 9/2010 Mooney ..... B65D 1/0223  
 215/381  
 2016/0000245 A1 1/2016 Sims  
 2016/0115008 A1 4/2016 Bohlen

OTHER PUBLICATIONS

U.S. Appl. No. 29/523,347, filed Apr. 6, 2015 (16 pages).  
 U.S. Appl. No. 29/523,349, filed Apr. 8, 2015 (16 pages).  
 U.S. Appl. No. 29/523,228, filed Apr. 7, 2016 (16 pages).  
 U.S. Appl. No. 29/523,341, filed Apr. 8, 2015 (18 pages).  
 U.S. Appl. No. 29/556,554, filed Mar. 1, 2016 (19 pages).

\* cited by examiner

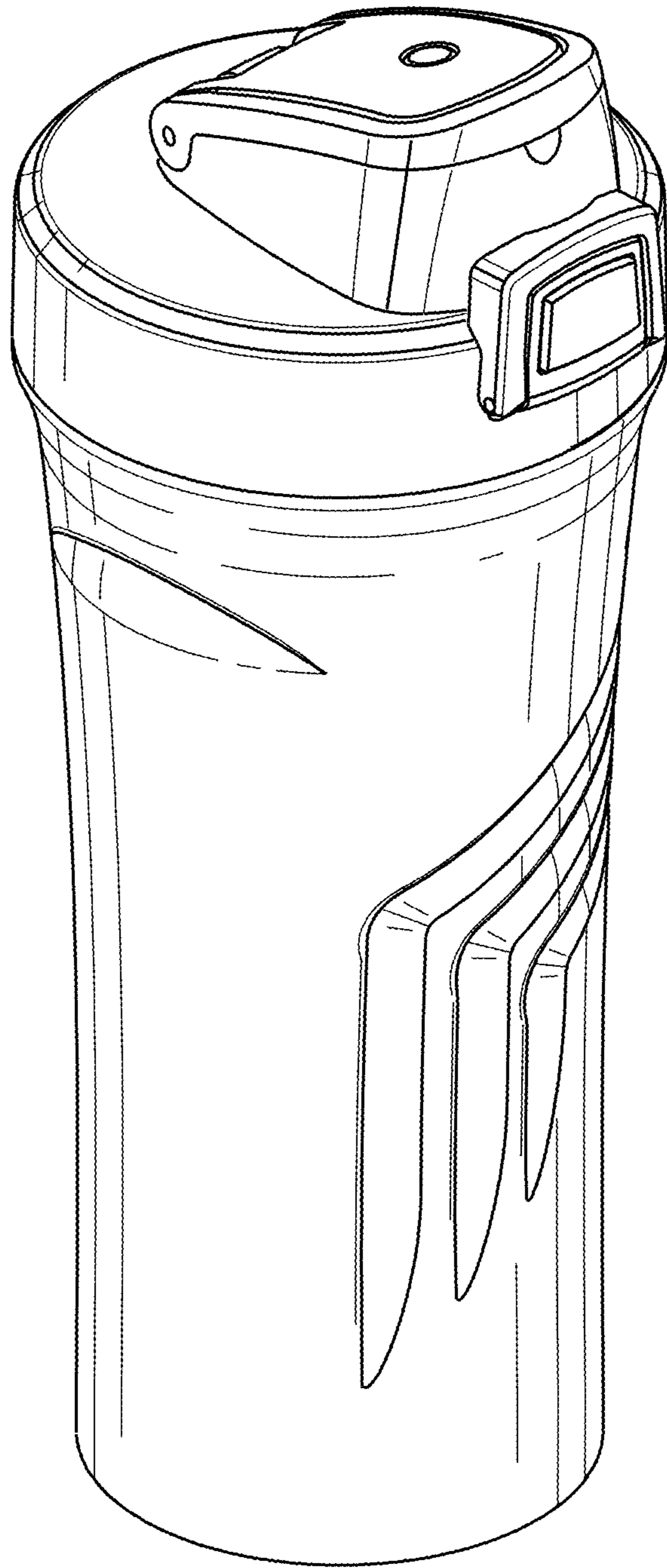


FIG. 1

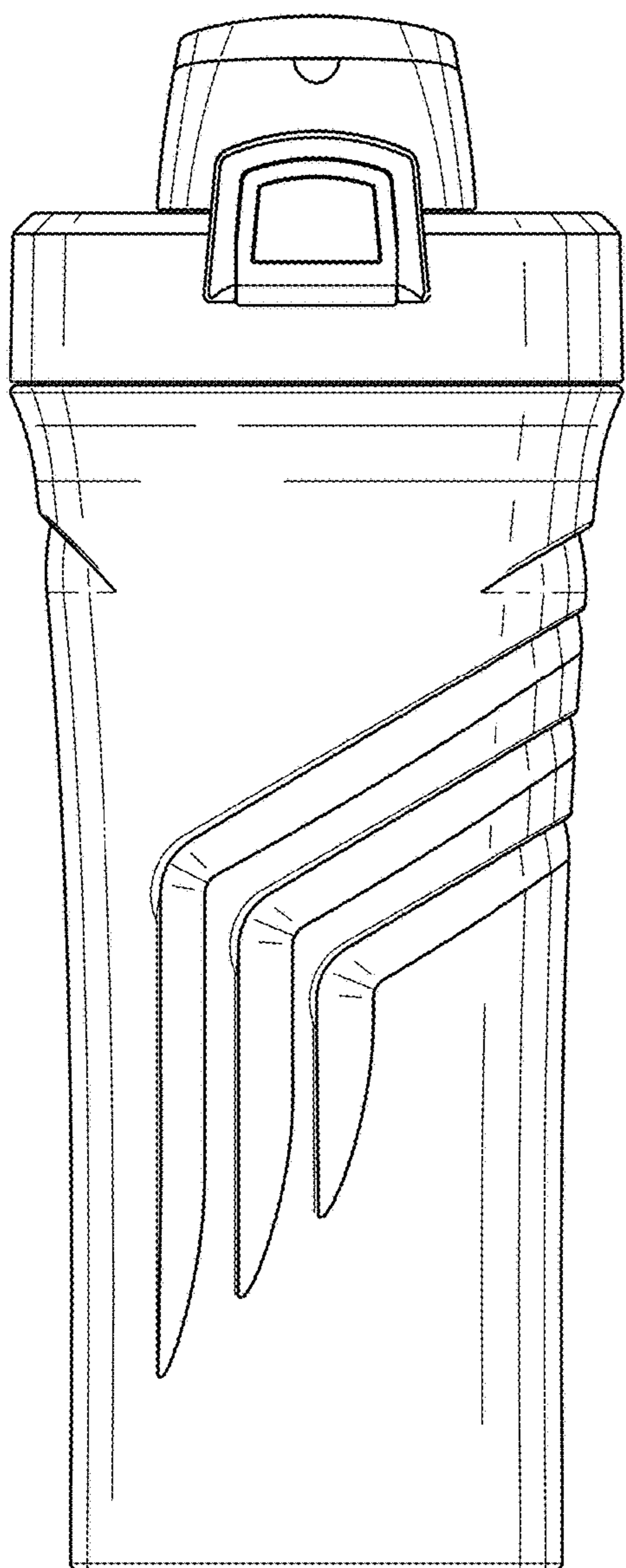


FIG. 2

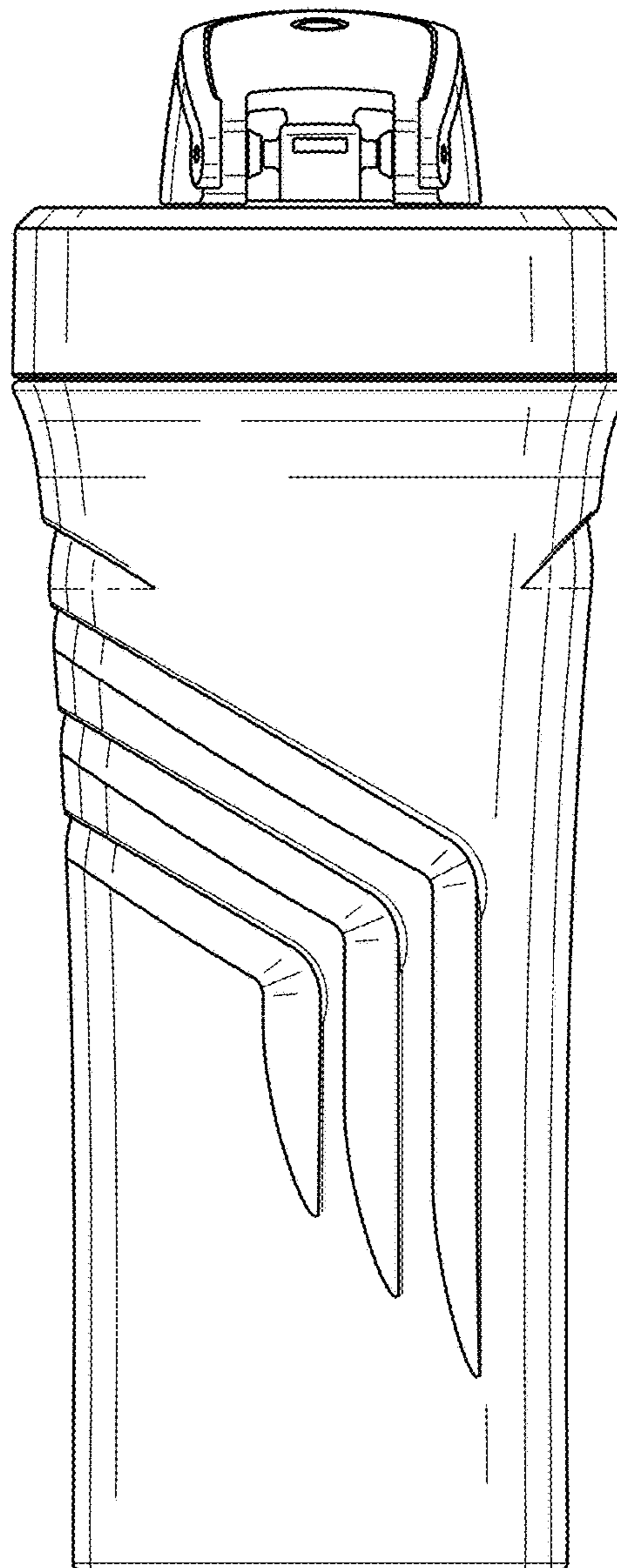


FIG. 3

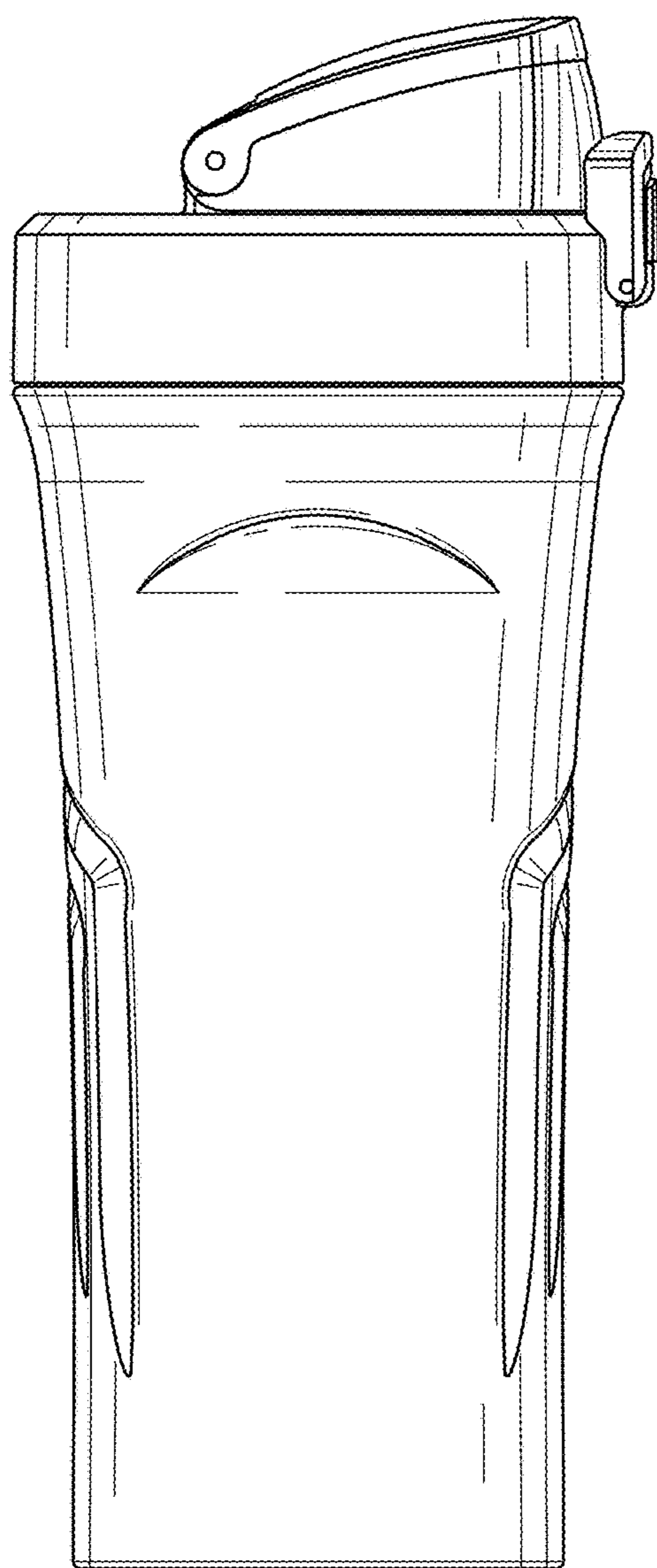


FIG. 4

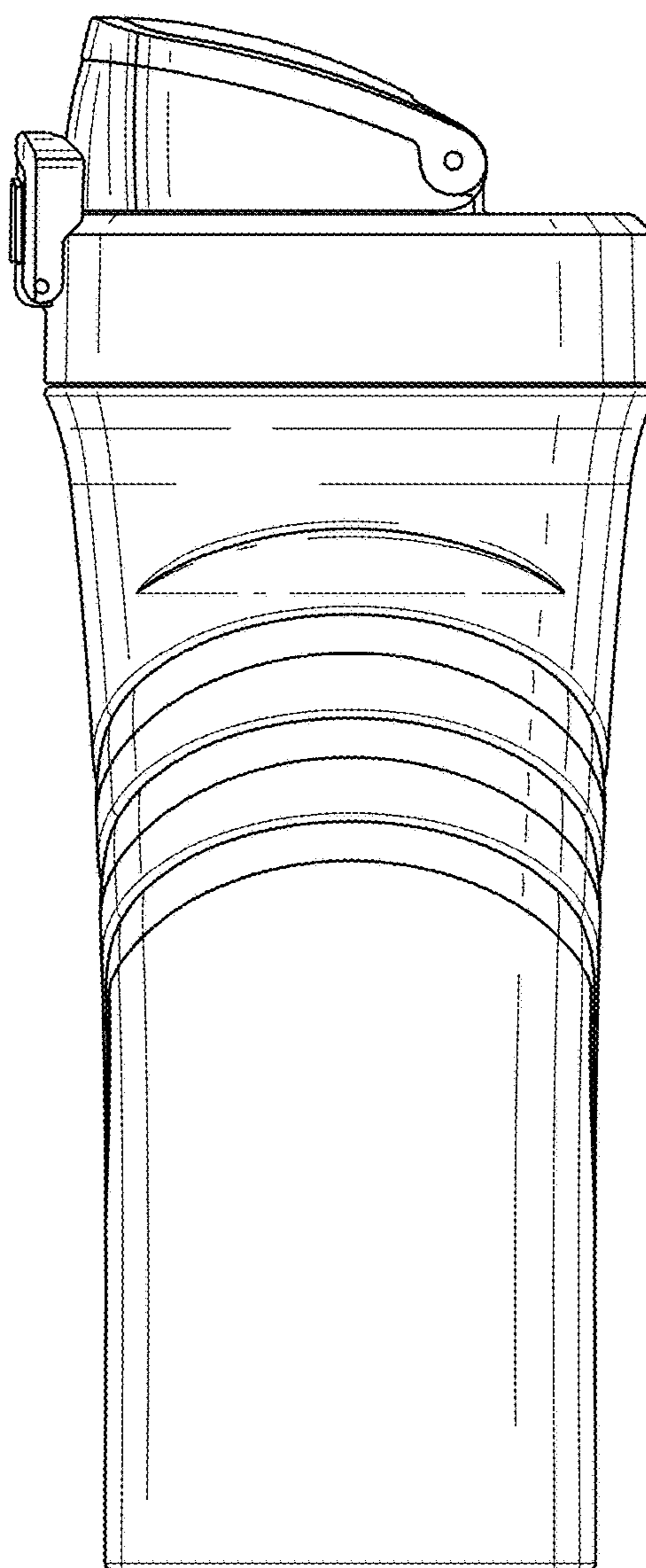


FIG. 5

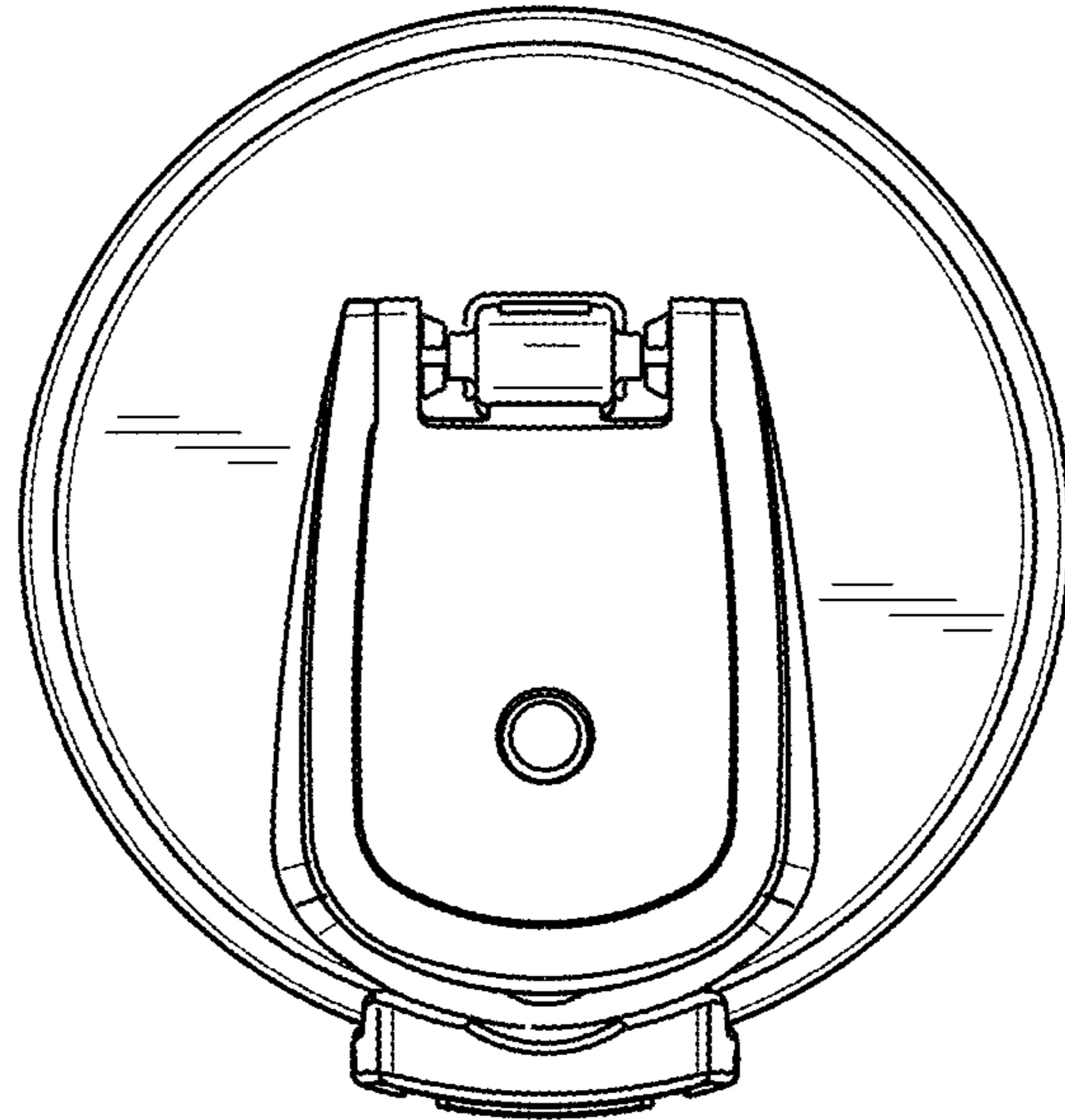


FIG. 6

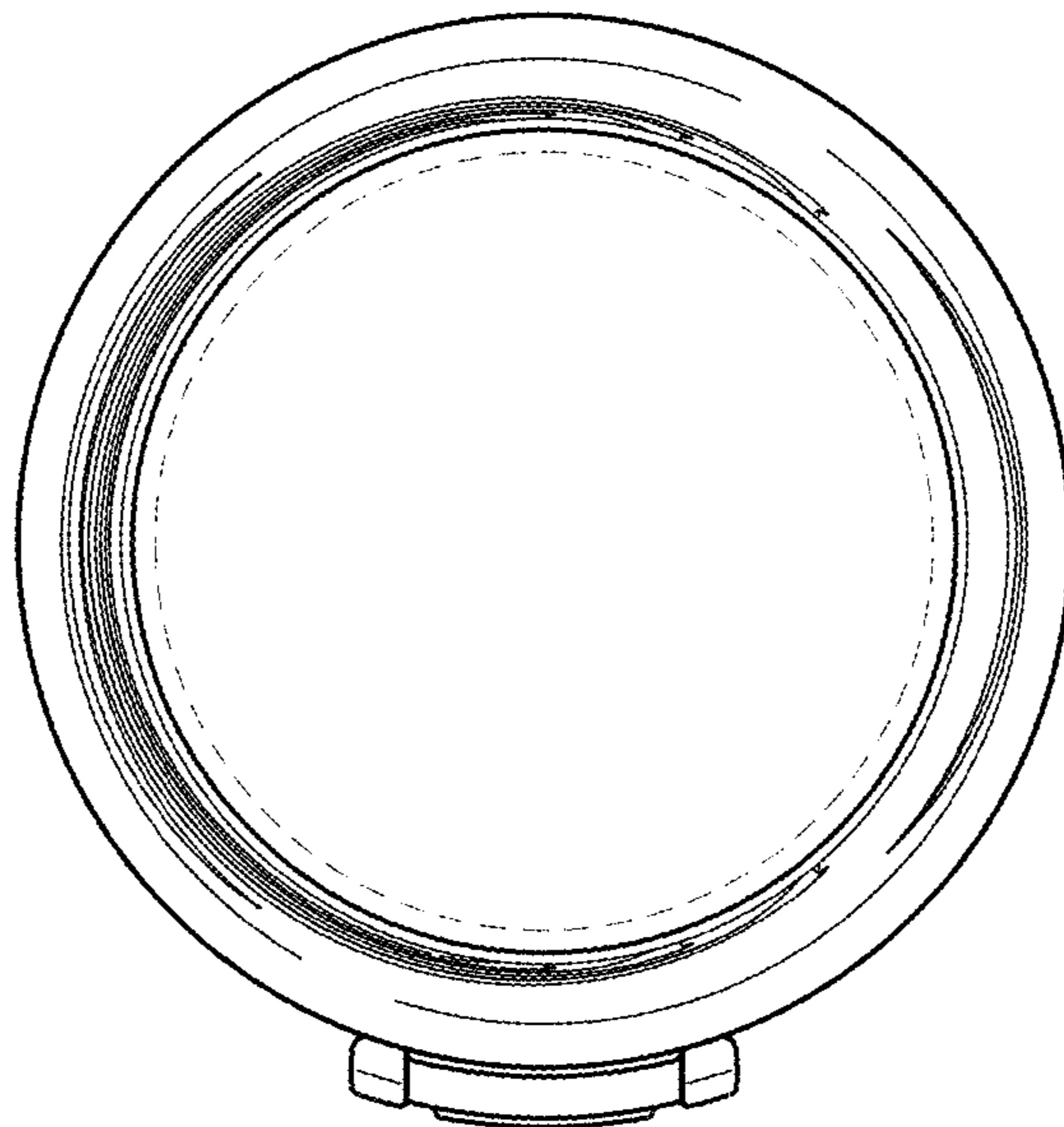


FIG. 7