



US00D780514S

(12) **United States Design Patent**  
**Mitten**

(10) **Patent No.:** **US D780,514 S**  
(45) **Date of Patent:** **\*\* Mar. 7, 2017**

- (54) **ROASTING PAN RACK**
- (71) Applicant: **Diane L. Mitten**, Cape Coral, FL (US)
- (72) Inventor: **Diane L. Mitten**, Cape Coral, FL (US)
- (\*\*) Term: **15 Years**
- (21) Appl. No.: **29/538,243**
- (22) Filed: **Sep. 2, 2015**
- (51) **LOC (10) Cl.** ..... **07-02**
- (52) **U.S. Cl.**  
USPC ..... **D7/409**
- (58) **Field of Classification Search**  
USPC ..... D7/323, 332, 335-337, 354-355,  
D7/359-364, 387-388, 402, 407-409,  
D7/554.2, 688  
CPC .... A21B 2/00; A21B 3/00; A21B 3/13; A21B  
3/15; A21B 5/00; A21B 5/02; A23N  
12/06; A23N 12/08; A23N 12/10; A47J  
43/18; A47J 37/00; A47J 37/04; A47J  
37/041; A47J 37/042; A47J 37/06; A47J  
37/0688; A47J 37/0694; A47J 37/07;  
A47J 37/0704; A47J 37/10; A47J 47/20;  
A47J 2037/00; A47J 2037/06; A47J  
2037/0611; A47J 2037/07; A47J  
2037/0786; A47J 2037/0795; A47G  
23/06; B65D 45/02; F24C 15/10; F24C  
15/12; F24C 15/14; F24C 15/16; F24C  
15/164; F24C 15/18  
See application file for complete search history.

- 4,718,402 A \* 1/1988 Fordyce ..... F24C 15/16  
126/337 R
- 4,741,262 A 5/1988 Moncrief
- D341,523 S \* 11/1993 Tiemann ..... D7/409
- D364,994 S \* 12/1995 Tiemann ..... D7/409
- 5,503,062 A 4/1996 Buff, IV
- 6,065,629 A \* 5/2000 Sarnoff ..... B65D 45/02  
220/315
- 6,213,005 B1 4/2001 Sherman et al.
- D451,345 S \* 12/2001 Tiemann ..... D7/409
- D475,574 S 6/2003 Lutz et al.
- D479,435 S \* 9/2003 Siegel ..... D7/409
- 6,952,991 B2 10/2005 Siegel et al.
- D577,256 S \* 9/2008 Schutte ..... D7/409
- 7,587,973 B2 9/2009 Kaliveh
- D621,218 S \* 8/2010 Schutte ..... D7/409
- D629,251 S \* 12/2010 Tiemann ..... D7/402
- D700,476 S \* 3/2014 Greer ..... D7/409

(Continued)

**OTHER PUBLICATIONS**

Cooling Racks. Fante's Kitchen Shop. <http://www.fantes.com/cooking/roasting/roasting-racks> Accessed Apr. 15, 2015.

*Primary Examiner* — Ricky Pham  
(74) *Attorney, Agent, or Firm* — Robert C. Montgomery;  
Montgomery Patent & Design

(57) **CLAIM**

The ornamental design for a roasting pan rack, as shown and described.

**DESCRIPTION**

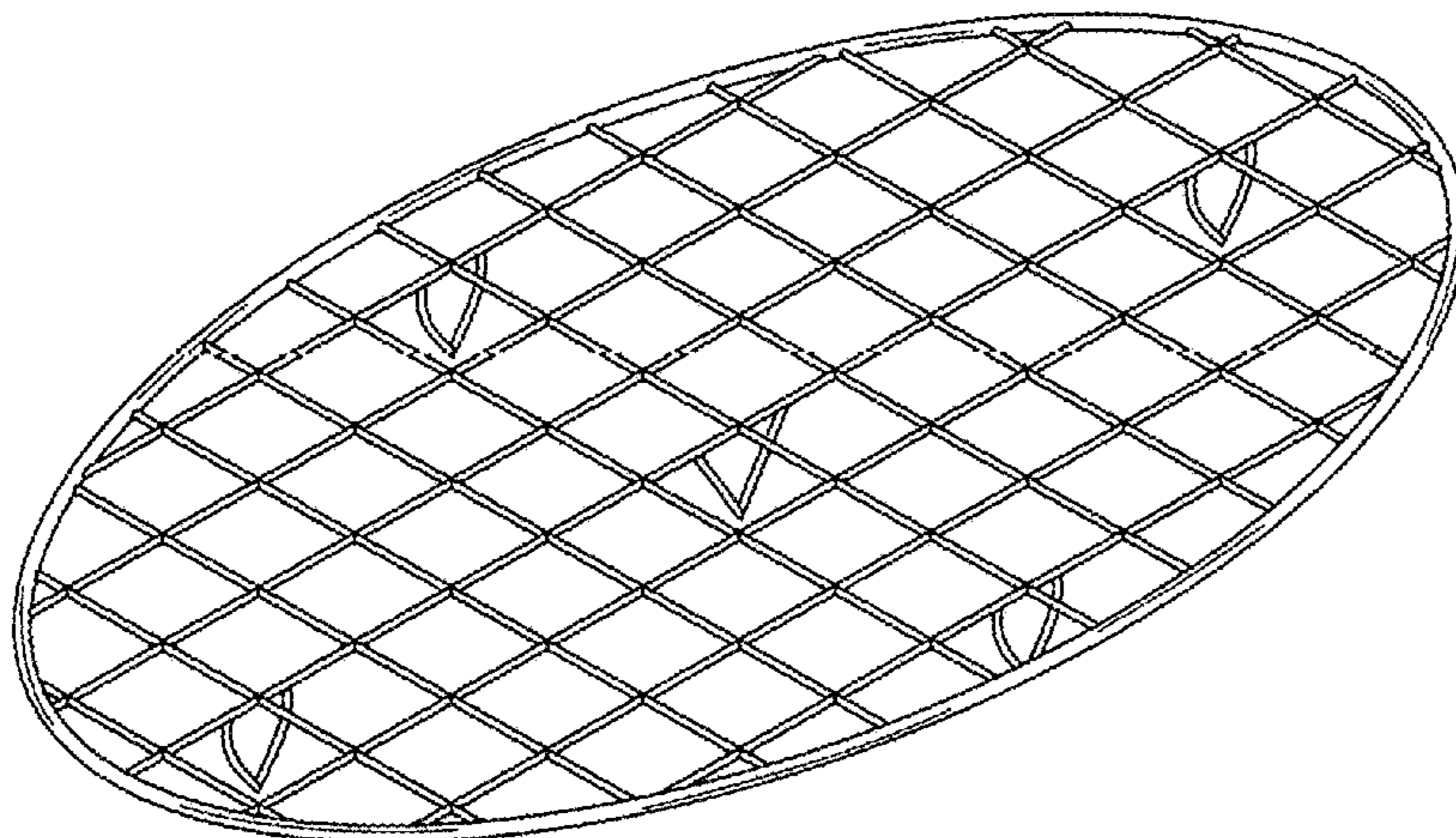
FIG. 1 is a perspective top view of the roasting pan rack, showing my new design;  
FIG. 2 is a front side view with the back side view being a mirror image thereof;  
FIG. 3 is a left side view with the right side view being a mirror image thereof;  
FIG. 4 is a top side view thereof; and,  
FIG. 5 is a bottom side view thereof.

**1 Claim, 5 Drawing Sheets**

(56) **References Cited**

**U.S. PATENT DOCUMENTS**

- 2,565,046 A \* 8/1951 Rooth ..... A47G 23/06  
220/694
- 3,585,922 A \* 6/1971 Peterson ..... A47J 43/18  
99/355



(56)

**References Cited**

U.S. PATENT DOCUMENTS

D737,103 S \* 8/2015 Cloutier ..... D7/554.2

\* cited by examiner

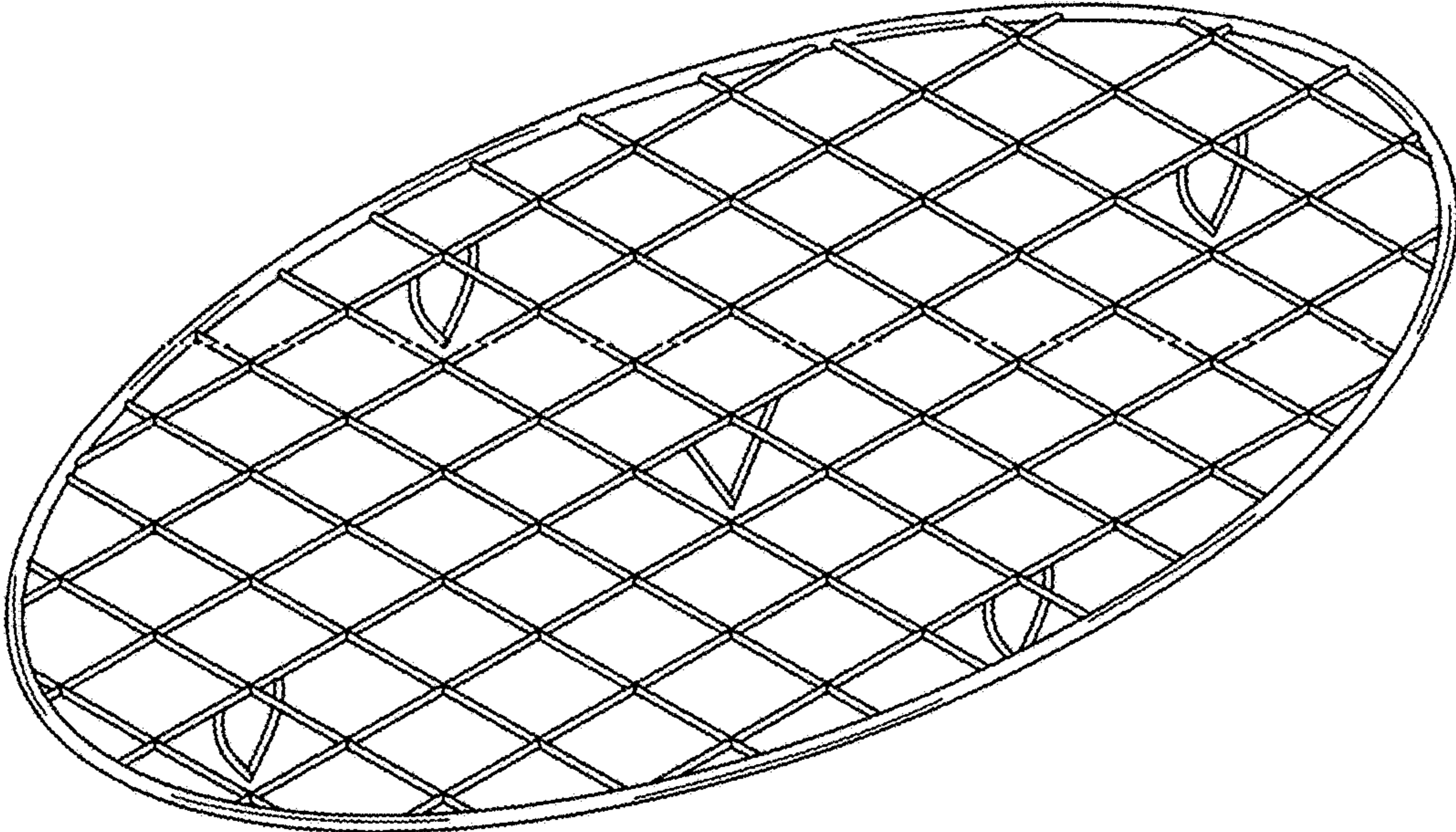


FIG. 1

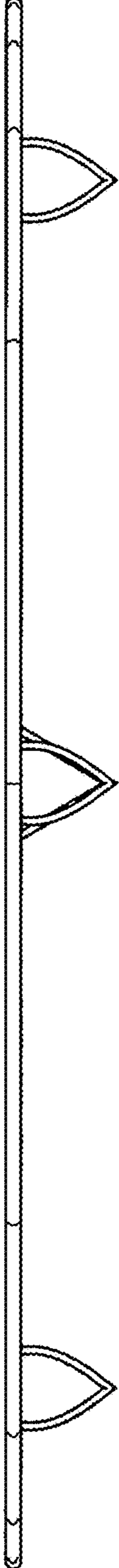


FIG. 2

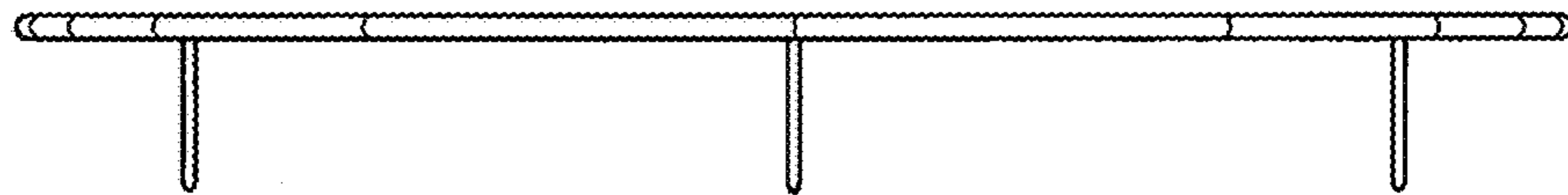


FIG. 3

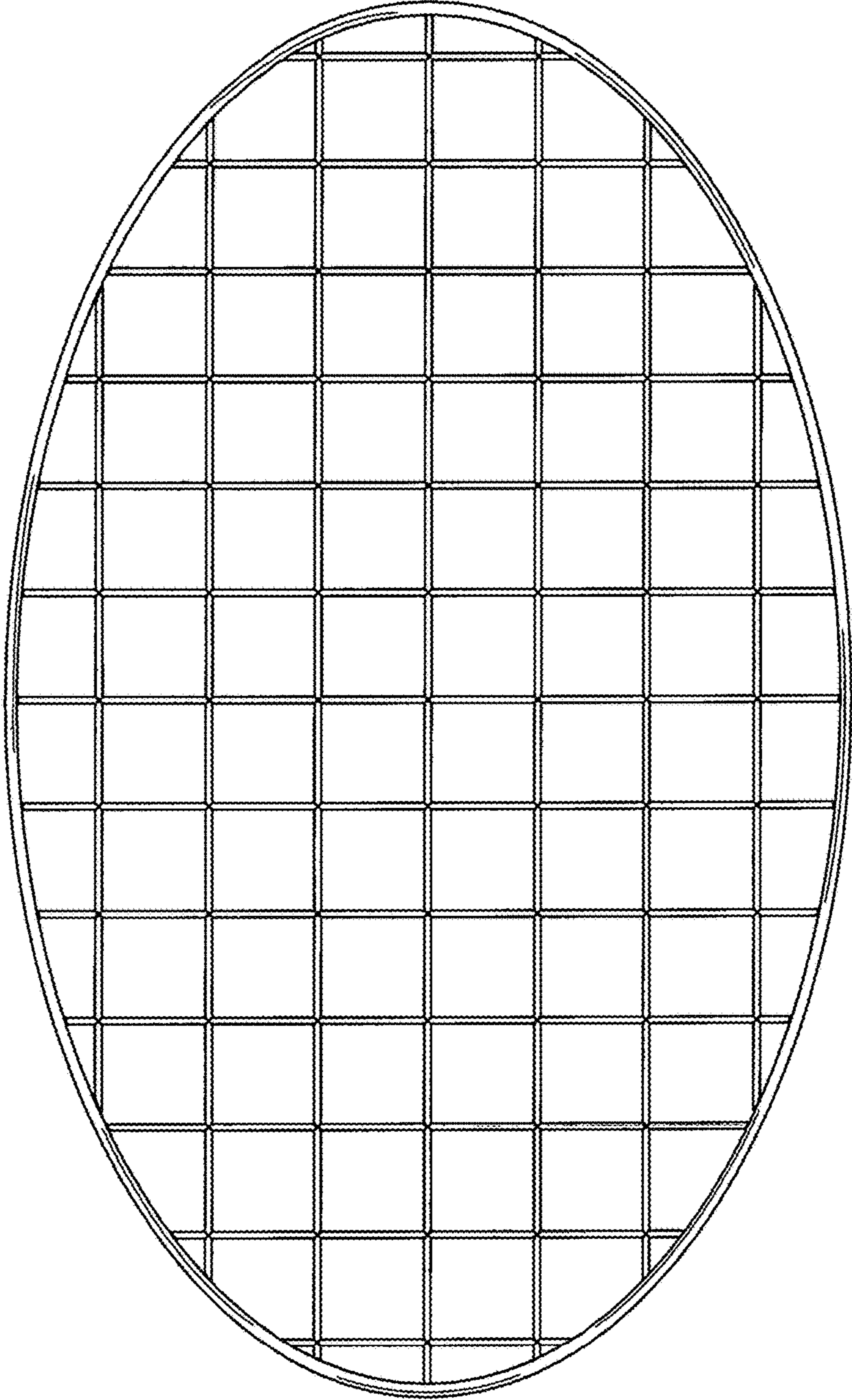


FIG. 4

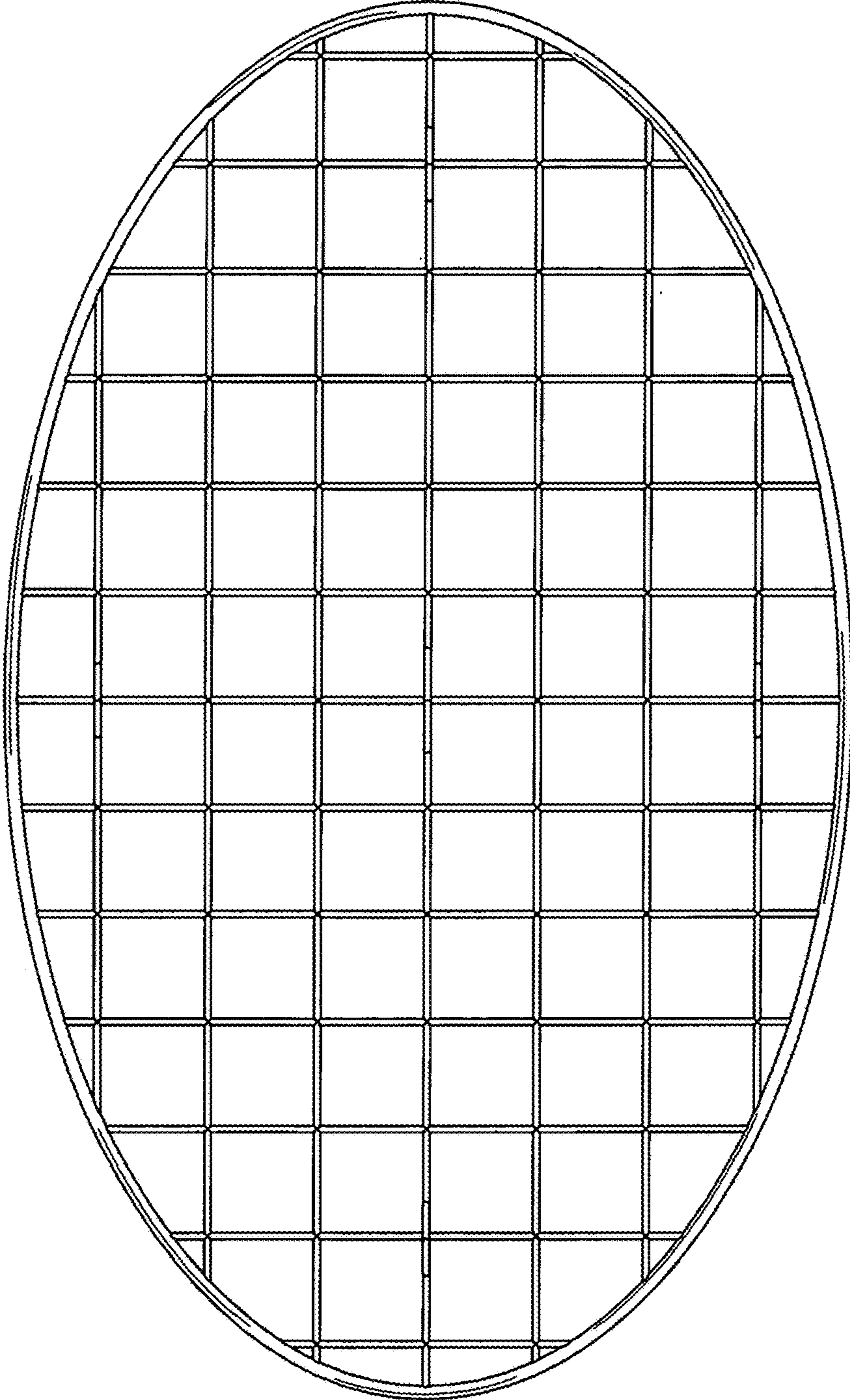


FIG. 5