



US00D780511S

(12) **United States Design Patent**  
**Chung et al.**

(10) **Patent No.:** **US D780,511 S**  
(45) **Date of Patent:** **\*\* Mar. 7, 2017**

(54) **MICROWAVE OVEN**  
(71) Applicant: **LG ELECTRONICS INC.**, Seoul (KR)  
(72) Inventors: **Jae Hun Chung**, Seoul (KR); **In Hwan Ryu**, Seoul (KR); **Sang Woo Kim**, Seoul (KR)  
(73) Assignee: **LG ELECTRONICS INC.**, Seoul (KR)

4,339,646 A \* 7/1982 Doi ..... G05B 19/102  
200/46  
4,506,142 A \* 3/1985 Takano ..... H05B 6/6435  
219/490  
D294,104 S \* 2/1988 Fujimoto ..... D7/351  
D294,215 S \* 2/1988 Kawaishi ..... D7/351  
D295,252 S \* 4/1988 Mierzwinski ..... D7/406  
D303,749 S \* 10/1989 Steinkamp ..... D7/351  
5,780,822 A \* 7/1998 Lee ..... H05B 6/645  
219/710  
D439,468 S \* 3/2001 Kim ..... D7/351  
6,433,323 B2 \* 8/2002 Kim ..... 126/21 A  
D494,808 S \* 8/2004 Thomkins ..... D7/394

(\*\*) Term: **14 Years**

(21) Appl. No.: **29/525,221**

(22) Filed: **Apr. 28, 2015**

(30) **Foreign Application Priority Data**

Nov. 13, 2014 (KR) ..... 30-2014-0054718

(51) **LOC (10) Cl.** ..... **07-02**

(52) **U.S. Cl.**  
USPC ..... **D7/405**

(58) **Field of Classification Search**  
USPC ..... D7/402, 403-408, 351, 350.4,  
D7/350.1-350.3, 323, 339-340, 346-349,  
D7/394  
CPC .... H05B 6/763; H05B 6/6414; H05B 6/6408;  
Y02B 40/14; Y02B 40/143; Y02B  
40/146; F24C 15/02; F24C 1/00; F24C  
14/00; F24C 3/00; F24C 5/00; F24C 7/00  
See application file for complete search history.

(56) **References Cited**

**U.S. PATENT DOCUMENTS**

4,286,134 A \* 8/1981 Nakata ..... H05B 6/745  
219/711  
4,319,110 A \* 3/1982 Tanabe ..... G01N 33/0063  
219/707

*Primary Examiner* — Sheryl Lane  
*Assistant Examiner* — Nicole Shiflet  
(74) *Attorney, Agent, or Firm* — Birch, Stewart, Kolasch  
& Birch, LLP

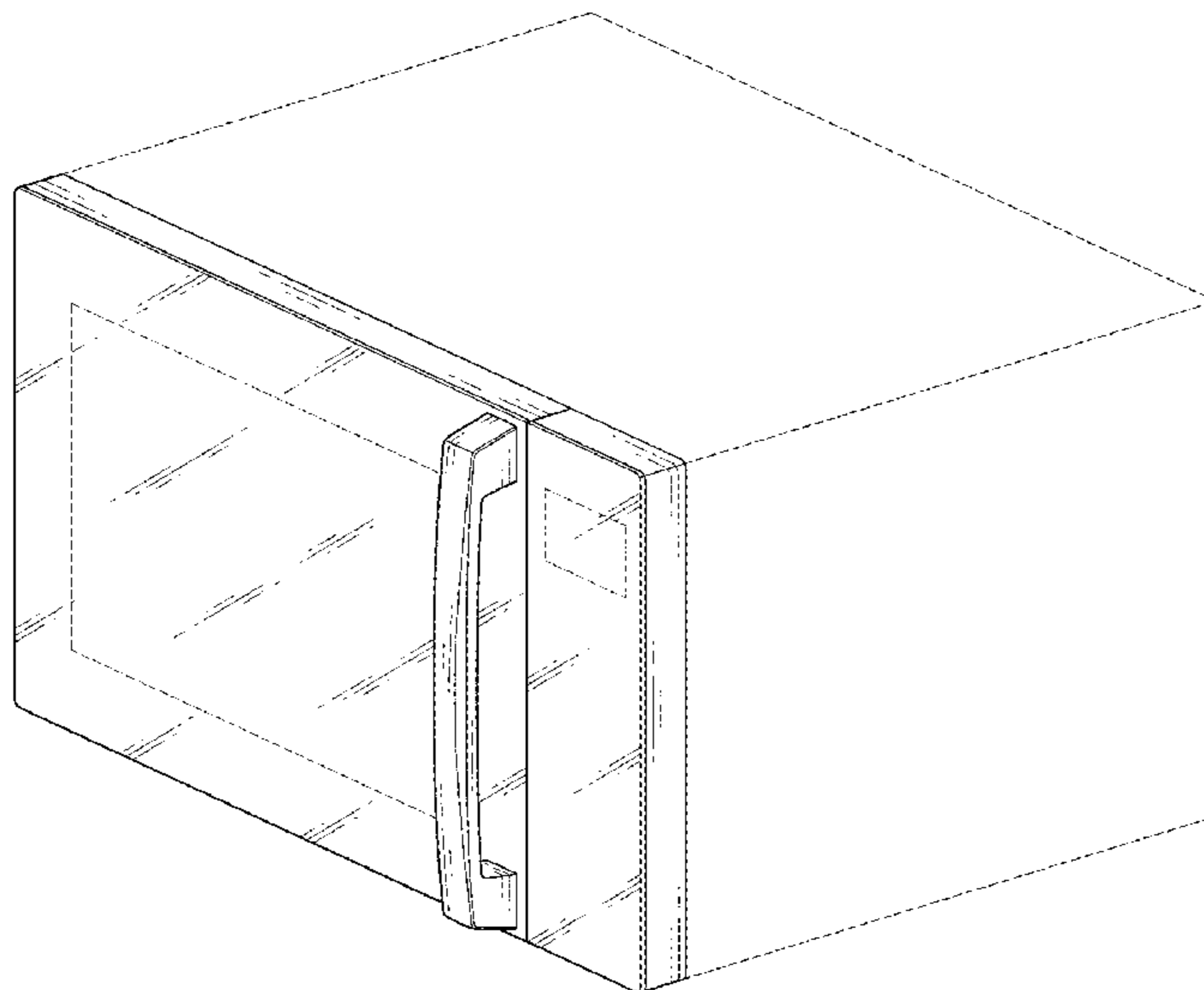
(57) **CLAIM**

We claim the ornamental design for a microwave oven, as shown and described.

**DESCRIPTION**

FIG. 1 is a perspective view of a microwave oven showing our new design;  
FIG. 2 is a front elevation view thereof;  
FIG. 3 is a rear elevation view thereof;  
FIG. 4 is a left-side elevation view thereof;  
FIG. 5 is a right-side elevation view thereof;  
FIG. 6 is a top plan view thereof;  
FIG. 7 is a bottom plan view thereof; and,  
FIG. 8 is a perspective view of a microwave oven, showing a second embodiment of our new design.  
The broken lines in the drawing figures are included for the purpose of illustrating environment and form no part of the claimed design. Anything not shown in FIG. 8, the view showing the second embodiment, forms no part of the claimed design.

**1 Claim, 5 Drawing Sheets**



(56)

**References Cited**

U.S. PATENT DOCUMENTS

D530,973	S	*	10/2006	Lee	.....	D7/351
D535,848	S	*	1/2007	Jeon	.....	D7/351
D539,592	S	*	4/2007	Jeon	.....	D7/350.1
D540,105	S	*	4/2007	Lee	.....	D7/351
D540,614	S	*	4/2007	Jeon	.....	D7/350.1
D550,024	S	*	9/2007	Jeon	.....	D7/350.1
D561,529	S	*	2/2008	Suh	.....	D7/351
D562,057	S	*	2/2008	Kim	.....	D7/351
D607,264	S	*	1/2010	Lee	.....	D7/351
D613,990	S	*	4/2010	Baek	.....	D7/351
D615,805	S	*	5/2010	Baek	.....	D7/351
D633,328	S	*	3/2011	Shin	.....	D7/351
D633,750	S	*	3/2011	Baek	.....	D7/351
D634,576	S	*	3/2011	Baek	.....	D7/351
D675,475	S	*	2/2013	Yoon	.....	D7/351
D705,008	S	*	5/2014	Shin	.....	D7/405

\* cited by examiner

FIG. 1

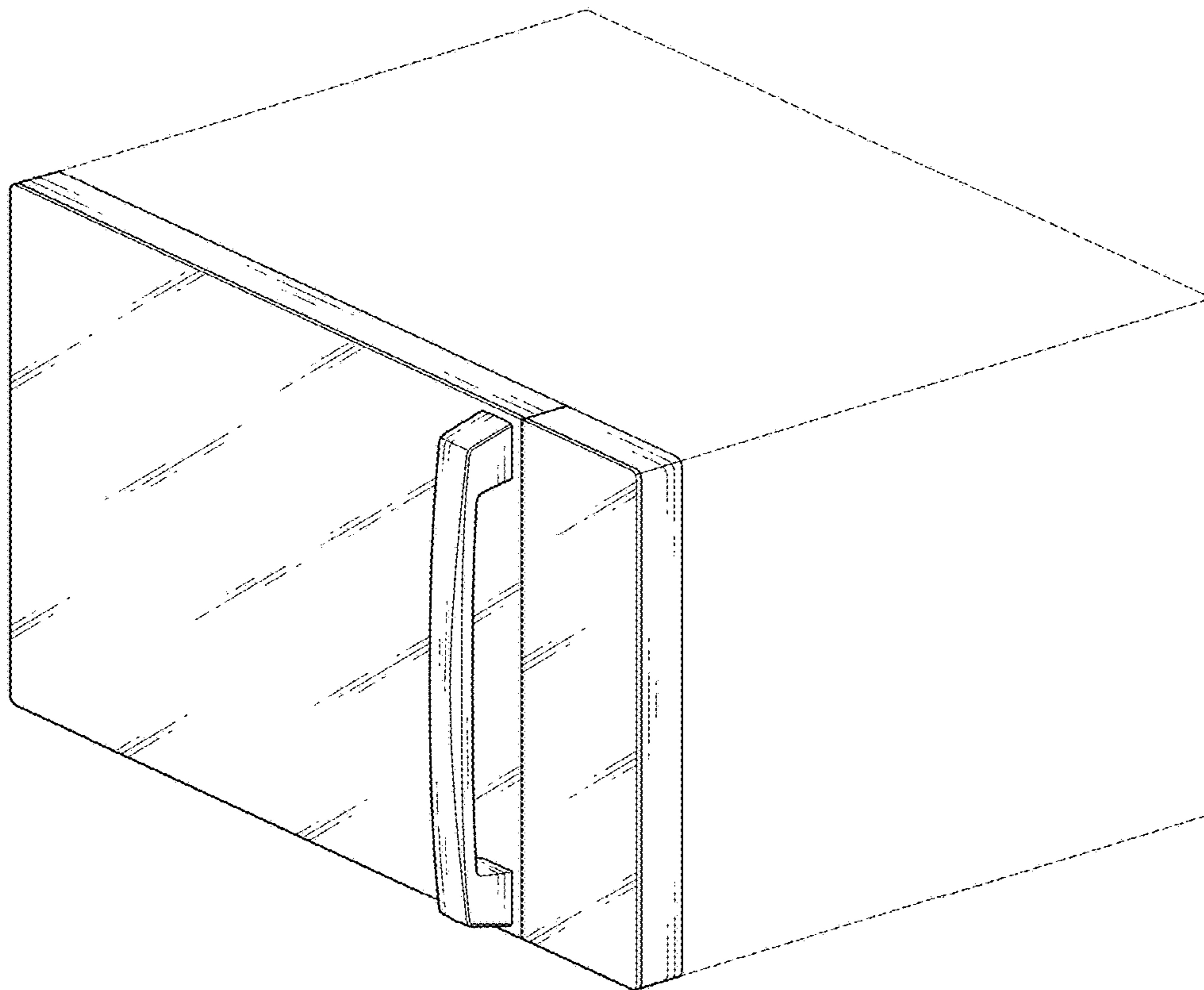


FIG. 2

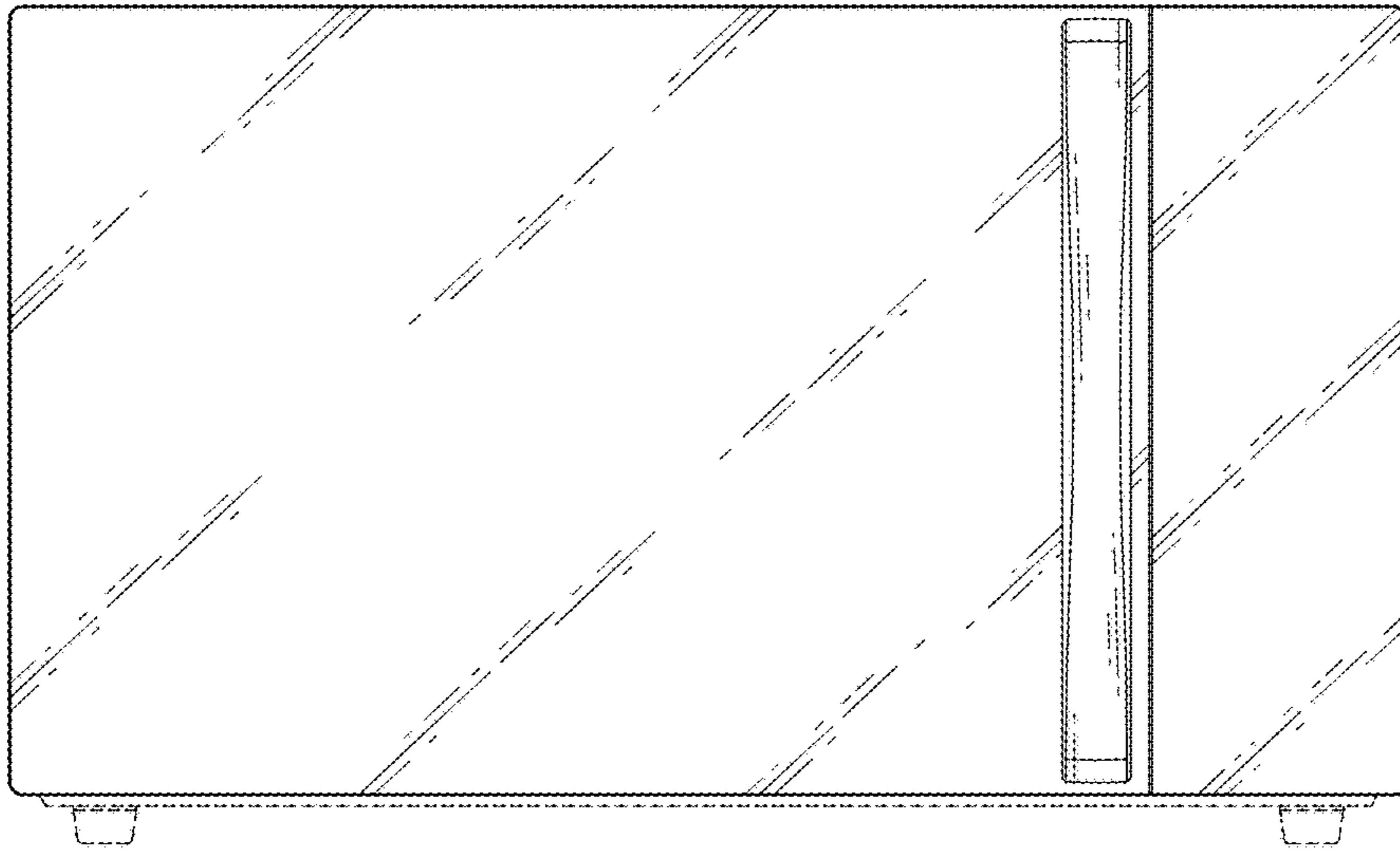


FIG. 3



FIG. 4

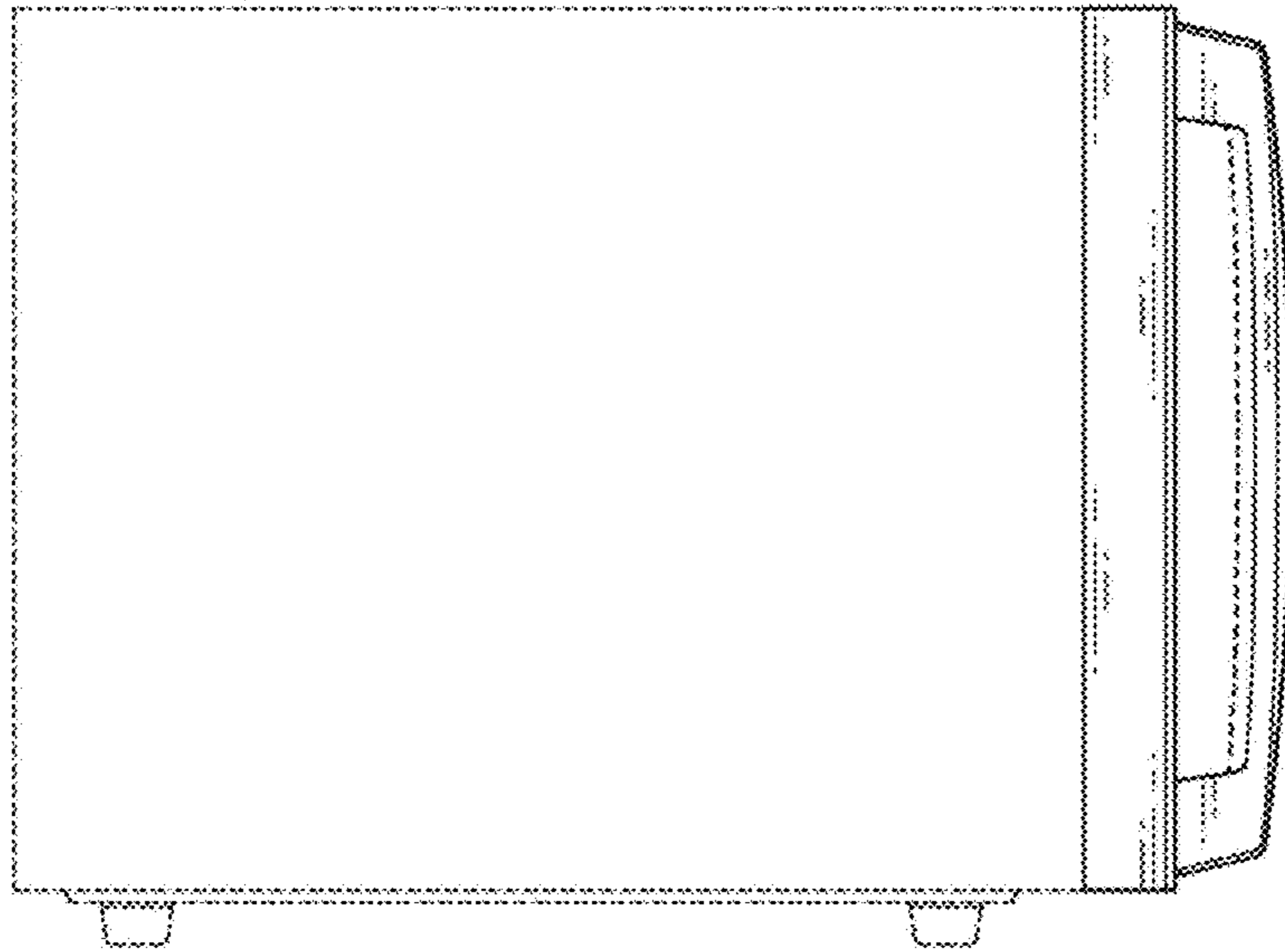


FIG. 5

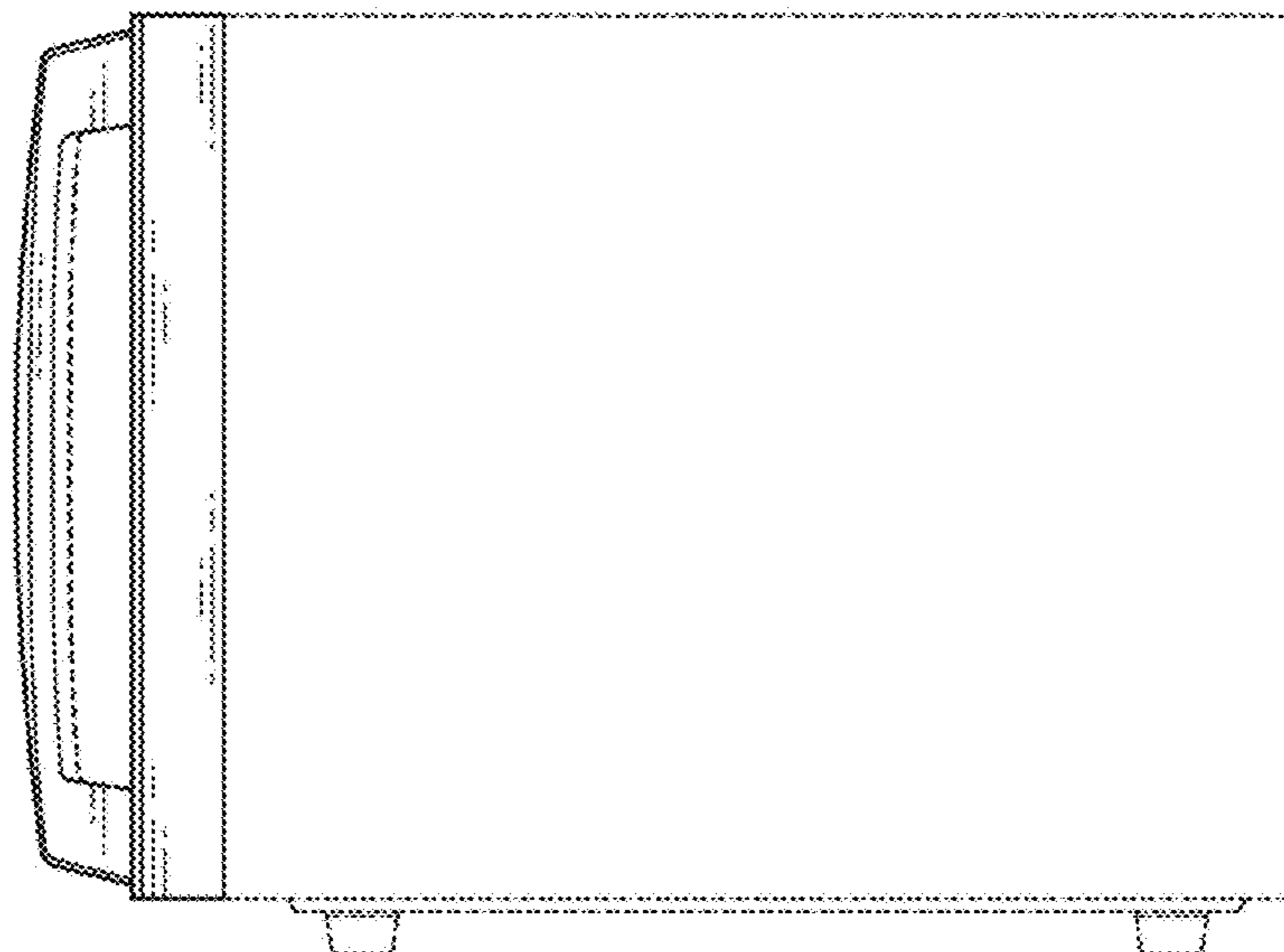


FIG. 6

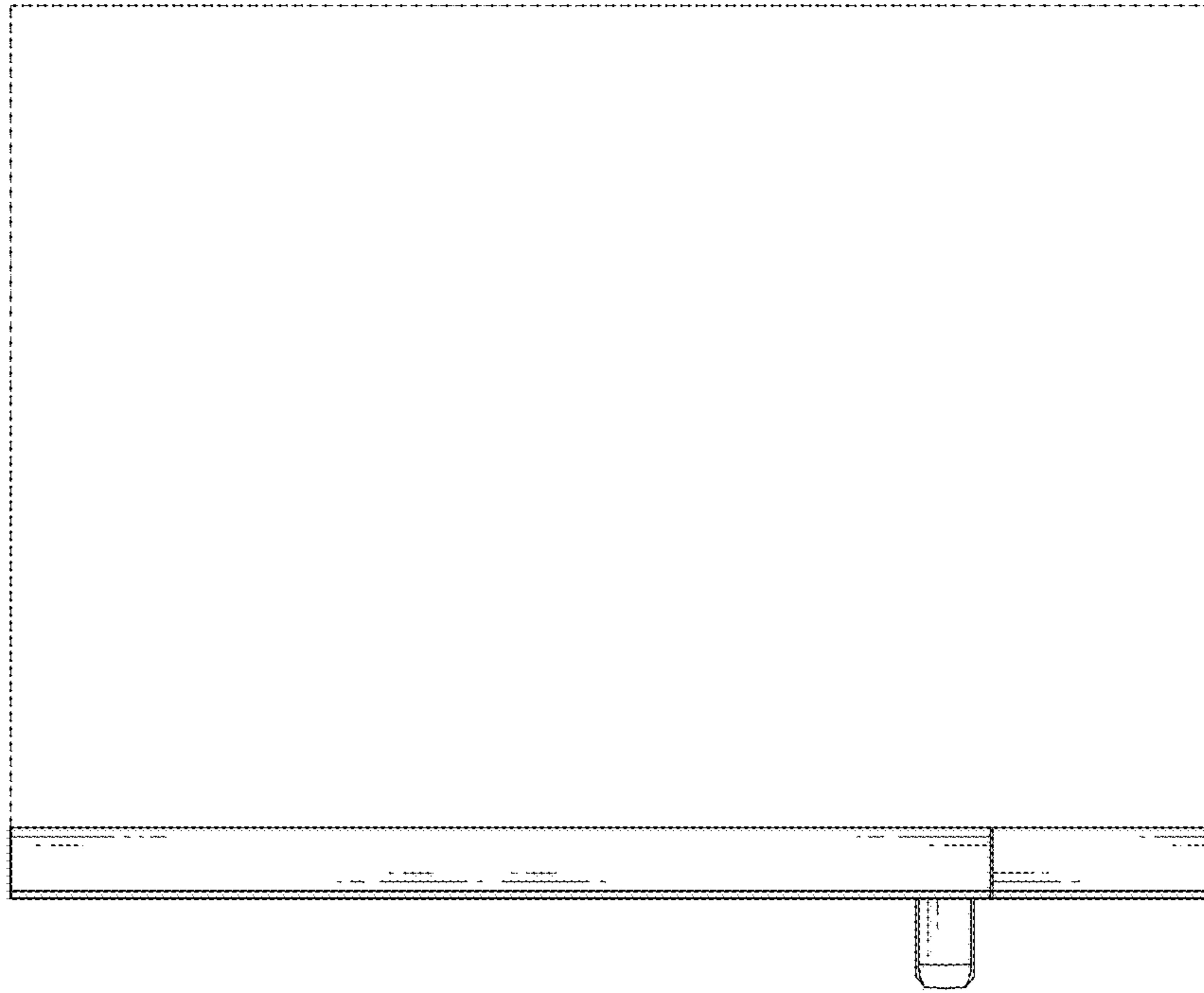


FIG. 7

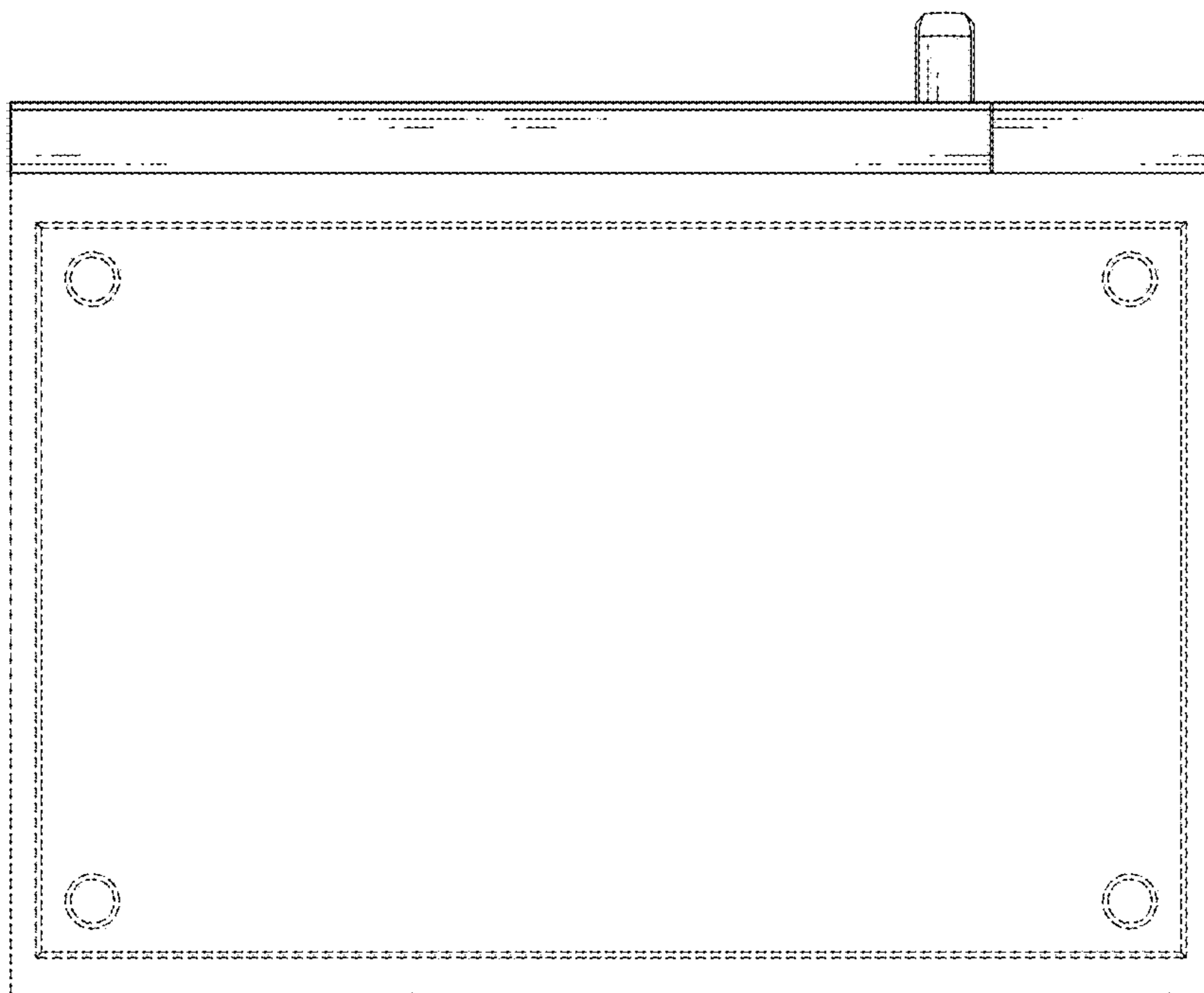


FIG. 8

