

US00D780509S

(12) **United States Design Patent**  
**Riddell**

(10) **Patent No.:** **US D780,509 S**

(45) **Date of Patent:** **\*\* Mar. 7, 2017**

(54) **TAP HANDLE**

(71) Applicant: **Yee-Haw Brewing, LLC**, Johnson City, TN (US)

(72) Inventor: **C. Benjamin Riddell**, Knoxville, TN (US)

(73) Assignee: **YEE-HAW BREWING, LLC**, Johnson City, TN (US)

(\*\*) Term: **15 Years**

(21) Appl. No.: **29/533,907**

(22) Filed: **Jul. 23, 2015**

(51) **LOC (10) Cl.** ..... **07-01**

(52) **U.S. Cl.**  
USPC ..... **D7/398; D7/397**

(58) **Field of Classification Search**  
USPC ..... D7/393, 395, 398, 397, 308, 307, 399;  
D23/250, 205; 141/362  
CPC ..... A63B 5/20; B25F 1/02; D67D 1/1405;  
D67D 1/0872  
See application file for complete search history.

(56) **References Cited**

**U.S. PATENT DOCUMENTS**

- 2,683,550 A \* 7/1954 Mummert ..... E04H 12/30  
220/567
- 3,100,052 A \* 8/1963 Brembeck ..... B65G 65/46  
198/550.2
- D278,457 S \* 4/1985 Schroder ..... D23/205
- D293,360 S \* 12/1987 Anderson, Sr. .... D23/202
- D411,710 S 6/1999 Watters et al.

- D475,888 S \* 6/2003 Celli ..... D7/398
- D485,121 S \* 1/2004 Ahlgrim ..... D7/393
- 7,487,619 B2 \* 2/2009 Glenn ..... E04H 12/30  
220/565
- D619,849 S \* 7/2010 Power ..... D7/397
- D636,224 S 4/2011 Shin
- D738,162 S 9/2015 Watters et al.
- D741,644 S 10/2015 Yoder et al.
- D741,646 S 10/2015 Supple
- D742,166 S \* 11/2015 Hamill ..... D10/68
- D742,167 S 11/2015 Keuhner
- D742,685 S \* 11/2015 Dale ..... D7/397
- D757,490 S \* 5/2016 Keuhner ..... D7/397

\* cited by examiner

*Primary Examiner* — Marianne Pandozzi

(74) *Attorney, Agent, or Firm* — Robinson IP Law, PLLC

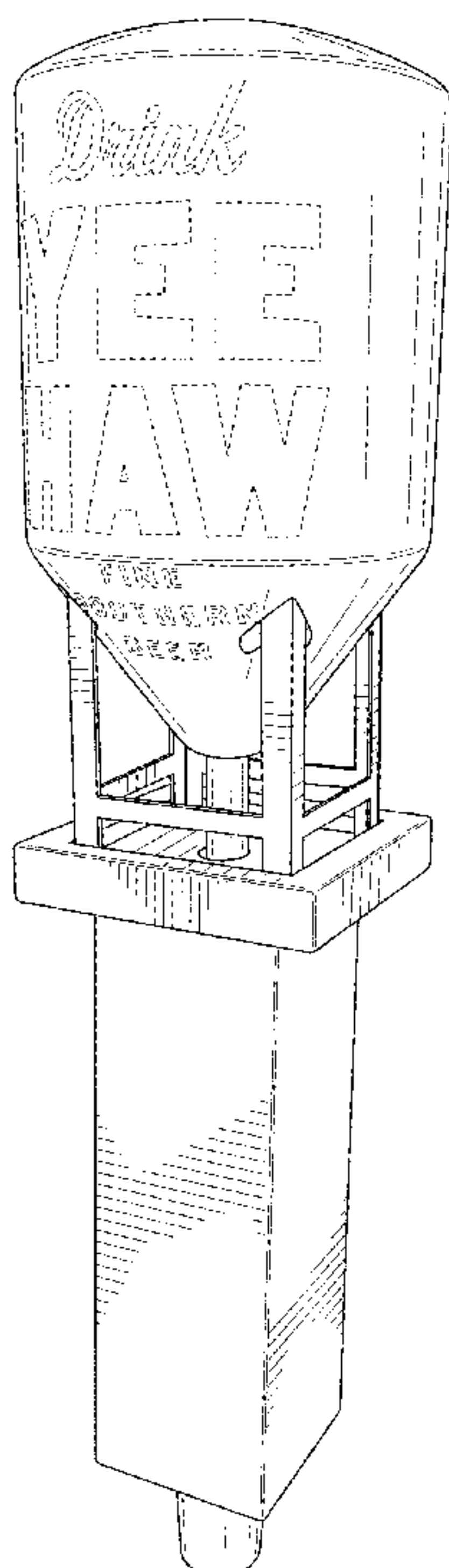
(57) **CLAIM**

The ornamental design for a tap handle, as shown and described.

**DESCRIPTION**

FIG. 1 is a front perspective view of a tap handle showing my new design;  
 FIG. 2 is a front elevational view thereof;  
 FIG. 3 is a rear elevational view thereof;  
 FIG. 4 is a right side elevational view thereof;  
 FIG. 5 is a left side elevational view thereof;  
 FIG. 6 is a top plan view thereof; and,  
 FIG. 7 is a bottom plan view thereof.  
 The broken lines in the drawing depict portions of the tap handle with touchscreen display that form no part of the claimed design.

**1 Claim, 6 Drawing Sheets**



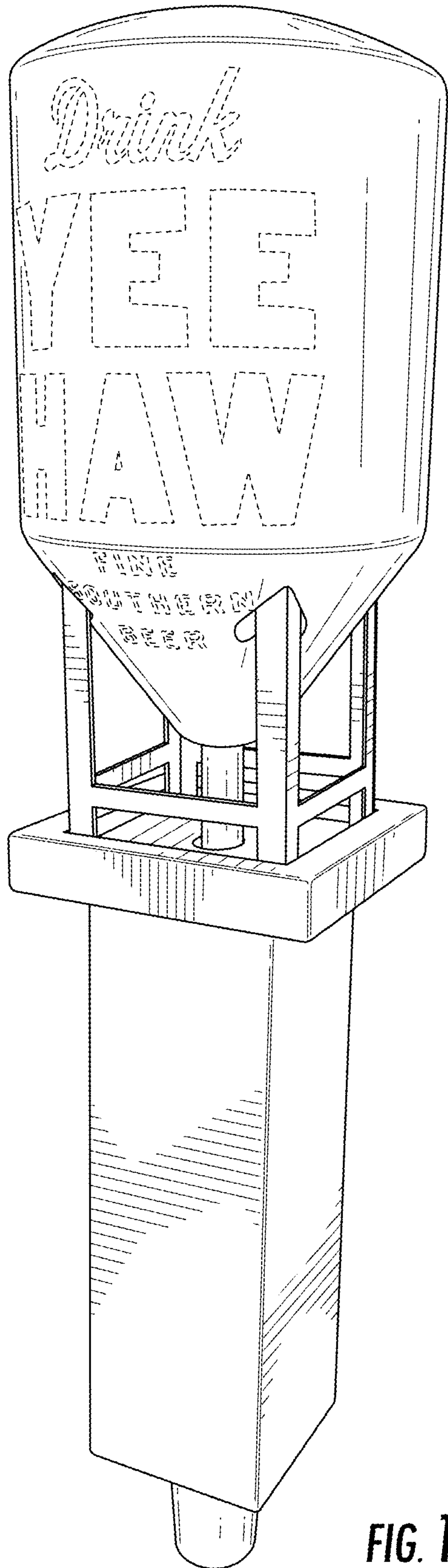


FIG. 1

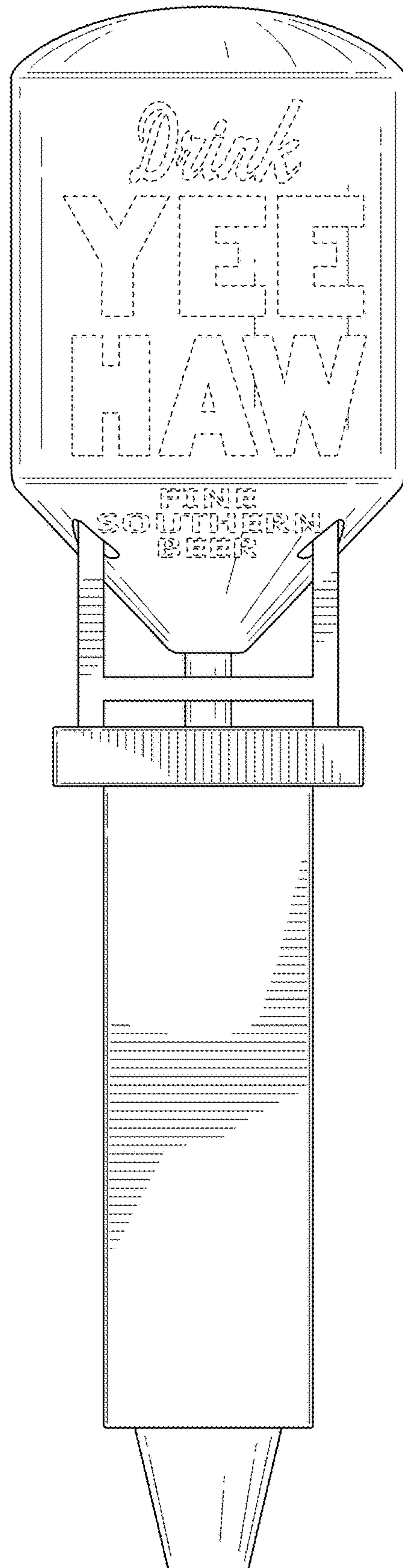


FIG. 2

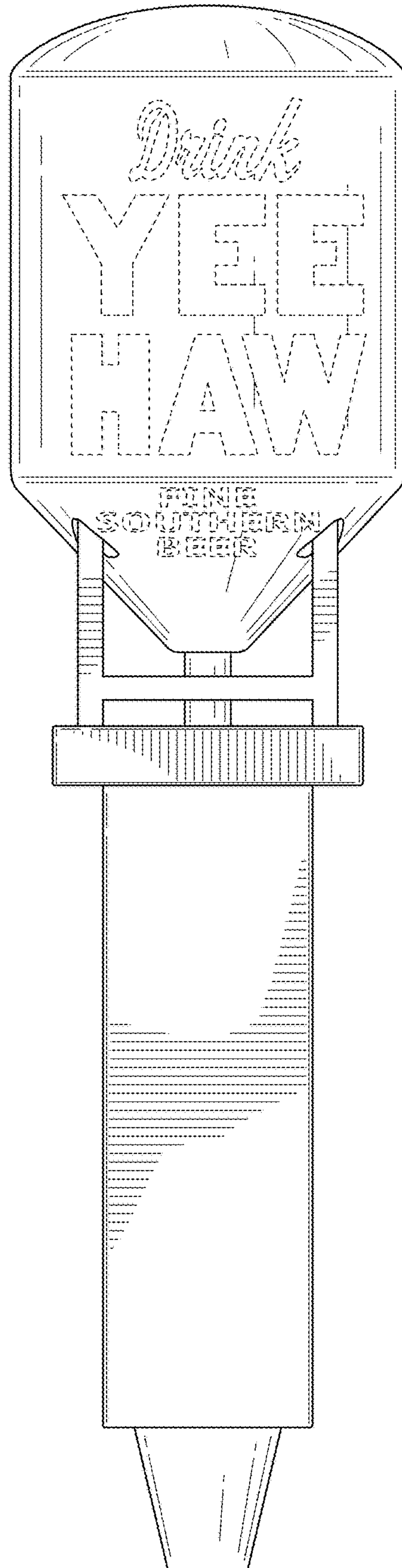


FIG. 3

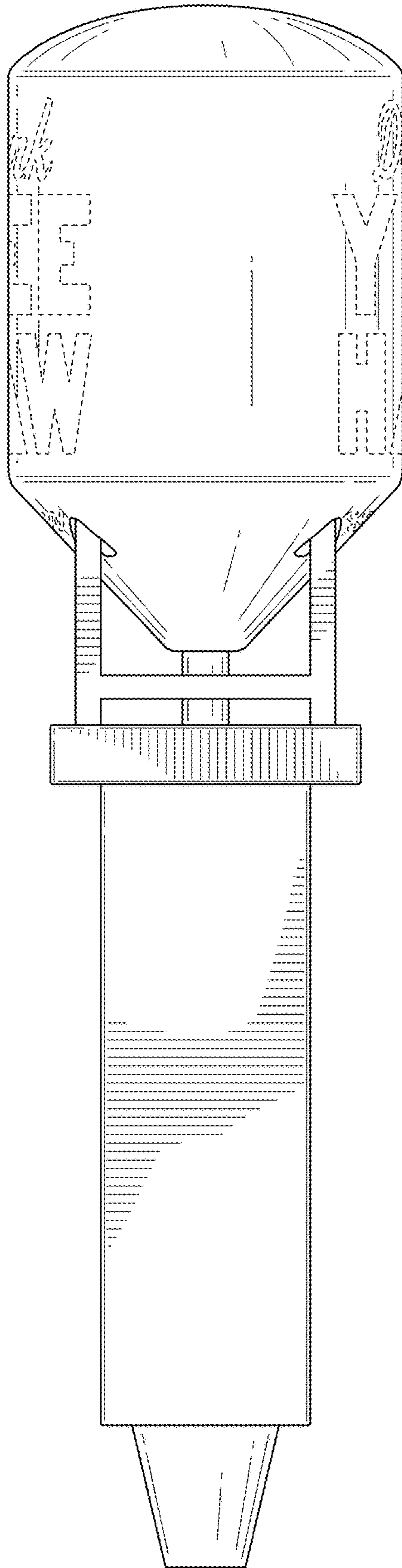


FIG. 4



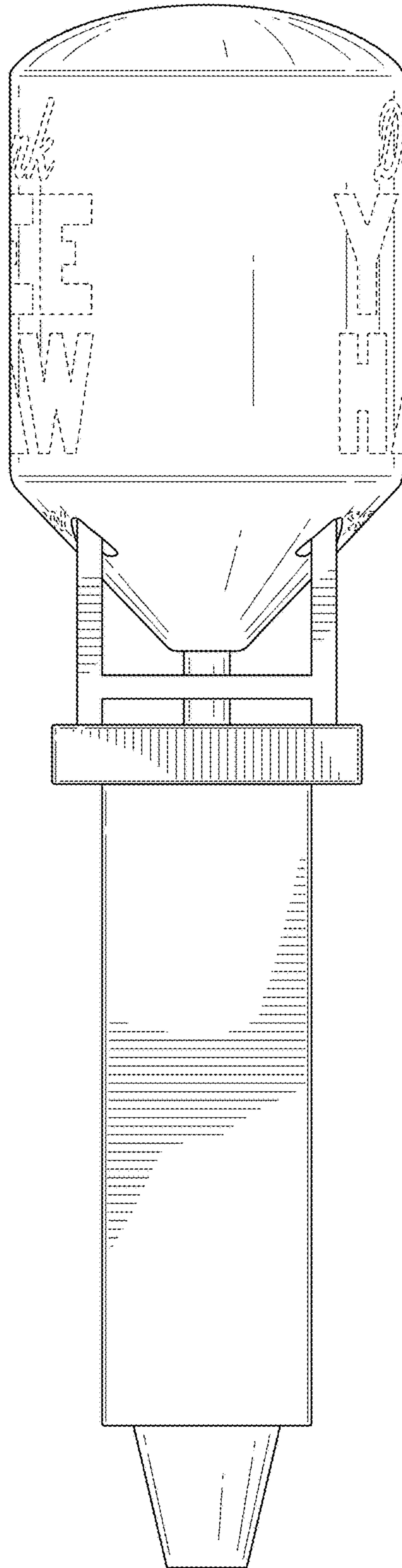
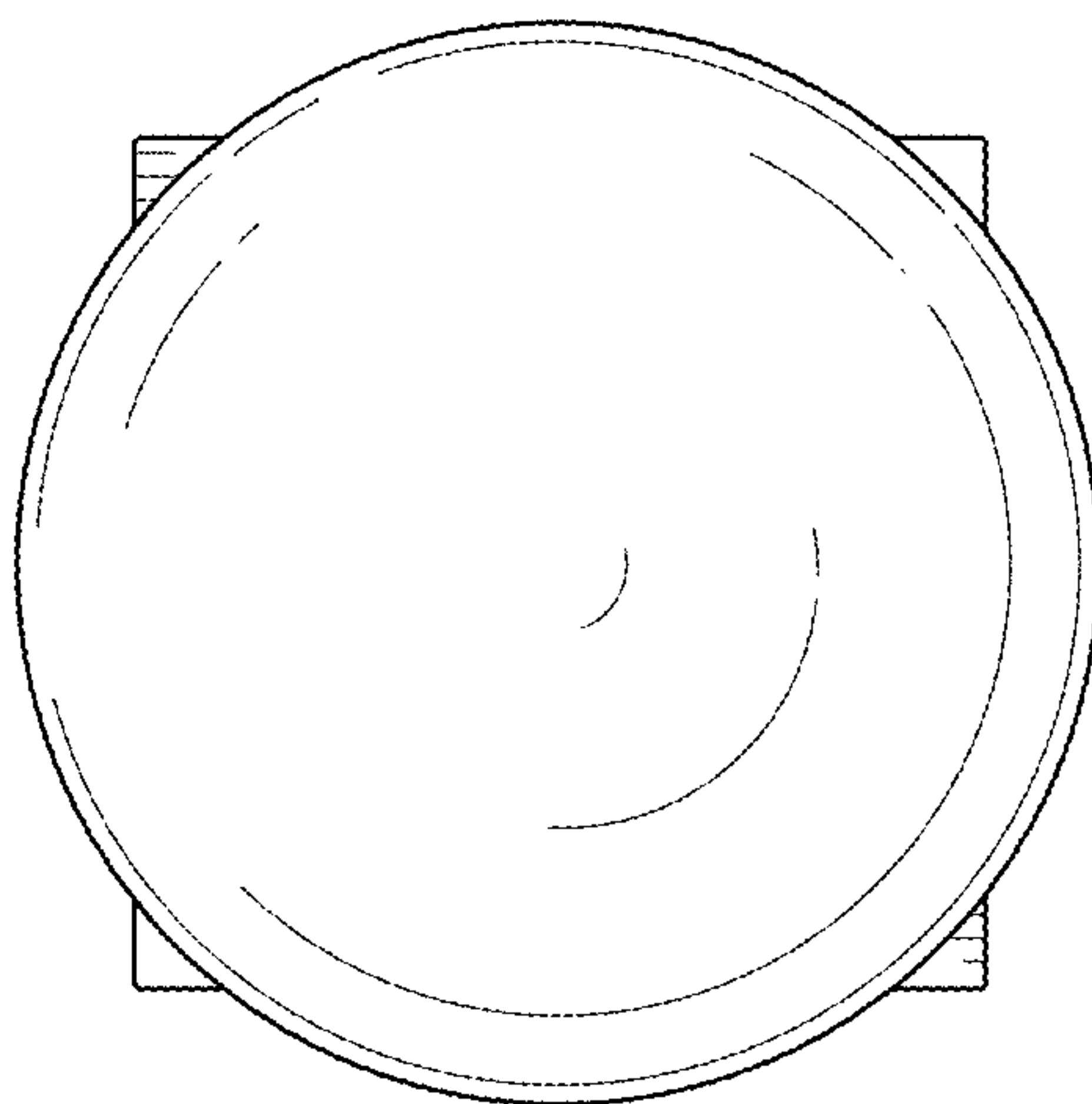
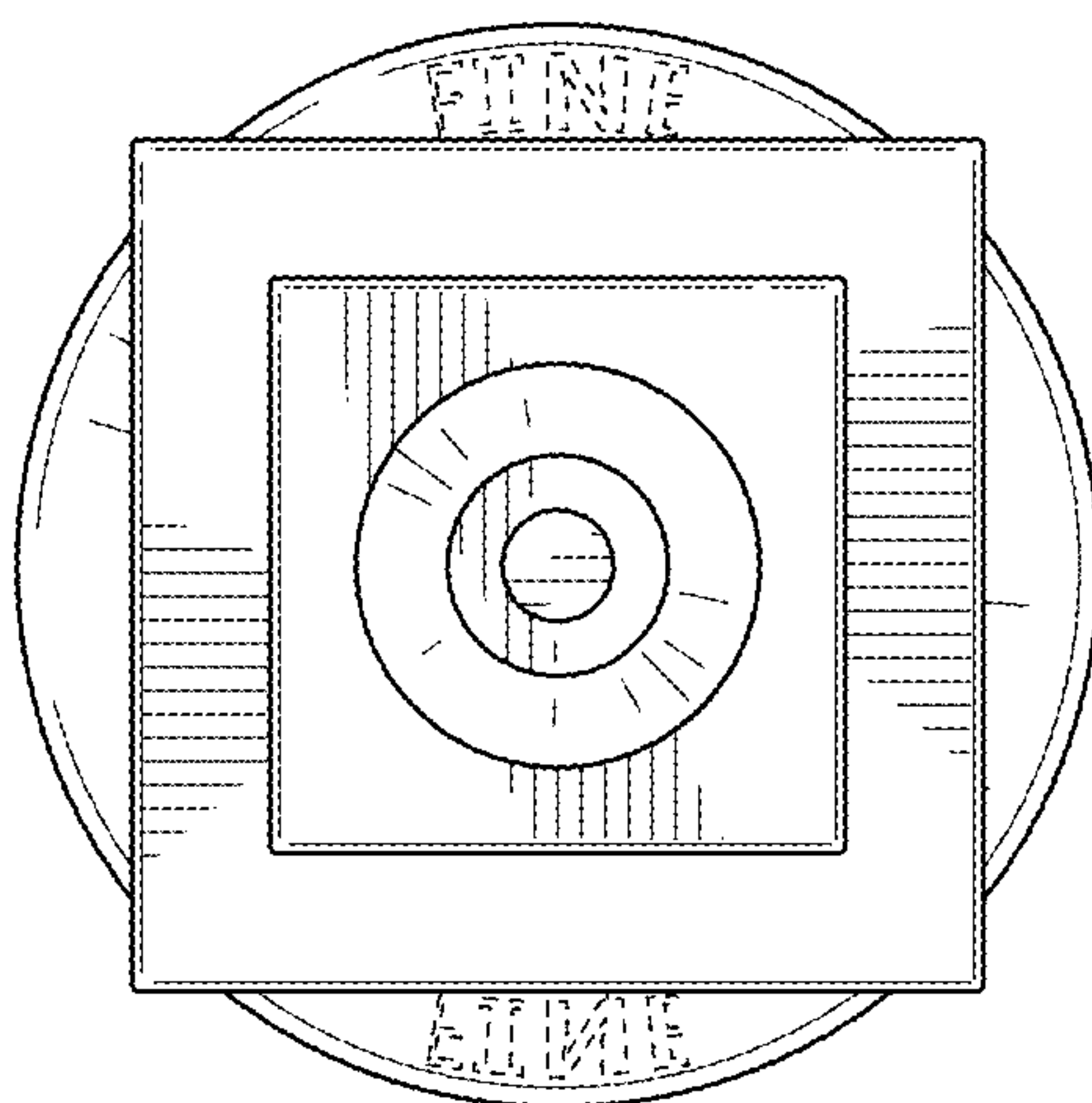


FIG. 5



**FIG. 6**



**FIG. 7**