



US00D780506S

(12) **United States Design Patent**  
**Frey et al.**

(10) **Patent No.:** **US D780,506 S**  
(45) **Date of Patent:** **\*\* Mar. 7, 2017**

(54) **FOOD PROCESSOR**

(71) Applicant: **TIGURIAN ATLANTIC COMPANY LLC**, New Canaan, CT (US)

(72) Inventors: **Johannes M. Frey**, New Canaan, CT (US); **Kristin Lende Frey**, New Canaan, CT (US)

(73) Assignee: **TIGURIAN ATLANTIC COMPANY LLC**, New Canaan, CT (US)

(\*\*) Term: **14 Years**

(21) Appl. No.: **29/521,702**

(22) Filed: **Mar. 26, 2015**

(51) **LOC (10) Cl.** ..... **31-00**

(52) **U.S. Cl.**  
USPC ..... **D7/384**; D7/376; D7/412

(58) **Field of Classification Search**  
USPC ..... D7/372, 376-386, 412-413, 602, 629,  
D7/665-666, 669, 679, 693-694  
(Continued)

(56) **References Cited**

U.S. PATENT DOCUMENTS

D183,384 S \* 8/1958 de Mille ..... D7/372  
4,588,136 A \* 5/1986 Homma ..... A23G 9/045  
241/168

(Continued)

*Primary Examiner* — Ricky Pham

(74) *Attorney, Agent, or Firm* — Cantor Colburn LLP

(57) **CLAIM**

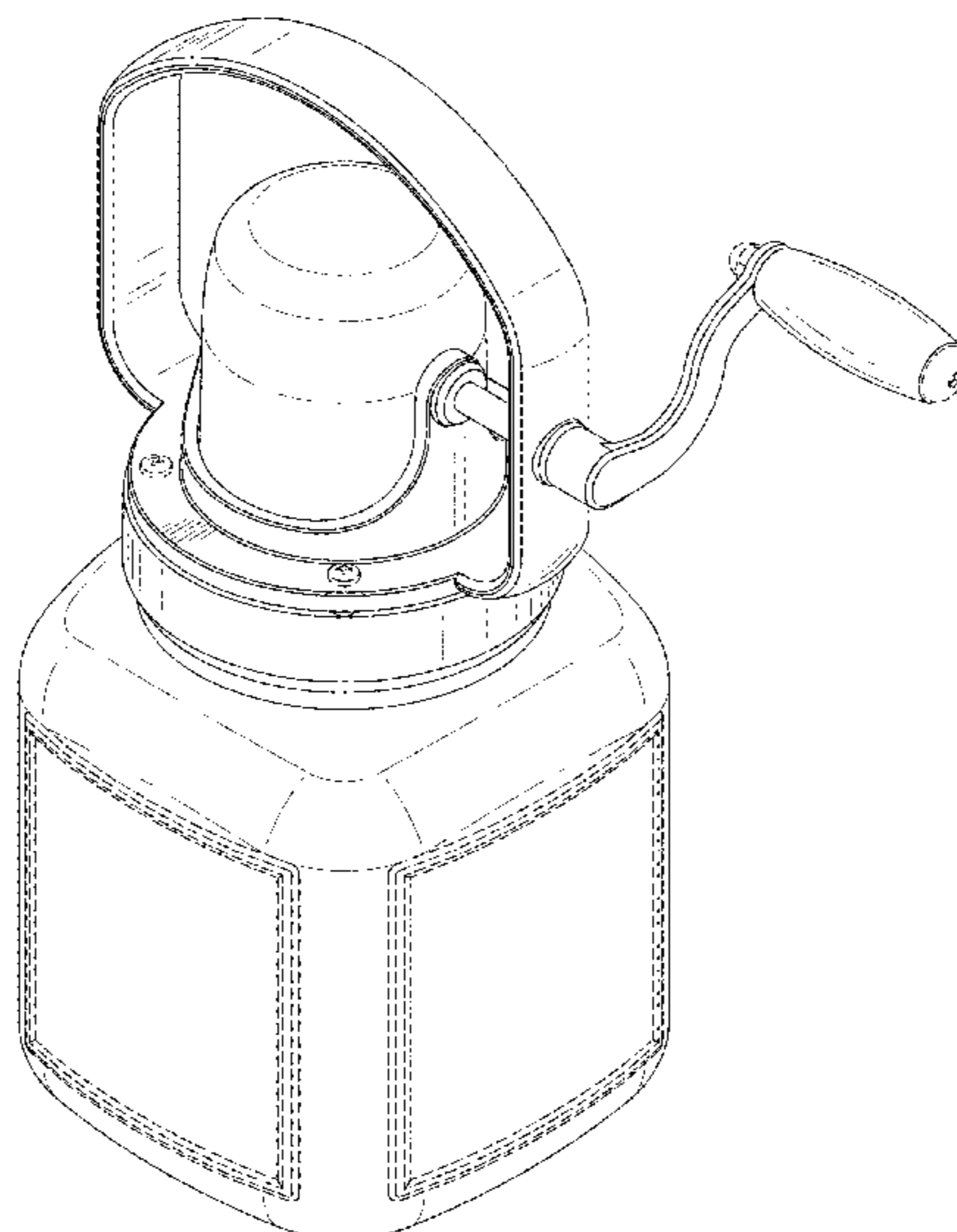
We claim, an ornamental design for a food processor, as shown and described.

**DESCRIPTION**

FIG. 1 is a top front perspective view of a food processor, showing our new design in an embodiment;

FIG. 2 is a bottom front perspective view thereof;  
FIG. 3 is a front elevation view thereof;  
FIG. 4 is a rear elevation view thereof;  
FIG. 5 is a left elevation view thereof;  
FIG. 6 is a right elevation view thereof;  
FIG. 7 is a top plan view thereof;  
FIG. 8 is a bottom plan view thereof;  
FIG. 9 is a top front perspective view of a food processor, showing our new design in another embodiment;  
FIG. 10 is a bottom front perspective view of the embodiment of FIG. 9;  
FIG. 11 is a front elevation view of the embodiment of FIG. 9;  
FIG. 12 is a rear elevation view of the embodiment of FIG. 9;  
FIG. 13 is a left elevation view of the embodiment of FIG. 9;  
FIG. 14 is a right elevation view of the embodiment of FIG. 9;  
FIG. 15 is a top plan view of the embodiment of FIG. 9; and, FIG. 16 is a bottom plan view of the embodiment of FIG. 9. The oblique line shading rendered on the outer portion of the food processor shown in FIGS. 9-16 represents transparency. The degree of transparency of the elements which are indicated as transparent forms no part of the claimed design. The wood-pattern lines shown in FIGS. 9-16 indicate that the indicated portion of the handle comprises a wood appearance.  
The broken-line disclosure in the views is understood to form part of the environment in which the claimed design is embodied and forms no part of the claimed design.  
The color of the food processor forms no part of claimed design, the food processor may be any color or combination of colors.  
The food processor may be used as a butter churn, as an ice cream maker, as a confectioner's mixer, or as a drink mixer such as a cocktail mixer or a milkshake maker.

**1 Claim, 16 Drawing Sheets**



(58) **Field of Classification Search**

CPC ..... A21C 1/02; A21C 1/04; A23G 9/045;  
A23N 1/00; A23N 1/02; A47J  
43/04; A47J 43/255; A47J 43/25; A47J  
43/27; A47J 43/042; A47J 43/044; A47J  
43/046; A47J 43/075; A47J  
43/0722; A47J 43/0727; B01F 3/00; B01F  
3/0807; B01F 3/0853; B01F  
13/0059; B01F 13/0064; B02C  
1/08; B02C 2/04; B02C 4/42; B02C  
4/142; B02C 4/143; B02C 4/423; B02C  
13/1835; B28C 5/10; B28C 5/12; B28C  
5/14; B28C 5/16

See application file for complete search history.

(56) **References Cited**

U.S. PATENT DOCUMENTS

|           |    |   |         |         |       |                          |
|-----------|----|---|---------|---------|-------|--------------------------|
| D391,804  | S  | * | 3/1998  | Wong    | ..... | D7/376                   |
| D413,761  | S  | * | 9/1999  | Conran  | ..... | D7/376                   |
| D427,011  | S  | * | 6/2000  | Yip     | ..... | D7/384                   |
| D431,426  | S  | * | 10/2000 | Yip     | ..... | D7/679                   |
| D434,597  | S  | * | 12/2000 | Yip     | ..... | D7/384                   |
| D447,017  | S  | * | 8/2001  | Jalet   | ..... | D7/693                   |
| D479,675  | S  | * | 9/2003  | Yip     | ..... | D7/384                   |
| D484,738  | S  | * | 1/2004  | Wong    | ..... | D7/372                   |
| D575,099  | S  | * | 8/2008  | Jalet   | ..... | D7/376                   |
| D577,257  | S  | * | 9/2008  | Kuan    | ..... | D7/384                   |
| 8,789,781 | B2 | * | 7/2014  | Sampaio | ..... | A47J 43/255<br>241/169.2 |

\* cited by examiner

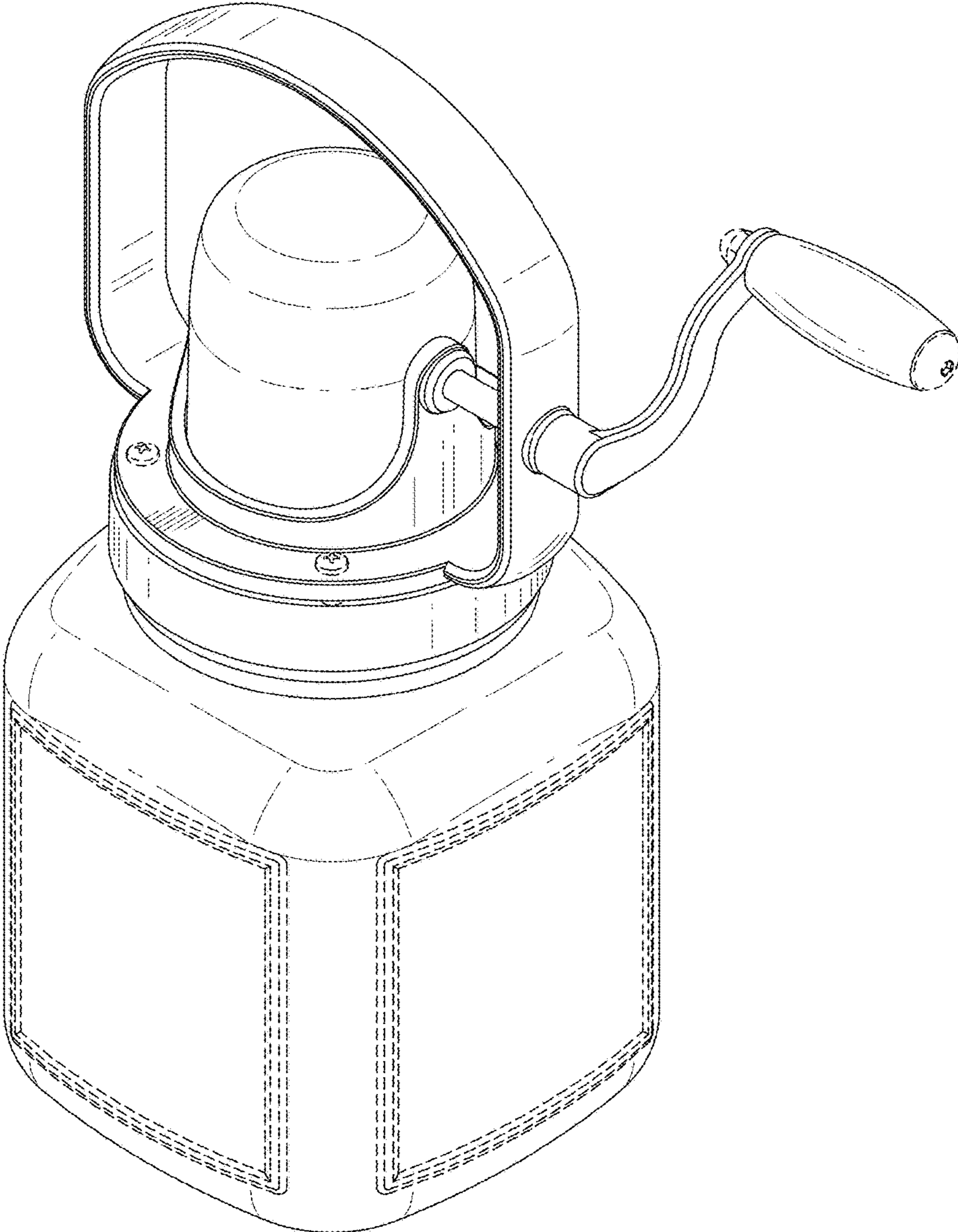


FIG. 1

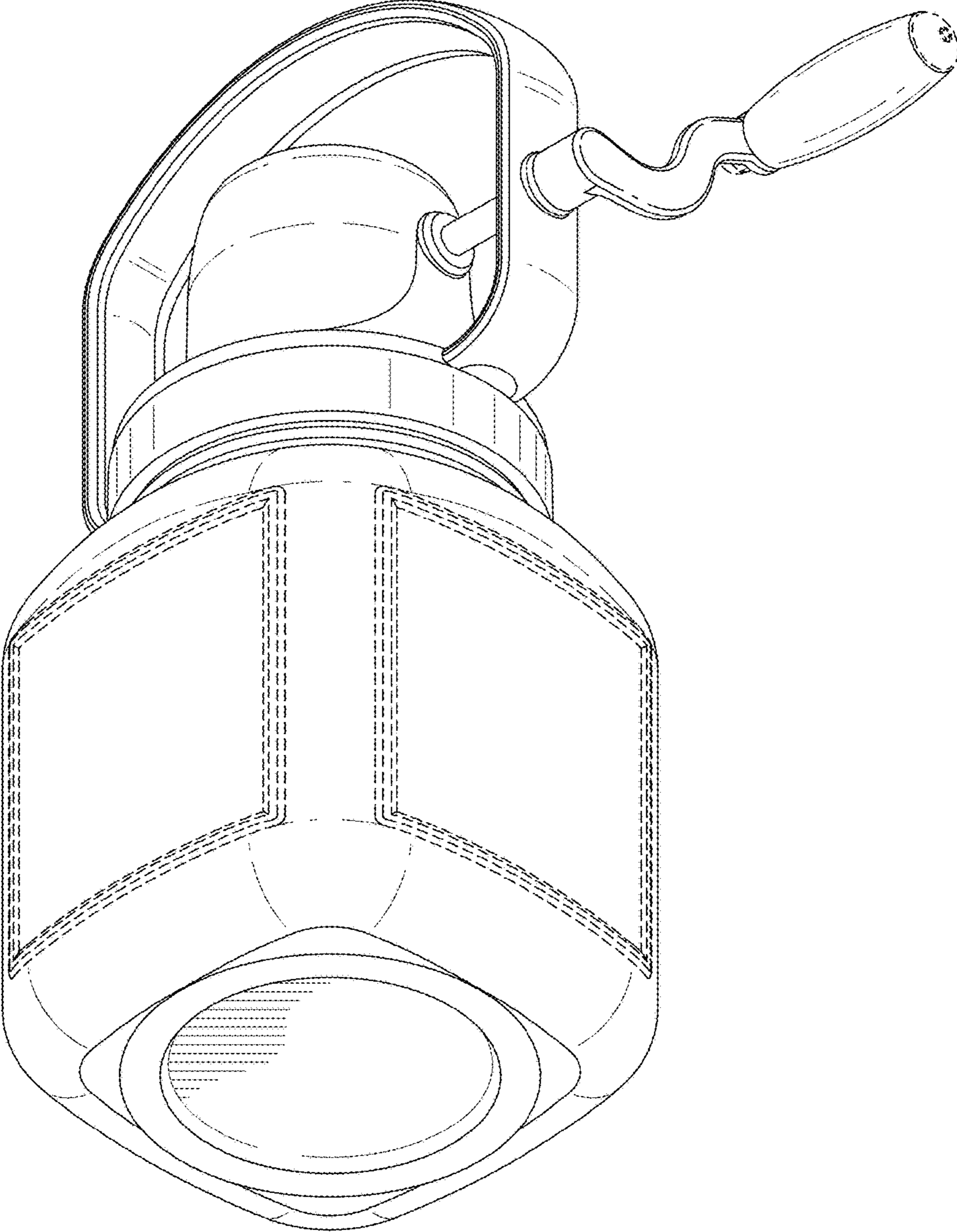


FIG. 2

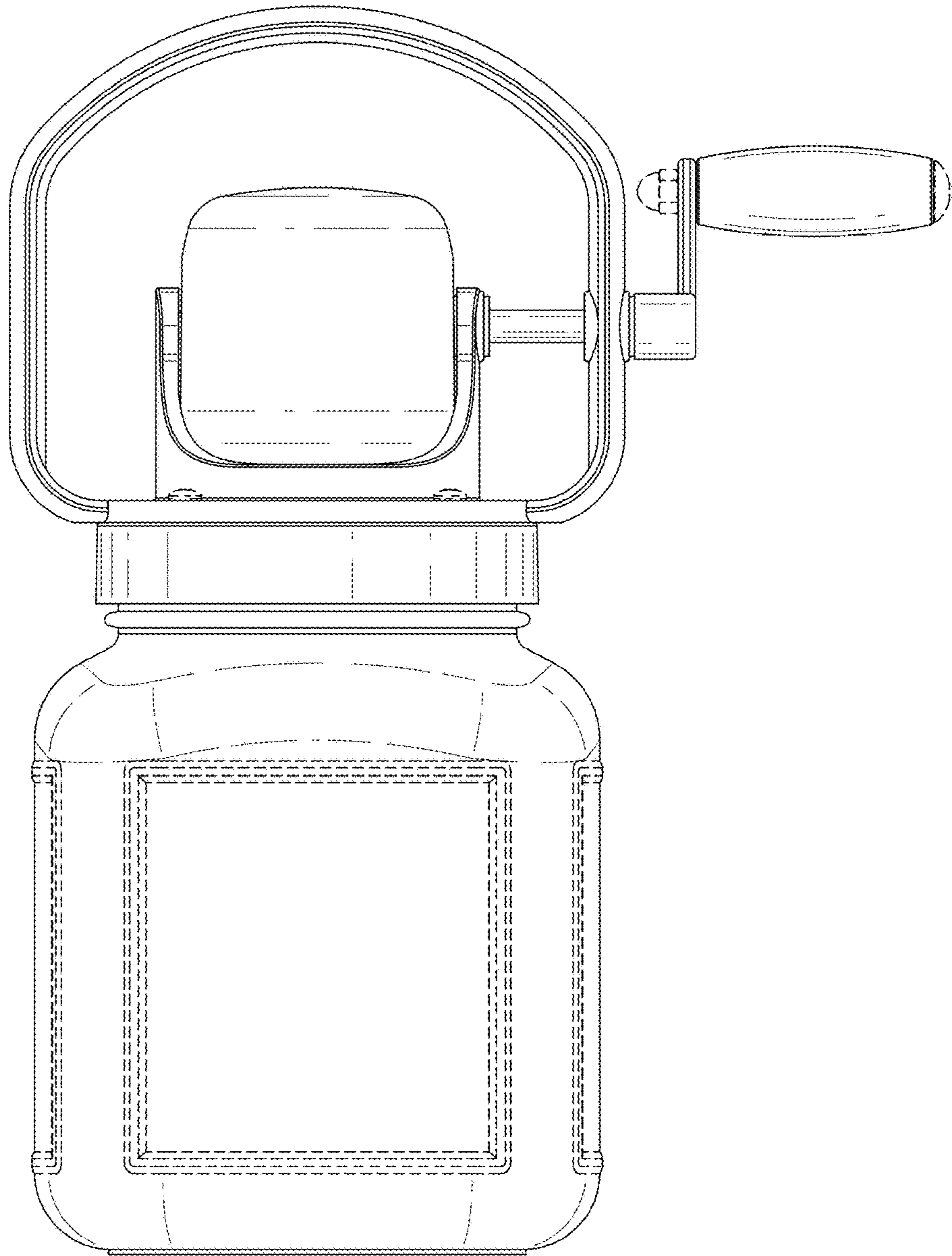


FIG. 3

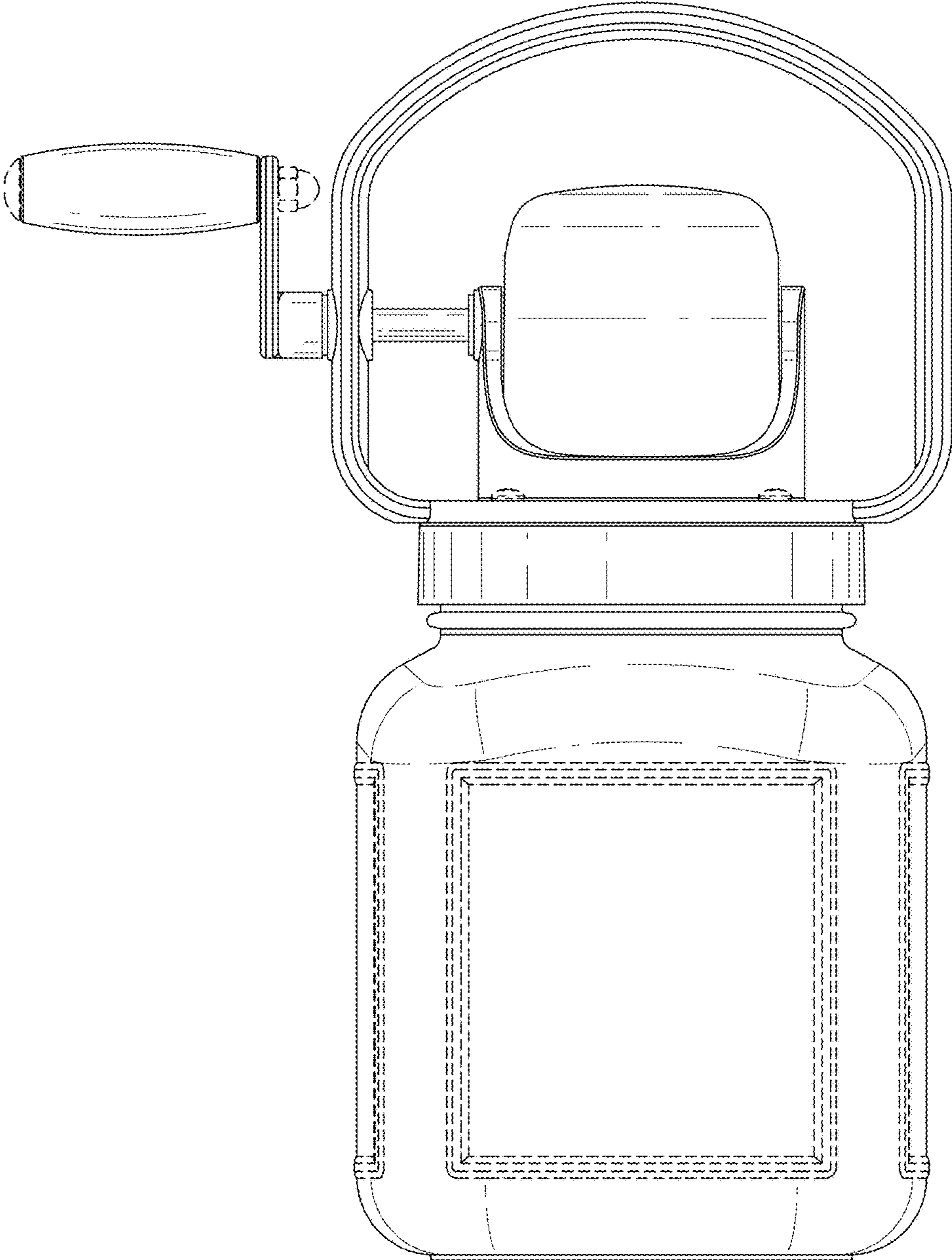


FIG.4

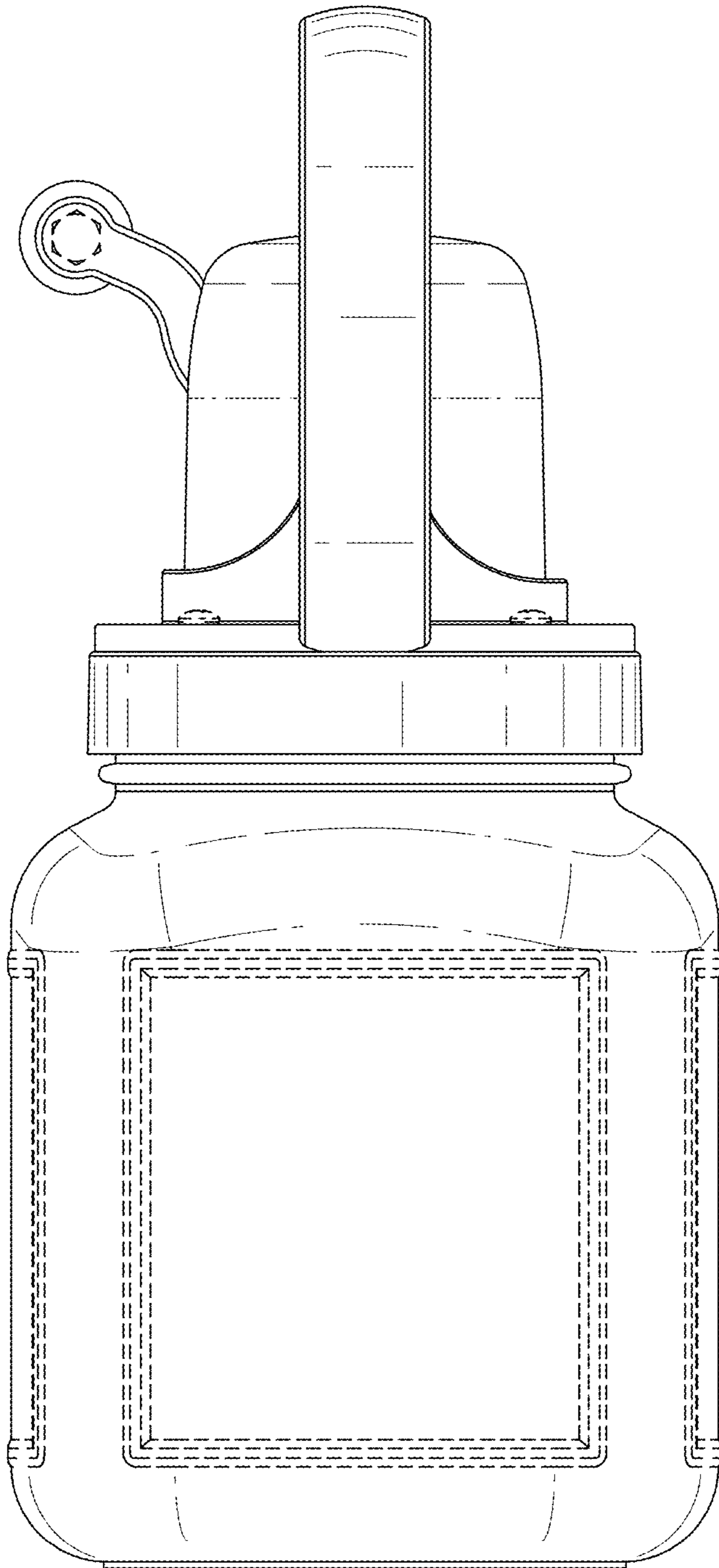


FIG. 5

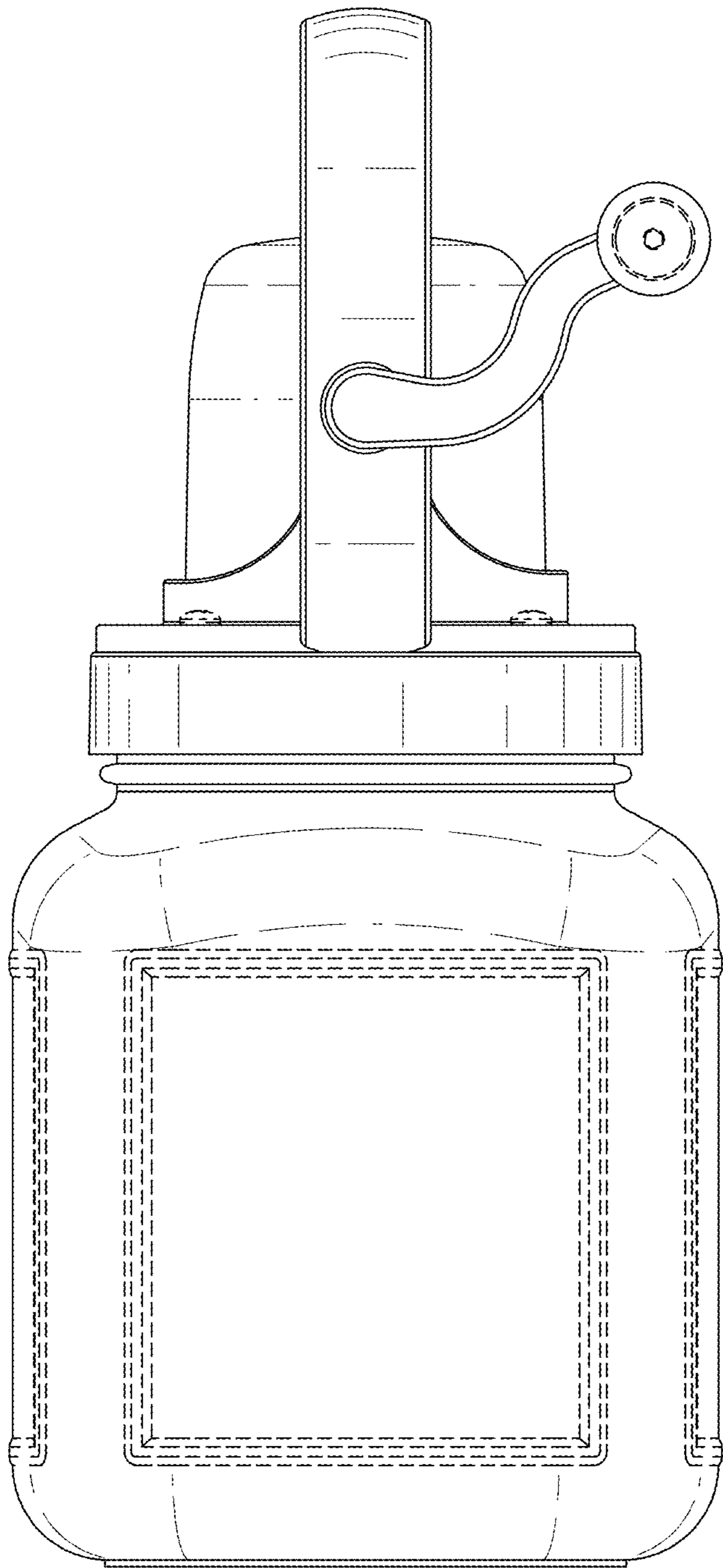


FIG. 6



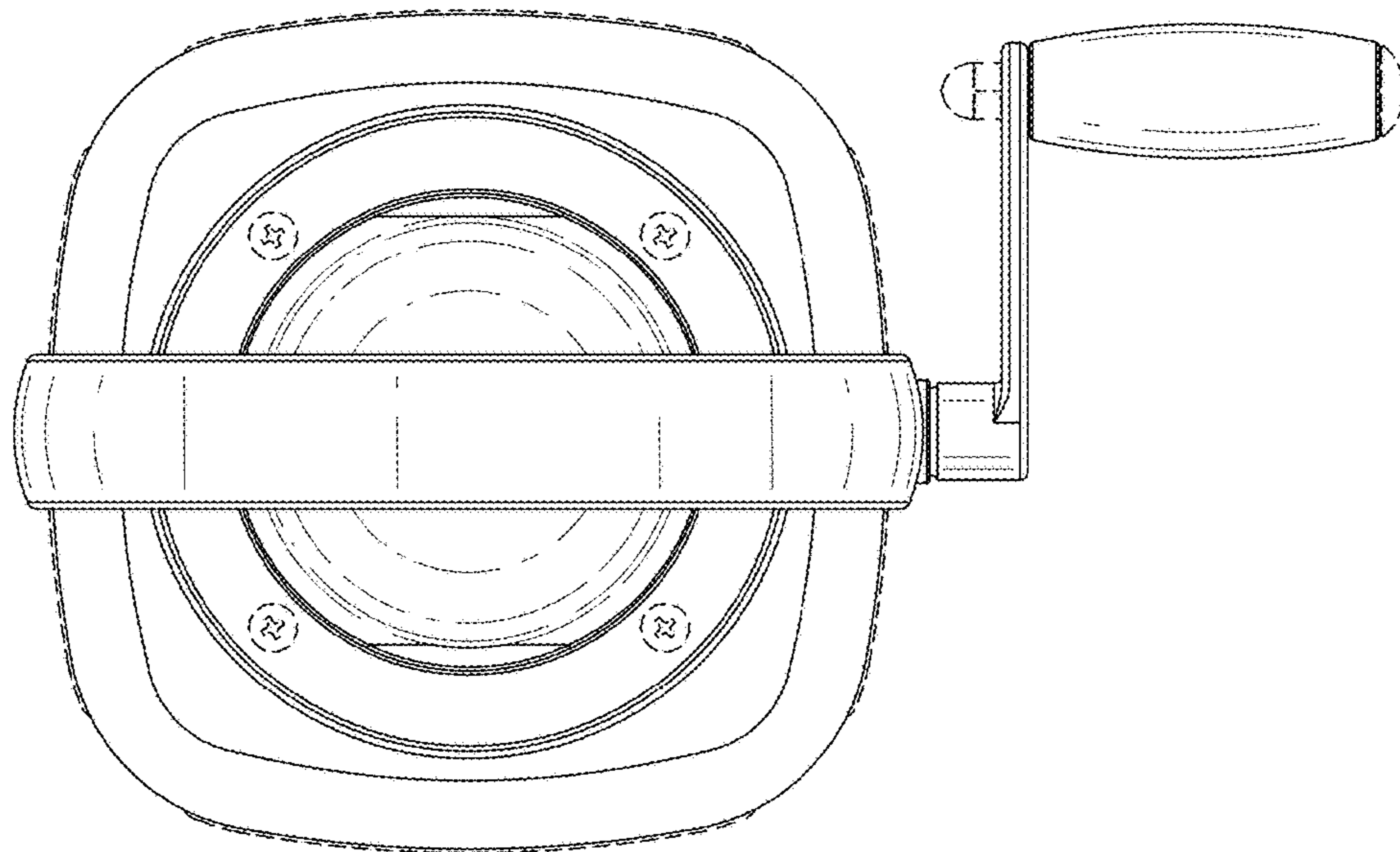


FIG. 7

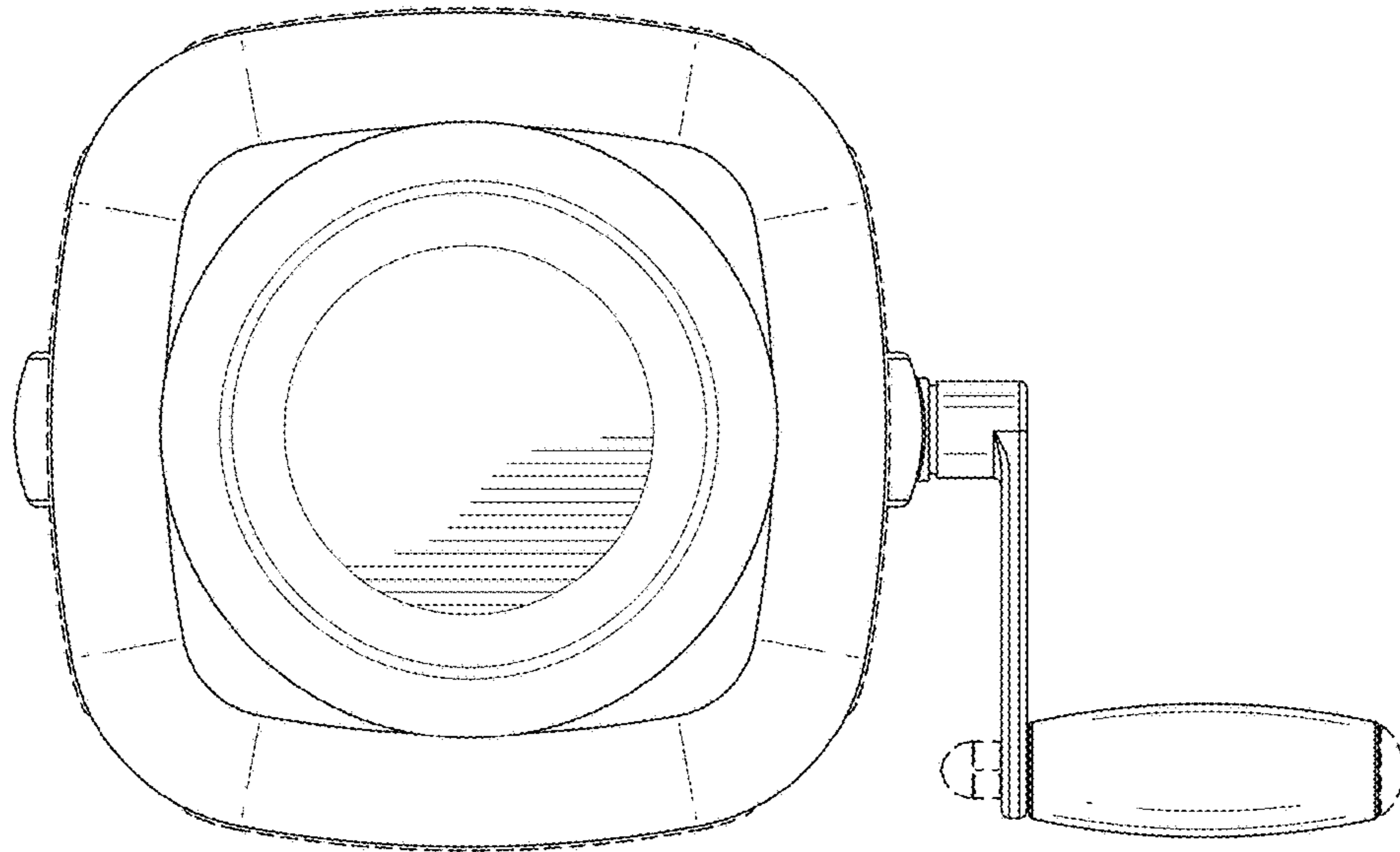


FIG. 8

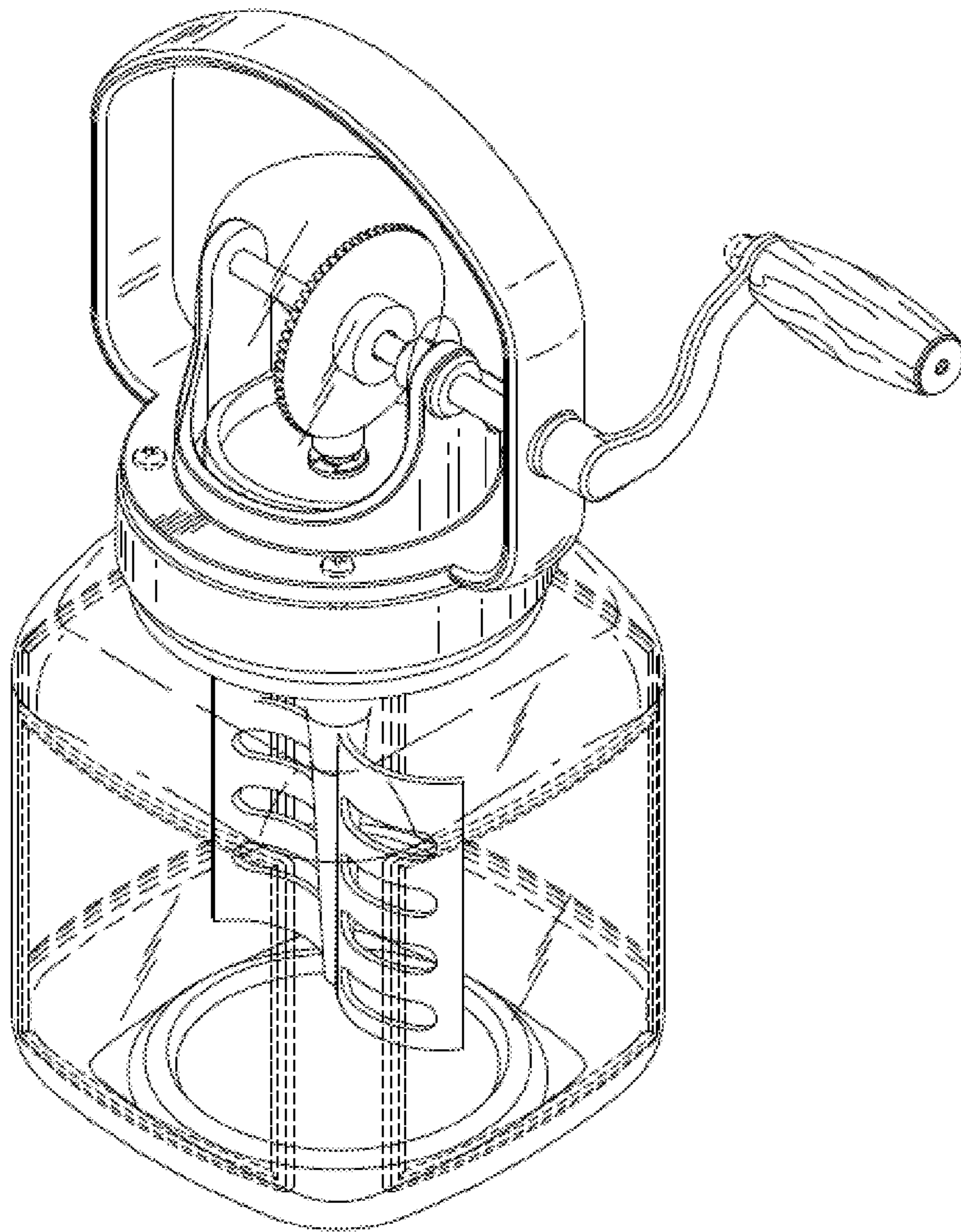


FIG. 9

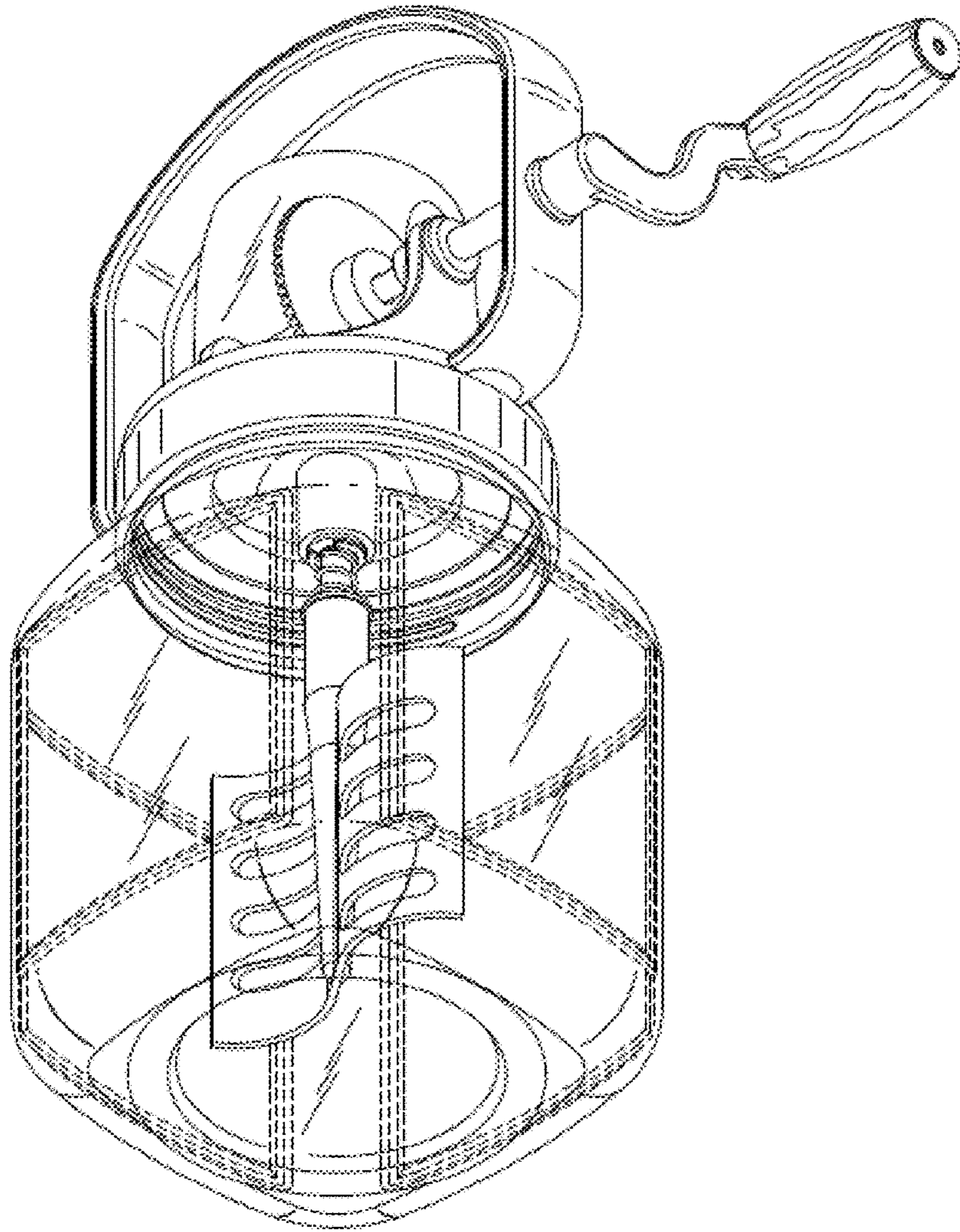


FIG. 10

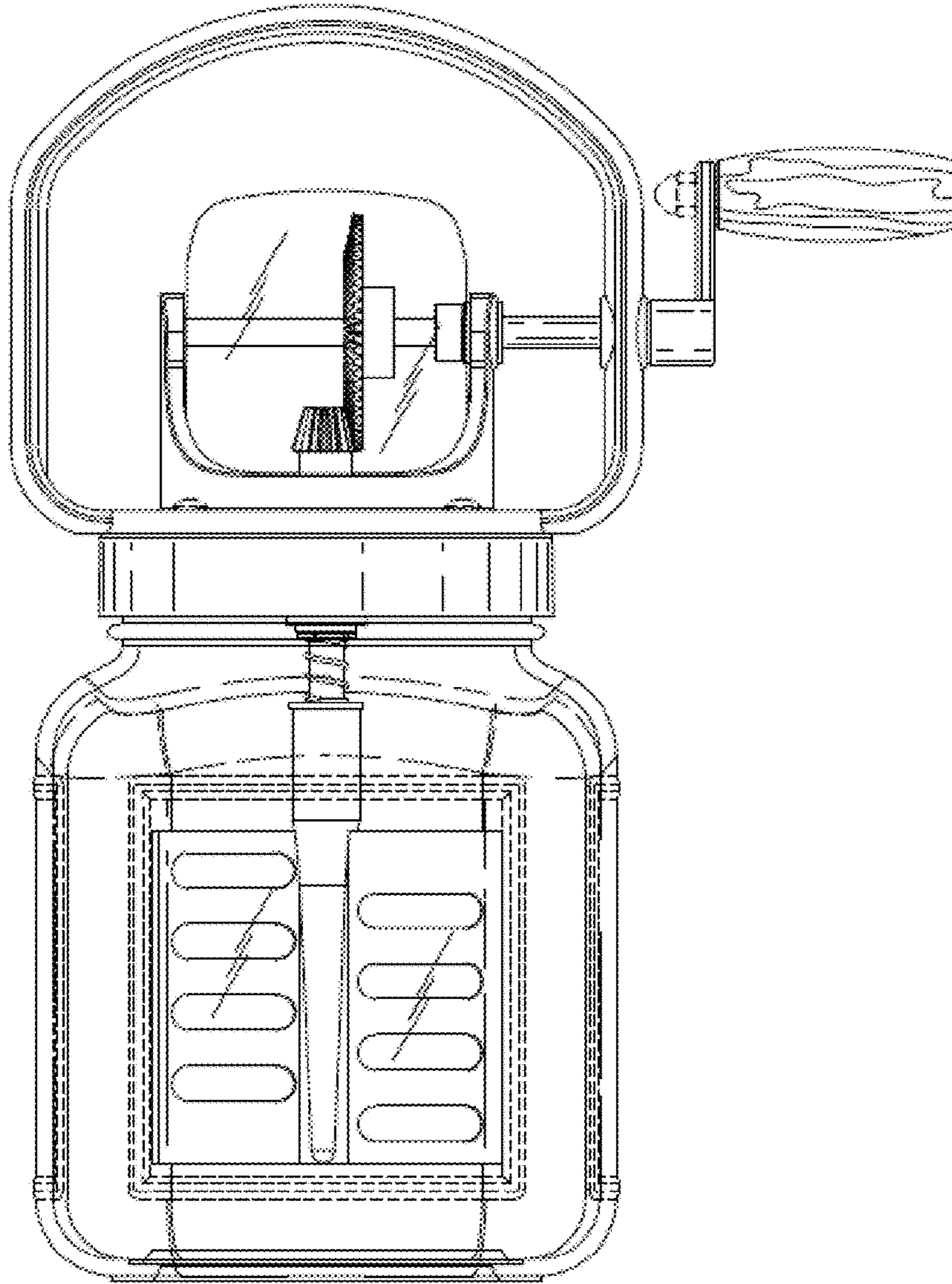


FIG. 11

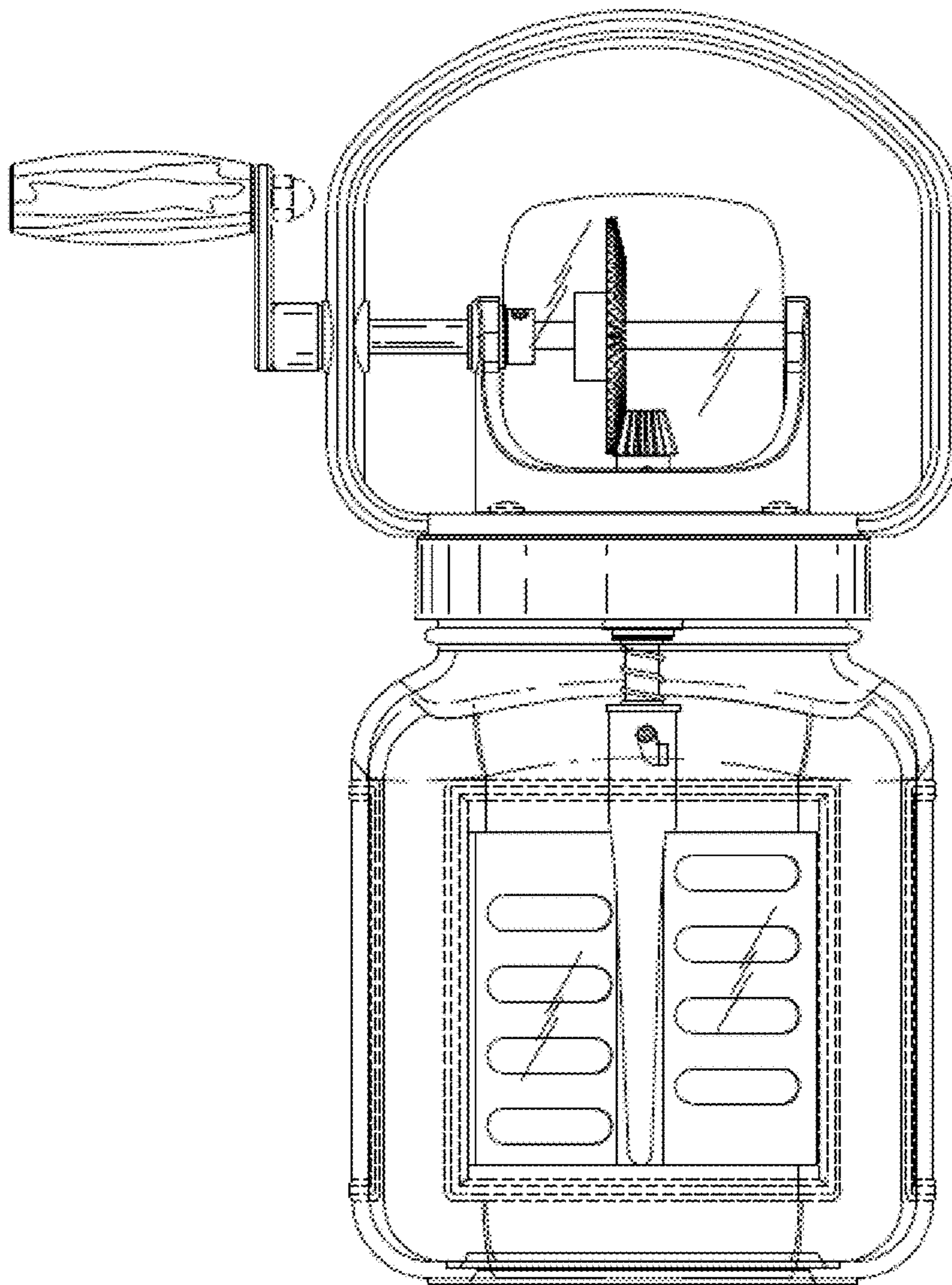


FIG. 12

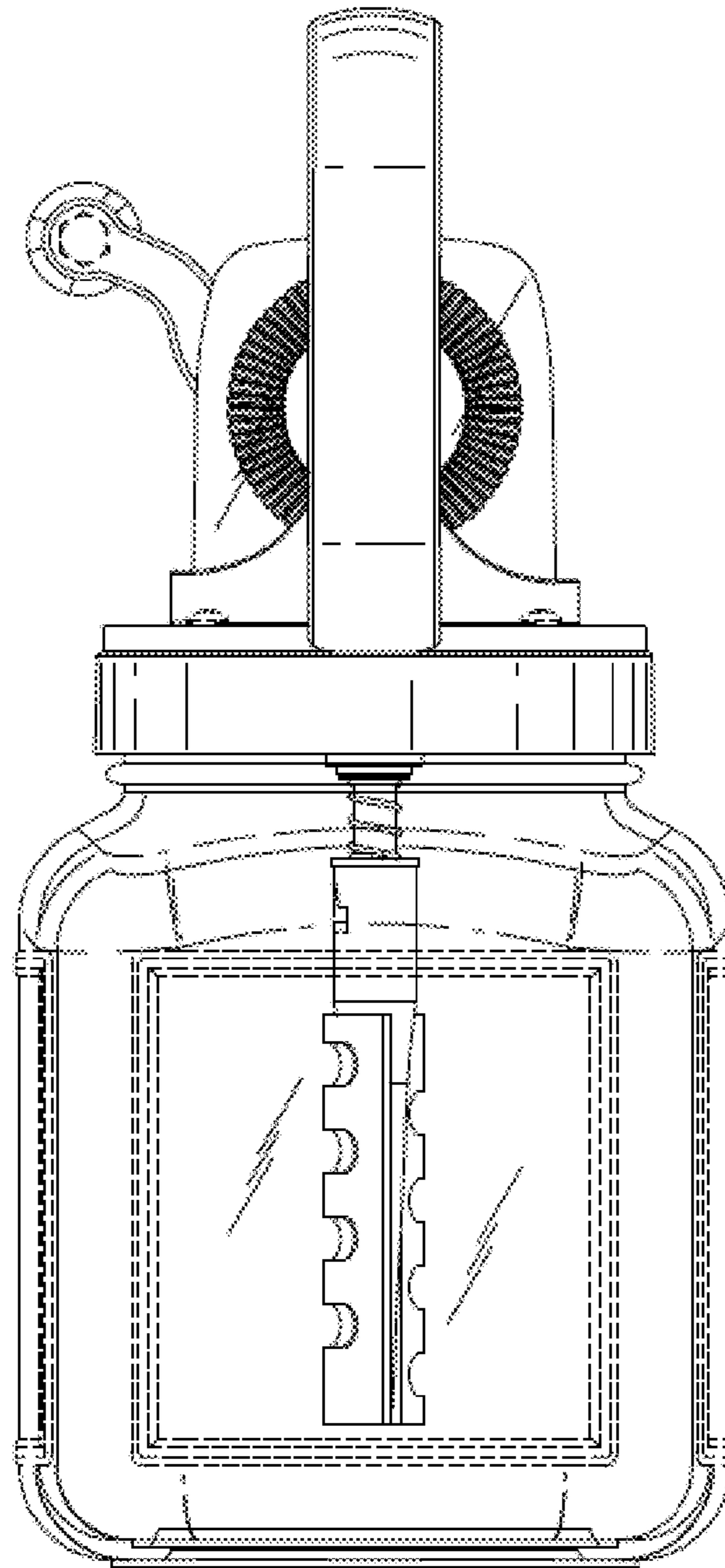


FIG. 13

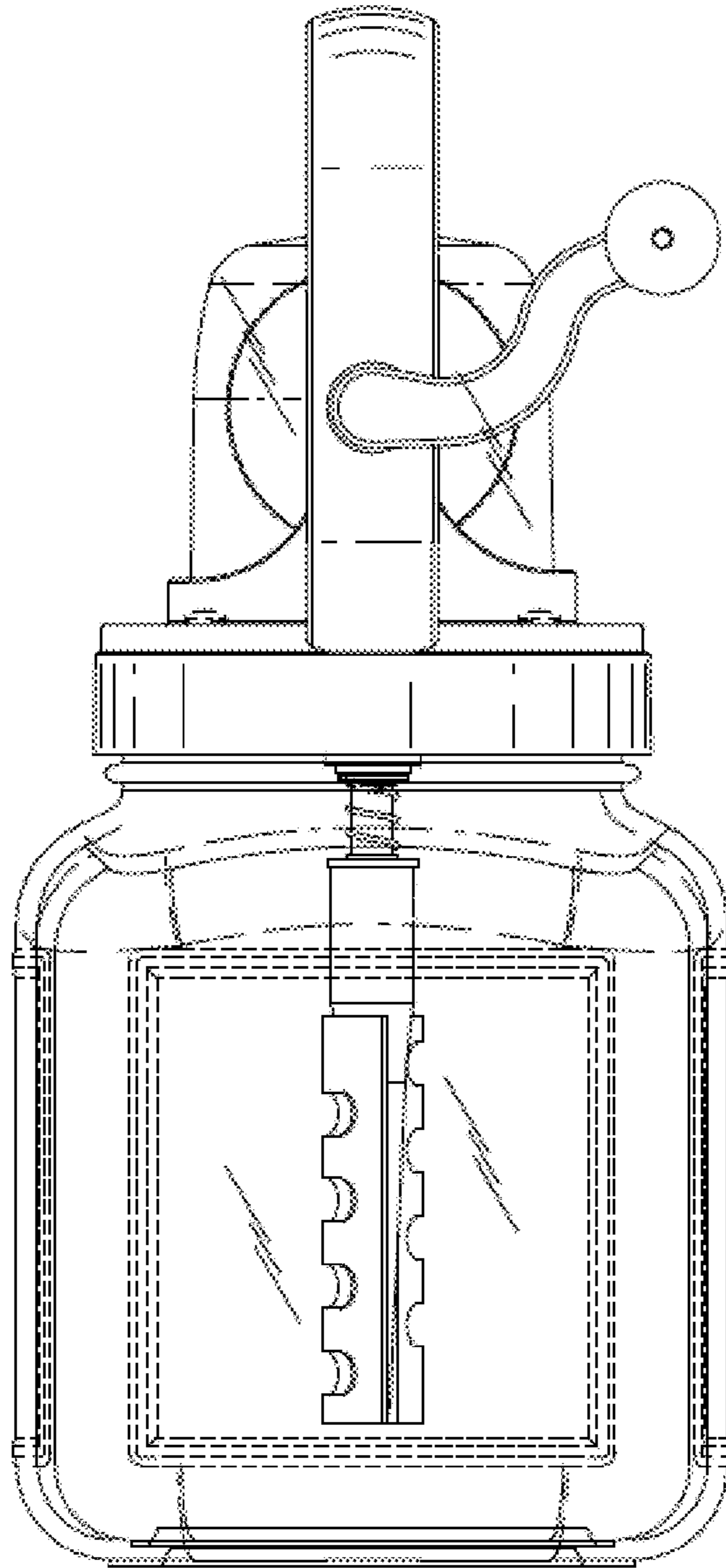


FIG. 14



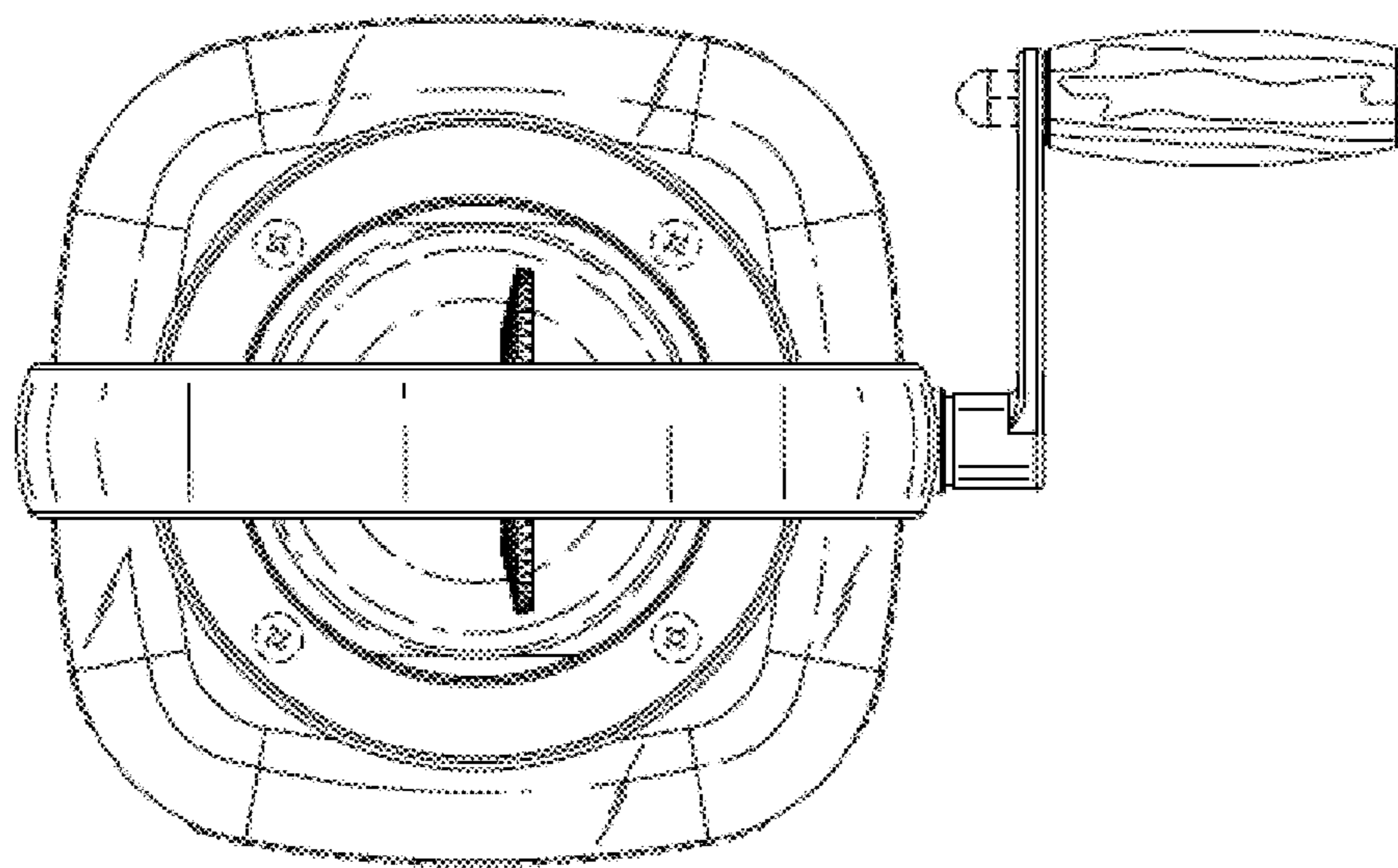


FIG. 15

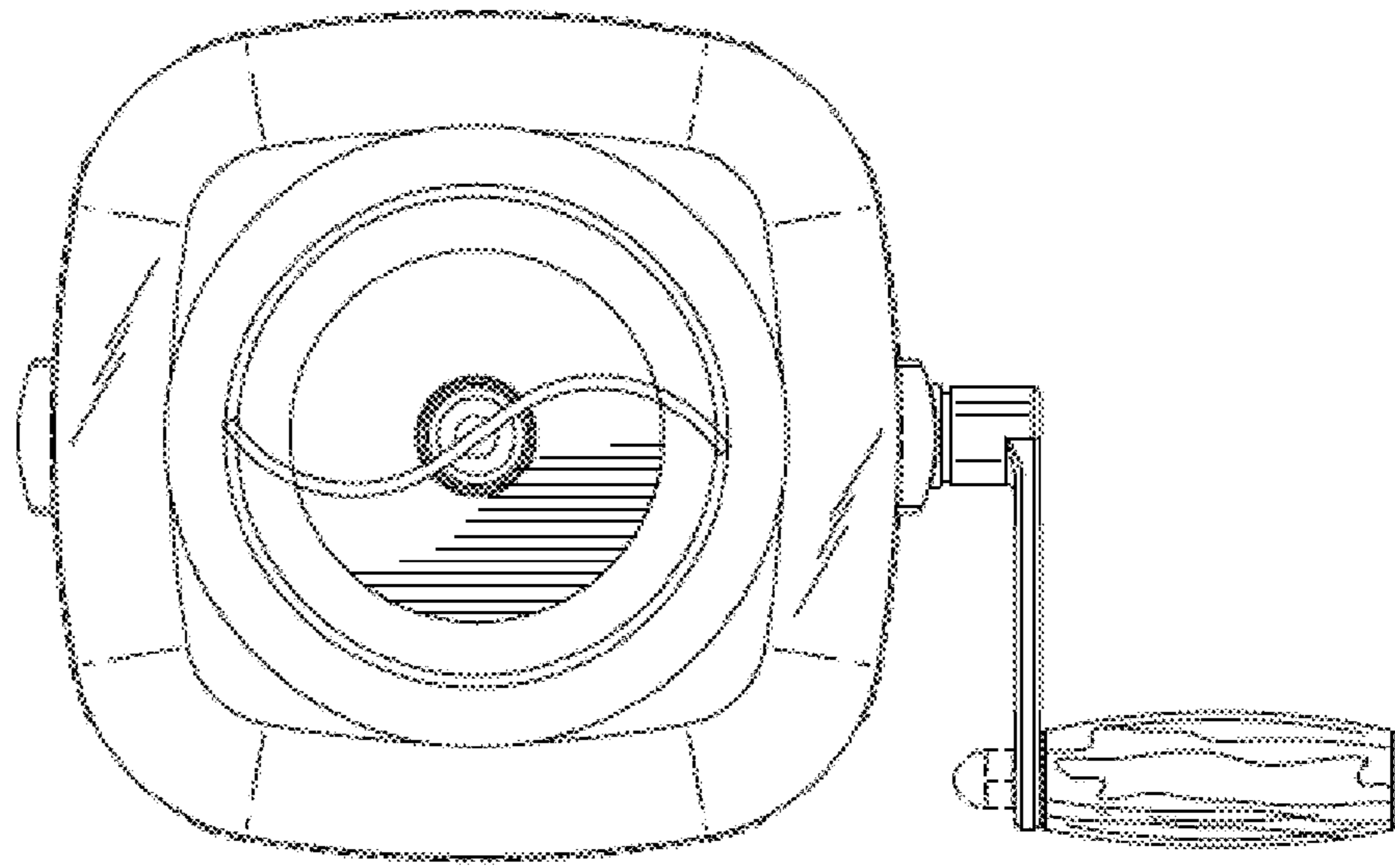


FIG. 16