



US00D780505S

(12) **United States Design Patent**
Gamble et al.

(10) **Patent No.:** **US D780,505 S**
(45) **Date of Patent:** **** Mar. 7, 2017**

(54) **FOOD WASTE DISPOSER**

FOREIGN PATENT DOCUMENTS

(71) Applicant: **Emerson Electric Co.**, St. Louis, MO (US)

CN 00336359.7 5/2001
CN 3255269 9/2002

(Continued)

(72) Inventors: **Kelly T. Gamble**, Waterford, WI (US);
Deborah R. Groshek, Kenosha, WI (US);
Eric J. Schultz, Thiensville, WI (US);
Randall E. Hammer, Muskego, WI (US);
Grey B. Parker, West Bloomfield, MI (US);
Josiah J. Lacolla, Farmington Hills, MI (US)

OTHER PUBLICATIONS

Photos of insinkerator Badger—444, on sale in the United States earlier than Dec. 1, 2010.

(Continued)

(73) Assignee: **Emerson Electric Co.**, St. Louis, MO (US)

Primary Examiner — Ricky Pham

(74) *Attorney, Agent, or Firm* — Harness, Dickey & Pierce, P.L.C.

(**) Term: **15 Years**

(57) **CLAIM**

(21) Appl. No.: **29/556,615**

The ornamental design for a food waste disposer, as shown and described.

(22) Filed: **Mar. 2, 2016**

DESCRIPTION

Related U.S. Application Data

(62) Division of application No. 29/514,363, filed on Jan. 12, 2015, now Pat. No. Des. 759,423.

(51) **LOC (10) Cl.** **31-00**

(52) **U.S. Cl.**
USPC **D7/375**

(58) **Field of Classification Search**
USPC D7/306, 313, 372, 375–376, 381–385,
D7/608; D34/39

(Continued)

FIG. 1 is a perspective view of a food waste disposer embodying our new design;

FIG. 2 is a front elevational view of the food waste disposer of FIG. 1;

FIG. 3 is a rear elevational view of the food waste disposer of FIG. 1;

FIG. 4 is a top plan view of the food waste disposer of FIG. 1;

FIG. 5 is a bottom plan view of the food waste disposer of FIG. 1;

FIG. 6 is a left elevational view of the food waste disposer of FIG. 1; and,

FIG. 7 is a right elevational view of the food waste disposer of FIG. 1.

In FIGS. 1-7, the broken lines in all views are for the purpose of illustration and are not part of the claimed design.

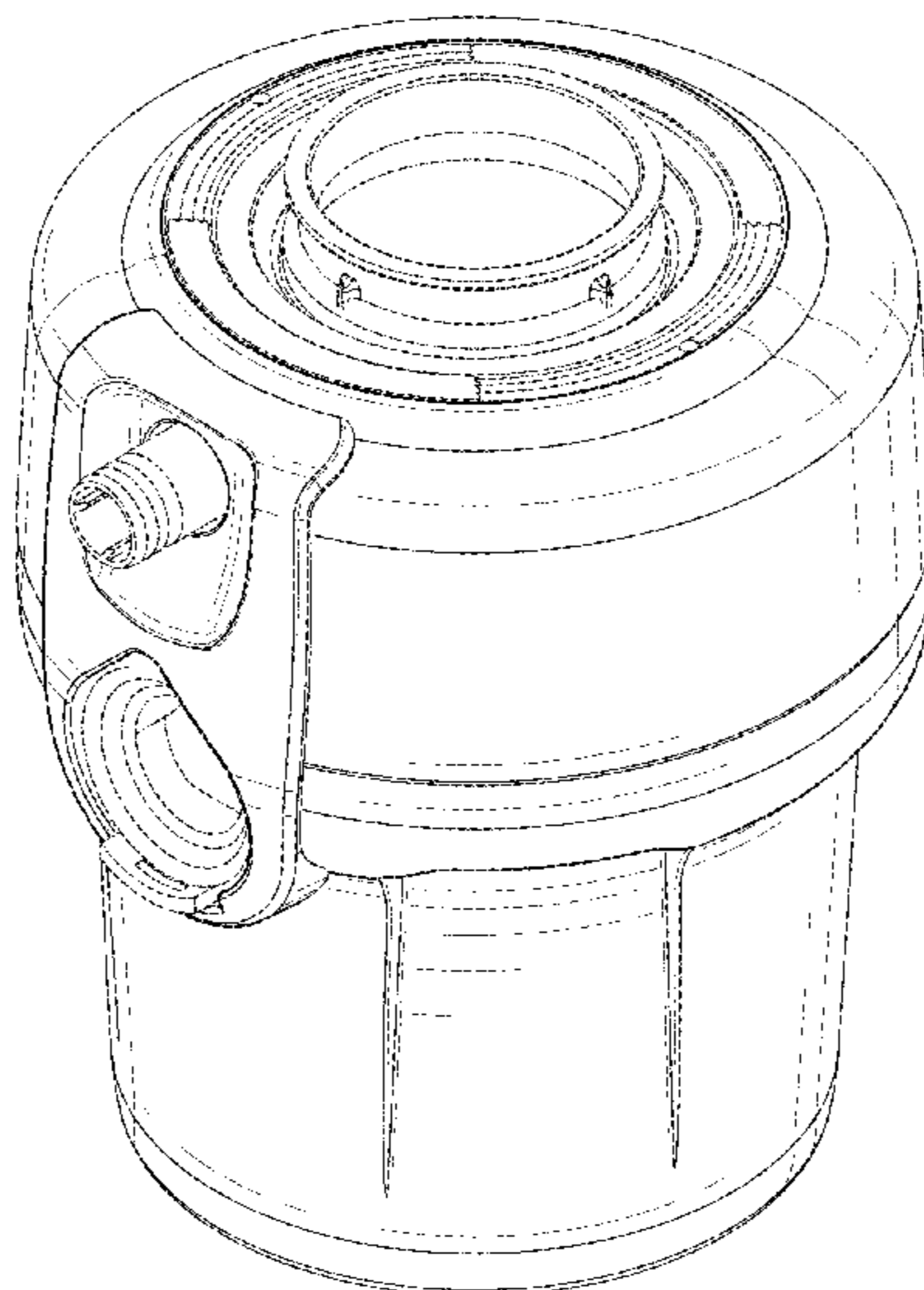
(56) **References Cited**

U.S. PATENT DOCUMENTS

D109,972 S 6/1938 Anderson et al.
D169,626 S 5/1953 Koslo of al.

(Continued)

1 Claim, 5 Drawing Sheets



(58) **Field of Classification Search**
 CPC A61L 11/00; B02C 13/00; B02C 13/02;
 B02C 13/04; B02C 13/06; B02C 13/2804;
 B02C 18/00; B02C 18/0076; B02C
 18/0084; B02C 18/0092; B02C
 2013/2808; B02C 2013/2812; E03C 1/26;
 E03C 1/2665; E03C 1/28; E03C 1/30;
 E03C 1/302; E03C 1/304
 See application file for complete search history.

(56) **References Cited**

U.S. PATENT DOCUMENTS

D170,874	S	11/1953	Lambert et al.
2,750,121	A	6/1956	Schmidt of al.
D178,854	S	9/1956	Waltman et al.
2,965,318	A	12/1960	Jordan
2,978,190	A	4/1961	Brucken et al.
3,025,007	A	3/1962	Wieczorek
3,026,050	A	3/1962	Bebinger
3,038,172	A	6/1962	Fritz et al.
D194,128	S	11/1962	Hawkins of al.
3,144,213	A	8/1964	Hedlund
3,159,354	A	12/1964	Yartz et al.
3,163,369	A	12/1964	Hogue
3,165,271	A	1/1965	Enright
3,194,505	A	7/1965	Spackman
3,213,720	A	10/1965	Wallis et al.
3,236,462	A	2/1966	Stout
3,246,132	A	4/1966	Jordan
D205,750	S	9/1966	Cornelius
D207,918	S	6/1967	Clark et al.
3,335,969	A	8/1967	Egle et al.
D212,127	S	8/1968	Smith et al.
3,443,764	A	5/1969	Wetzel
3,534,913	A	10/1970	Lawrenson
D226,028	S	1/1973	Kennedy et al.
3,739,992	A	6/1973	Bebinger
3,814,333	A	6/1974	Sapienza
3,862,720	A	1/1975	Guth
3,875,462	A	4/1975	Kiefer et al.
D237,299	S	10/1975	Pitts et al.
D237,300	S	10/1975	Pitts
D237,301	S	10/1975	Pitts
D237,302	S	10/1975	Pitts
D237,303	S	10/1975	Pitts
D237,304	S	10/1975	Pitts
D237,305	S	10/1975	Pitts
D237,306	S	10/1975	Pitts
4,128,210	A	12/1978	Brenner et al.
4,134,555	A	1/1979	Rosselet
4,717,031	A	1/1988	Hewson
D344,657	S	3/1994	Knopp
5,340,036	A	8/1994	Riley
D374,959	S	10/1996	Mull
5,577,673	A	11/1996	McMurphy et al.
5,795,062	A	8/1998	Johnson
5,856,173	A	1/1999	Riley et al.
6,007,006	A	12/1999	Engel et al.
D419,362	S	1/2000	Bouhuys
D426,421	S	6/2000	Hirsch et al.
D430,987	S	9/2000	Brandel et al.
D431,153	S	9/2000	Brandel et al.
D431,751	S	10/2000	Cahen
D431,752	S	10/2000	Brandel et al.
D436,496	S	1/2001	Anderson et al.
D443,792	S	6/2001	Peters et al.
D451,755	S	12/2001	Brandel et al.
D452,110	S	12/2001	Brandel et al.
D454,467	S	3/2002	Magermans et al.
D455,603	S	4/2002	Brandel et al.
D455,604	S	4/2002	Brandel et al.
6,439,487	B1	8/2002	Anderson et al.
6,481,652	B2	11/2002	Strutz et al.
D474,365	S	5/2003	Valentino
D486,797	S	2/2004	Anderson et al.

6,783,034	B1	8/2004	Brent
7,048,213	B2	5/2006	Strutz et al.
D526,827	S *	8/2006	Allen D7/306
7,100,850	B2	9/2006	Farmerie
D534,760	S	1/2007	Patterson et al.
D534,761	S	1/2007	Patterson et al.
D535,142	S	1/2007	Patterson et al.
D535,518	S	1/2007	Patterson et al.
D535,850	S	1/2007	Patterson et al.
D536,211	S	2/2007	Jara-Almonte et al.
D537,673	S	3/2007	Anderson et al.
D539,078	S	3/2007	Anderson et al.
D542,594	S	5/2007	Jara-Almonte et al.
D542,595	S	5/2007	Jara-Almonte et al.
D551,895	S *	10/2007	Allen D34/39
D558,950	S *	1/2008	Brans D34/39
D560,873	S *	1/2008	Brans D34/39
7,331,539	B2	2/2008	Jara-Almonte et al.
D574,574	S *	8/2008	Bax D34/39
D588,862	S	3/2009	Saeed et al.
D593,354	S	6/2009	Romandy
7,578,460	B2	8/2009	Berger
D602,301	S *	10/2009	Romandy 313/309
7,654,480	B2	2/2010	Baer et al.
7,918,411	B2	4/2011	Anderson et al.
7,963,469	B2	6/2011	Hanson
7,971,810	B2	7/2011	Hirsch et al.
D653,086	S *	1/2012	Morales D7/608
D654,302	S	2/2012	Shepherd
8,146,843	B2	4/2012	Ye et al.
8,220,731	B2	7/2012	Berger et al.
D684,003	S	6/2013	Bennage et al.
D684,004	S	6/2013	Koparde et al.
D684,005	S	6/2013	Mahale et al.
D706,572	S	6/2014	Gamble et al.
D716,102	S	10/2014	Morales
D725,864	S	3/2015	Sonzogni
D730,673	S *	6/2015	Harris D7/306
D731,225	S *	6/2015	Peterson D7/306
9,175,461	B2	11/2015	Bewley, Jr.
D746,100	S *	12/2015	Falcone D7/375
D753,432	S *	4/2016	Gamble D7/375
D753,433	S *	4/2016	Gamble D7/375
D759,423	S *	6/2016	Gamble D7/375
2002/0104909	A1	8/2002	Strutz
2002/0170990	A1	11/2002	Anderson et al.
2004/0256506	A1	12/2004	Berger

FOREIGN PATENT DOCUMENTS

CN	3306017	7/2003
CN	3358455	3/2004
CN	3466796	8/2005
CN	301123447	1/2010
CN	301456820	2/2011
CN	301456821	2/2011
CN	301464004	2/2011

OTHER PUBLICATIONS

Photos of insinkerator Badger—555, on sale in the United States earlier than Dec. 1, 2010.
 Photos of insinkerator Badger—777, on sale in the United States earlier than Dec. 1, 2010.
 Photos of insinkerator Badger 5 Plus, on sale in the United States earlier than Dec. 1, 2010.
 Photos of insinkerator Contractor 333, on sale in the United States earlier than Dec. 1, 2010.
 Photos of Evergrind E303, on sale in the United States earlier than Dec. 1, 2010.
 Photos of Evergrind E404, on sale in the United States earlier than Dec. 1, 2010.
 Insinkerator—“The Practical Idea That Built a Powerful Brand”, Emerson Appliance Solutions—© 2008.
 Photos of insinkerator Foodservice LC-50, on sale in the United States earlier than Dec. 1, 2010.

(56)

References Cited

OTHER PUBLICATIONS

ShinMaywa Corporation DH150SW, Dec. 1, 2003.
White Westinghouse International Series Heavy-Duty Food Waste
Disposer, Dec. 2006.
GFC1000Y Spec Sheet, Jul. 1997.
GFC700Y Spec Sheet, Jul. 1997.
GFC705Y Spec Sheet, Jul. 1997.
GFC300Y Product Brochure, Jun. 2000.
GFC800Y Spec Sheet, Jul. 1997.
GFC290Y Spec Sheet, Jul. 1997.
GFC295Y Product Brochure, Jun. 2000.
GFB1050V Spec Sheet, Mar. 1996.
U.S. Appl. No. 29/514,356, filed Jan. 12, 2015, Kelly T. Gamble, et
al.
U.S. Appl. No. 29/514,361, filed Jan. 12, 2015, Kelly T. Gamble, et
al.
U.S. Appl. No. 29/514,363, filed Jan. 12, 2015, Kelly T. Gamble, et
al.

* cited by examiner

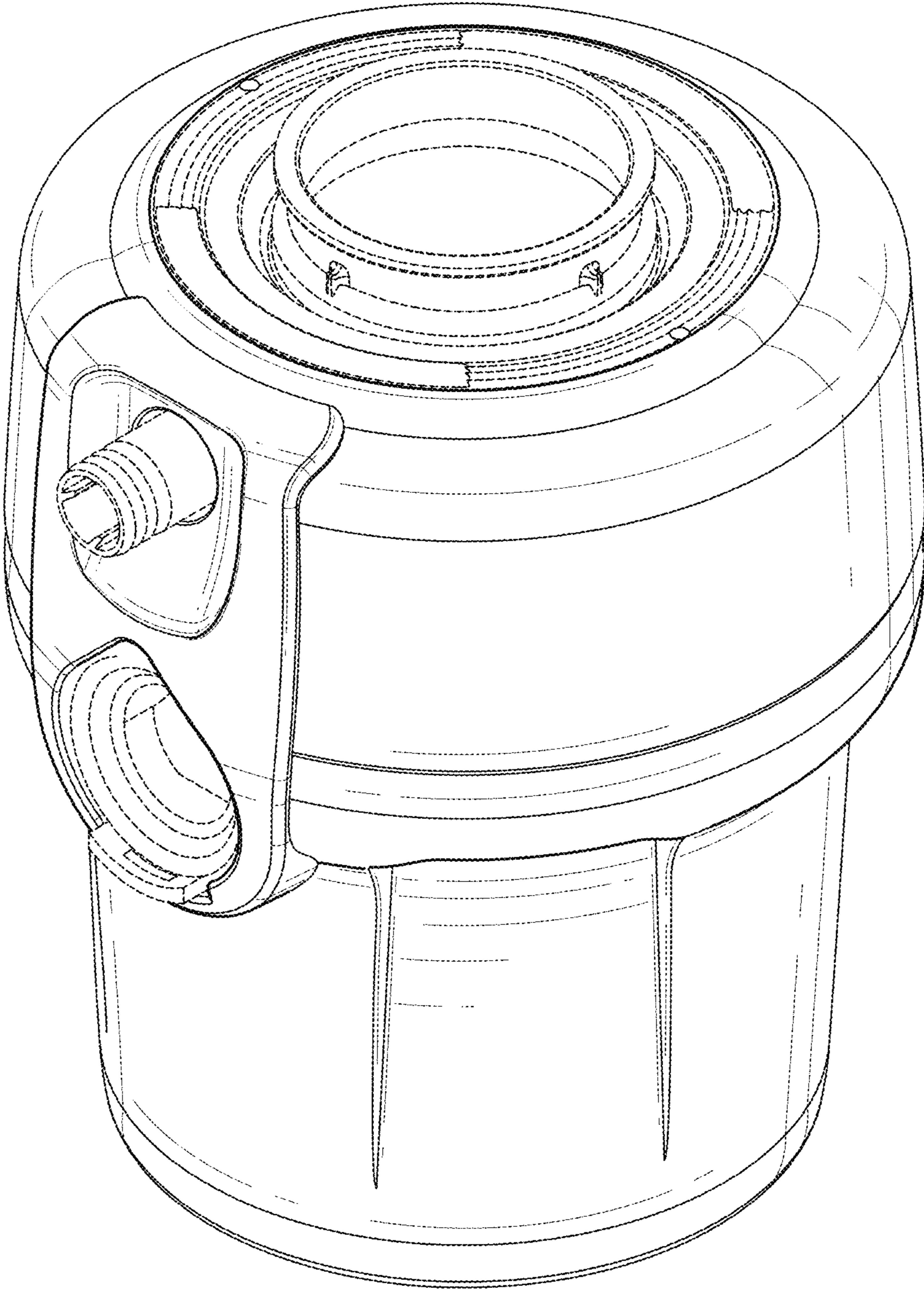


Fig-1

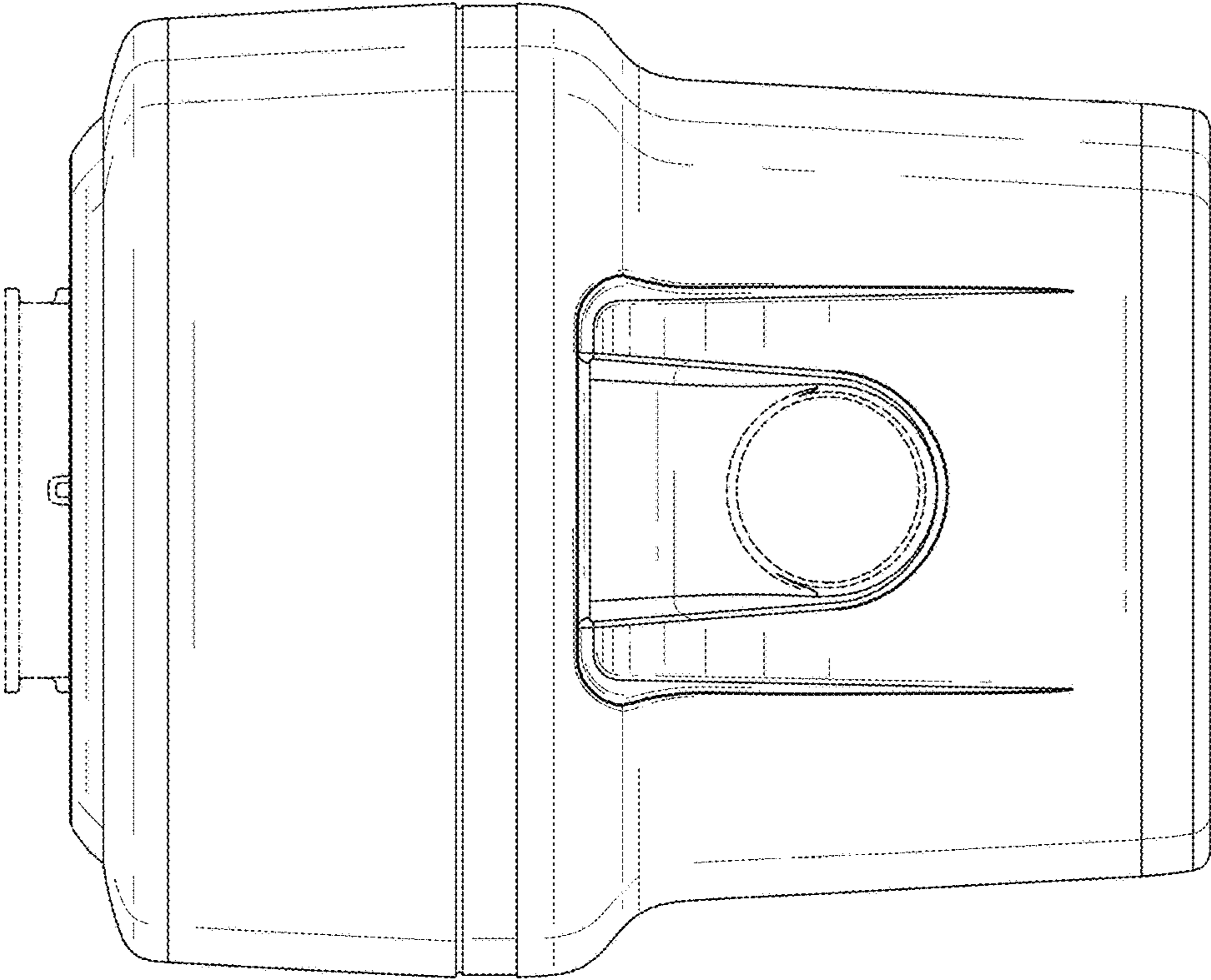


Fig-3

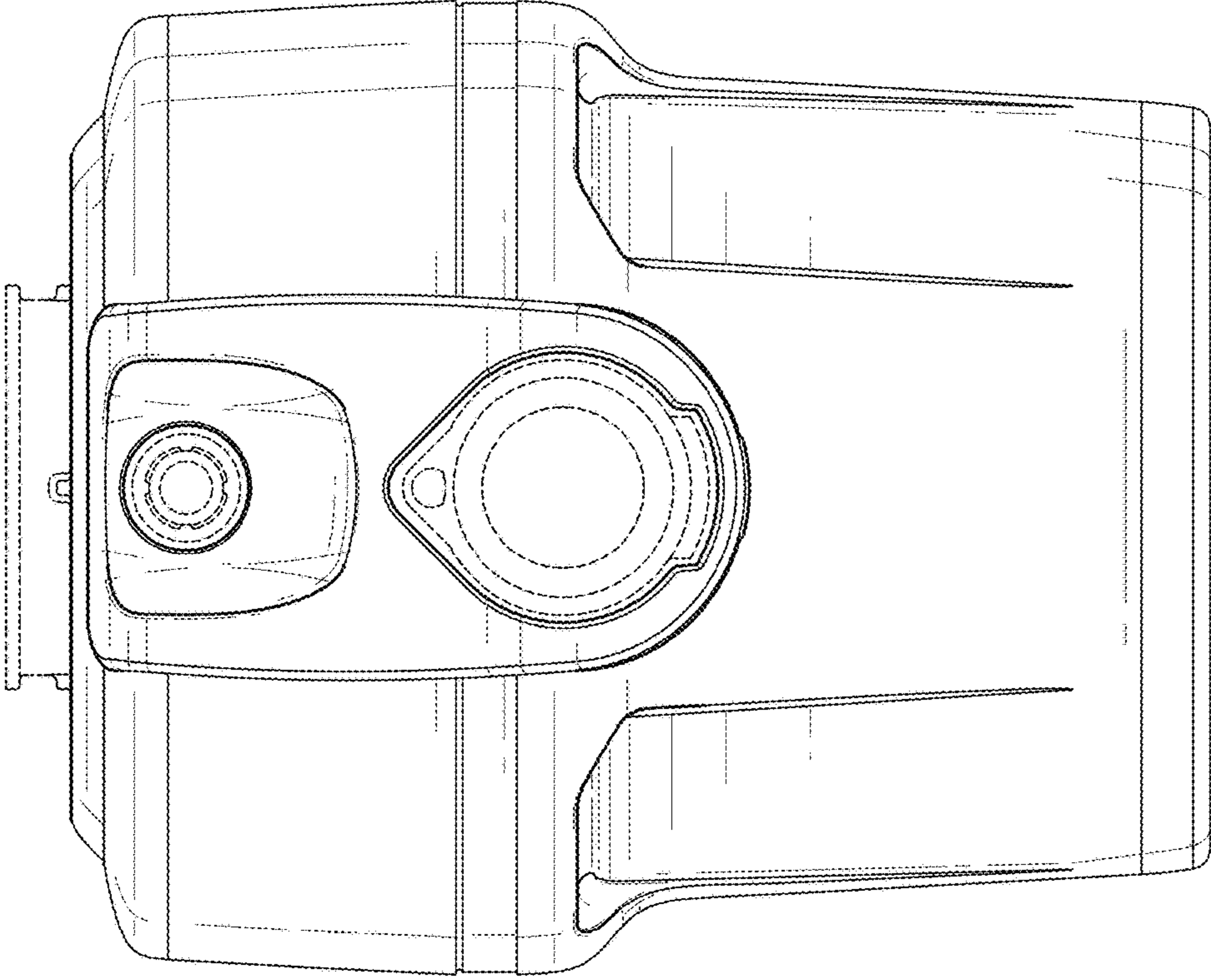


Fig-2

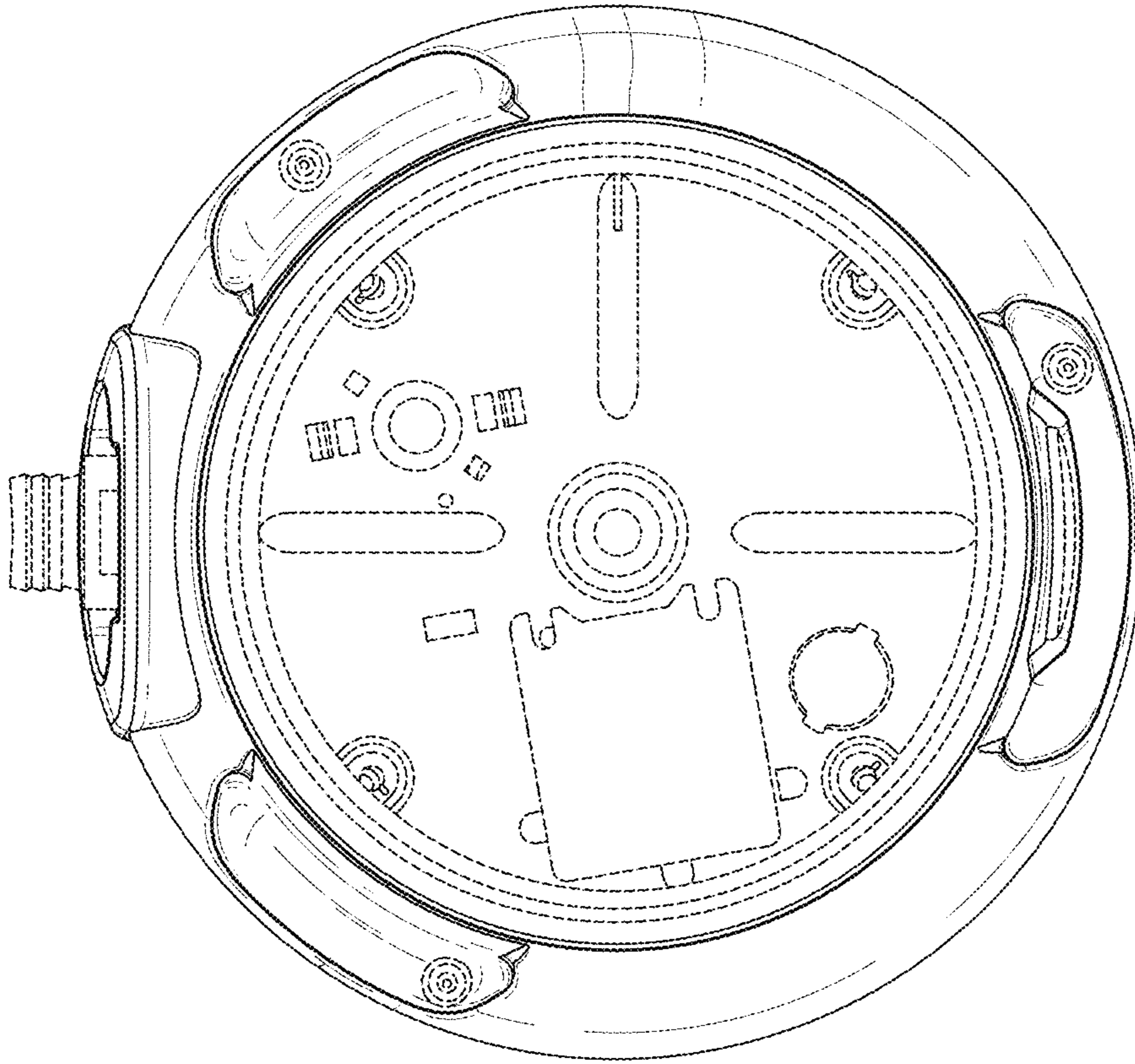


Fig-5

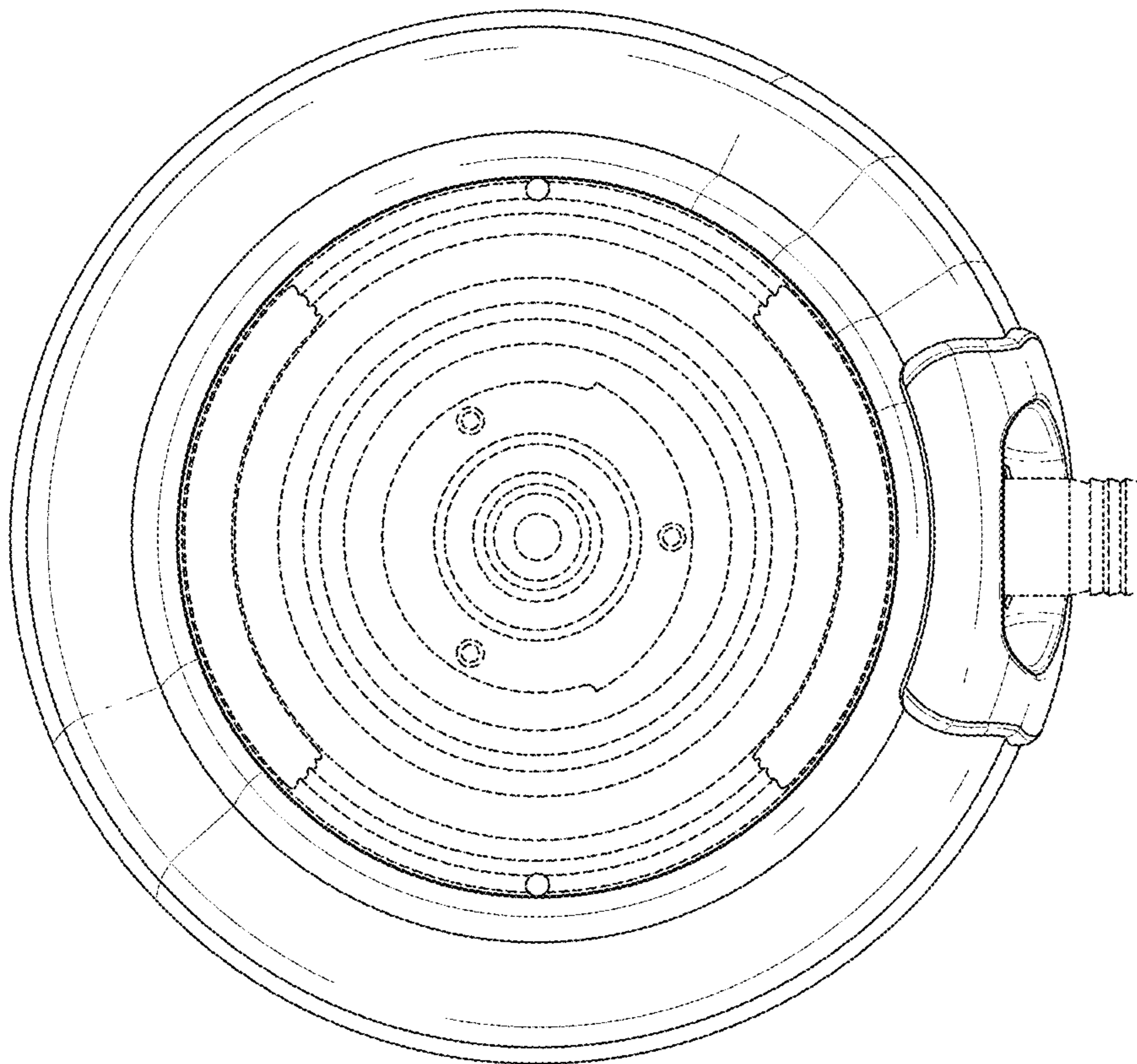


Fig-4

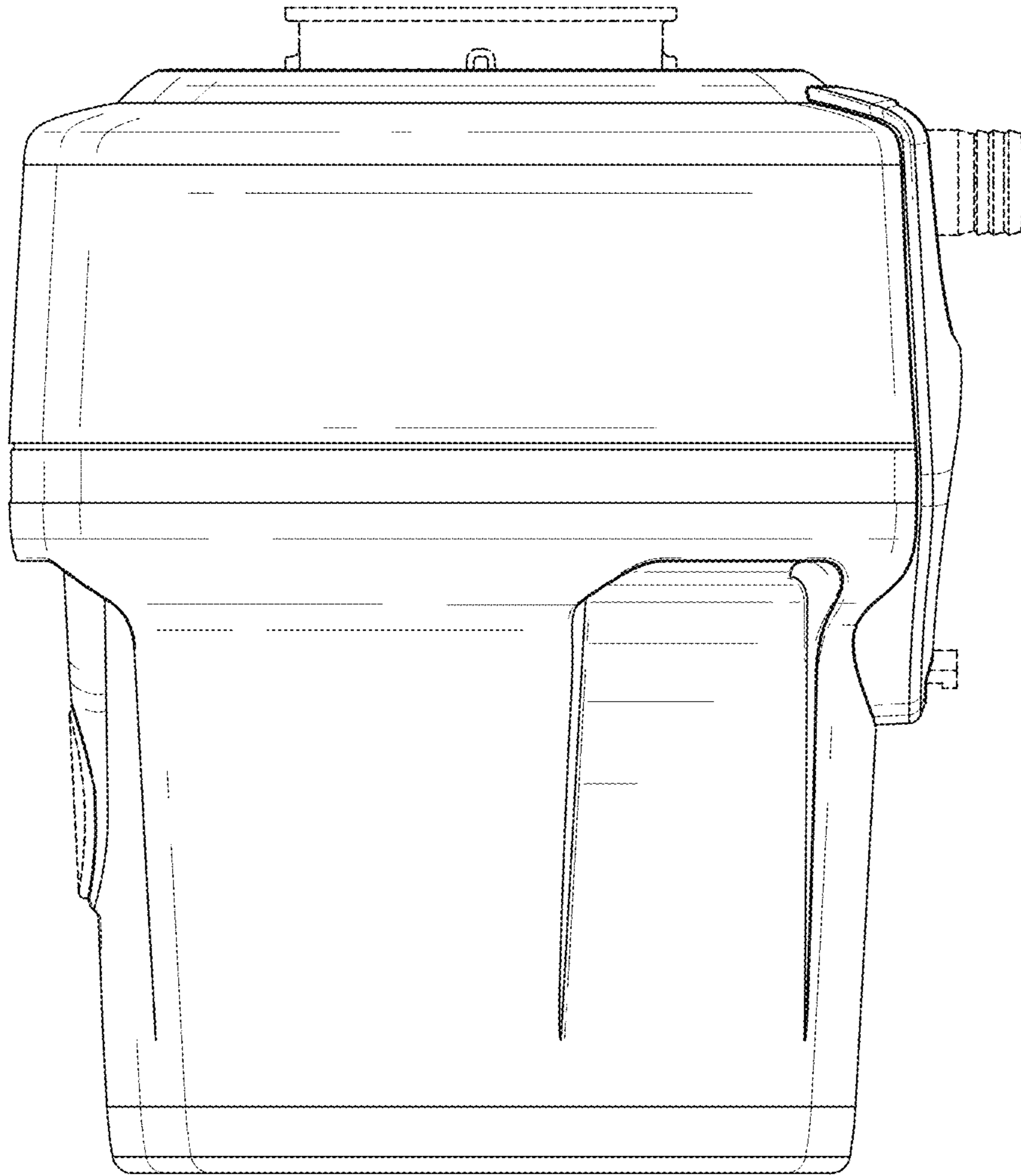


Fig-6

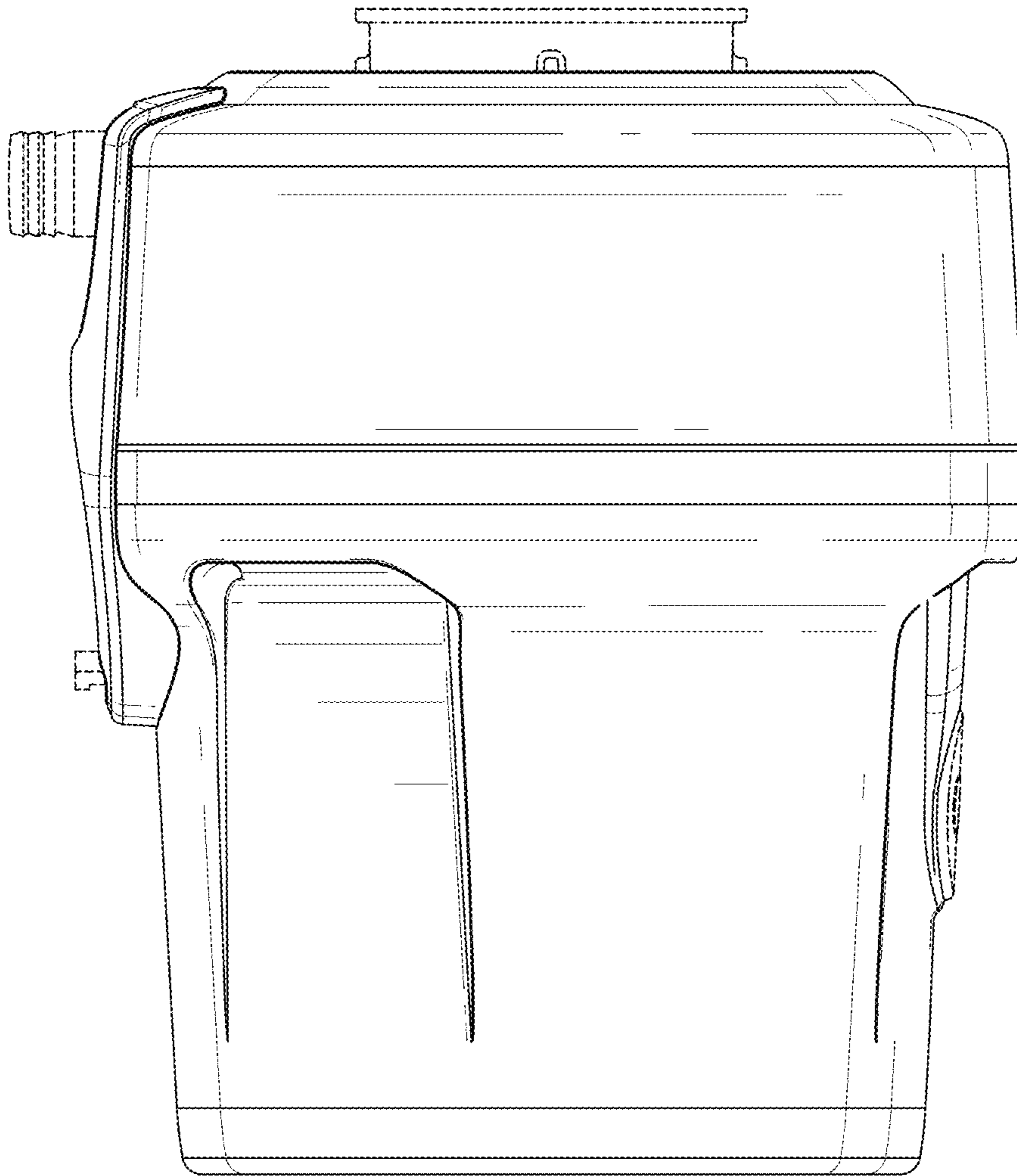


Fig-7