



US00D780504S

(12) **United States Design Patent**
Terao

(10) **Patent No.:** **US D780,504 S**

(45) **Date of Patent:** **** Mar. 7, 2017**

(54) **OVEN TOASTER**

(71) Applicant: **BALMUDA INC.**, Kodaira-shi, Tokyo (JP)

(72) Inventor: **Gen Terao**, Kodaira (JP)

(**) Term: **15 Years**

(21) Appl. No.: **35/500,432**

(22) Filed: **Jun. 30, 2015**

(80) **Hague Agreement Data**
 Int. Filing Date: **Jun. 30, 2015**
 Int. Reg. No.: **DM/087005**
 Int. Reg. Date: **Jun. 30, 2015**
 Int. Reg. Pub. Date: **Jan. 1, 2016**

D237,242 S * 10/1975 Claxton 99/391
 D245,470 S * 8/1977 Ernest D7/350.4
 D287,562 S * 1/1987 Takada D7/328
 4,748,308 A * 5/1988 Drews A47J 37/08
 219/730
 D296,858 S * 7/1988 Ooki D7/350.4
 D336,814 S * 6/1993 Brookshire D7/350.4
 D380,643 S * 7/1997 Piret D7/350.4
 D386,938 S * 12/1997 Piret D7/350.4
 D412,637 S * 8/1999 Piret D7/350.4
 D415,926 S * 11/1999 De'Longhi D7/350.4
 D451,752 S * 12/2001 Davis D7/350.4
 D476,846 S * 7/2003 Piret D7/351
 D533,390 S * 12/2006 Ball D7/350.1
 D569,675 S * 5/2008 Sumser D7/328
 D577,245 S * 9/2008 Sumser D7/328
 D587,959 S * 3/2009 Hensel D7/350.1
 D614,905 S * 5/2010 Fiorotto D7/350.1
 D614,906 S * 5/2010 Fiorotto D7/350.1
 D662,759 S * 7/2012 Blacken D7/328
 D663,156 S * 7/2012 Curtis D7/350.1

(Continued)

(30) **Foreign Application Priority Data**

Jan. 8, 2015 (JP) 2015-000208

(51) **LOC (10) Cl.** **07-02**

(52) **U.S. Cl.**

CPC **A47J 37/0704** (2013.01)

USPC **D7/350.1**

(58) **Field of Classification Search**

USPC D7/332-338, 402-405, 417, 348, 350.1;
126/275 E; D9/433

CPC A47J 37/0704; A47J 37/0763; A47J
37/0745; A47J 37/0713; A47J 37/0768;
A47J 37/079; A47J 36/26; A47J 39/00;
F24B 1/205; F24B 1/02; F24B 15/04;
F24C 3/14; F24C 3/027; F24C 15/08

See application file for complete search history.

(56) **References Cited**

U.S. PATENT DOCUMENTS

D193,259 S * 7/1962 Rawson D7/350.4

D229,818 S * 1/1974 Klemp D7/351

Primary Examiner — Richard E Chilcot

(57) **CLAIM**

The ornamental design for an oven toaster, as shown and described.

DESCRIPTION

1. Oven toaster

1.1 : Perspective

1.2 : Front

1.3 : Back

1.4 : Top

1.5 : Bottom

1.6 : Left

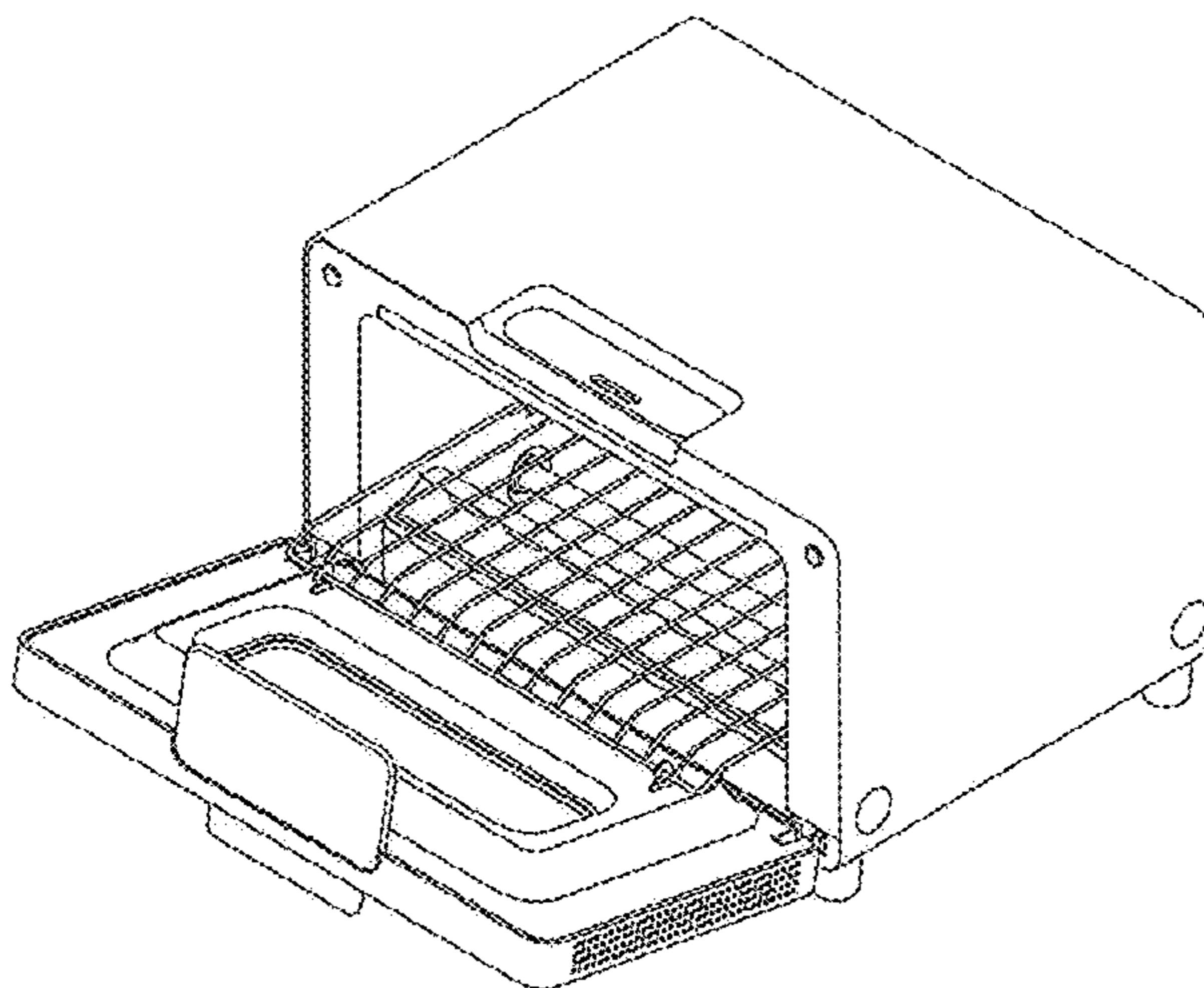
1.7 : Right

1.8 : Perspective view of the front panel opened

1.9 : Reference perspective view showing the transparent part

The part marked in gray in “reference perspective view indicating the transparent part” is transparent.

1 Claim, 9 Drawing Sheets



(56)

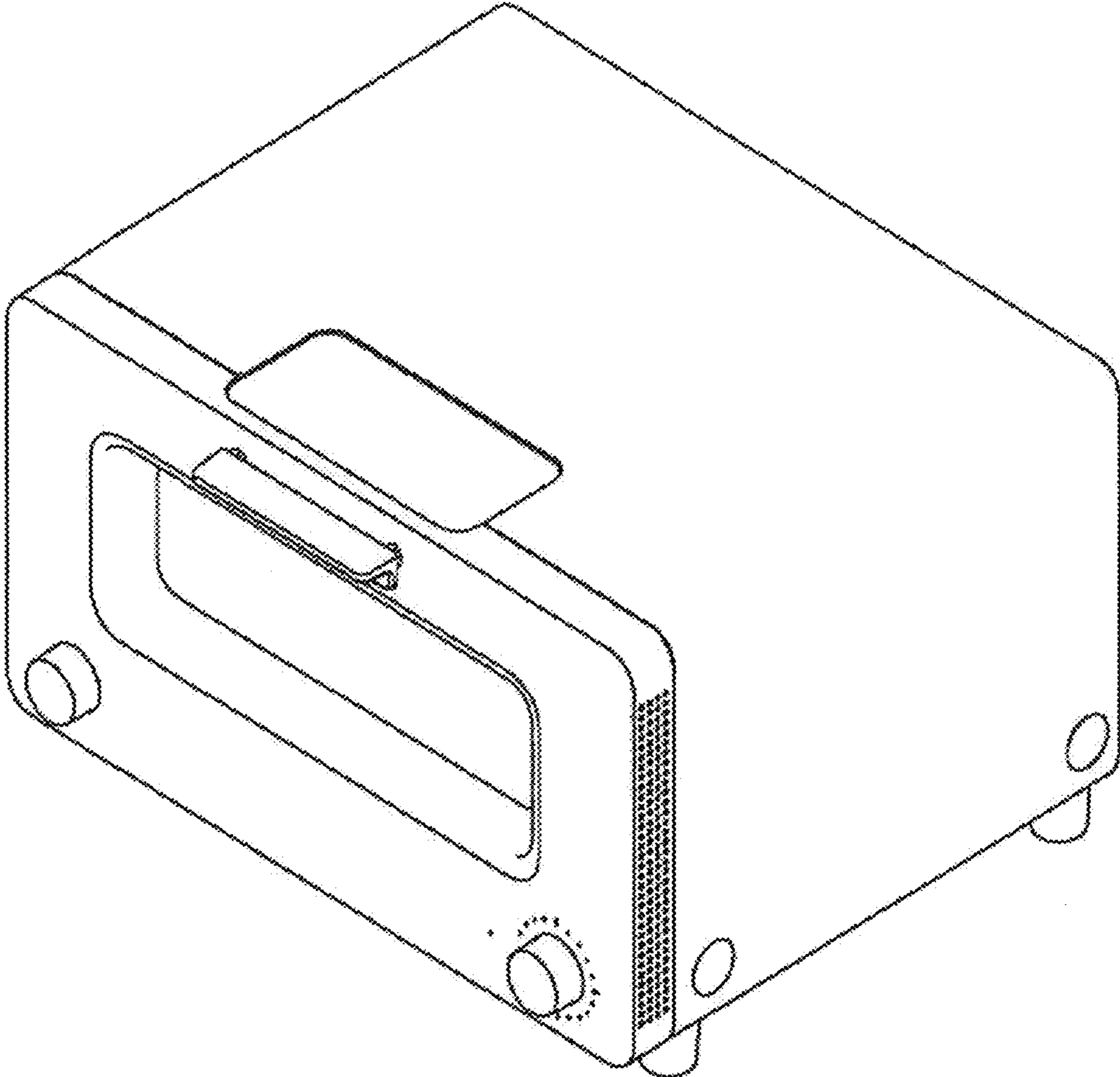
References Cited

U.S. PATENT DOCUMENTS

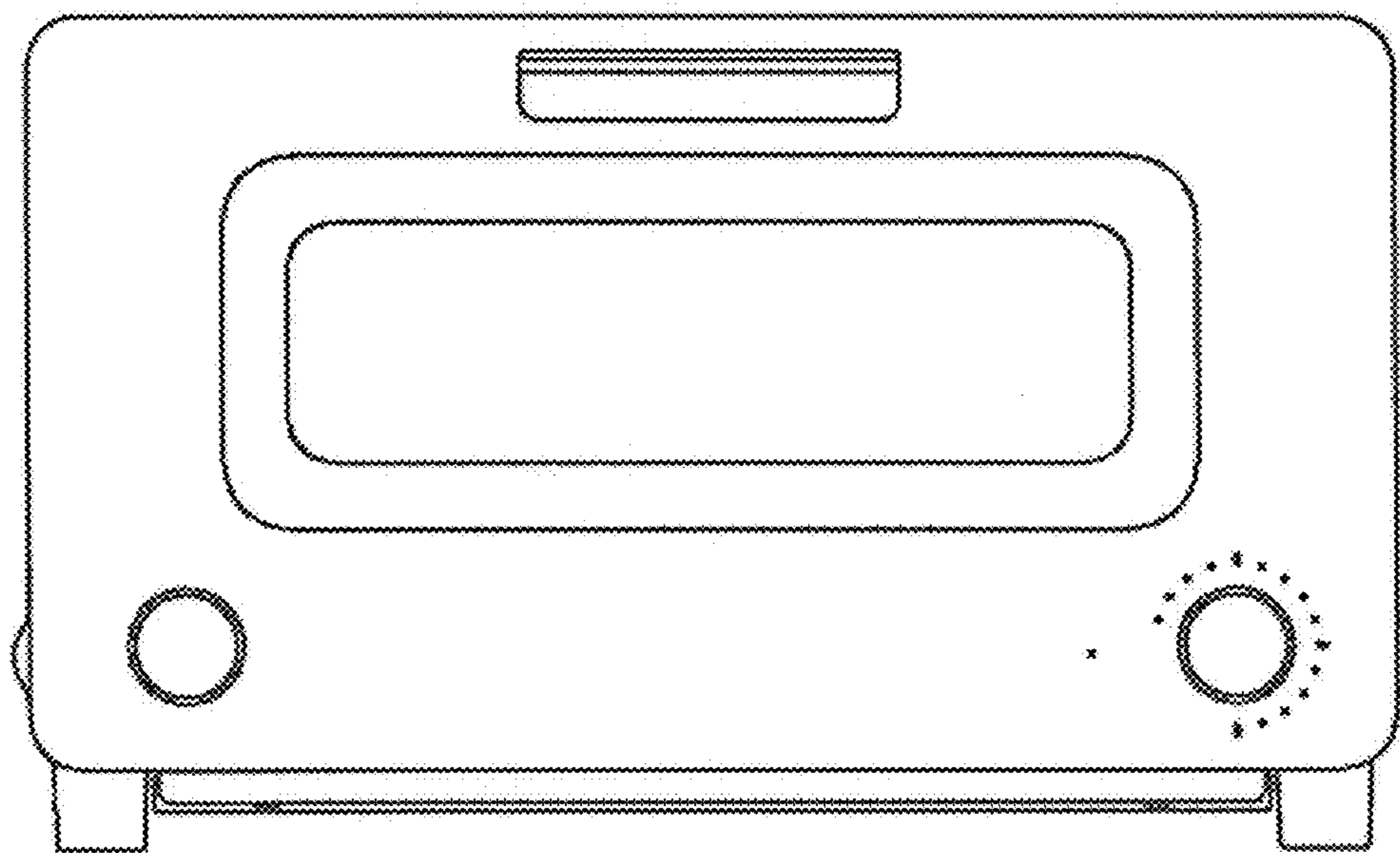
D667,254 S * 9/2012 Lee D7/351

* cited by examiner

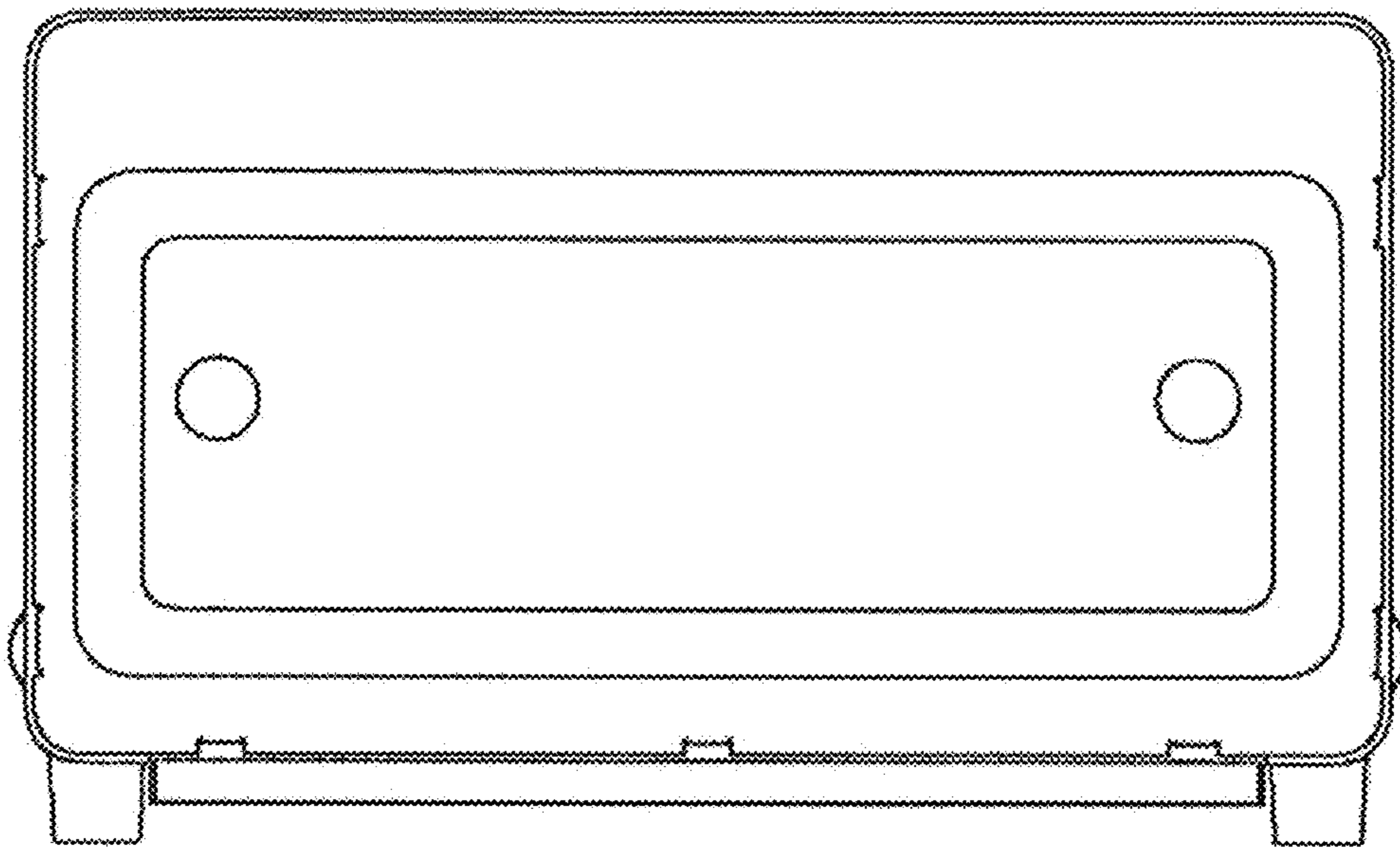
1.1



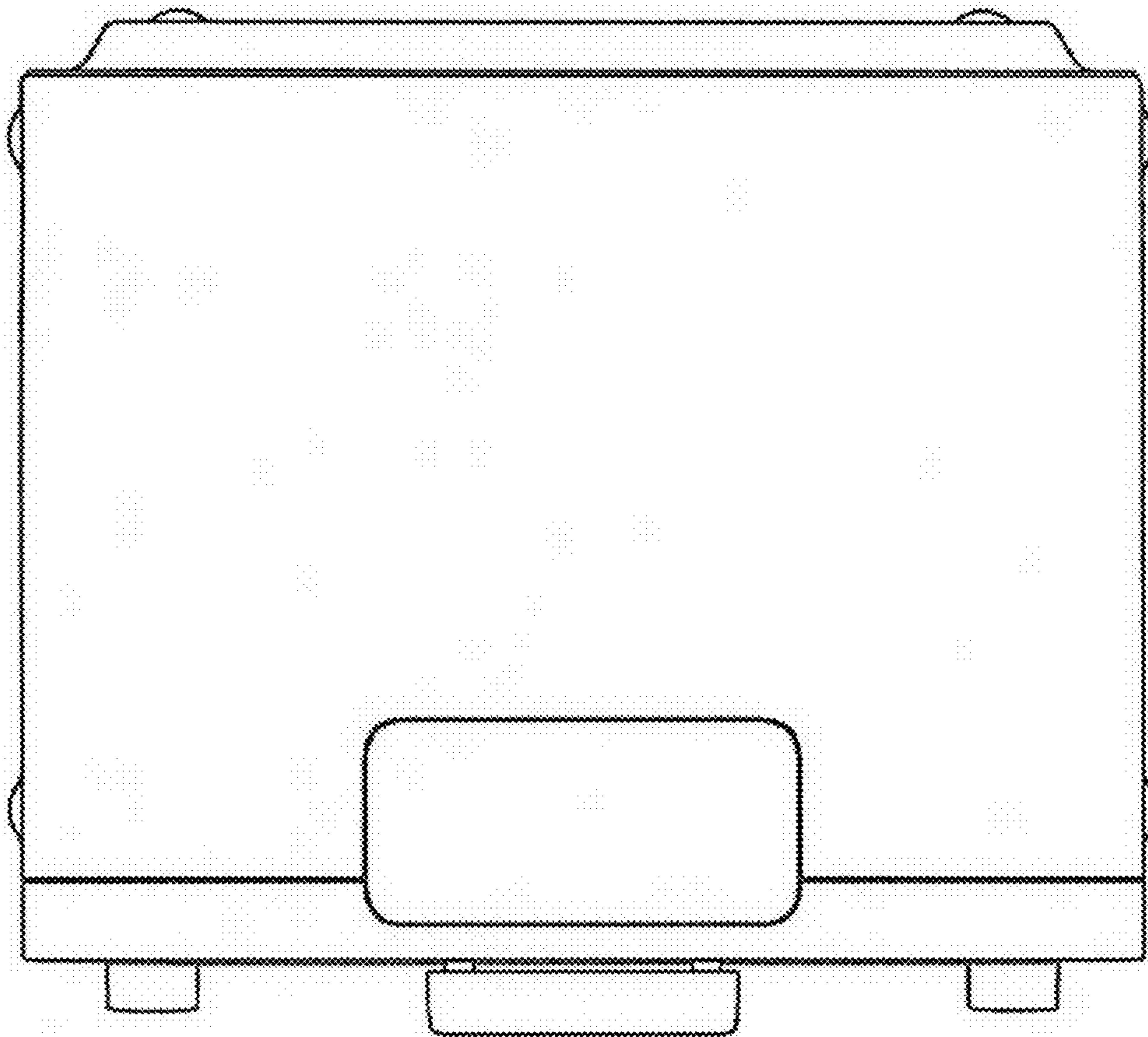
1.2



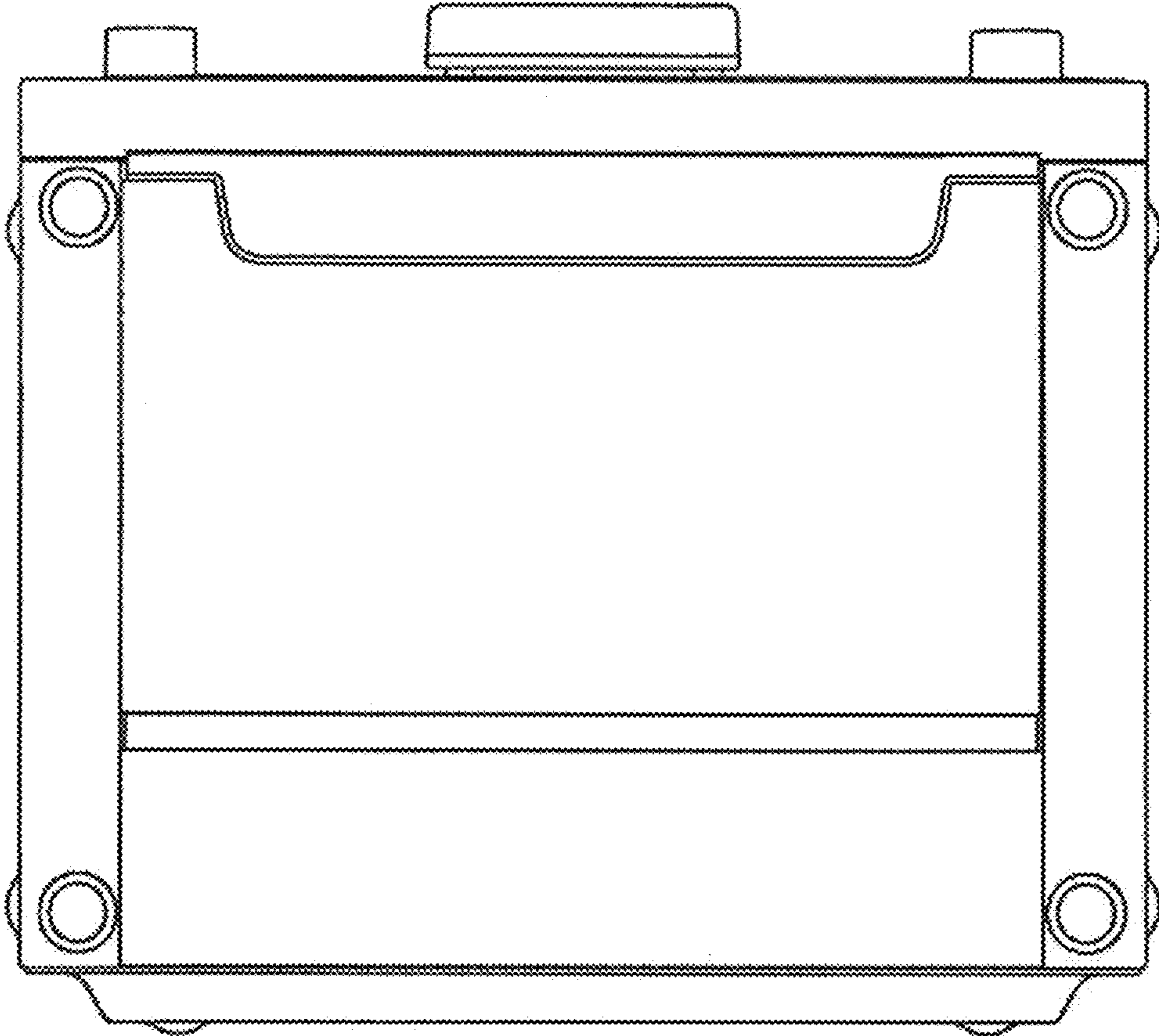
1.3



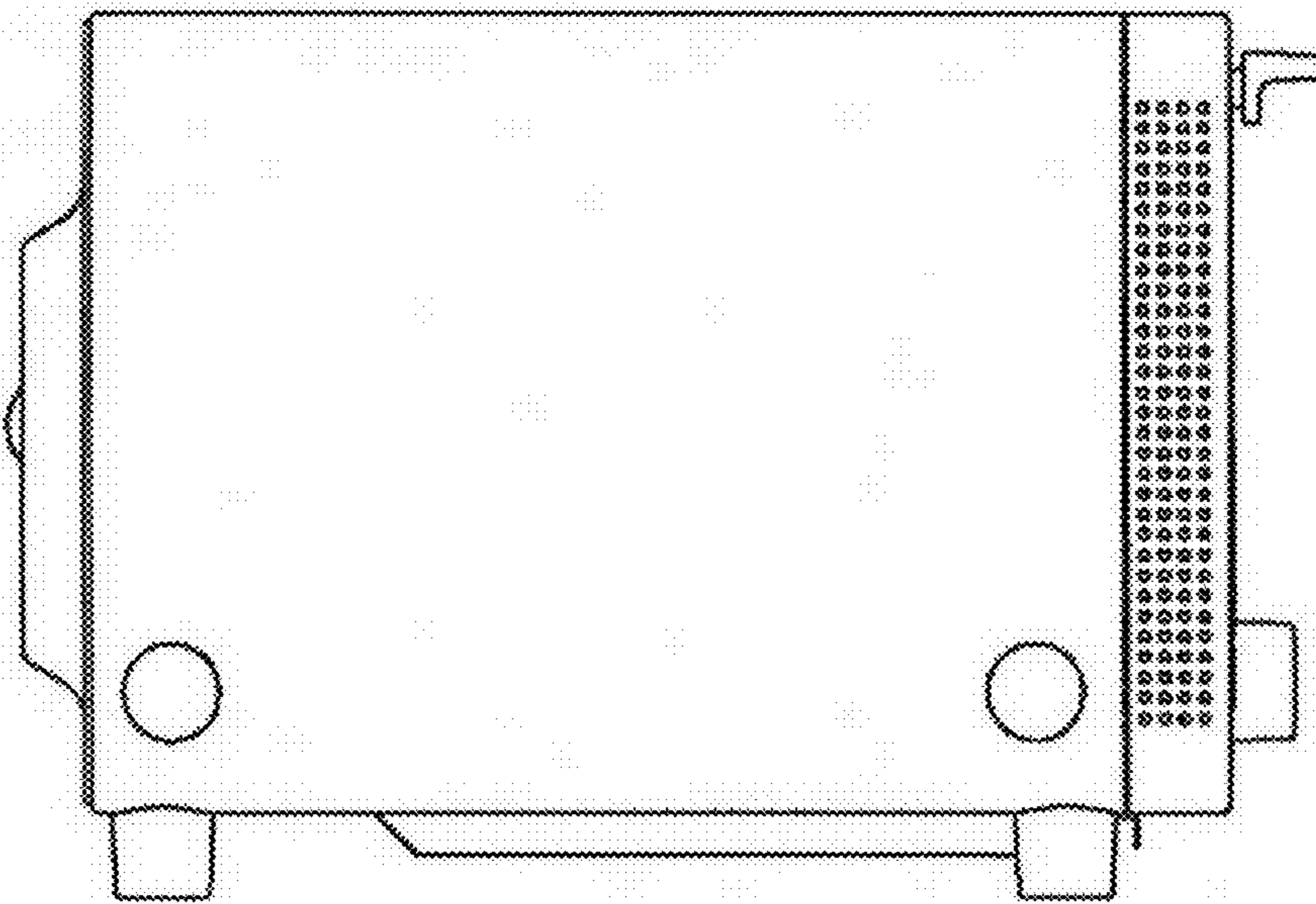
1.4



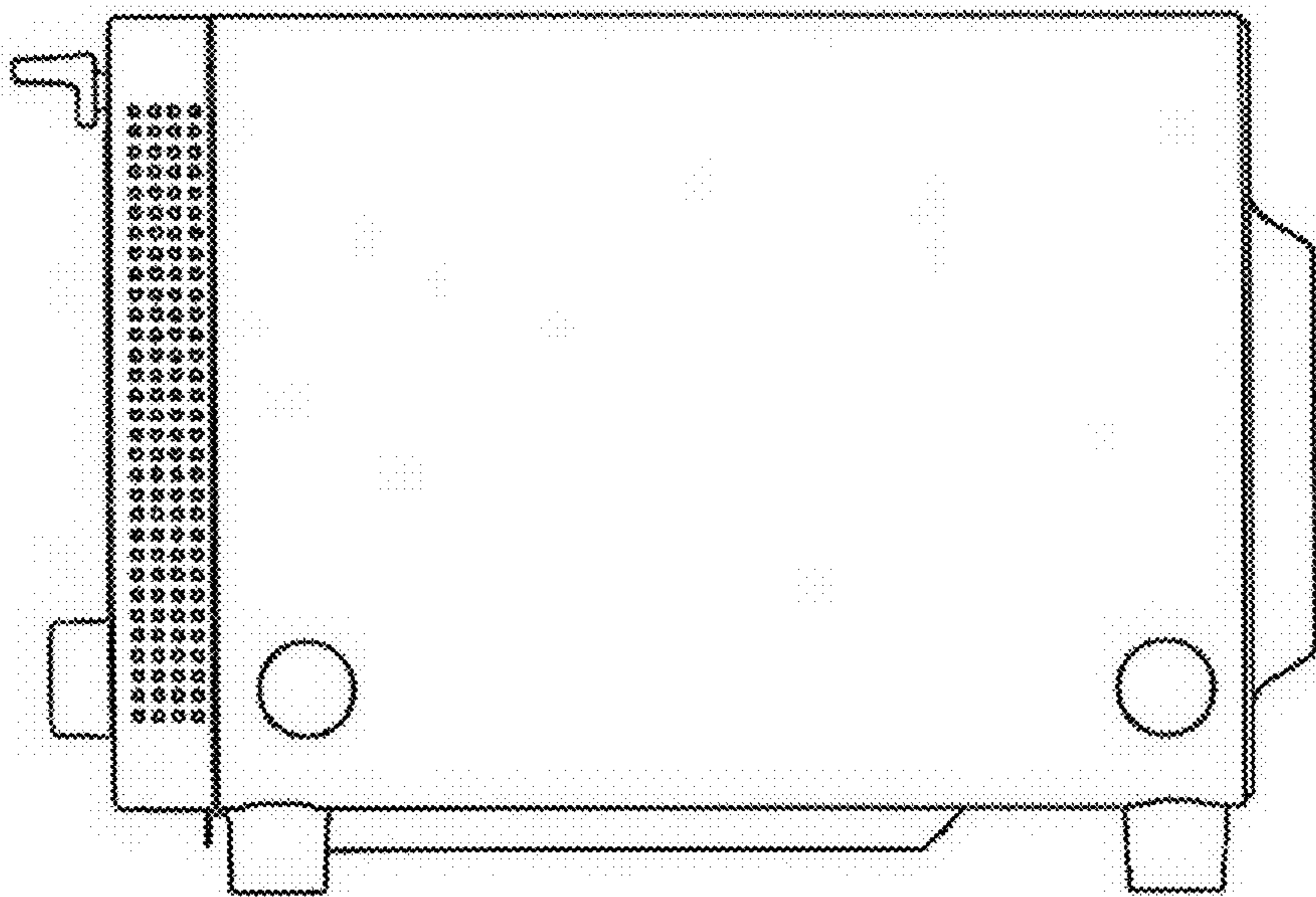
1.5



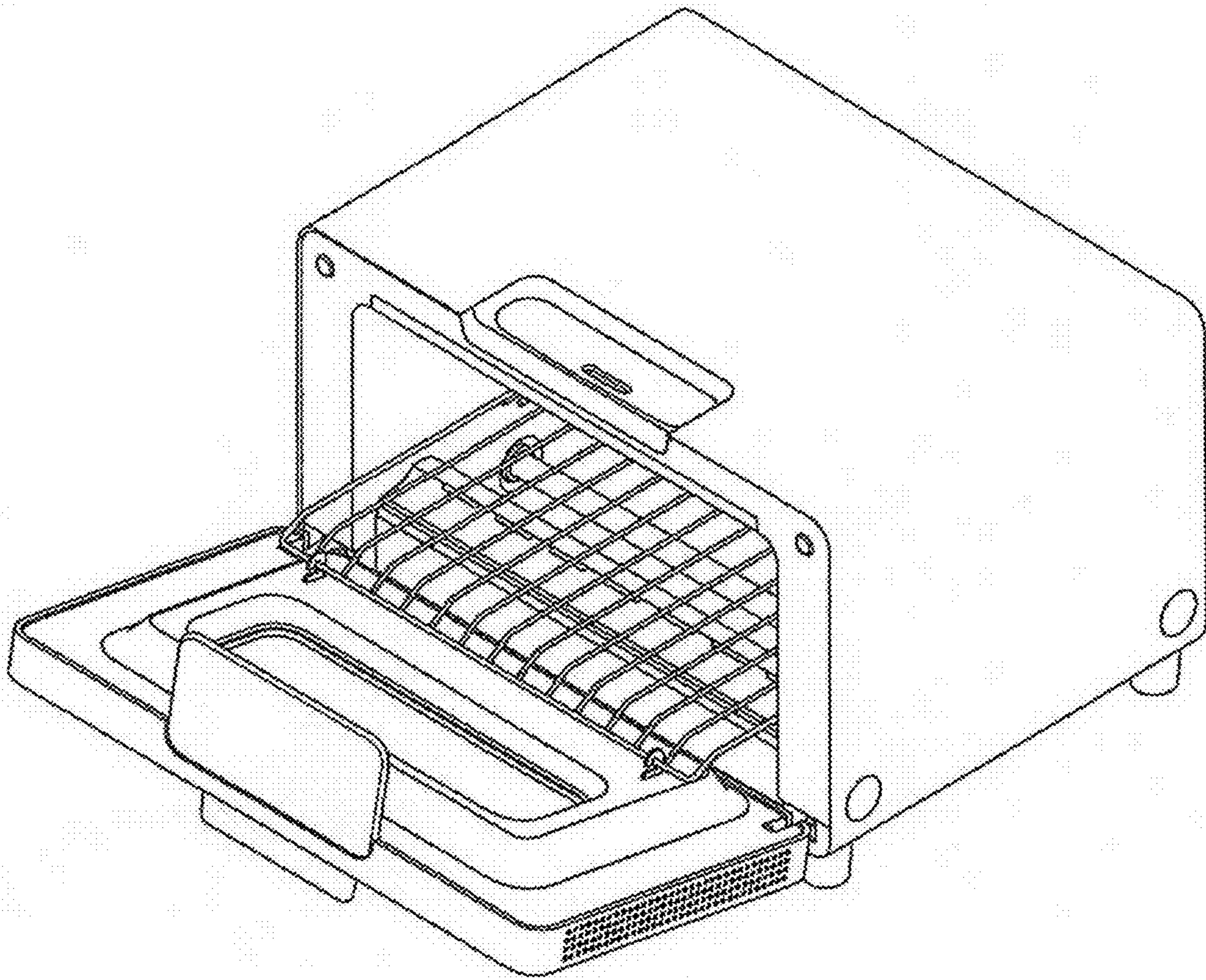
1.6



1.7



1.8



1.9

