



US00D780503S

(12) **United States Design Patent** (10) **Patent No.:** **US D780,503 S**
Junesand (45) **Date of Patent:** **** Mar. 7, 2017**

(54) **OVEN**
(71) Applicant: **Revent International AB**, Upplands Vasby (SE)
(72) Inventor: **Per Junesand**, Stockholm (SE)
(73) Assignee: **REVENT INTERNATIONAL AB**, Upplands Vasby (SE)
(**) Term: **14 Years**
(21) Appl. No.: **29/514,127**
(22) Filed: **Jan. 8, 2015**

Related U.S. Application Data

(62) Division of application No. 29/485,279, filed on Mar. 18, 2014, now Pat. No. Des. 734,088.

Foreign Application Priority Data

Sep. 18, 2013 (EM) 002311779-0001
Sep. 18, 2013 (EM) 002311779-0002

(51) **LOC (10) Cl.** **07-02**

(52) **U.S. Cl.**
USPC **D7/339**; D7/347; D7/348

(58) **Field of Classification Search**

USPC D6/661.3; D7/323, 328-330, 339-349, D7/350.1, 354, 390, 402-406; D8/300-306; D15/88; D20/5
CPC ... A21B 2/00; A47J 37/00; A47J 37/06; A47J 37/0611; A47J 37/08; A47J 37/0807; A47J 37/0814; A47J 37/0835; A47J 37/0842; A47J 37/085; A47J 37/0864; A47J 37/0878; A47J 37/0885; A47J 37/0892; F24C 7/00; F24C 7/002; F24C 7/046; F24C 7/067; F24C 15/02; F24C 15/04; F24C 15/10; F24C 15/102; G07F 9/02; H01F 27/02

See application file for complete search history.

(56) **References Cited**

U.S. PATENT DOCUMENTS

3,315,023 A * 4/1967 Davis H01F 27/02
174/50
D306,092 S * 2/1990 Rockola D20/5
D363,398 S * 10/1995 Branz D6/661.3
6,023,870 A * 2/2000 McGarrah G07F 9/02
40/594
D443,305 S * 6/2001 Stettes D20/5
D512,082 S * 11/2005 Lowery D15/88
D523,686 S * 6/2006 Currie D7/354
D657,184 S * 4/2012 Segato D7/348
D702,482 S * 4/2014 Davis D7/350.1
D734,088 S * 7/2015 Junesand D7/339

(Continued)

Primary Examiner — Ricky Pham

(74) *Attorney, Agent, or Firm* — Cantor Colburn LLP

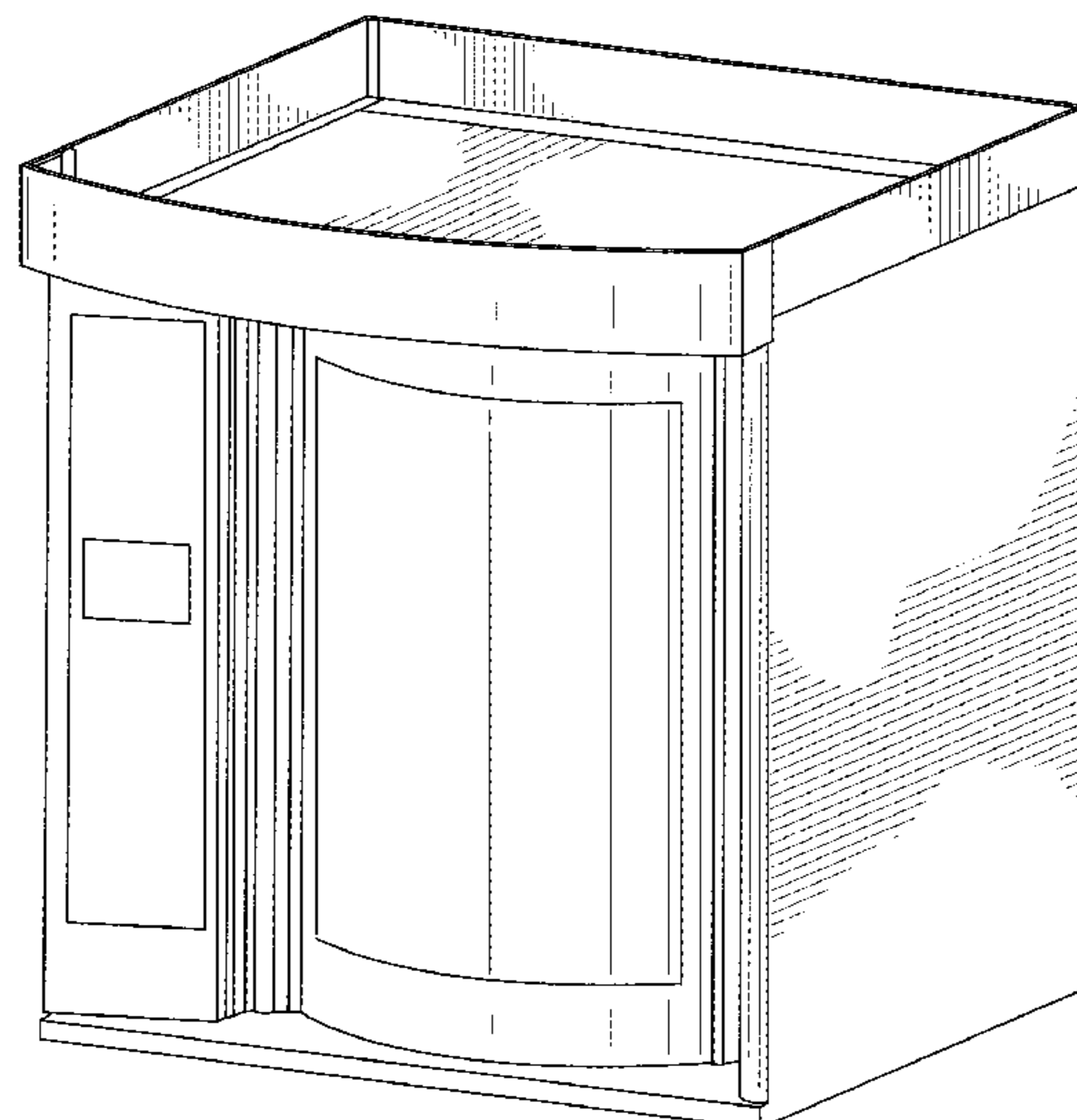
(57) **CLAIM**

I claim, the ornamental design for an oven, as shown and described.

DESCRIPTION

FIG. 1 is a perspective view of an oven, showing my new design;
FIG. 2 is a front elevation view thereof;
FIG. 3 is a rear elevation view thereof;
FIG. 4 is a side elevation view thereof taken from the right of FIG. 2;
FIG. 5 is a side elevation view thereof taken from the left of FIG. 2;
FIG. 6 is a top plan view thereof; and,
FIG. 7 is a bottom plan view thereof.
The broken lines shown in the drawings are for illustrative purposes only and form no part of the claimed design.

1 Claim, 7 Drawing Sheets



(56)

References Cited

U.S. PATENT DOCUMENTS

D739,675 S * 9/2015 Hartkorn D7/328
D757,482 S * 5/2016 Schwamkrug D7/339
2004/0128889 A1* 7/2004 Chirnomas G07F 9/02
40/611.1

* cited by examiner

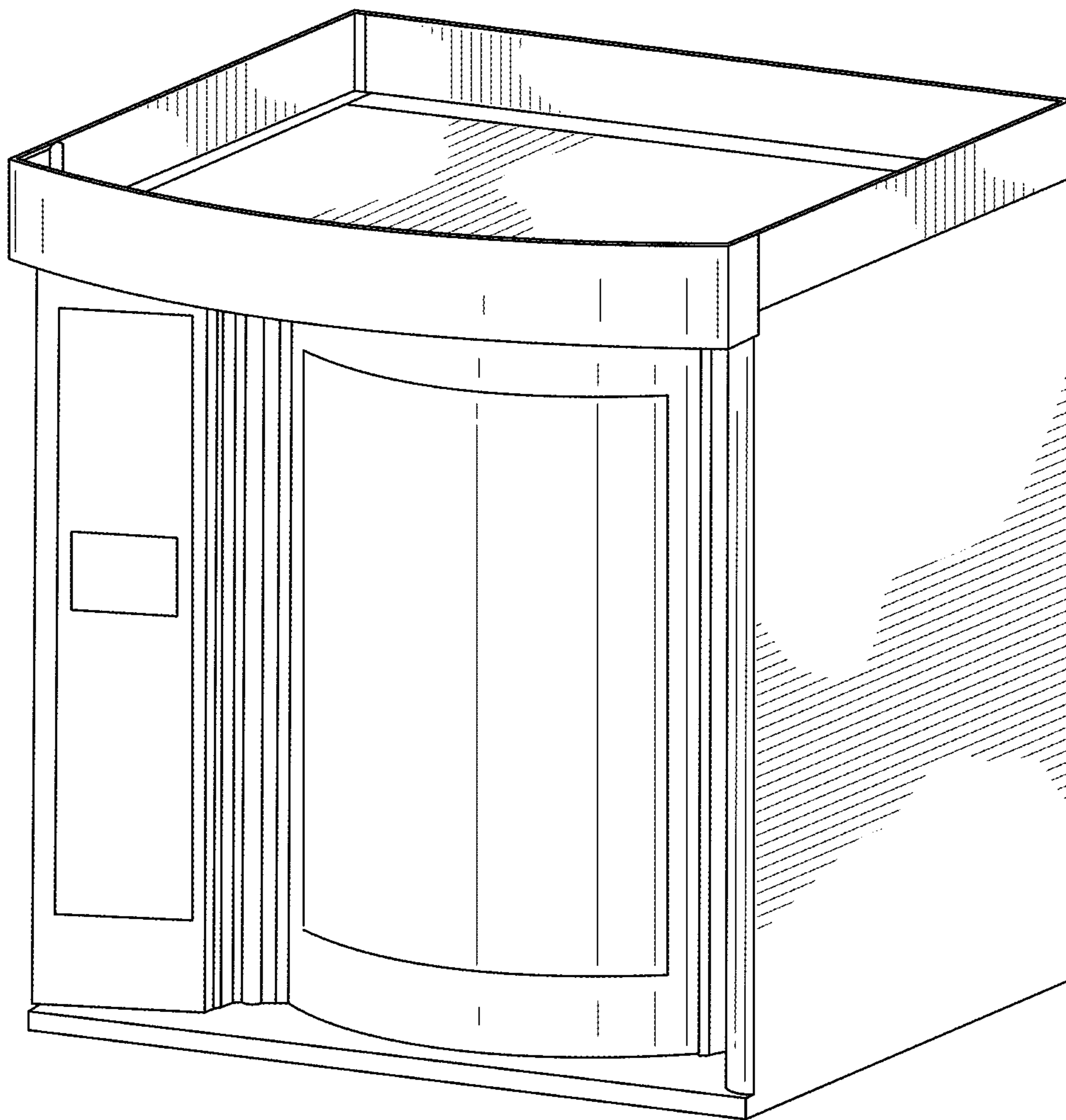


FIG. 1

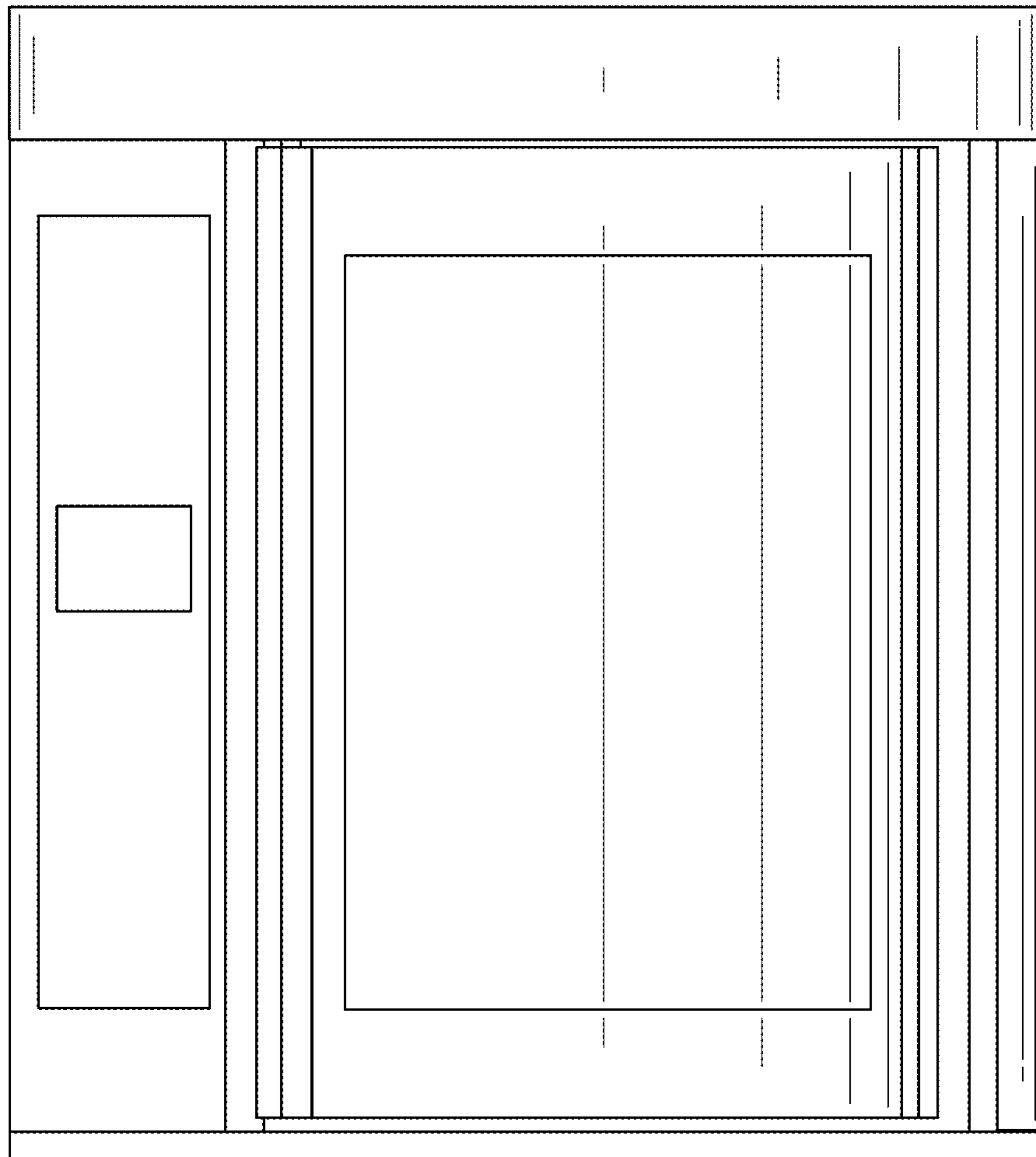


FIG. 2

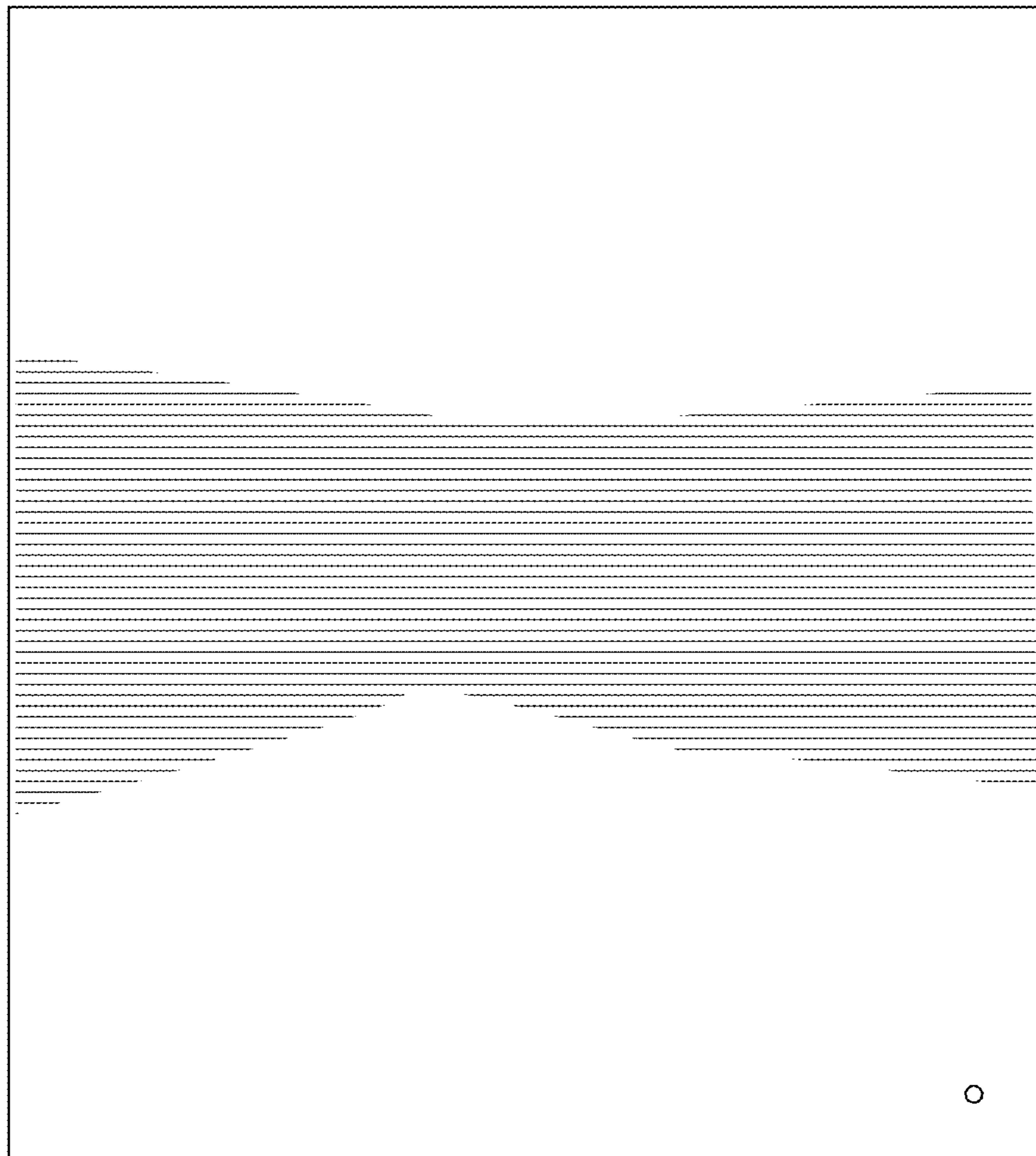


FIG. 3

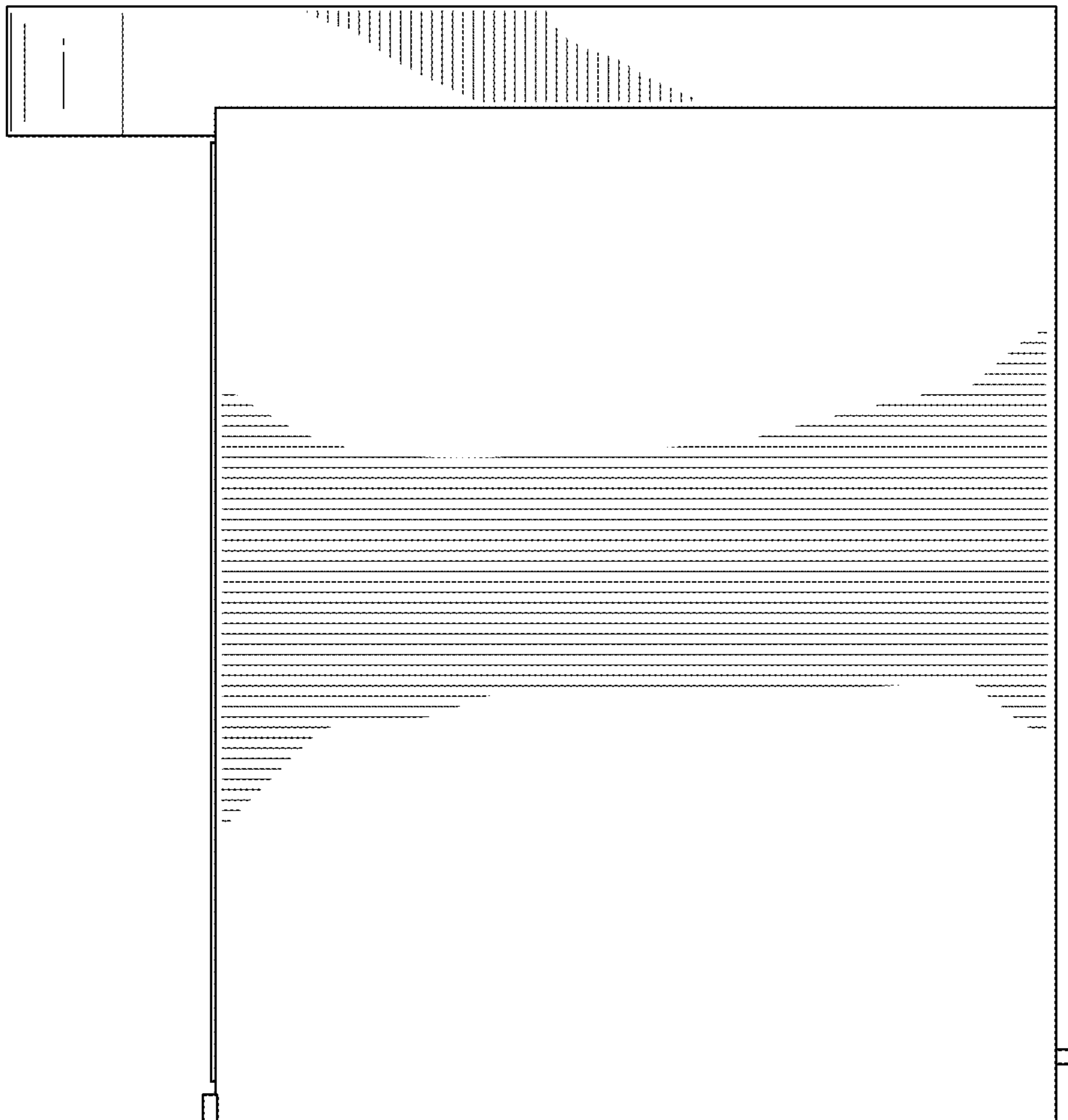


FIG. 4

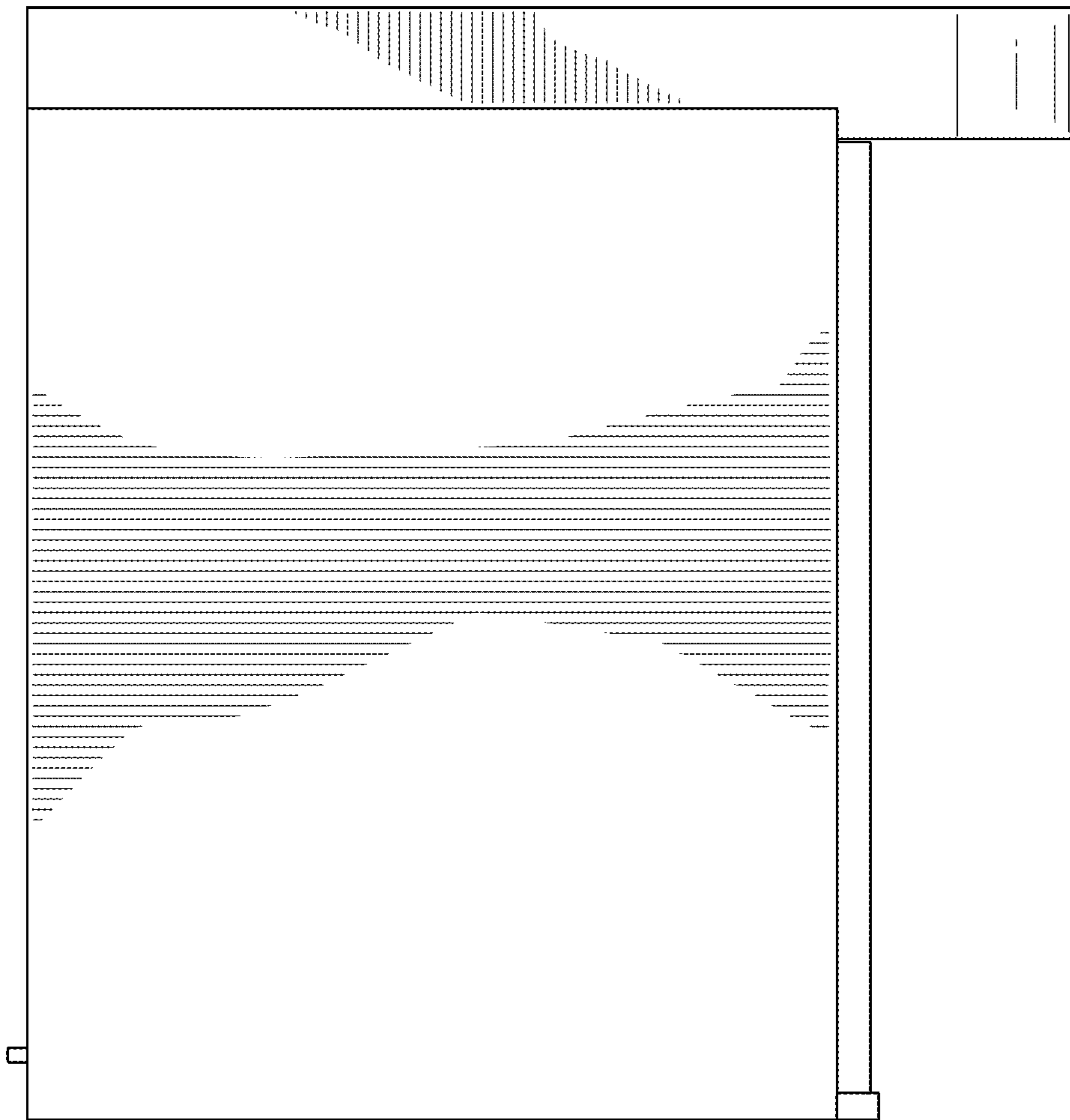


FIG. 5

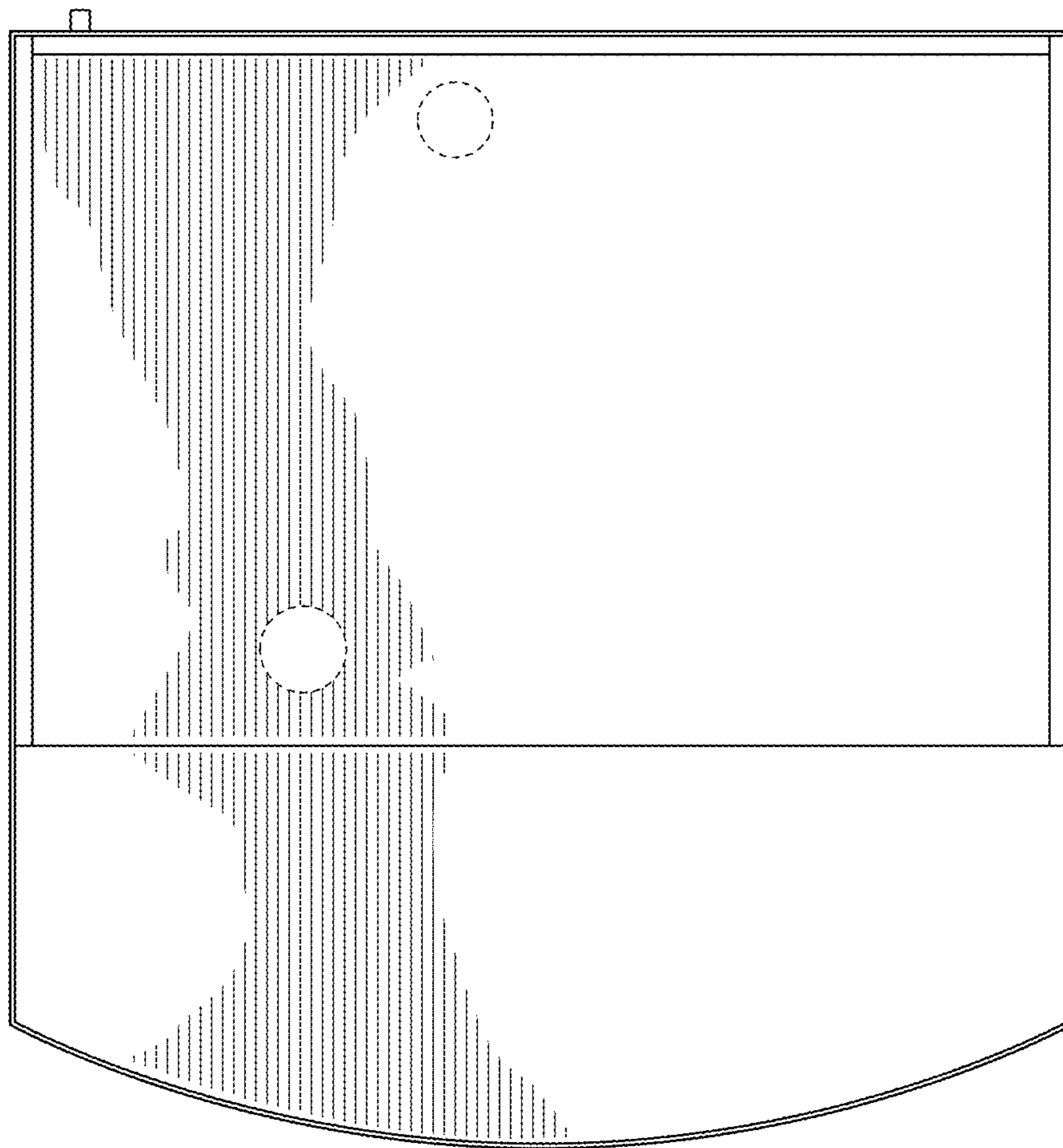


FIG. 6

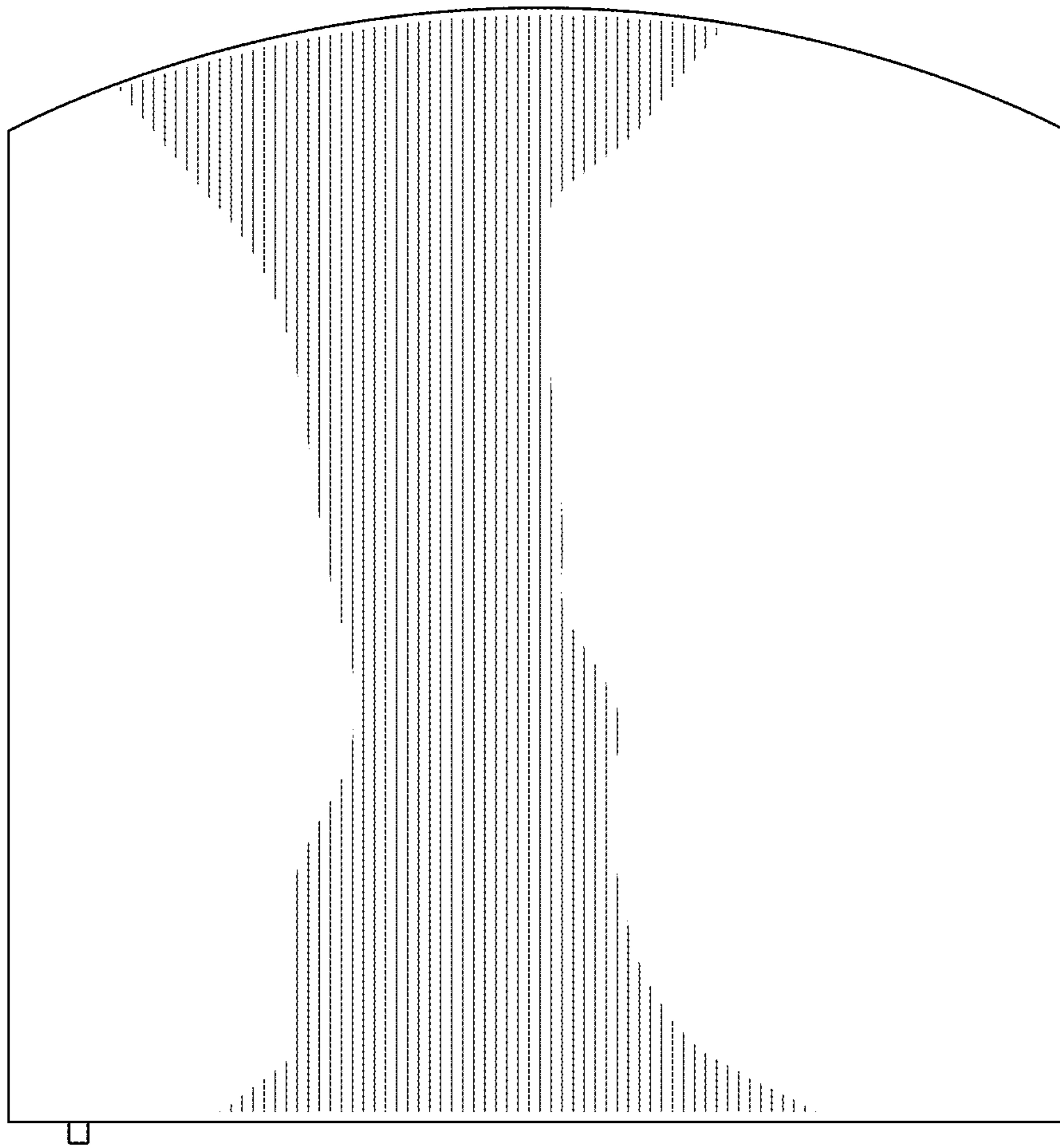


FIG. 7