



US00D780500S

(12) **United States Design Patent**
Bambi

(10) **Patent No.:** **US D780,500 S**

(45) **Date of Patent:** **** Mar. 7, 2017**

(54) **COFFEE MACHINE**

D738,668 S * 9/2015 Buttler D7/309
D740,600 S * 10/2015 Damon D7/307
D758,778 S * 6/2016 Bonetto D7/306

(71) Applicant: **La Marzocco S.r.l.**, Scarperia (IT)

* cited by examiner

(72) Inventor: **Piero Bambi**, Scarperia (IT)

Primary Examiner — Marianne Pandozzi

(73) Assignee: **La Marzocco S.r.l.**, Scarperia (IT)

(74) *Attorney, Agent, or Firm* — Christensen O'Connor
Johnson Kindness PLLC

(**) Term: **14 Years**

(21) Appl. No.: **29/524,340**

(57) **CLAIM**

(22) Filed: **Apr. 20, 2015**

The ornamental design for a coffee machine, and shown.

(30) **Foreign Application Priority Data**

DESCRIPTION

Oct. 23, 2014 (EM) 002563080

(51) **LOC (10) Cl.** **07-01**

(52) **U.S. Cl.**
USPC **D7/309; D7/311**

(58) **Field of Classification Search**
USPC ... D7/306–311, 313, 312, 305; 99/279, 290,
99/282; D23/207

CPC A47J 31/4403; A47J 31/44; A47J 31/56;
A47J 31/4482; F16M 1/00; B67D 3/0022;
B67D 3/0009

See application file for complete search history.

FIG. 1 is a front-right perspective view of a coffee machine in accordance with the present design;

FIG. 2 is a front view of the coffee machine shown in FIG. 1;

FIG. 3 is a rear view of the coffee machine shown in FIG. 1;

FIG. 4 is a right side view of the coffee machine shown in FIG. 1;

FIG. 5 is a left side view of the coffee machine shown in FIG. 1;

FIG. 6 is a top plan view of the coffee machine shown in FIG. 1; and,

FIG. 7 is a bottom view of the coffee machine shown in FIG. 1.

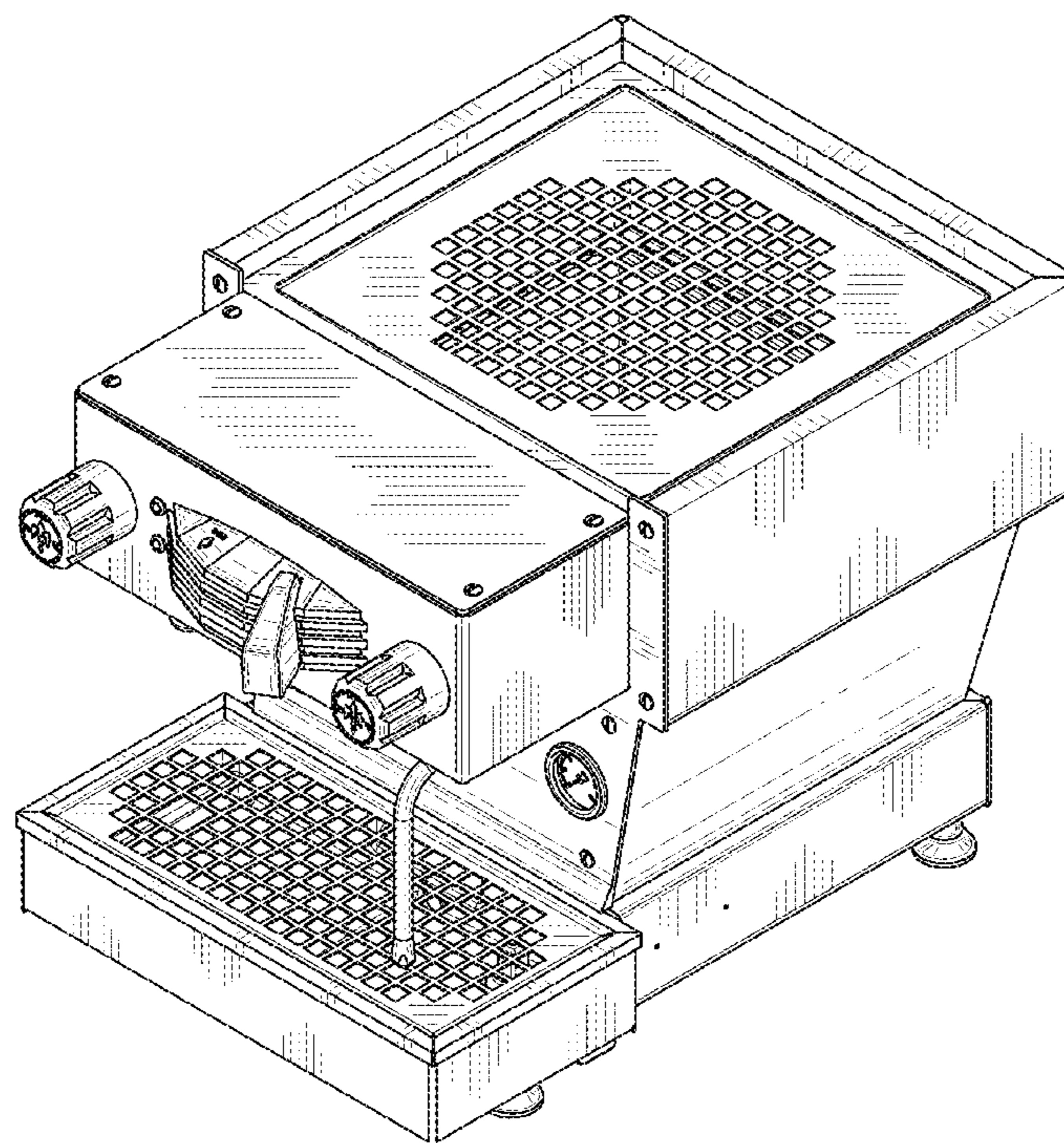
The broken lines in the drawing depict portions of the coffee machine that form no part of the claimed design.

(56) **References Cited**

U.S. PATENT DOCUMENTS

D310,002 S * 8/1990 Rossio D7/308
D647,356 S * 10/2011 De' Longhi D7/309

1 Claim, 7 Drawing Sheets



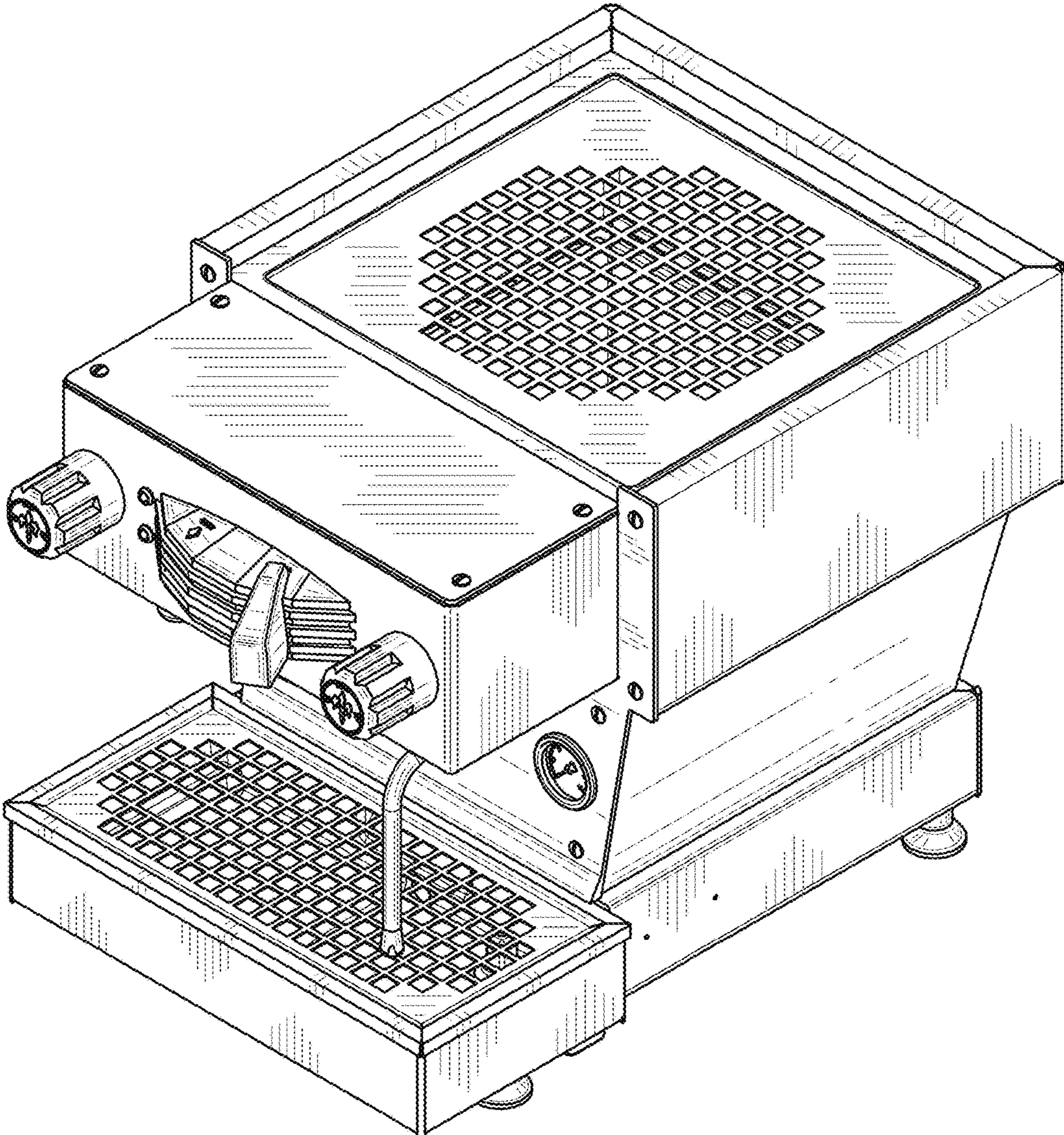


FIG. 1

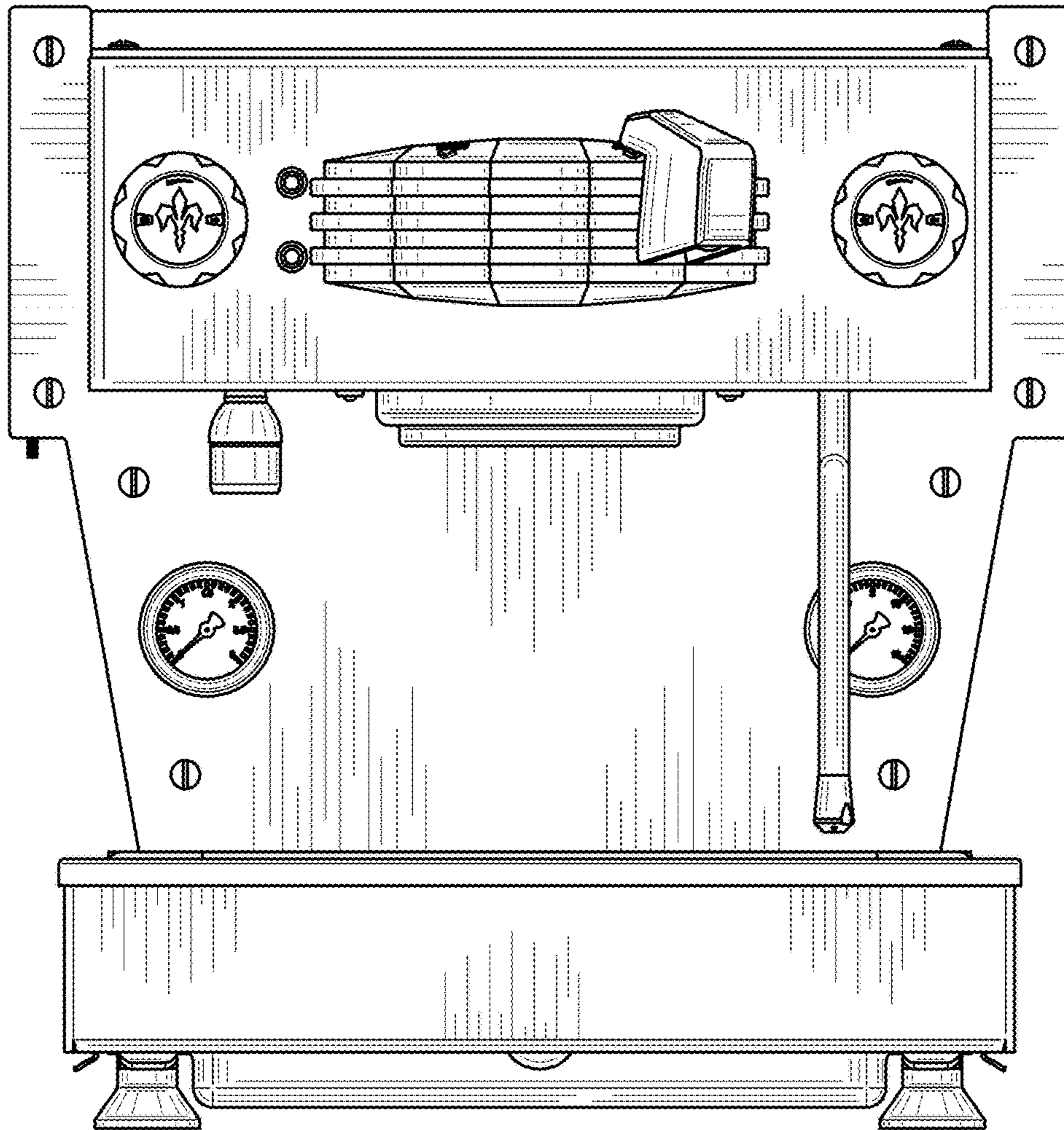


FIG. 2

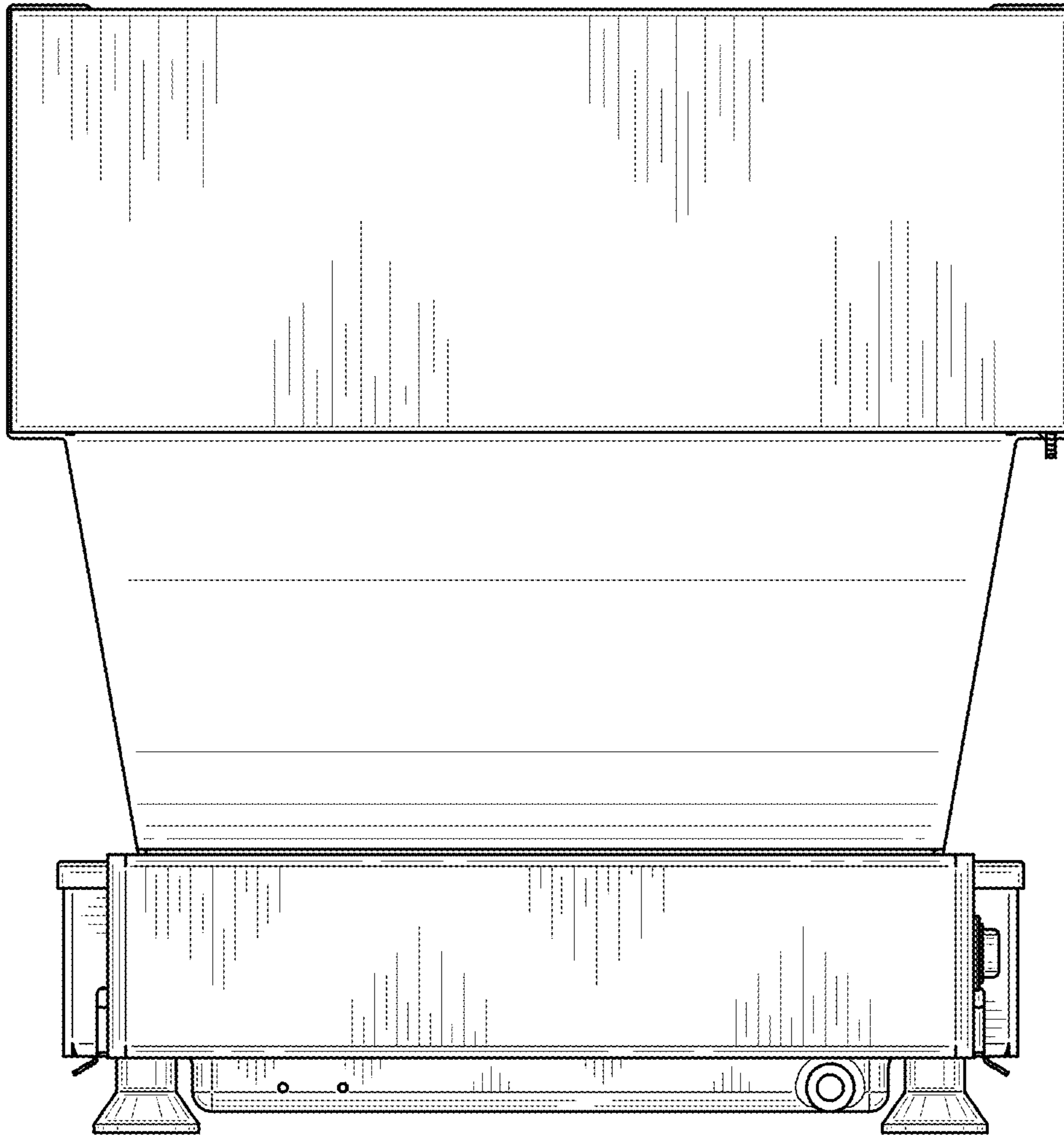


FIG. 3

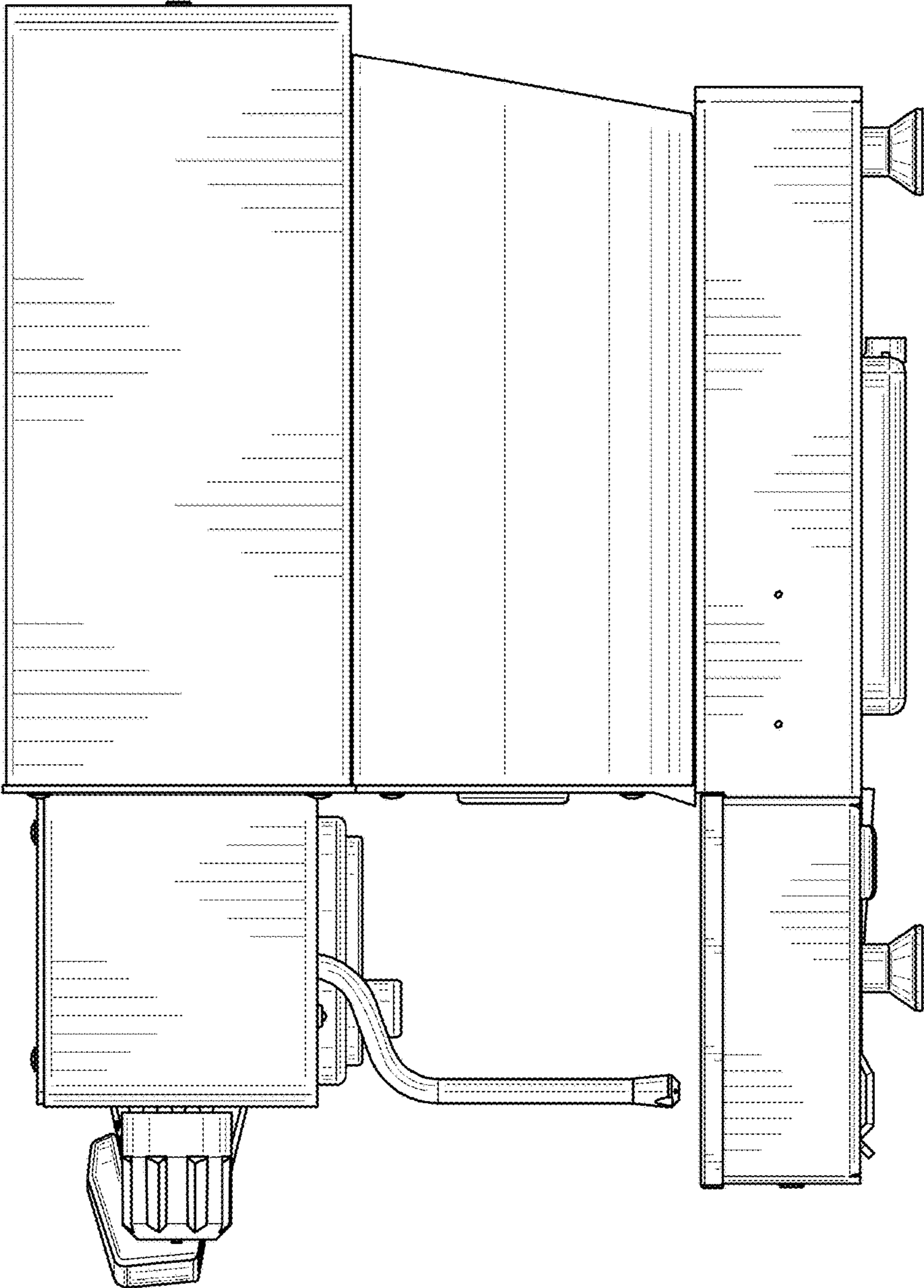


FIG. 4

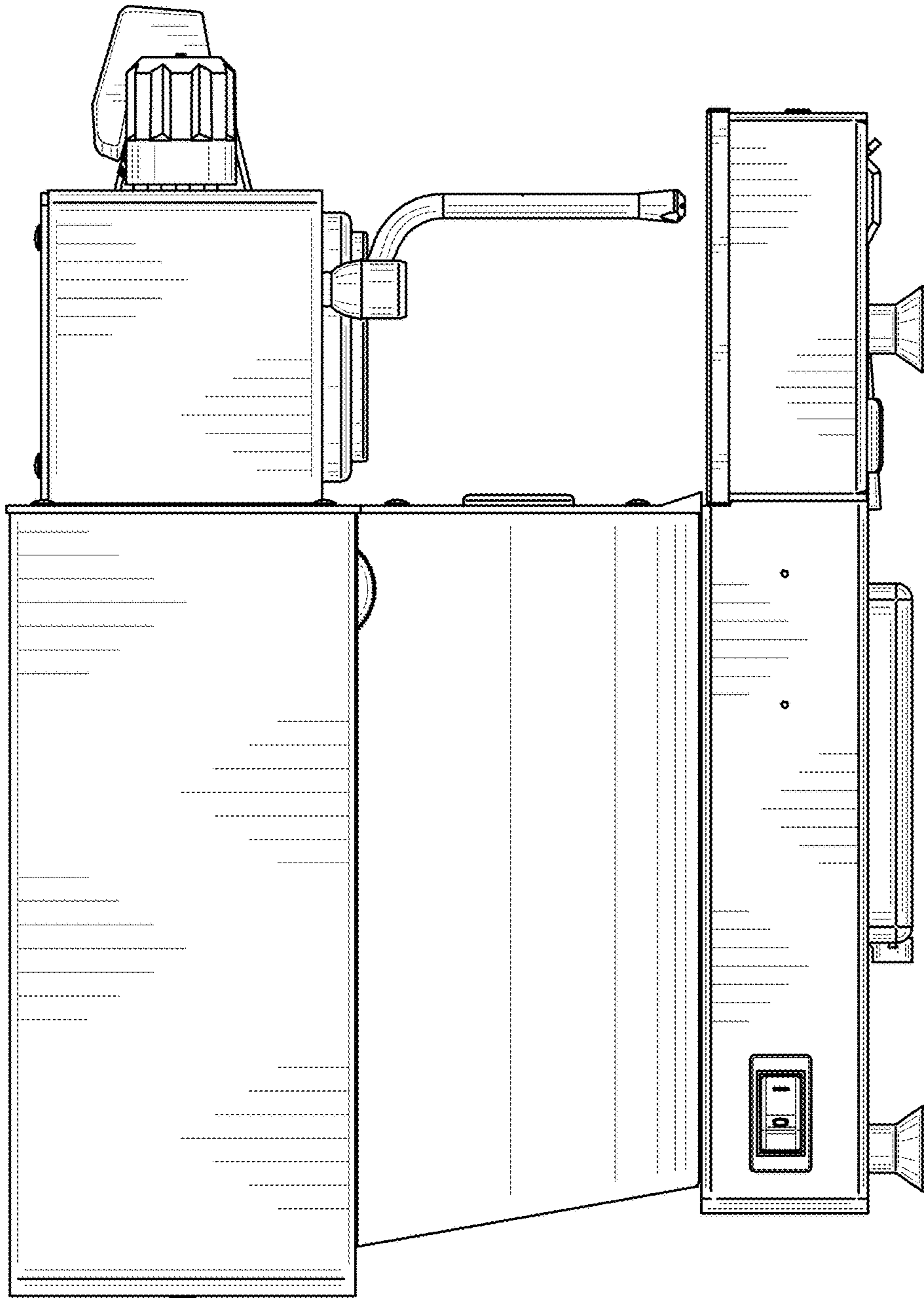


FIG. 5

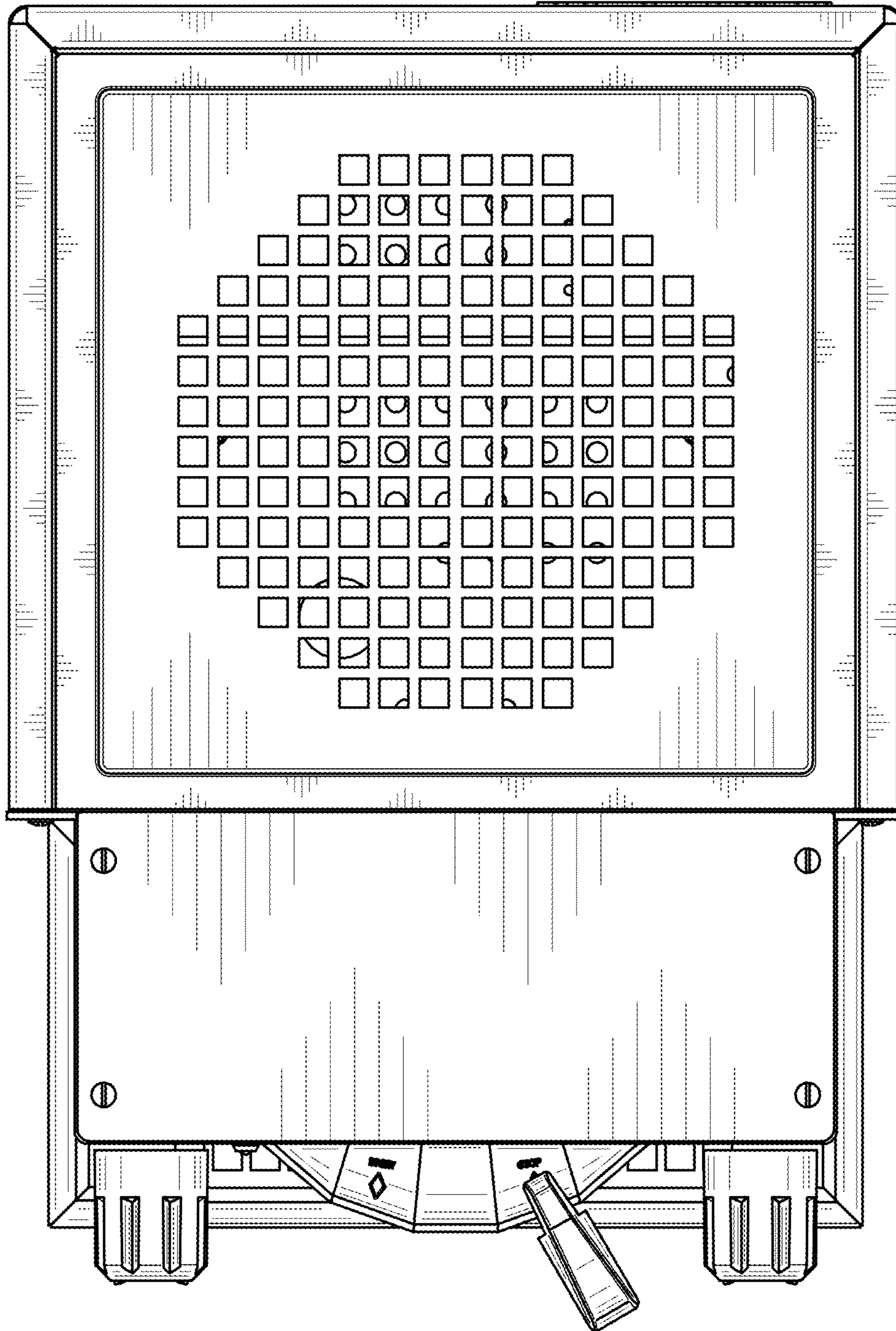


FIG. 6

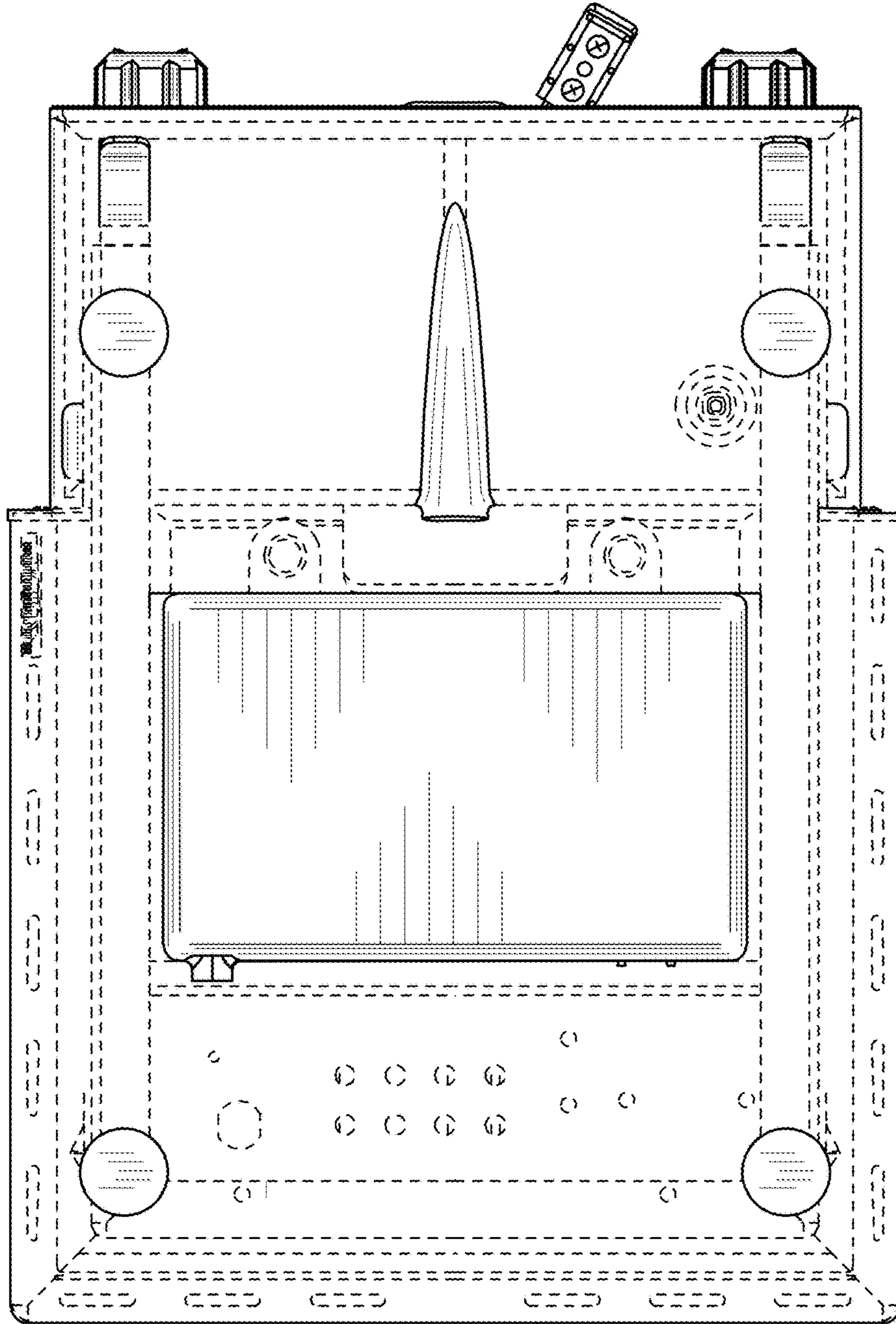


FIG. 7

UNITED STATES PATENT AND TRADEMARK OFFICE
CERTIFICATE OF CORRECTION

PATENT NO. : D780,500 S
APPLICATION NO. : 29/524340
DATED : March 7, 2017
INVENTOR(S) : P. Bambi

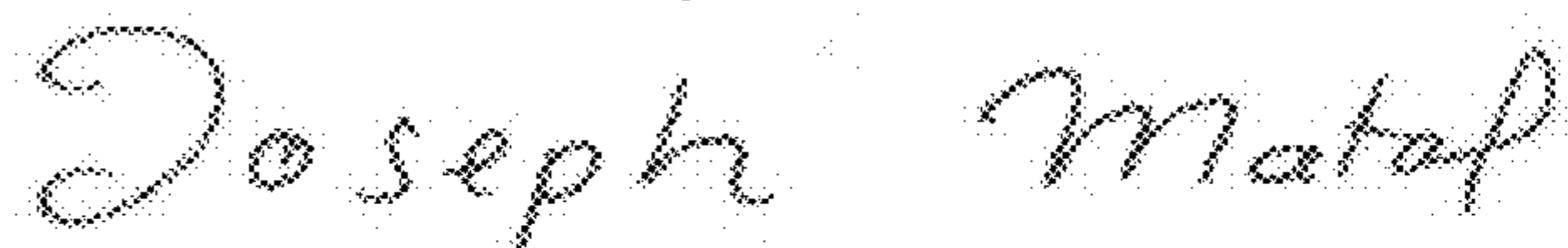
Page 1 of 1

It is certified that error appears in the above-identified patent and that said Letters Patent is hereby corrected as shown below:

On the Title Page

<u>Column</u>	<u>Line</u>	<u>Error</u>
Item (57) Column 2	1	“The ornamental design for a coffee machine, and shown.” should read --The ornamental design for a coffee machine, as shown.--

Signed and Sealed this
Fourteenth Day of November, 2017



Joseph Matal
*Performing the Functions and Duties of the
Under Secretary of Commerce for Intellectual Property and
Director of the United States Patent and Trademark Office*