



US00D780499S

(12) **United States Design Patent**  
**Tsai**

(10) **Patent No.:** **US D780,499 S**  
(45) **Date of Patent:** **\*\* Mar. 7, 2017**

- (54) **CHAIR BACK FRAME**
- (71) Applicant: **Zhongshan Shi Songlin Furniture Co., Ltd.**, Zhongshan, Guangdong Prov. (CN)
- (72) Inventor: **Hsuan-Chin Tsai**, Chai-Yi Hsien (TW)
- (73) Assignee: **Zhongshan Shi Songlin Furniture Co., Ltd.**, Zhongshan (CN)

(\*\*) Term: **15 Years**

(21) Appl. No.: **29/530,635**

(22) Filed: **Jun. 18, 2015**

(51) **LOC (10) Cl.** ..... **06-01**

(52) **U.S. Cl.**  
USPC ..... **D6/716.4; D6/366**

(58) **Field of Classification Search**  
USPC ..... D6/334-336, 364, 365, 366, 369, 374, D6/376, 379, 380, 716, 716.1, 716.2, D6/716.3, 716.4  
CPC .. B60N 2/66; A47C 7/405; A47C 7/14; A47C 7/38; A47C 7/40; A47C 7/46; A47C 7/282; A47C 7/402  
See application file for complete search history.

(56) **References Cited**

**U.S. PATENT DOCUMENTS**

- D320,120 S \* 9/1991 Samuelsson ..... D6/366
- D501,333 S \* 2/2005 Piretti ..... D6/366
- D509,975 S \* 9/2005 Pan ..... D6/366
- D510,671 S \* 10/2005 Wu ..... D6/366
- D641,572 S \* 7/2011 Tsai ..... D6/716.4
- D641,575 S \* 7/2011 Hsuan-Chin ..... D6/716.4

- D644,466 S \* 9/2011 Wu ..... D6/716.4
- D645,684 S \* 9/2011 Chen ..... D6/366
- D661,916 S \* 6/2012 Chen ..... D6/366
- D673,399 S \* 1/2013 Gu ..... D6/716.4
- 8,579,376 B2 \* 11/2013 Chen ..... A47C 7/402  
297/353
- D698,167 S \* 1/2014 Wan ..... D6/366
- D708,883 S \* 7/2014 Tsai ..... D6/716.4
- D708,884 S \* 7/2014 Hsuan-Chin ..... D6/716.4
- D708,885 S \* 7/2014 Tsai ..... D6/716.4
- D724,878 S \* 3/2015 Tsai ..... D6/716.4

\* cited by examiner

*Primary Examiner* — Mimosa De

(74) *Attorney, Agent, or Firm* — Alan D. Kamrath; Kamrath IP Lawfirm, P.A.

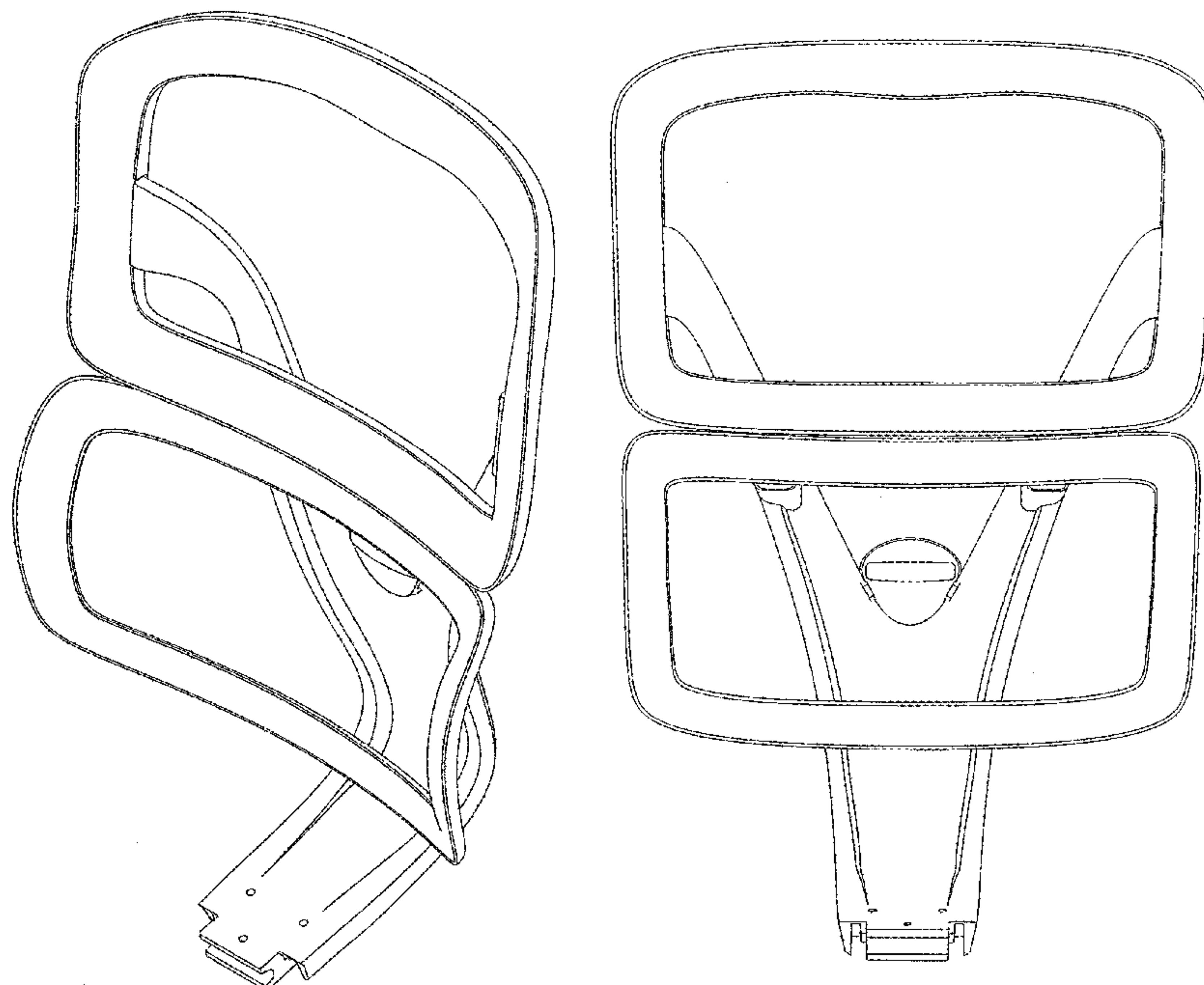
(57) **CLAIM**

The ornamental design for a chair back frame, as shown and described.

**DESCRIPTION**

FIG. 1 is a front perspective view of a chair back frame, showing my new design;  
FIG. 2 is a front elevational view thereof;  
FIG. 3 is a rear elevational view thereof;  
FIG. 4 is a left side view thereof;  
FIG. 5 is a right side view thereof;  
FIG. 6 is a top plan view thereof;  
FIG. 7 is a bottom plan view thereof; and,  
FIG. 8 is a rear perspective view thereof.  
The broken lines showing of the screws in the drawing are for illustrative purposes only and form no part of the claimed design.

**1 Claim, 6 Drawing Sheets**



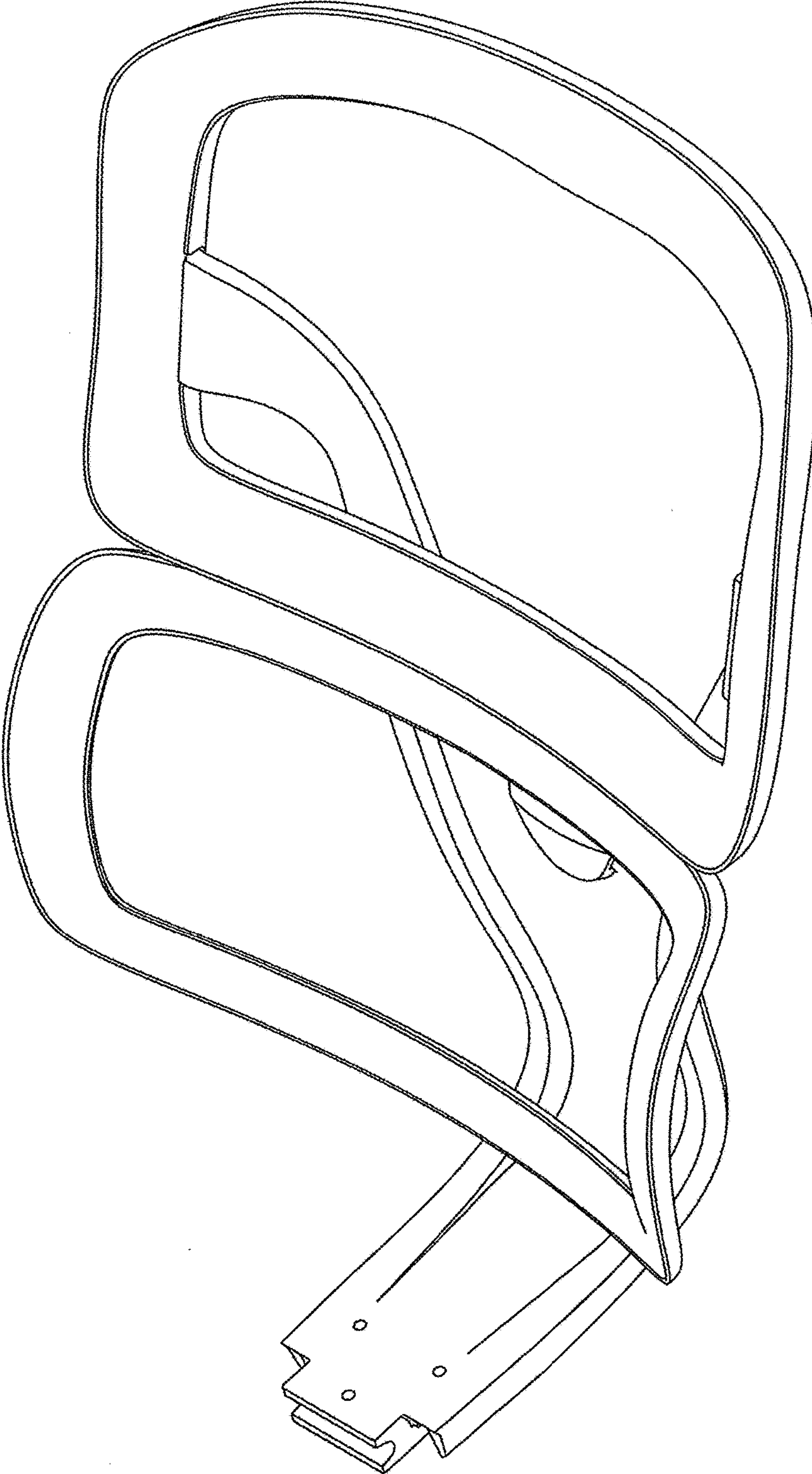


FIG. 1

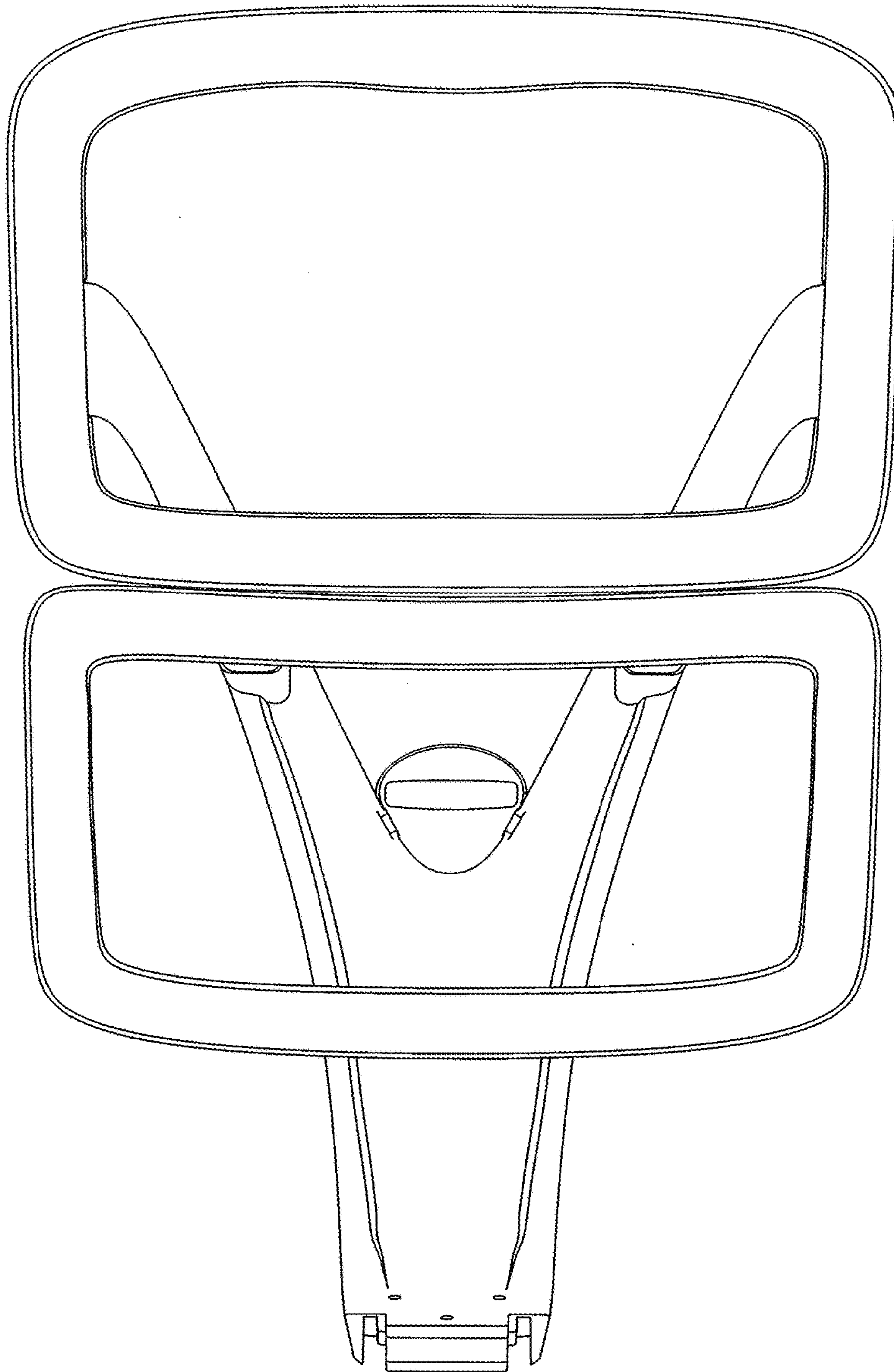


FIG. 2

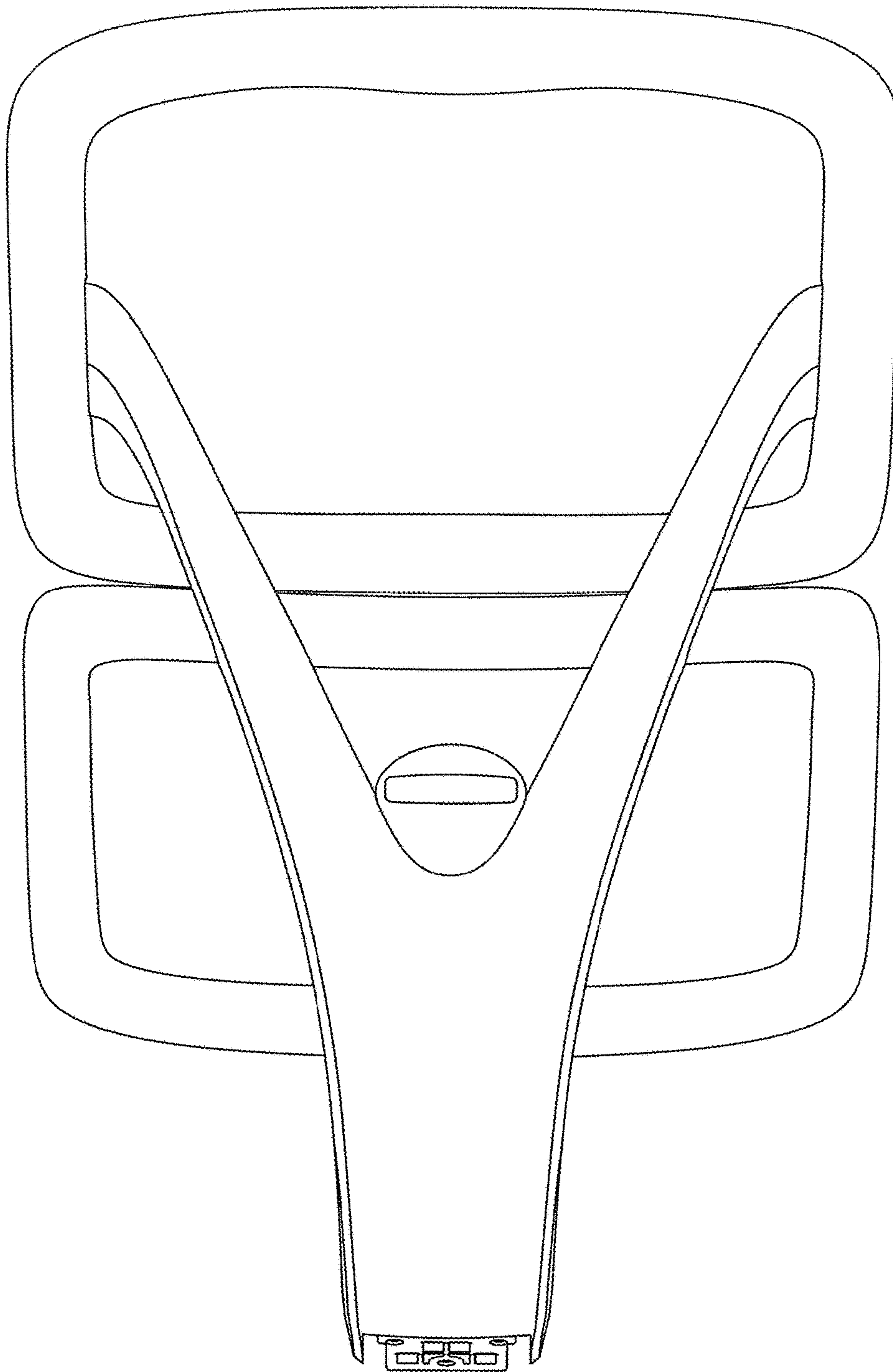


FIG. 3



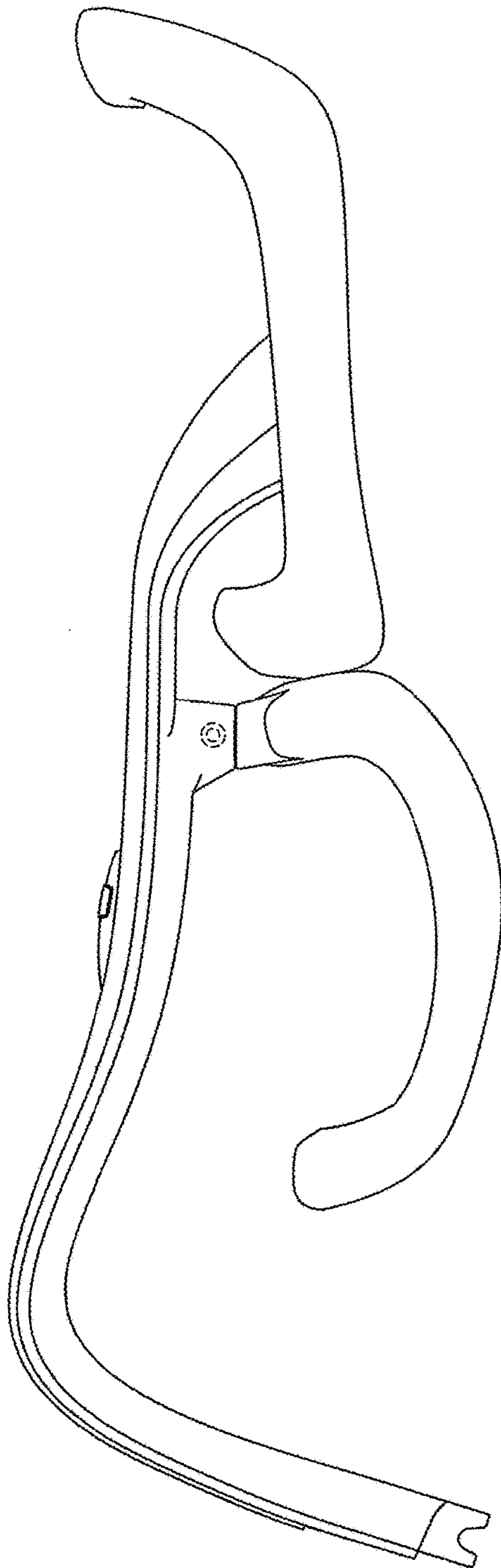


FIG. 4

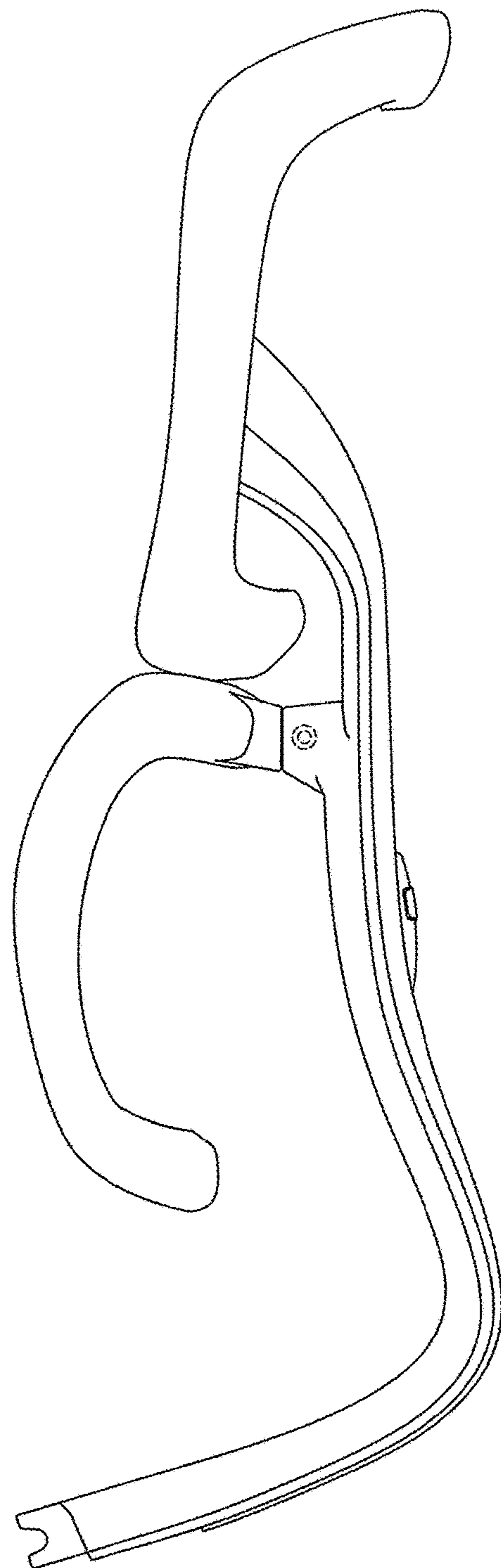


FIG. 5

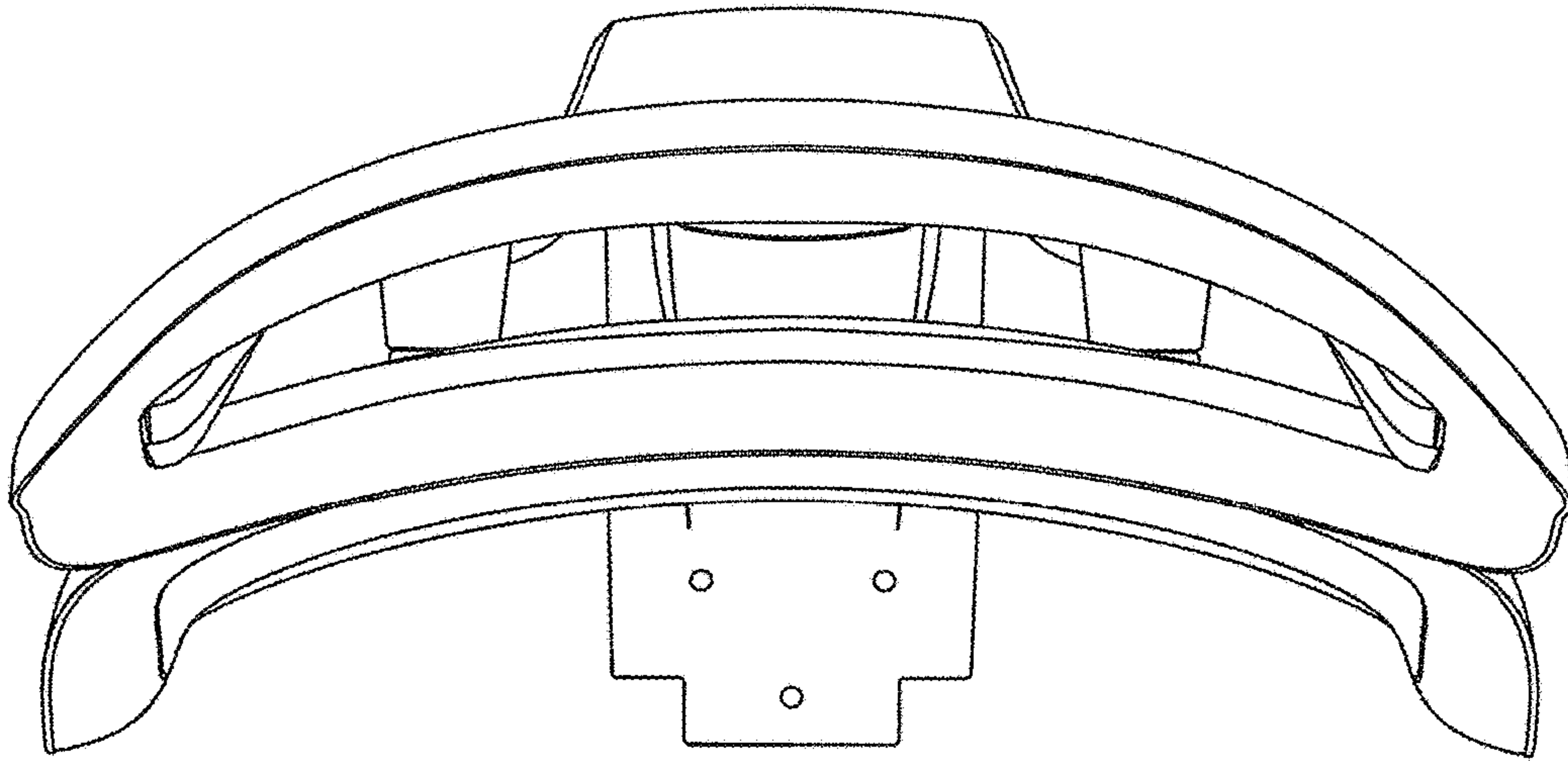


FIG. 6

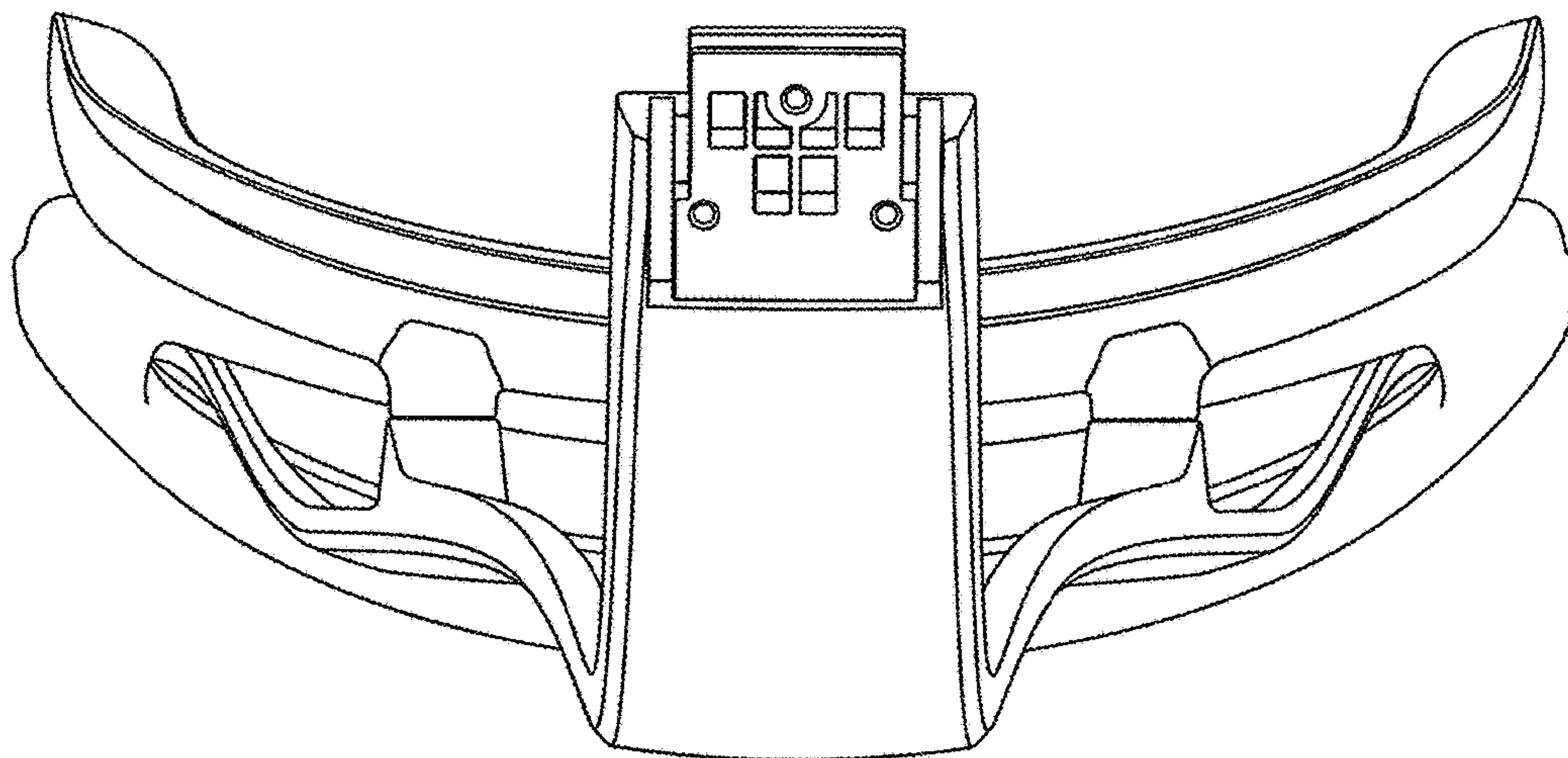


FIG. 7

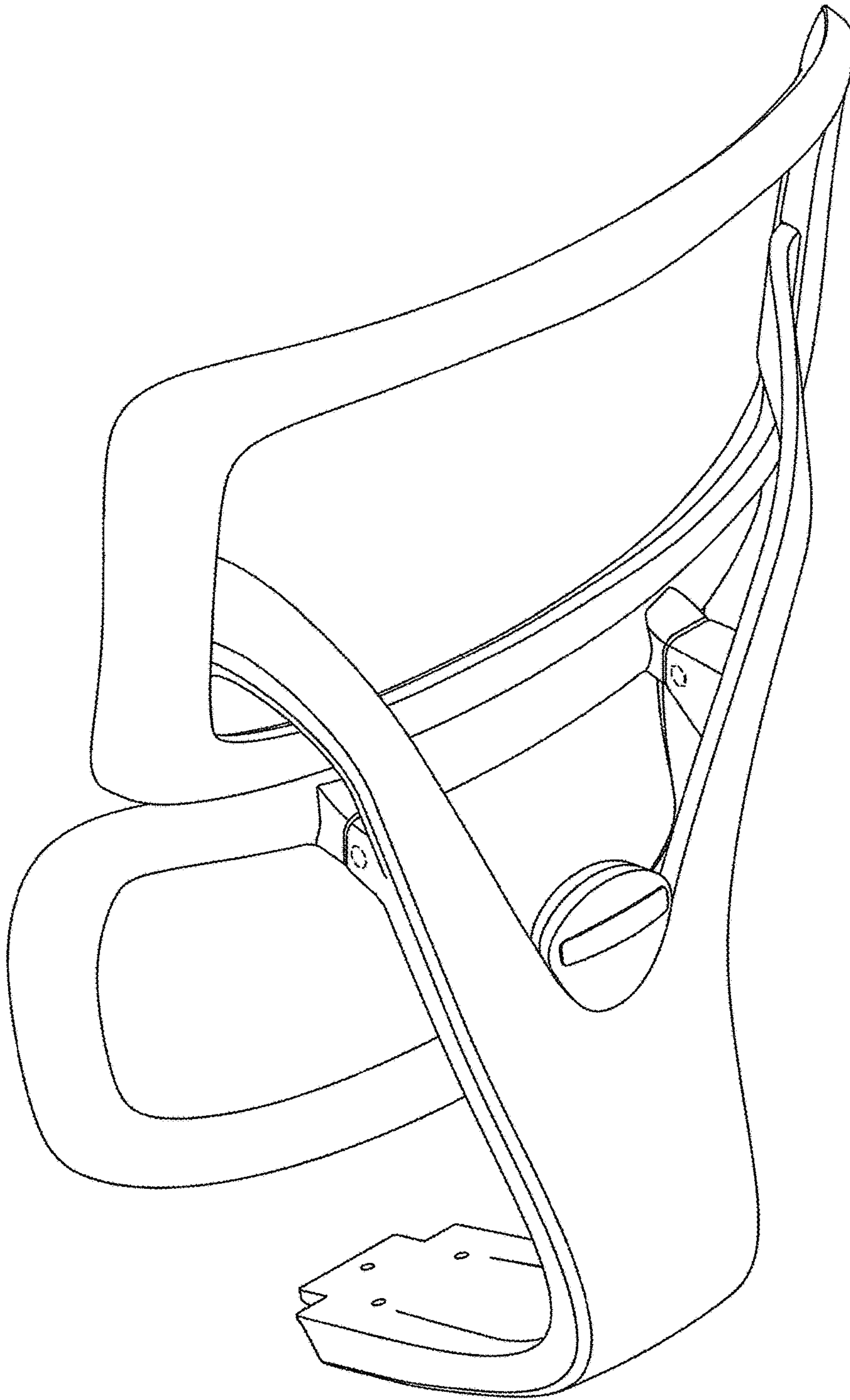


FIG. 8