



US00D780498S

(12) **United States Design Patent** (10) **Patent No.:** **US D780,498 S**
Chuah (45) **Date of Patent:** **** *Mar. 7, 2017**

(54) **CUSHION FOR HIGHCHAIR**
(71) Applicant: **Khai Gan Chuah**, Austin, TX (US)
(72) Inventor: **Khai Gan Chuah**, Austin, TX (US)
(*) Notice: This patent is subject to a terminal disclaimer.
(**) Term: **14 Years**
(21) Appl. No.: **29/503,311**
(22) Filed: **Sep. 25, 2014**
(51) **LOC (10) Cl.** **06-01**
(52) **U.S. Cl.**
USPC **D6/716.4**
(58) **Field of Classification Search**
USPC ... D6/334-336, 716, 716.1-716.7, 374-375, D6/379-380; 297/284.4, 16.1, 16.2, 297/440.1, 57, 411.27, 452.3, 452.29, 297/452.13, 452.46, 452.48, 452.19, 297/452.38, 452.26, 452.63, 445.1, 446.1, 297/440.14; D24/128, 186, 190; 5/633; 601/49
CPC A47C 1/02; A47C 1/03255; A47C 1/024; A47C 3/025; A47C 3/026; A47C 7/02; A47C 7/022; A47C 7/282; A47C 7/40; A47C 7/402; A47C 7/44; A47C 7/46; A47C 7/54
See application file for complete search history.

D341,045 S * 11/1993 Barile D6/716.4
D345,477 S * 3/1994 Infanti D6/716.4
D368,609 S * 4/1996 Roberts 297/352
D401,453 S * 11/1998 Holt D6/716.4
D430,762 S * 9/2000 Laufer D6/716.4
D438,734 S * 3/2001 Turner D6/716.4
D463,701 S * 10/2002 Borcharding D6/601
D479,068 S * 9/2003 Gilbert D6/716.4
D586,594 S * 2/2009 Rittfeldt D6/716.4
D595,072 S * 6/2009 Su D6/716.4
D747,613 S * 1/2016 Scarlett D6/601

* cited by examiner

Primary Examiner — Abraham Bahta
(74) *Attorney, Agent, or Firm* — Howard & Howard Attorneys PLLC

(57) **CLAIM**

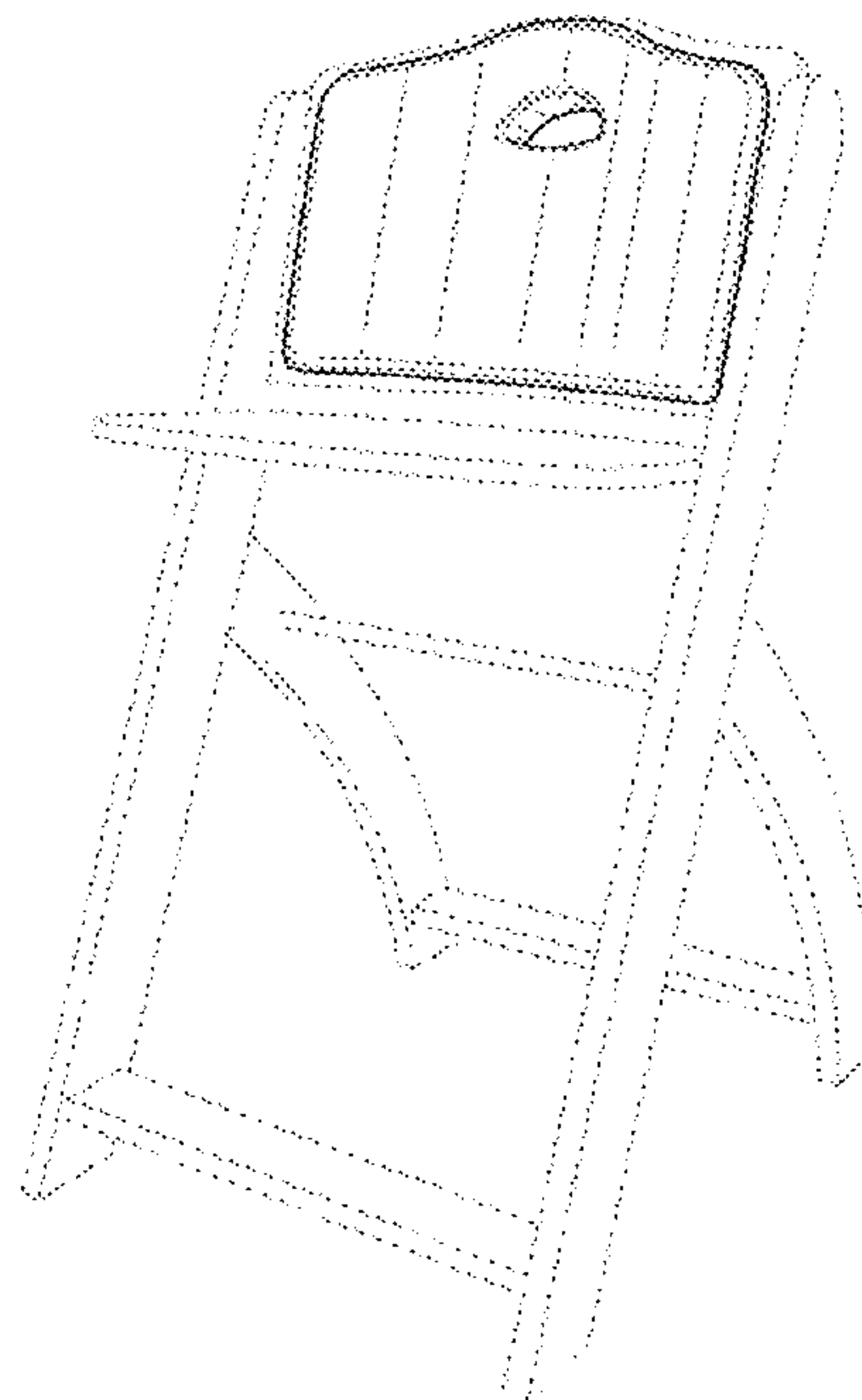
The ornamental design for a cushion for highchair, as shown and described.

DESCRIPTION

FIG. 1 is a perspective view of the cushion for highchair showing my new design;
FIG. 2 is a front elevational view thereof;
FIG. 3 is a rear elevational view thereof;
FIG. 4 is a right side view of the cushion for highchair as shown in FIG. 1 with the left side being a mirror image of the right side thereof;
FIG. 5 is a top view thereof; and,
FIG. 6 is a bottom view thereof.
The broken line showing of a chair is included for the purpose of illustrating environmental structure and forms no part of the claimed design.

1 Claim, 6 Drawing Sheets

(56) **References Cited**
U.S. PATENT DOCUMENTS
D249,217 S * 9/1978 Pierce D6/374
D295,248 S * 4/1988 Sommerfield D6/601



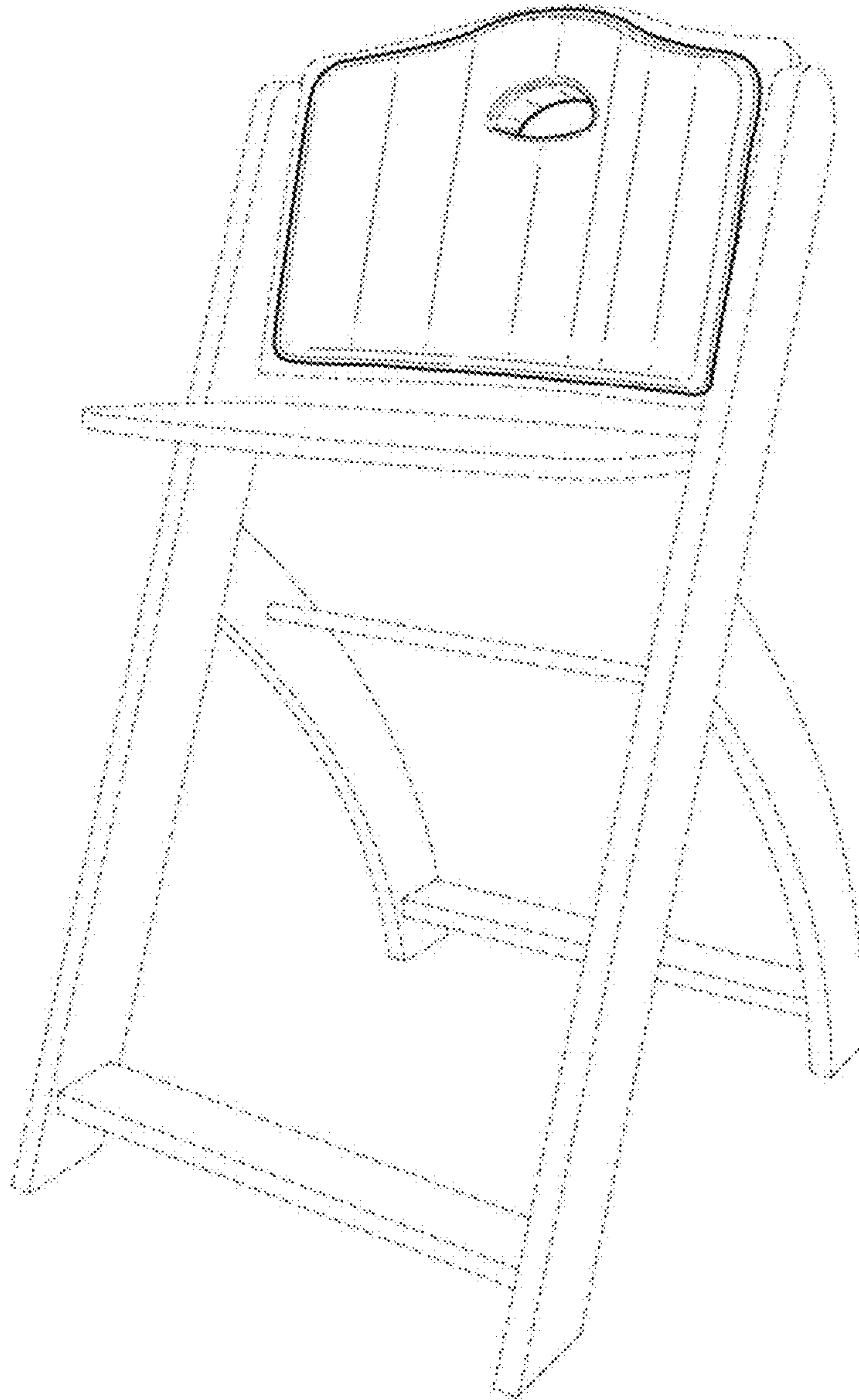


FIG. 1

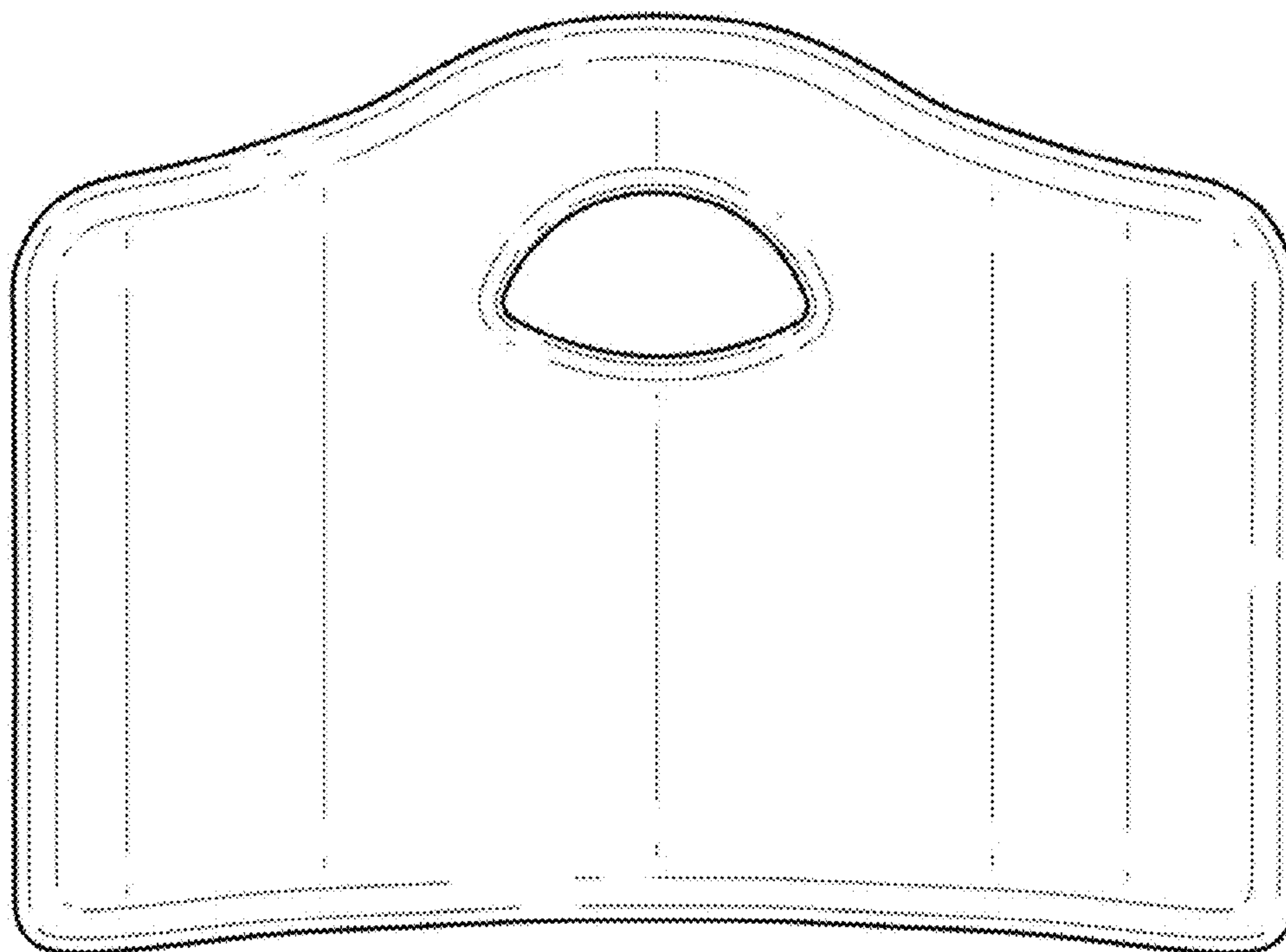


FIG. 2

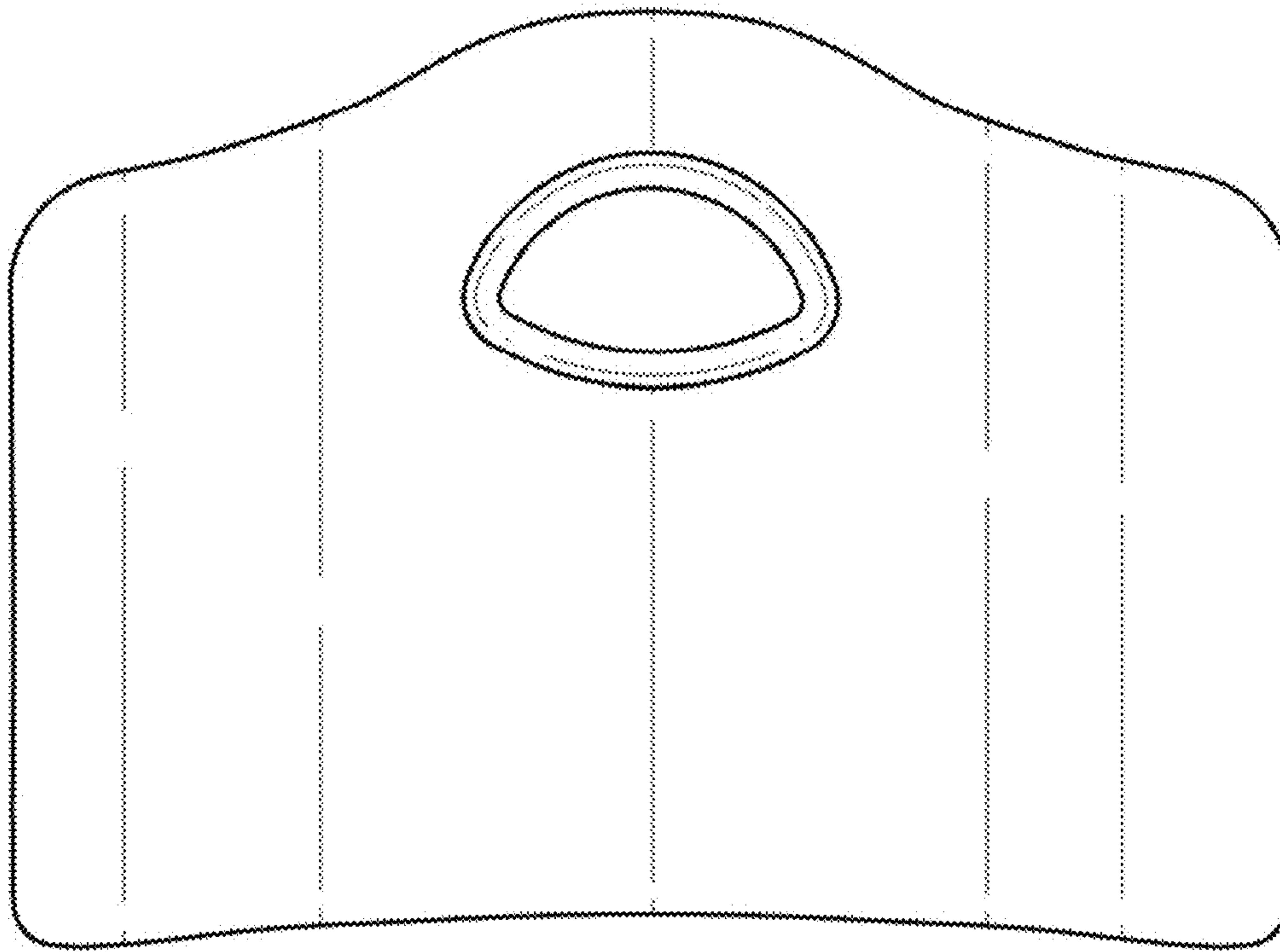


FIG. 3

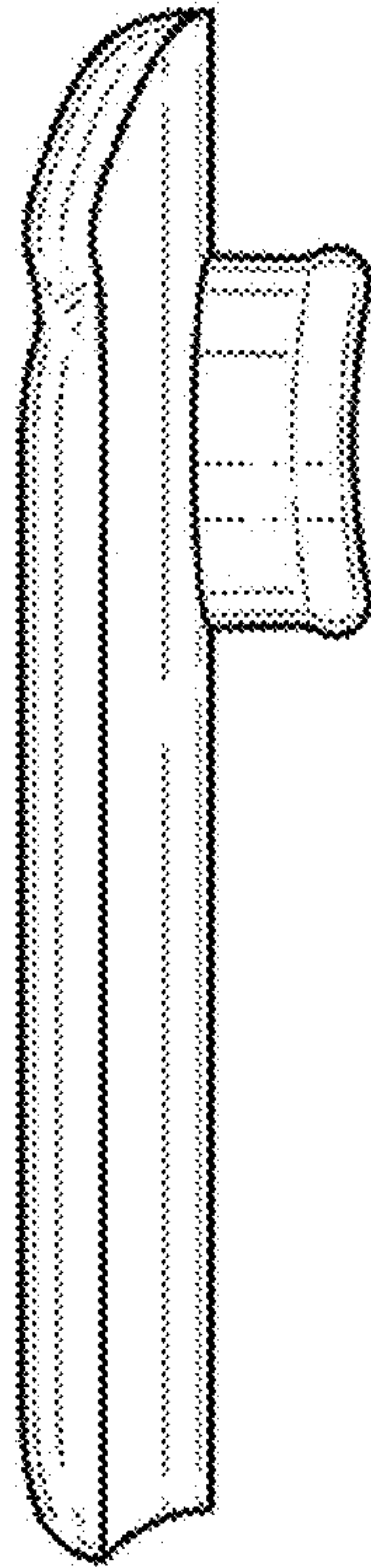


FIG. 4

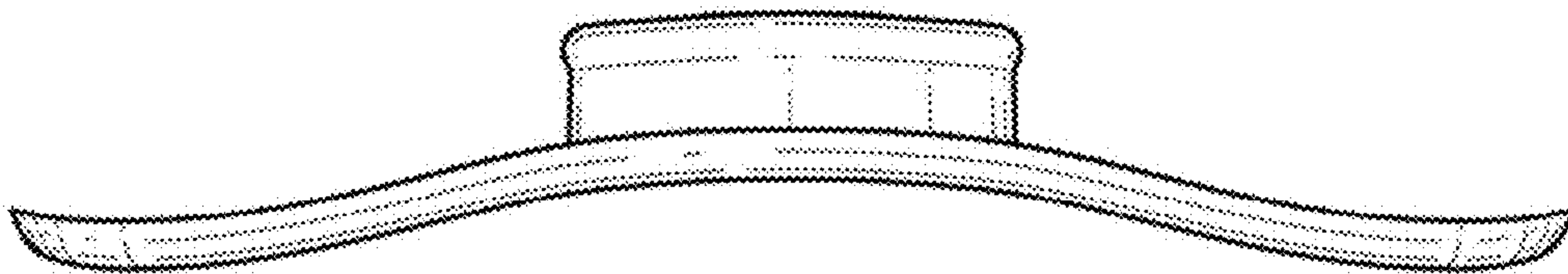


FIG. 5

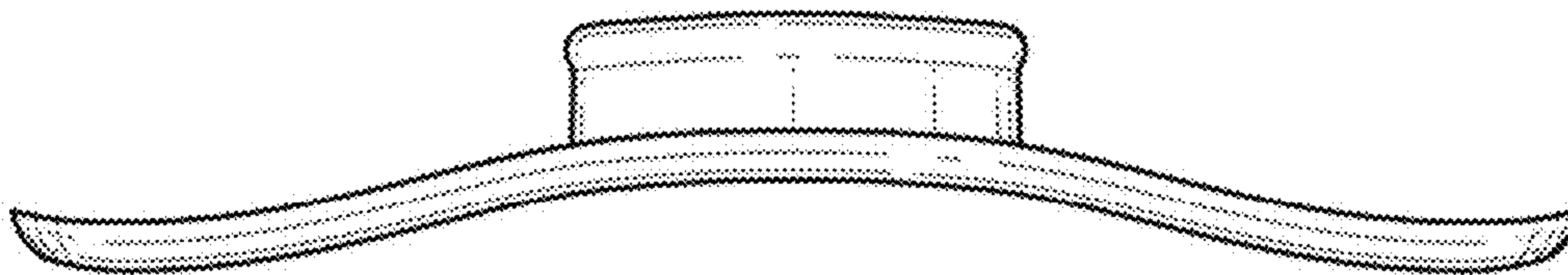


FIG. 6