



US00D780497S

(12) **United States Design Patent**
Kawai

(10) **Patent No.:** **US D780,497 S**
(45) **Date of Patent:** **** Mar. 7, 2017**

(54) **STADIUM SEAT**

- (71) Applicant: **DIC Corporation**, Tokyo (JP)
- (72) Inventor: **Toru Kawai**, Sendai (JP)
- (73) Assignee: **DIC CORPORATION**, Tokyo (JP)
- (**) Term: **14 Years**

(21) Appl. No.: **29/520,349**

(22) Filed: **Mar. 13, 2015**

(30) **Foreign Application Priority Data**

Sep. 18, 2014 (JP) D2014-020602

(51) **LOC (10) Cl.** **06-04**

(52) **U.S. Cl.**
USPC **D6/716.3**

(58) **Field of Classification Search**

USPC D6/356, 364–368, 369, 406.6, 374, 375,
D6/380, 716.4; 297/183.6, 195.11,
297/452.24, 452.26, 452.28,
297/452.32–452.33, 452.37; D7/600.4;
7/109; 126/25 A, 25 R, 9; 99/419
CPC A47C 7/02; A47C 7/44; A47C 7/46; A47C
7/48; A47C 7/54; A47C 7/386; A47C
7/462; A47C 1/10; A47C 1/031; B60N
2/02; B60N 2/22; B60N 2/44

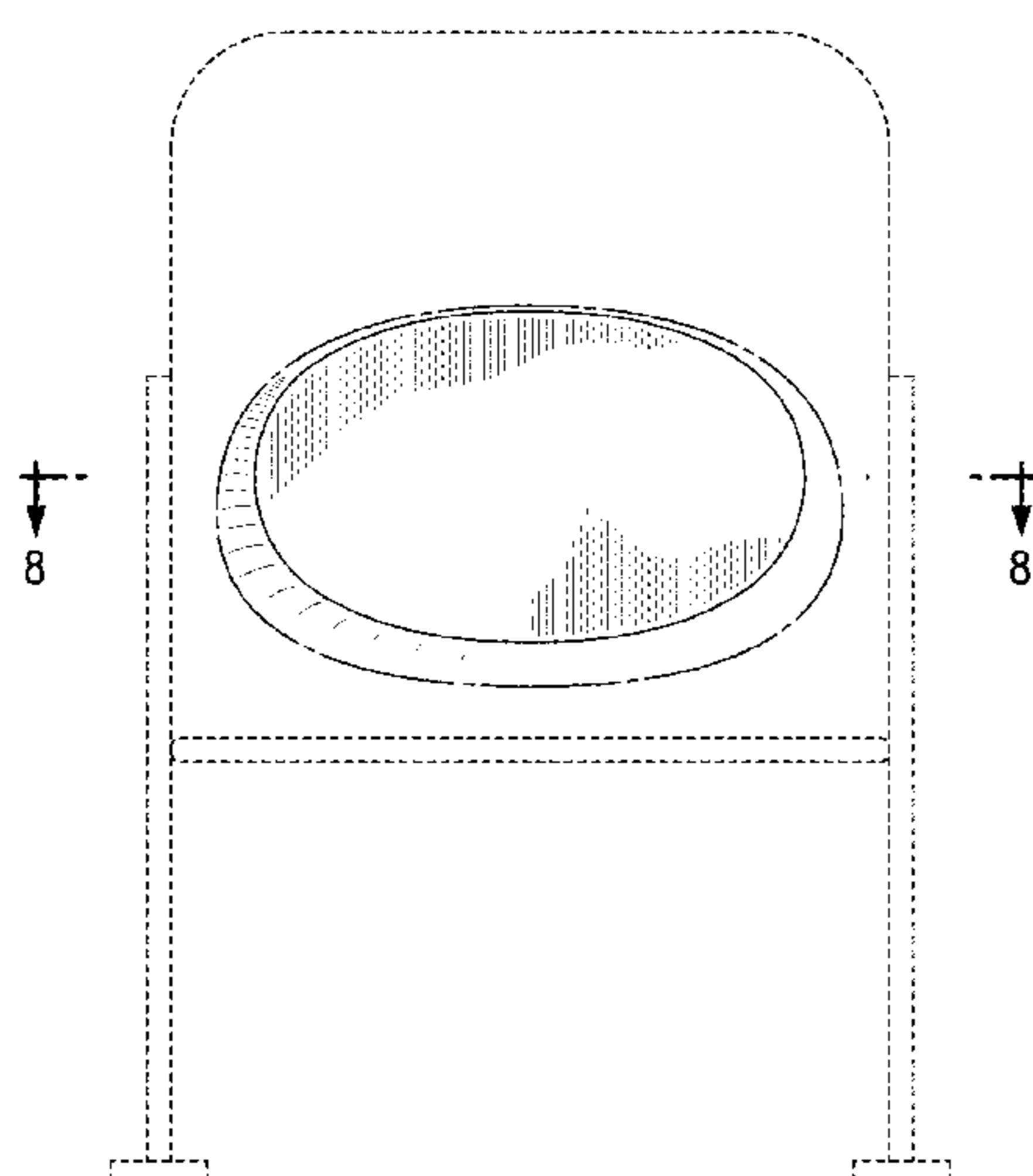
See application file for complete search history.

(56) **References Cited**

U.S. PATENT DOCUMENTS

- 2,634,674 A * 4/1953 Irwin A47J 37/041
99/419
- D172,218 S 5/1954 Burst
- 2,994,315 A * 8/1961 Bussing A47J 37/0763
126/25 A

(Continued)



OTHER PUBLICATIONS

United States Patent and Trademark Office, Office Action in U.S. Appl. No. 29/520,355, mailed Nov. 17, 2016.

Primary Examiner — Manpreet Matharu

Assistant Examiner — Keith Wilson

(74) *Attorney, Agent, or Firm* — Leydig, Voit & Mayer

(57) **CLAIM**

The ornamental design for a stadium seat, as shown and described.

DESCRIPTION

FIG. 1 is a front view of a stadium seat of the present invention.

FIG. 2 is a rear view of the stadium seat of FIG. 1.

FIG. 3 is a top plan view of the stadium seat of FIG. 1.

FIG. 4 is a bottom view of the stadium seat of FIG. 1.

FIG. 5 is a right side view of the stadium seat of FIG. 1.

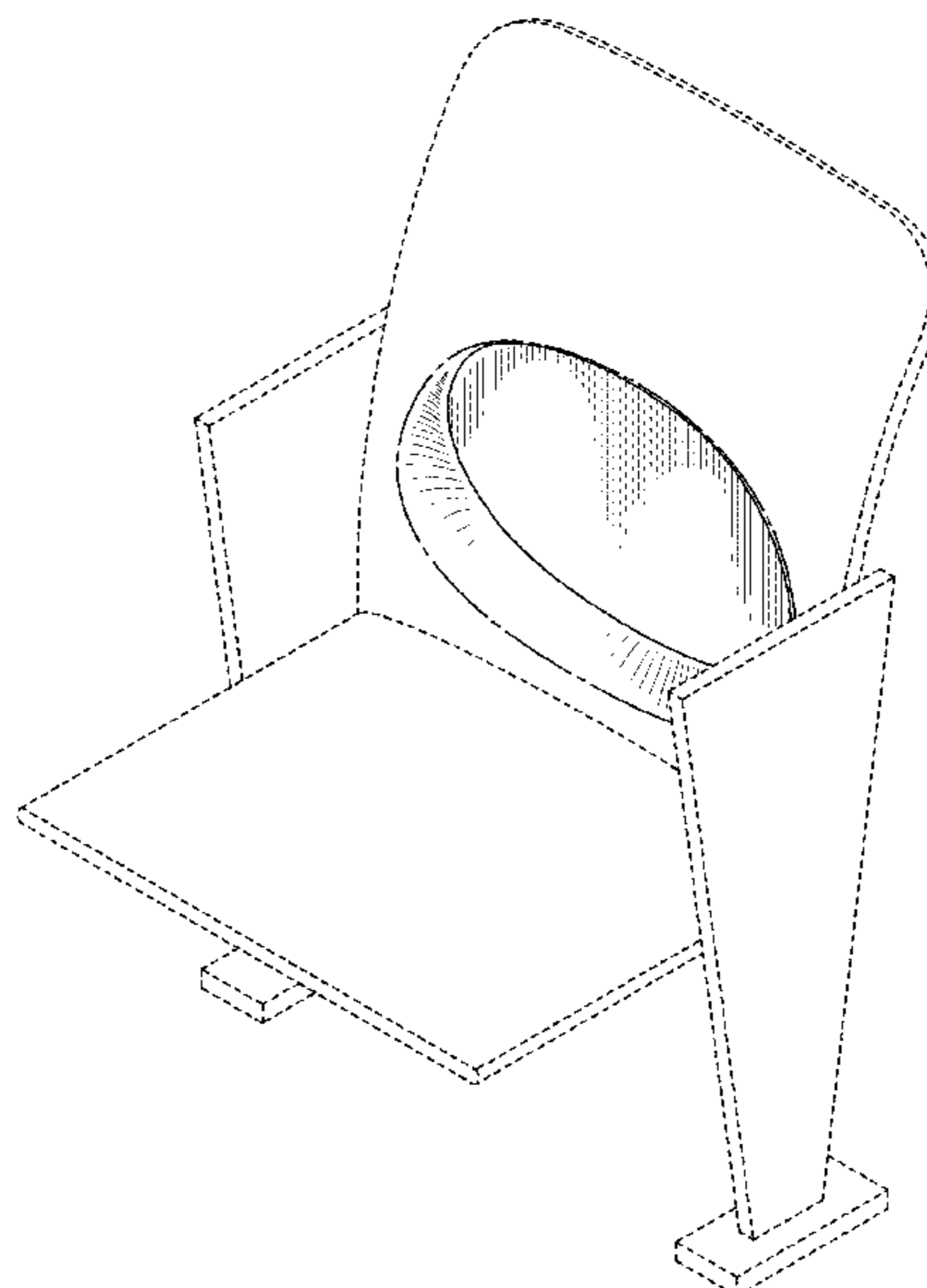
FIG. 6 is a left side view of the stadium seat of FIG. 1.

FIG. 7 is a front perspective view of the stadium seat of FIG. 1.

FIG. 8 is an enlarged sectional view in the direction indicated by the arrows 8-8 of the stadium seat of FIG. 1; and, FIG. 9 is an enlarged sectional view of the 9'-9' portion in the direction indicated by the arrows 9-9 of the stadium seat of FIG. 3.

The features shown in dotted lines depict environmental subject matter only and form no part of the claimed design. The broken lines having alternating long and short segments define bounds of the claimed design and form no part thereof.

1 Claim, 9 Drawing Sheets



(56)

References Cited

U.S. PATENT DOCUMENTS

D272,587	S	2/1984	Pamberg	
D278,196	S *	4/1985	Koves	D6/675.2
D280,788	S *	10/1985	Levin	D6/406.6
4,953,473	A *	9/1990	Tomaka	A47B 23/001
				108/127
D427,820	S	7/2000	Chen	
D488,632	S	4/2004	Muller	
D489,193	S	5/2004	Muller	
D505,034	S	5/2005	Barry	
D579,237	S *	10/2008	Gusdorf	D6/675.2
D587,492	S *	3/2009	Gusdorf	D6/675.5
D620,729	S *	8/2010	Snider	D6/675.2
D646,095	S	10/2011	Langbord et al.	
D646,096	S	10/2011	Langbord et al.	
D646,097	S	10/2011	Langbord et al.	
D676,690	S	2/2013	Pheasant	
D690,966	S *	10/2013	Goodman	D6/675.5
D719,383	S *	12/2014	Goodman	D6/675.5
D723,309	S *	3/2015	Goodman	D6/675.5
D734,966	S *	7/2015	Greenspon	D6/675.2
D737,088	S	8/2015	Kawai	
D742,665	S *	11/2015	Goodman	D6/675.5
D747,629	S *	1/2016	Goodman	D7/600.4
9,339,145	B1 *	5/2016	Owczarzak	A47J 37/0786
2005/0257693	A1 *	11/2005	Tschetter	A47J 43/18
				99/419
2011/0271949	A1 *	11/2011	Ortner	A47J 37/0704
				126/25 R
2013/0055506	A1 *	3/2013	Greer	A47J 45/10
				7/109
2016/0227965	A1 *	8/2016	Johnston	A47J 37/0763

* cited by examiner

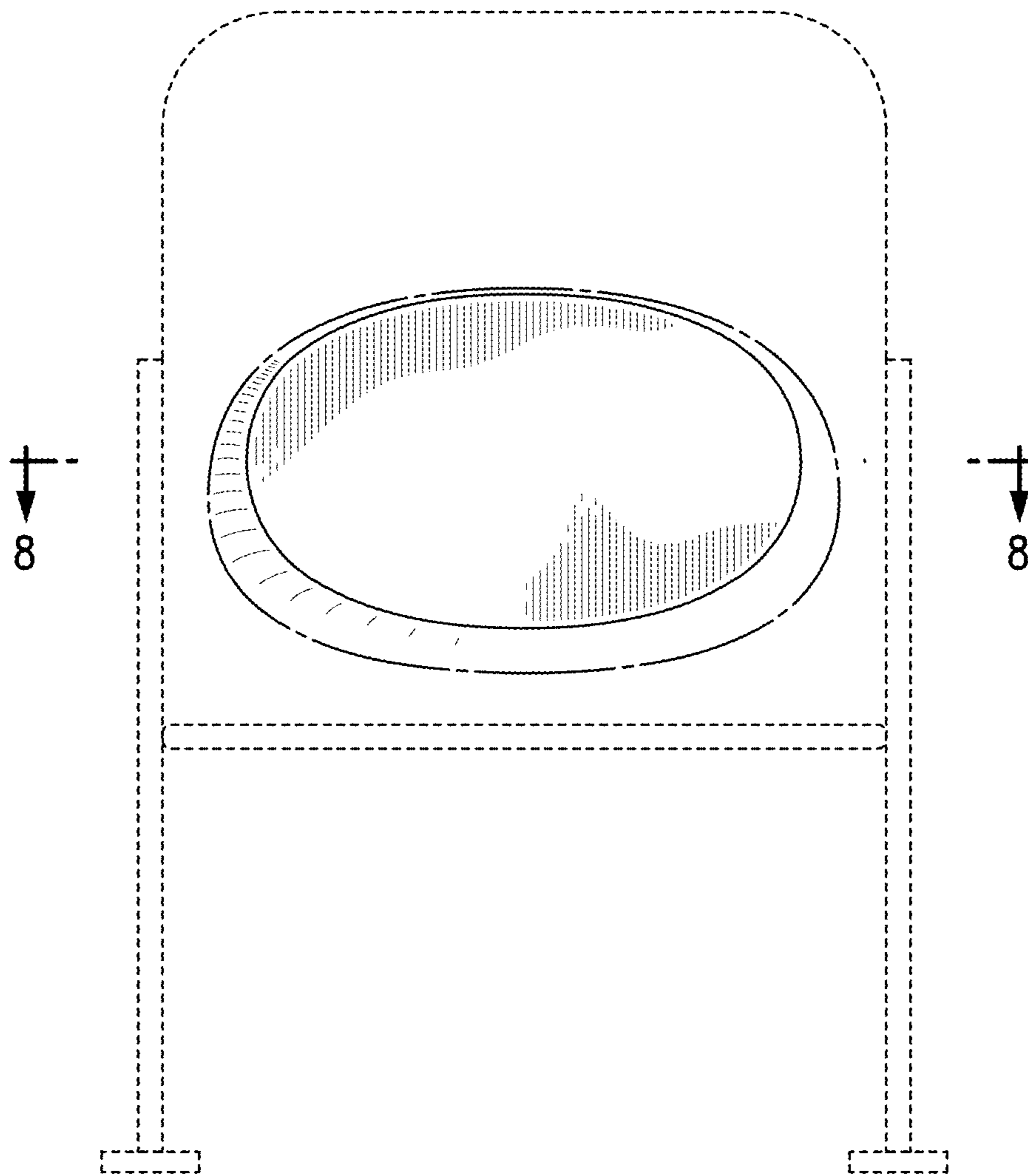


FIG. 1

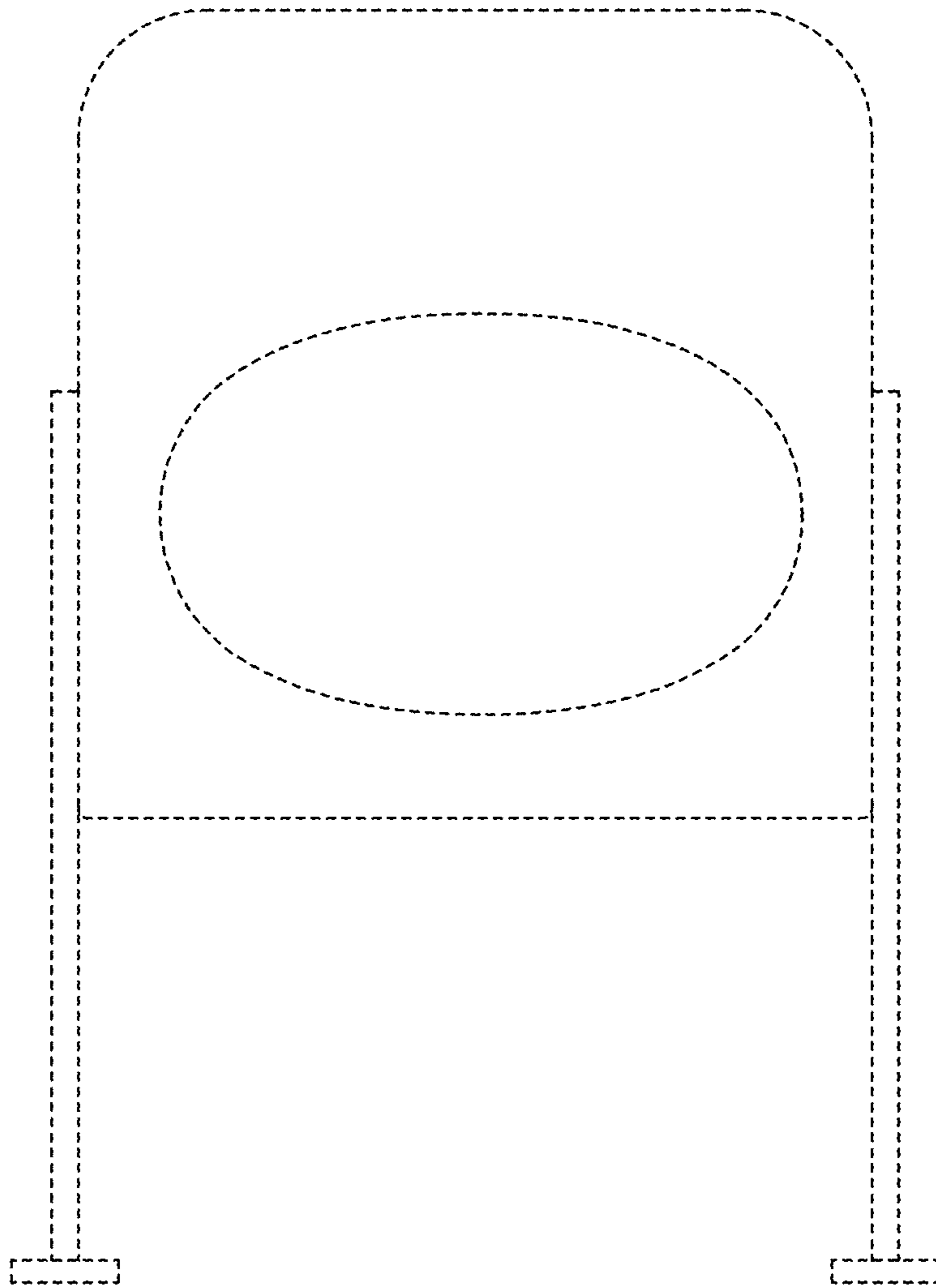


FIG. 2

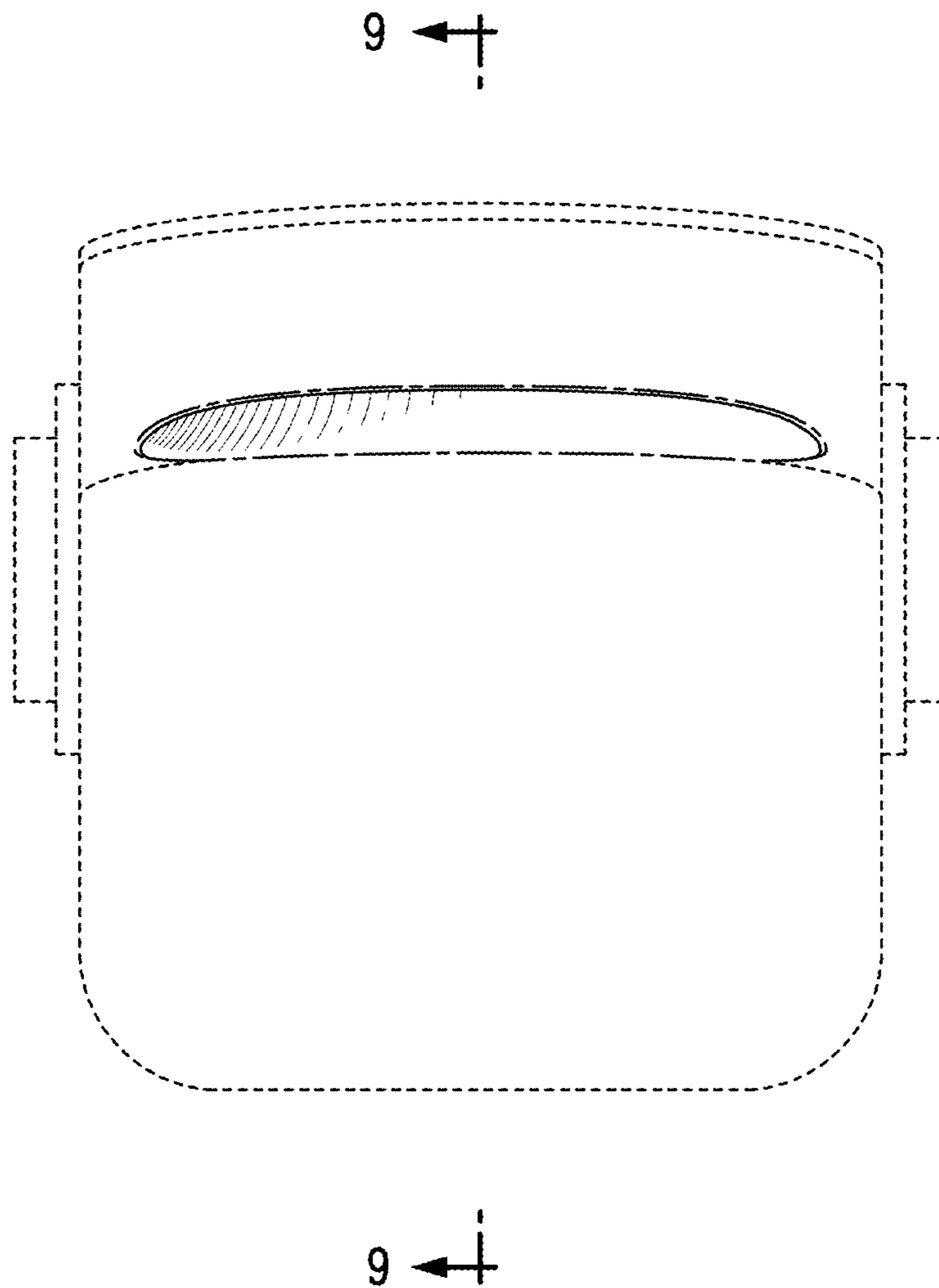


FIG. 3

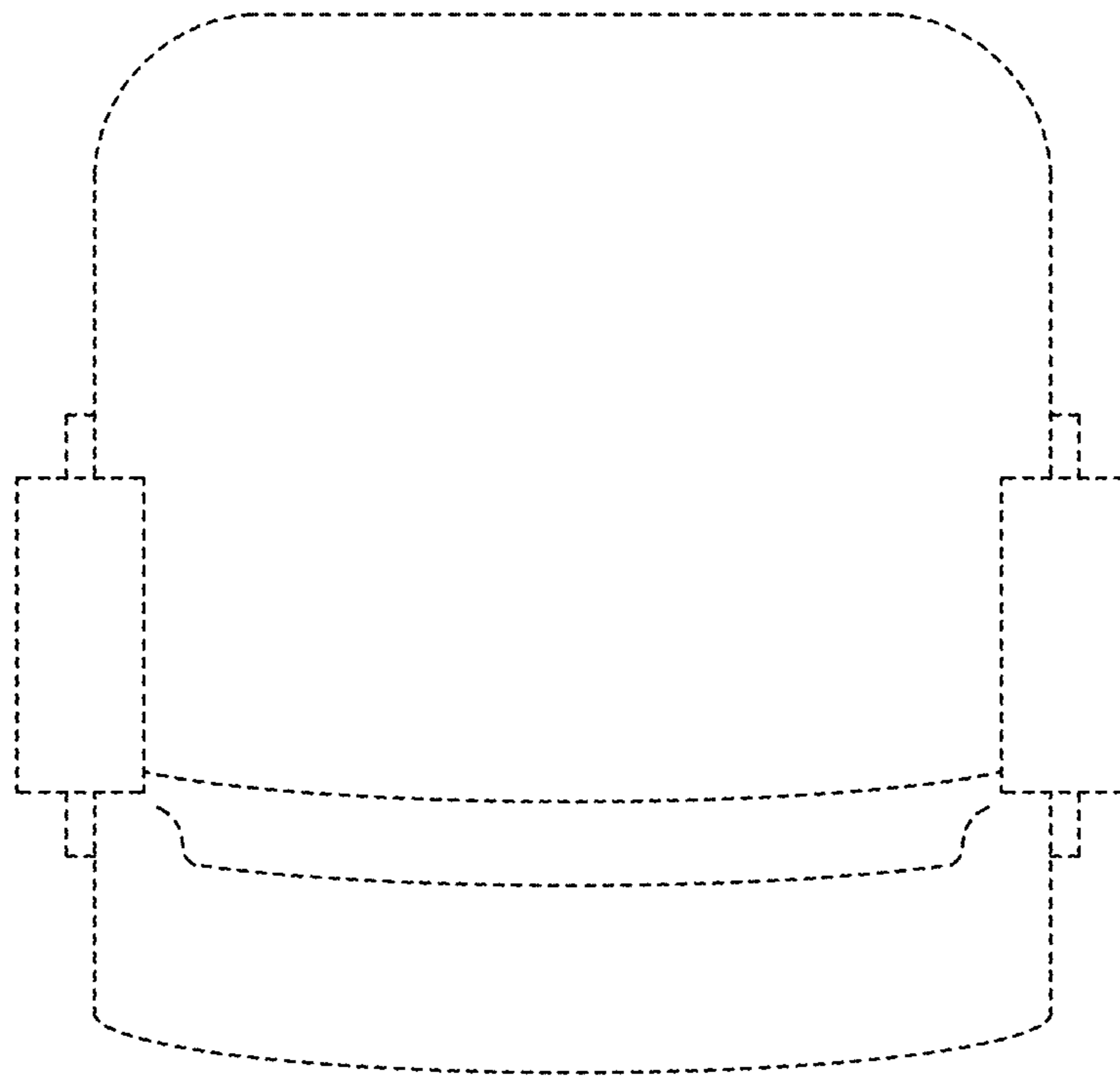


FIG. 4

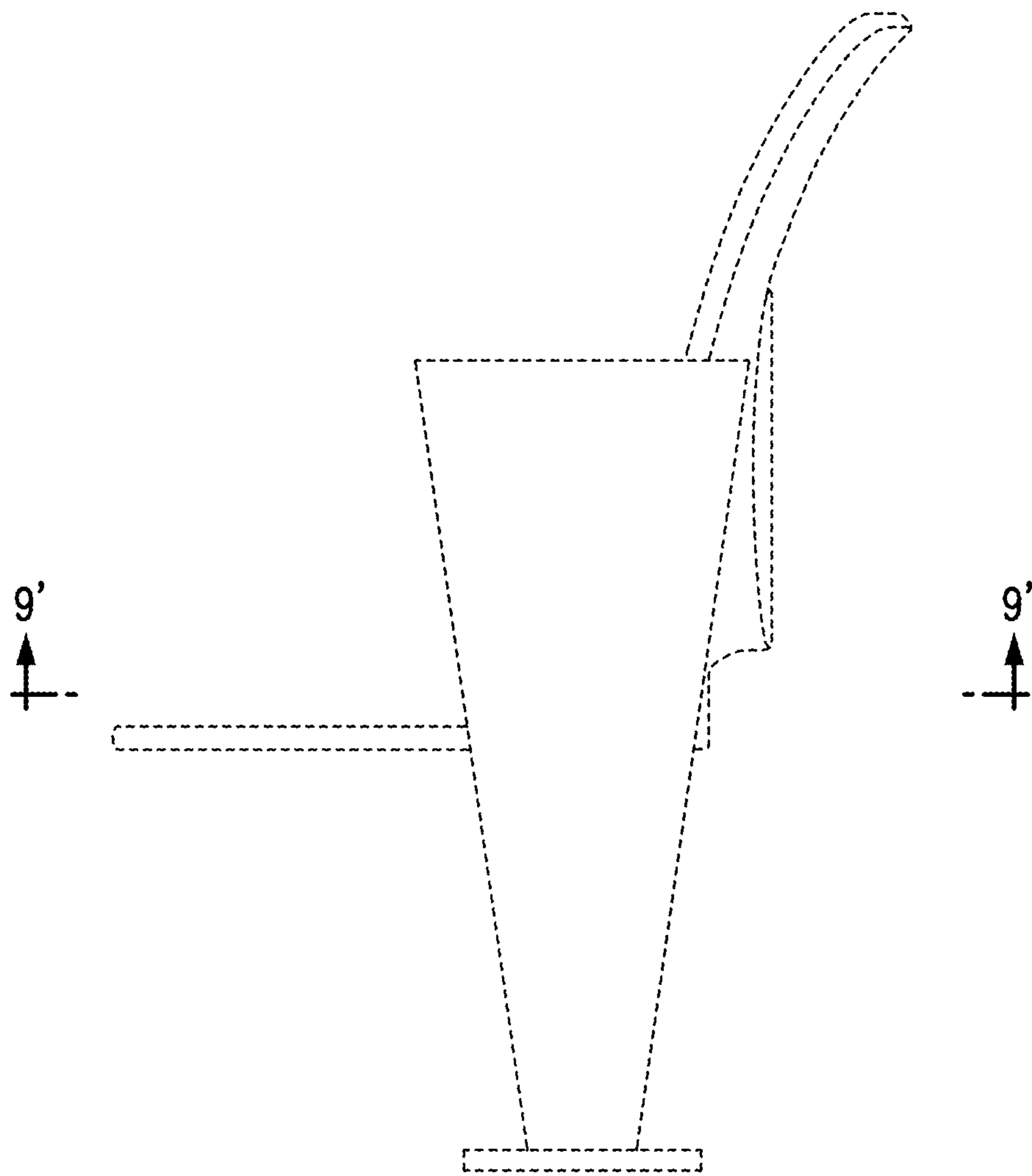


FIG. 5

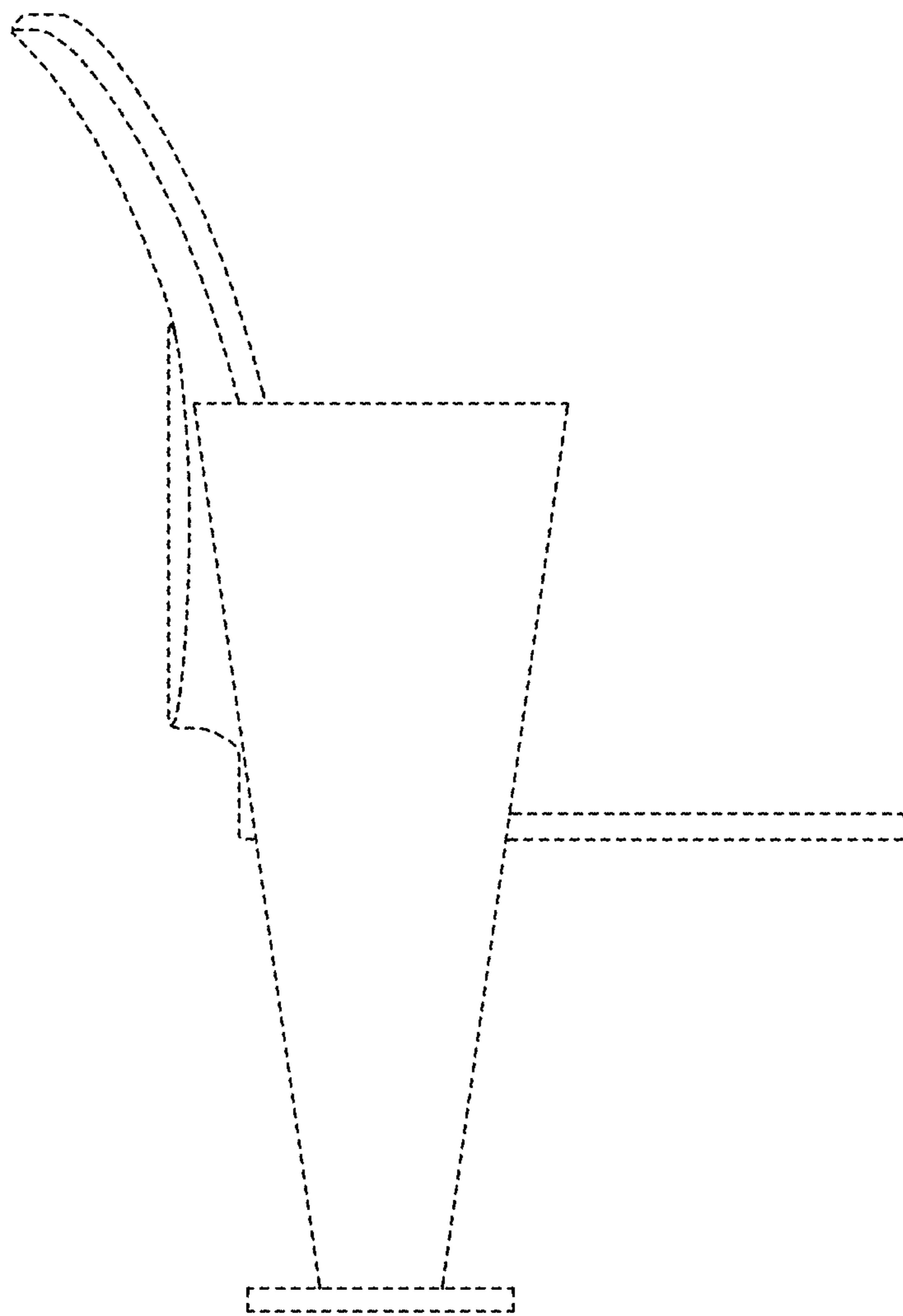


FIG. 6

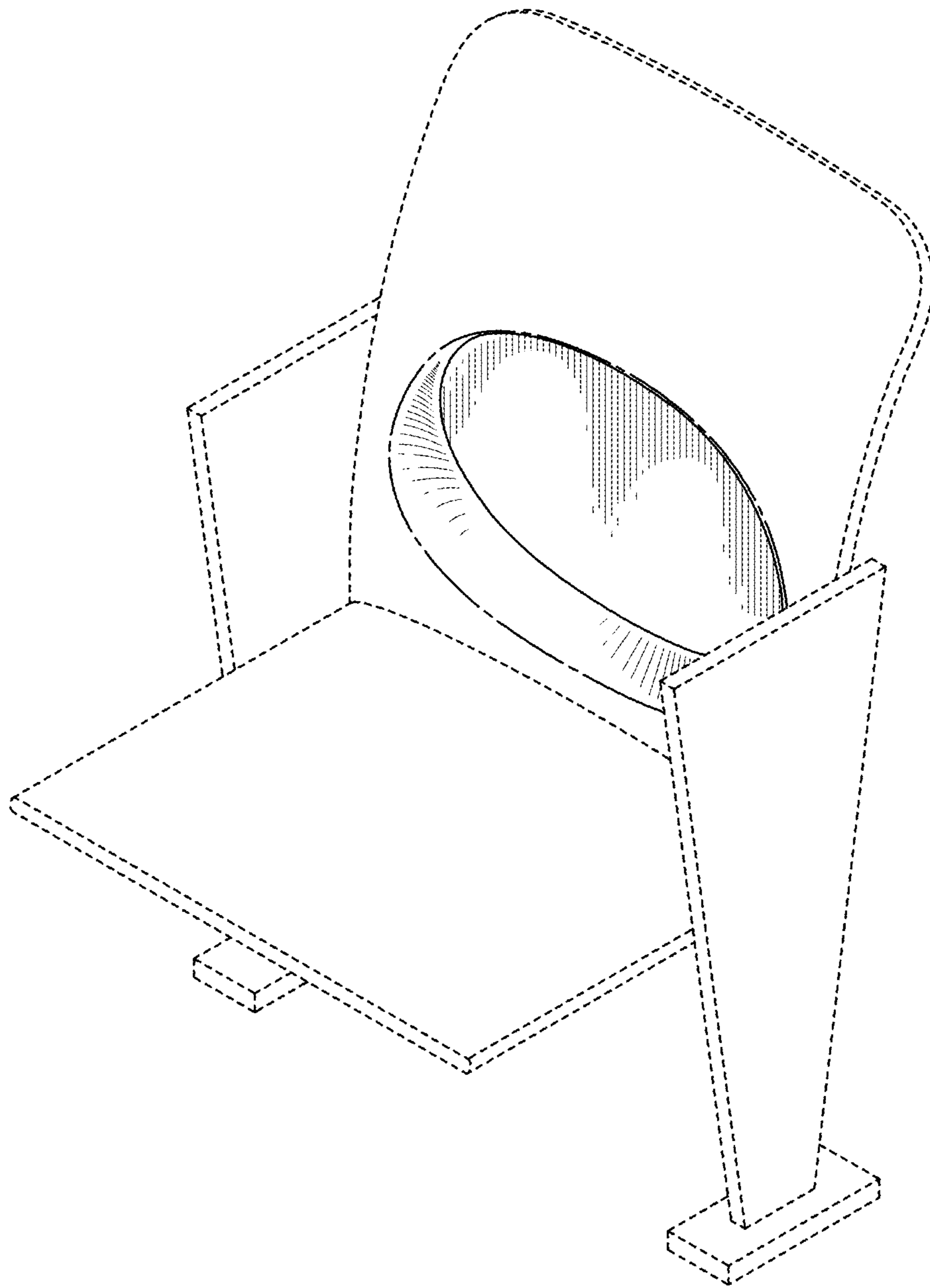


FIG. 7

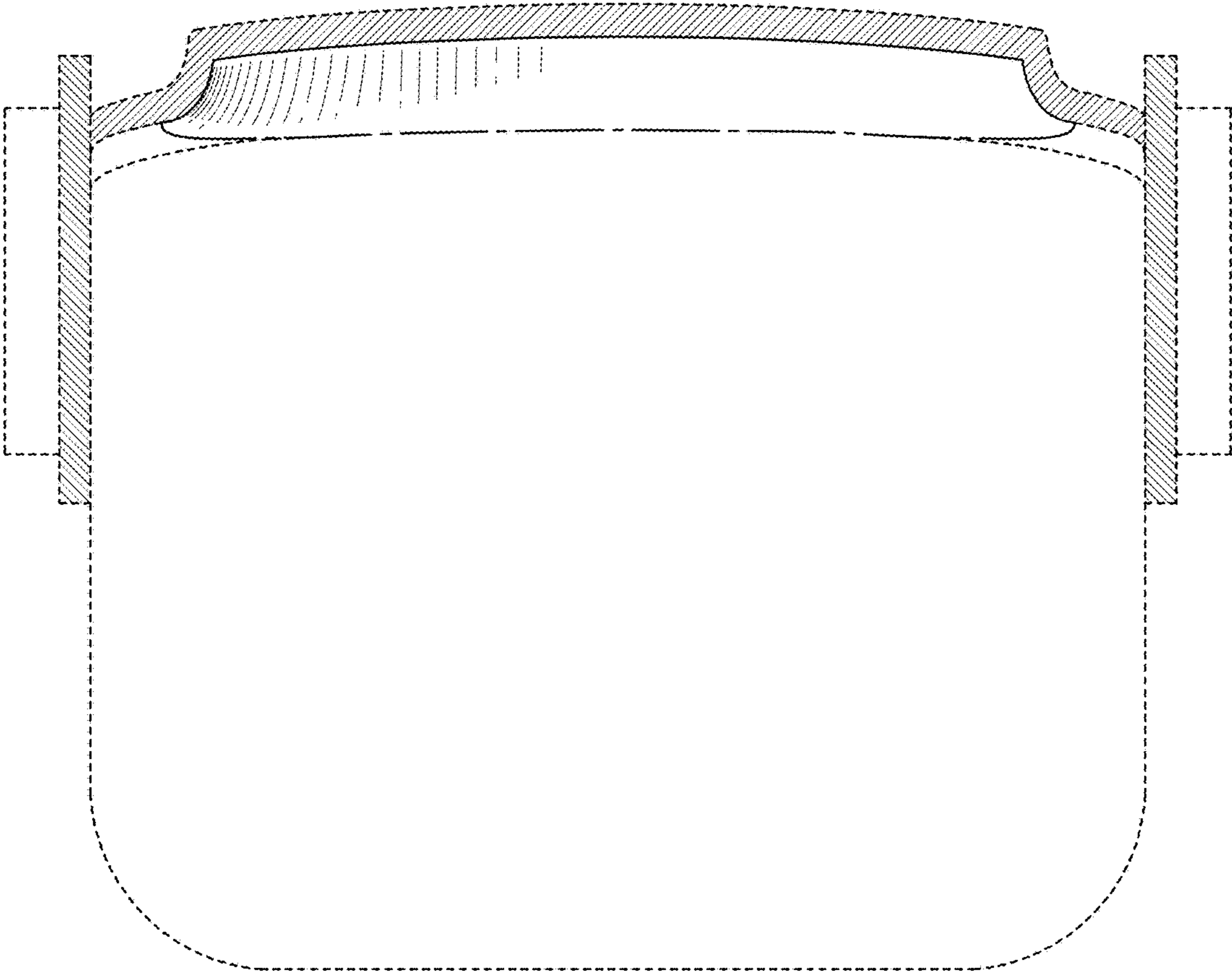


FIG. 8

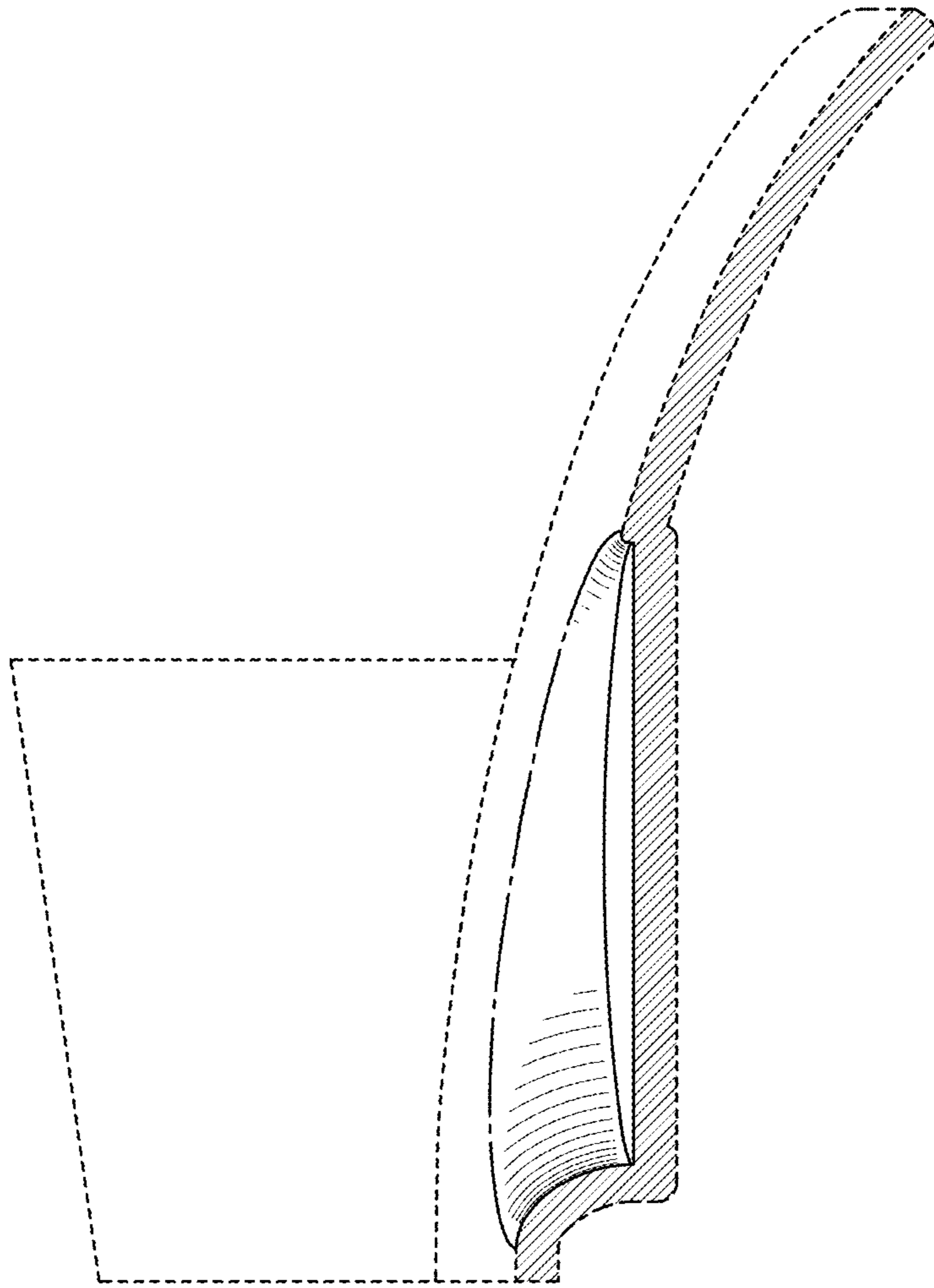


FIG. 9