



US00D780496S

(12) **United States Design Patent** (10) **Patent No.:** **US D780,496 S**
Stoter (45) **Date of Patent:** **** Mar. 7, 2017**

(54) **SWIVEL LOUNGER**
(71) Applicant: **VIVERE LTD.**, Guelph (CA)
(72) Inventor: **Jason Stoter**, Guelph (CA)
(73) Assignee: **VIVERE LTD.**, Guelph (CA)
(**) Term: **15 Years**

D548,472 S 8/2007 Habing et al.
D550,987 S * 9/2007 Brevda D6/708.23
D660,608 S 5/2012 Hasman
D699,453 S 2/2014 Weng
D705,552 S 5/2014 Zheng
D705,553 S 5/2014 Zheng
D734,046 S 7/2015 Shen et al.
D734,619 S 7/2015 Pan
D734,620 S 7/2015 Fang
D766,001 S * 9/2016 Stoter D6/347

(21) Appl. No.: **29/572,661**
(22) Filed: **Jul. 29, 2016**

OTHER PUBLICATIONS

Vivere, Original Dream Chair (2013).

* cited by examiner

Primary Examiner — Mimosa De
(74) *Attorney, Agent, or Firm* — Hodgson Russ LLP

Related U.S. Application Data

(62) Division of application No. 29/525,125, filed on Apr. 27, 2015, now Pat. No. Des. 766,001.
(51) **LOC (10) Cl.** **06-01**
(52) **U.S. Cl.**
USPC **D6/708.16**; D6/347
(58) **Field of Classification Search**
USPC D6/334–336, 347, 348, 369, 370, 375,
D6/376, 708.16, 708.23, 716, 716.1,
D6/716.2, 716.3, 716.4
CPC A47C 5/04; A47C 3/12; A45F 3/22;
A45F 3/24; A45F 3/26; A63G
9/00; A63G 9/12; A47D 13/105
See application file for complete search history.

(57) **CLAIM**

The ornamental design for a swivel lounger, as shown and described.

DESCRIPTION

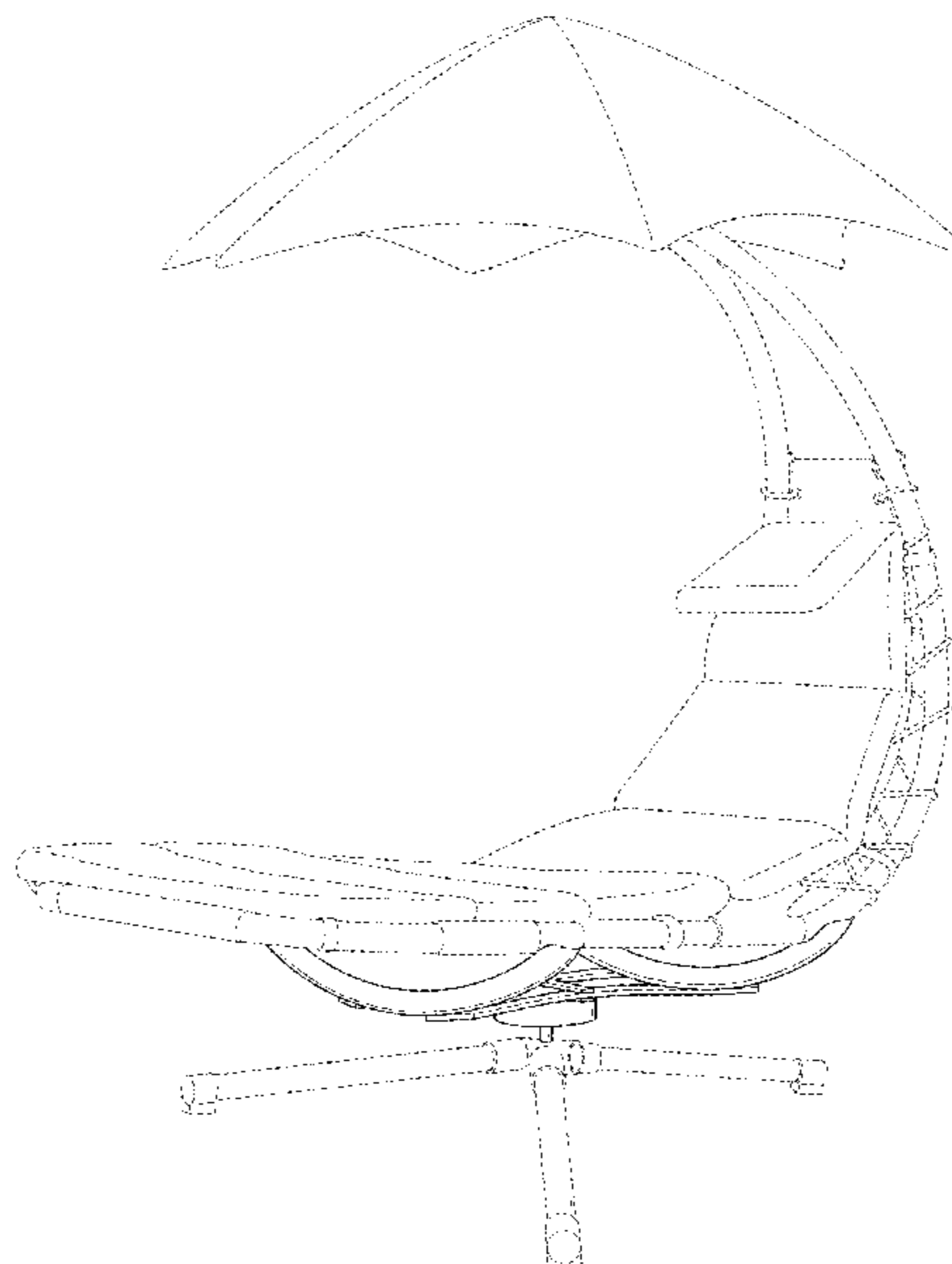
FIG. 1 is a front-right perspective view of a swivel lounger showing my new design, the front-left perspective view being mirror-symmetrical thereto;
FIG. 2 is a front-right perspective view thereof showing the lounger portion rotated relative to the base position;
FIG. 3 is a front view thereof;
FIG. 4 is a rear view thereof;
FIG. 5 is a right view thereof, the left view being mirror-symmetrical thereto;
FIG. 6 is a top view thereof; and,
FIG. 7 is a bottom view thereof.
The short dash broken lines illustrate unclaimed features that form no part of the claimed design. The long dash-short dash lines represent boundaries of the claimed design.

(56) **References Cited**

U.S. PATENT DOCUMENTS

D207,958 S * 6/1967 Jakobsen D6/708.16
3,528,657 A 9/1970 Krupsky
D230,921 S 3/1974 Bonnell
D258,252 S 2/1981 Gass
5,588,702 A 12/1996 Litwin
D450,952 S * 11/2001 Stewart D6/708.16
D470,693 S * 2/2003 Strong D6/708.16
D522,259 S 6/2006 Wu
D531,826 S 11/2006 Nutsos

1 Claim, 7 Drawing Sheets



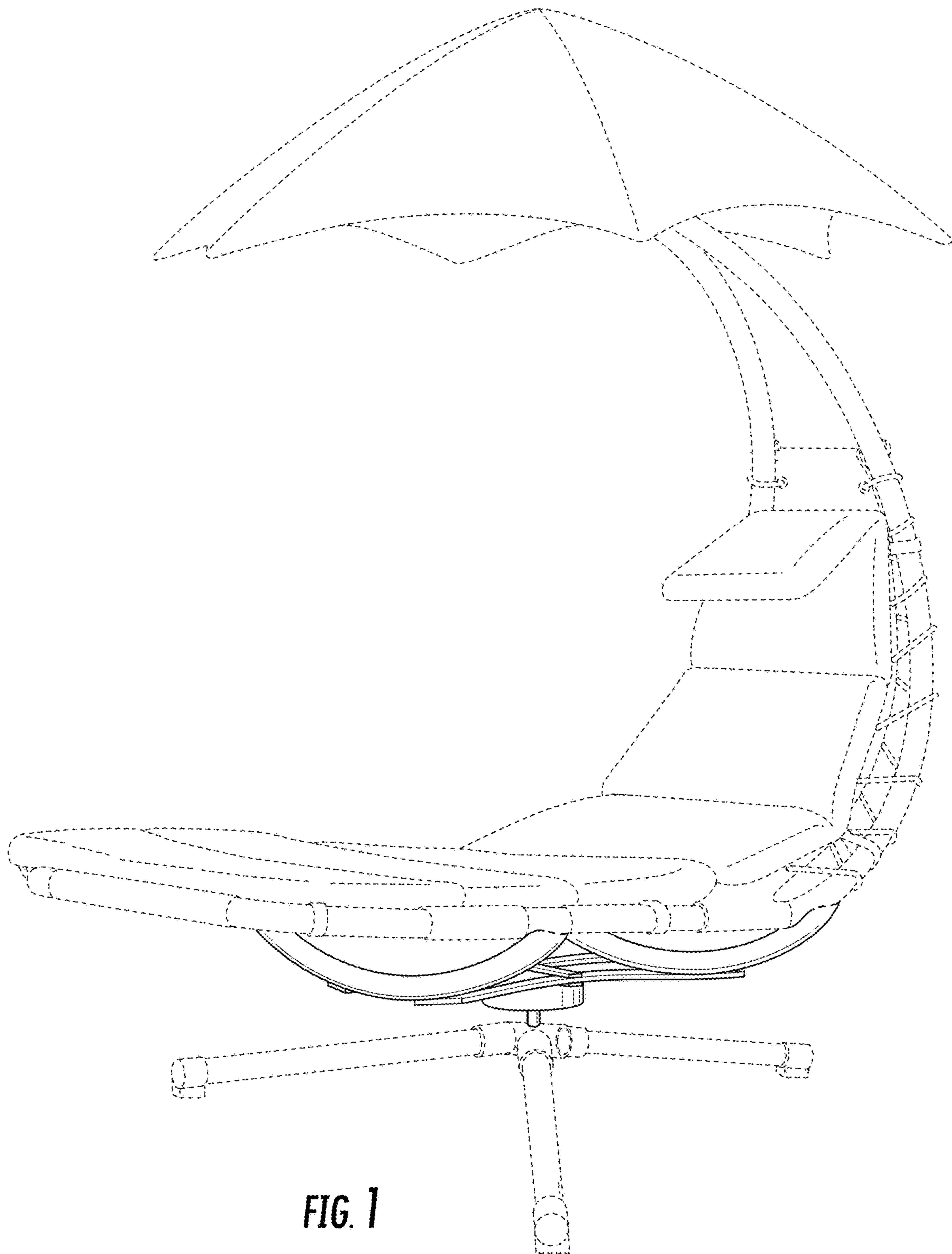


FIG. 1

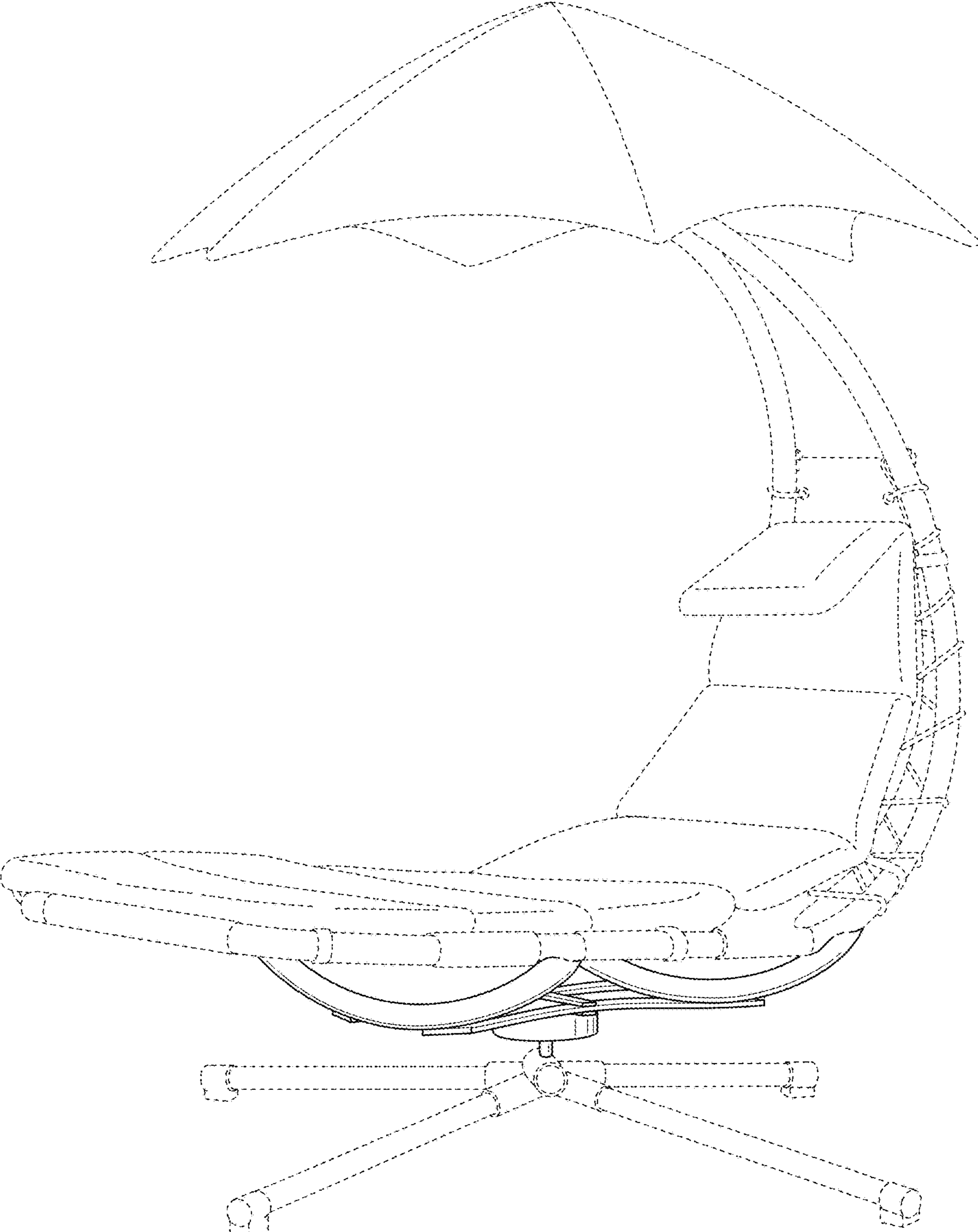


FIG. 2

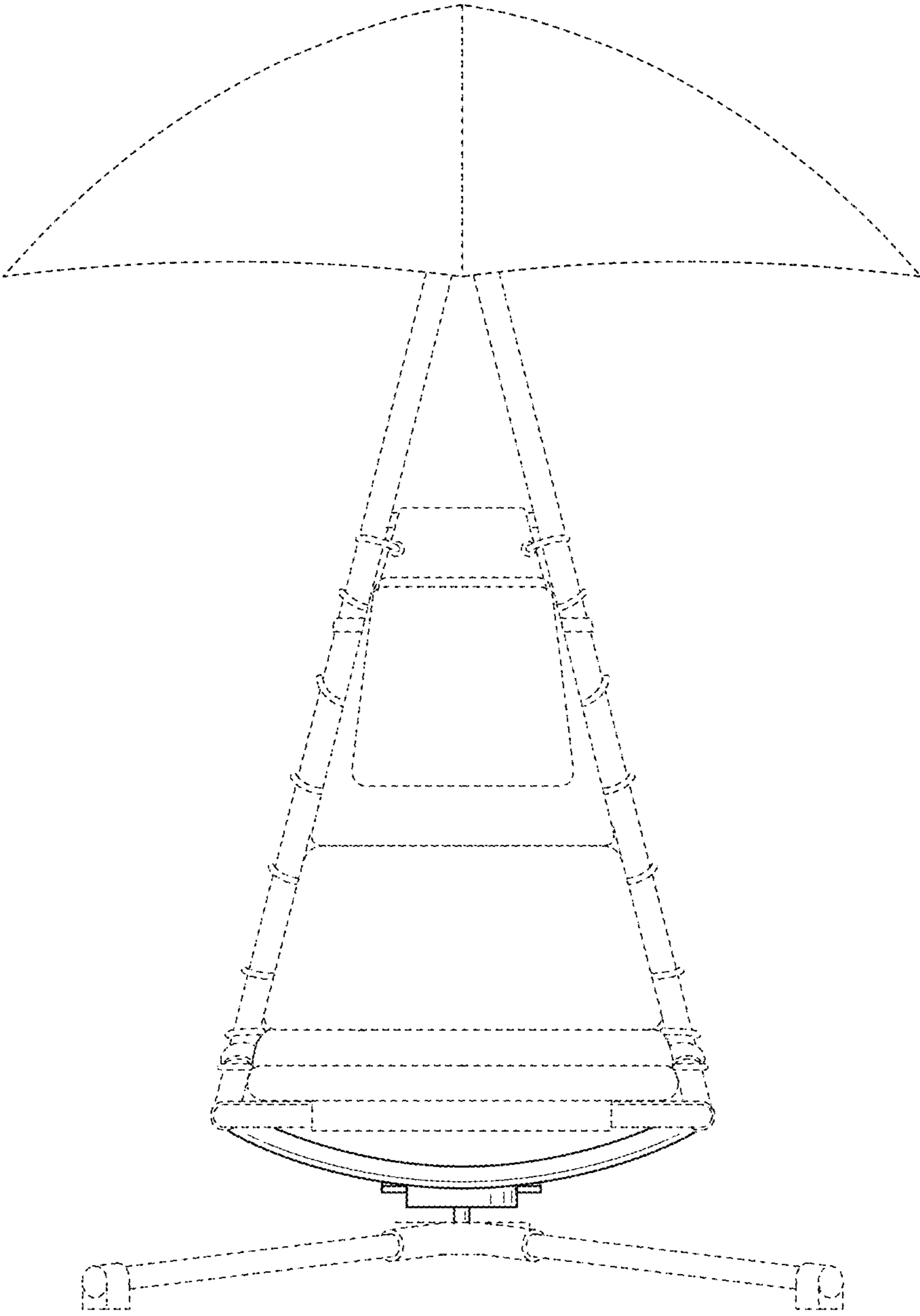


FIG. 3

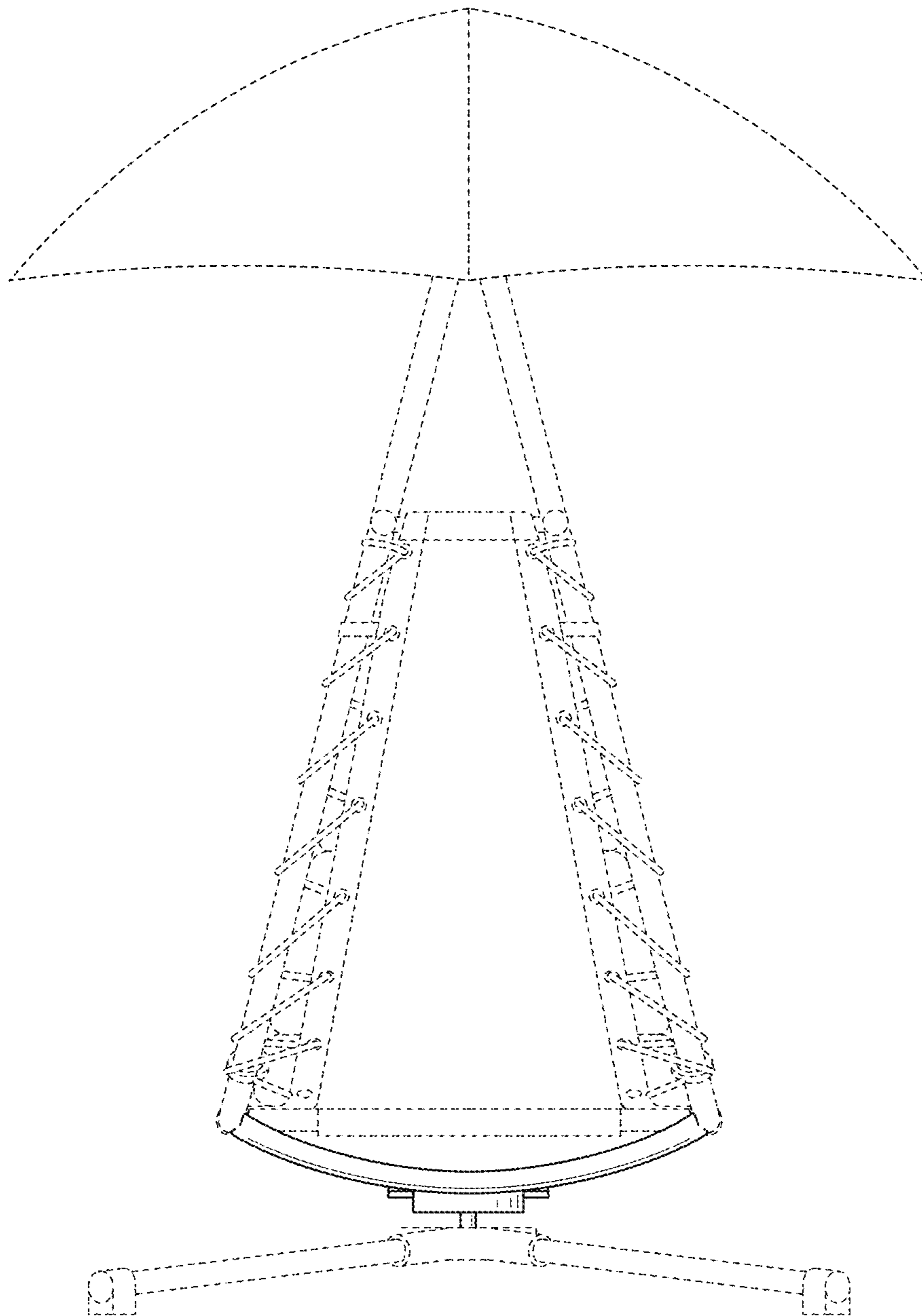


FIG. 4

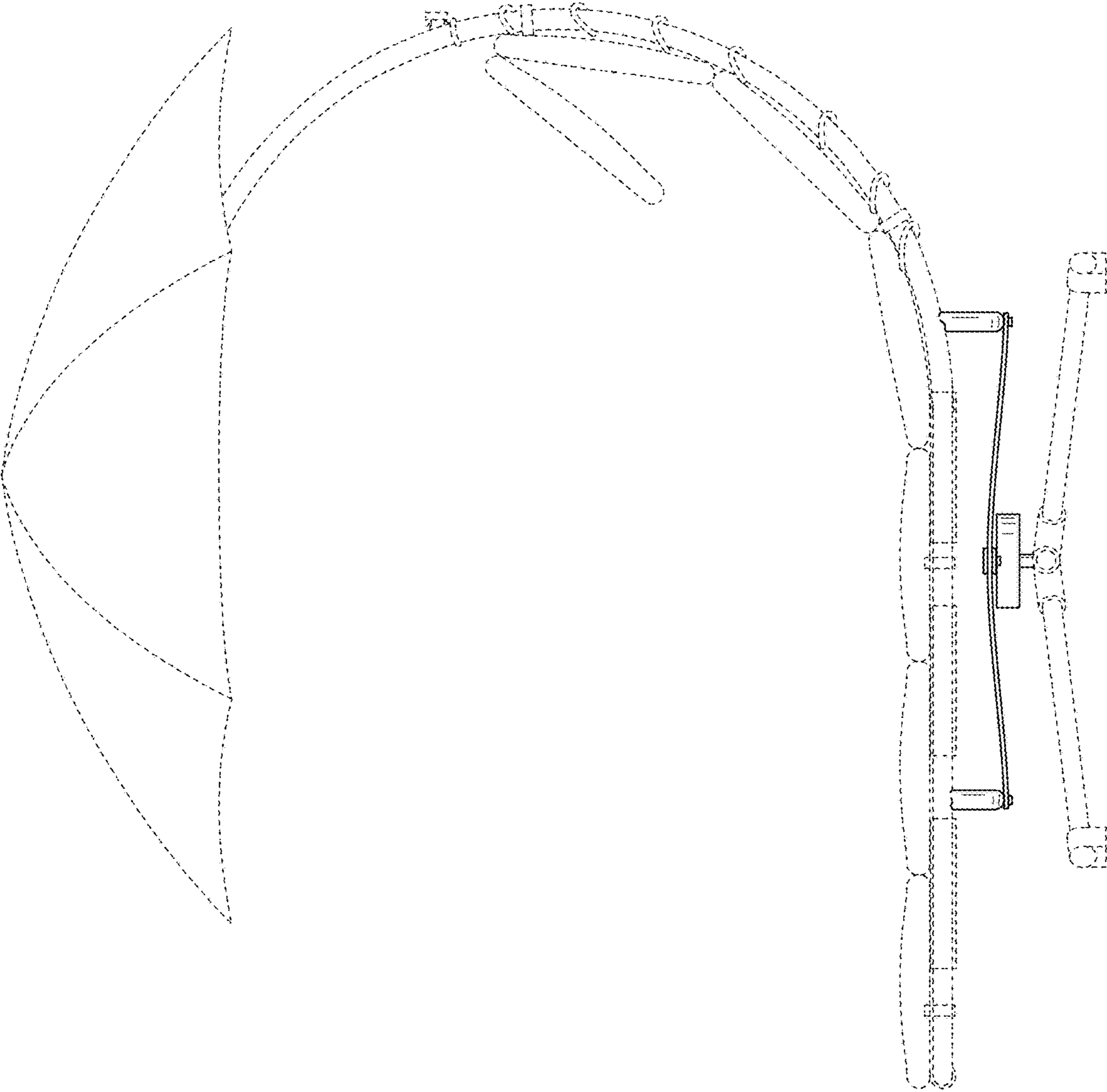


FIG. 5

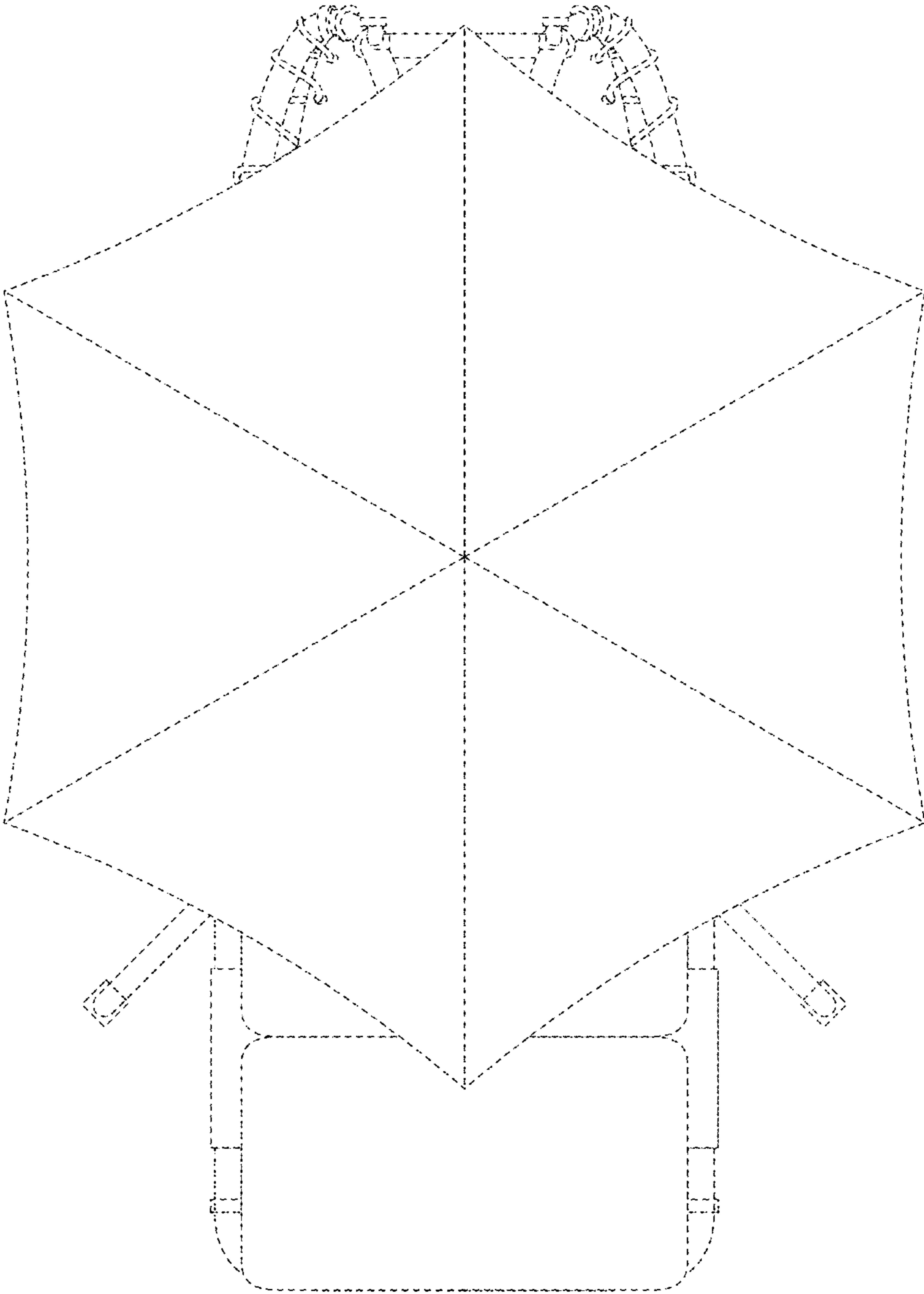


FIG. 6

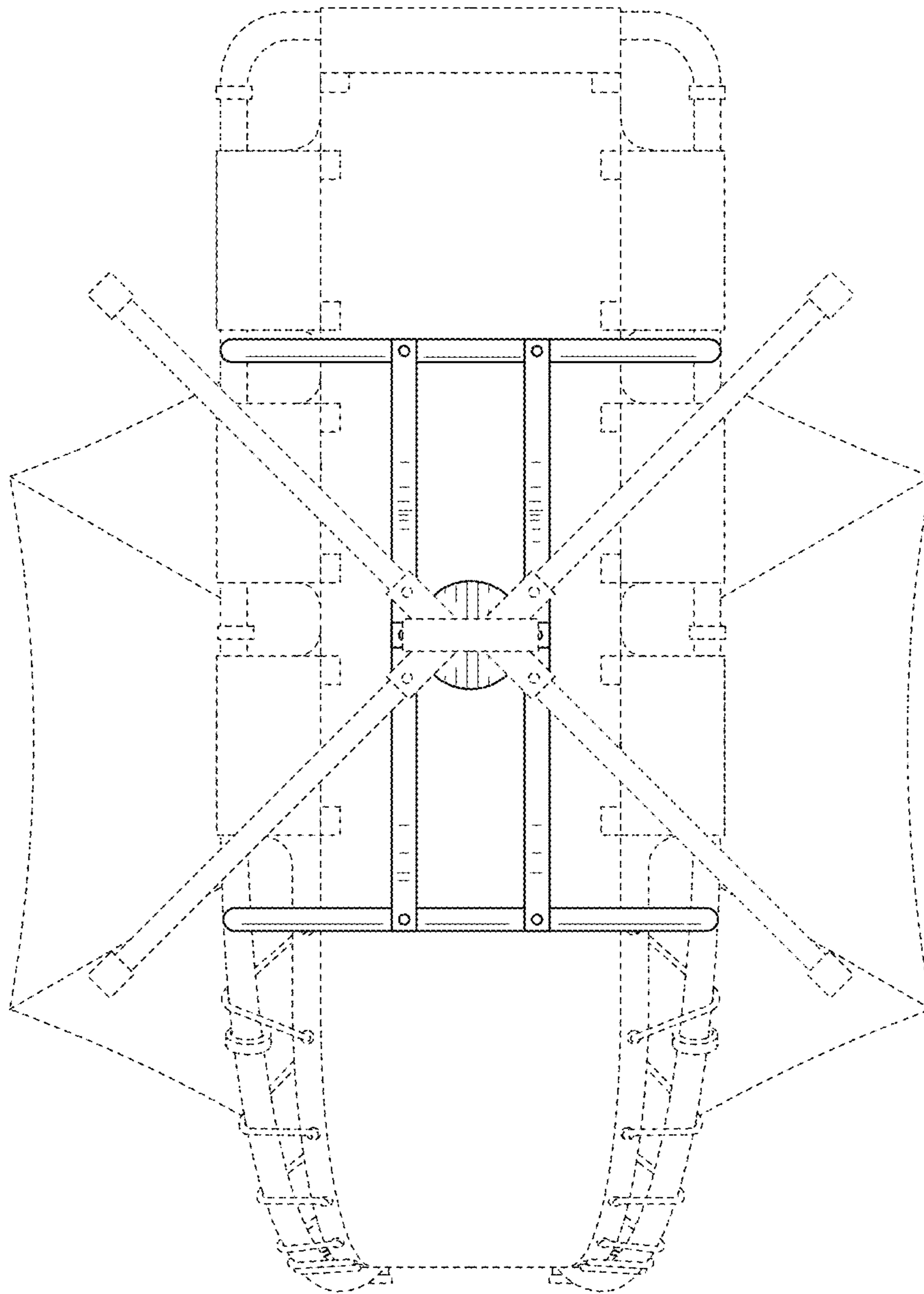


FIG. 7