



US00D780491S

(12) **United States Design Patent**
Magargee et al.

(10) **Patent No.:** **US D780,491 S**

(45) **Date of Patent:** **** Mar. 7, 2017**

(54) **STAND**

(71) Applicant: **3M INNOVATIVE PROPERTIES COMPANY**, St. Paul, MN (US)

(72) Inventors: **James K. Magargee**, New Brighton, MN (US); **Yin Chen Quintero**, St. Paul, MN (US); **David J. Prince**, St. Paul, MN (US)

(73) Assignee: **3M INNOVATIVE PROPERTIES COMPANY**, St. Paul, MN (US)

(**) Term: **15 Years**

(21) Appl. No.: **29/539,886**

(22) Filed: **Sep. 18, 2015**

(51) **LOC (10) Cl.** **06-04**

(52) **U.S. Cl.**
USPC **D6/691.8**; D6/349; D6/691

(58) **Field of Classification Search**
USPC D6/349, 406.4, 685, 689, 691, 691.3, D6/691.8, 708; D26/56; D30/161; 297/175, 181, 188.13, 188.8; 248/163.1
CPC A47B 47/0075; A47B 47/00091; A47B 45/00; A47B 65/00; A47B 65/10; A47B 67/00; A47B 81/06; A47B 96/04

See application file for complete search history.

(56) **References Cited**

U.S. PATENT DOCUMENTS

- D239,584 S * 4/1976 Vrignaud D6/691.8
- D240,186 S * 6/1976 Rosen D6/691.8
- D264,291 S * 5/1982 Haigh D6/691.8
- D315,073 S * 3/1991 Goetz D6/691
- D346,704 S * 5/1994 Grosfillex D6/349
- D359,180 S * 6/1995 Bedney D30/161
- D372,819 S * 8/1996 Maple D6/349
- D398,472 S * 9/1998 Worrell
- D404,589 S * 1/1999 Taylor D6/406.4

- D407,245 S * 3/1999 Lewis D6/691.8
- D554,395 S * 11/2007 Kreiss D6/691.1
- D678,887 S * 3/2013 Stravitz
- D710,135 S * 8/2014 Rasenberg D6/691.8
- D726,460 S * 4/2015 Arnon D6/689
- D729,558 S * 5/2015 Narbonne D6/691.8
- 2014/0175236 A1 * 6/2014 Nguyen F16B 12/46 248/163.1

FOREIGN PATENT DOCUMENTS

JP D1425026 9/2011

OTHER PUBLICATIONS

One time supplies [online] Retrieved on Sep. 26, 2016 from URL <https://www.ontimesupplies.com/mmmms85b-adjustable-monitor-stand-16-x-12-x-1-3-4-to-5-1-2-black.html>.*

* cited by examiner

Primary Examiner — Manpreet Matharu

Assistant Examiner — Keith Wilson

(74) *Attorney, Agent, or Firm* — Irina Hass

(57) **CLAIM**

The ornamental design for a stand, as shown and described.

DESCRIPTION

FIG. 1 is a perspective view showing a new design for a stand;

FIG. 2 is a front view thereof, a rear view being a mirror image thereof;

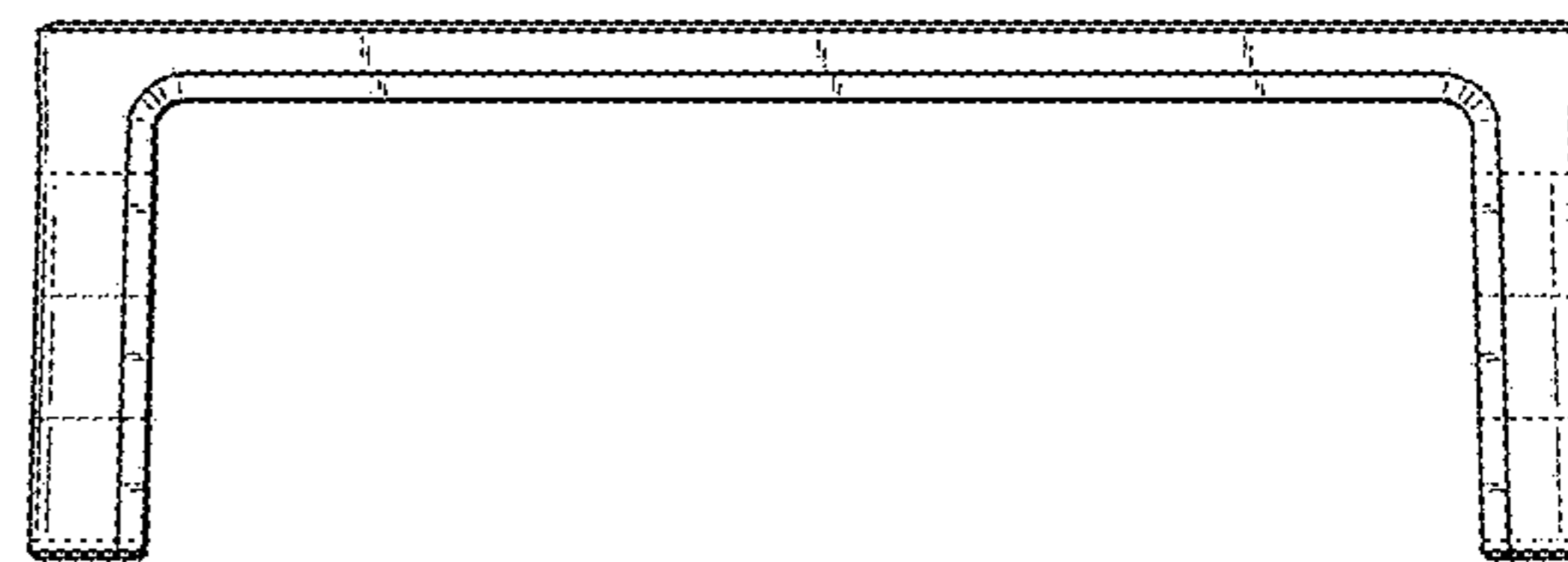
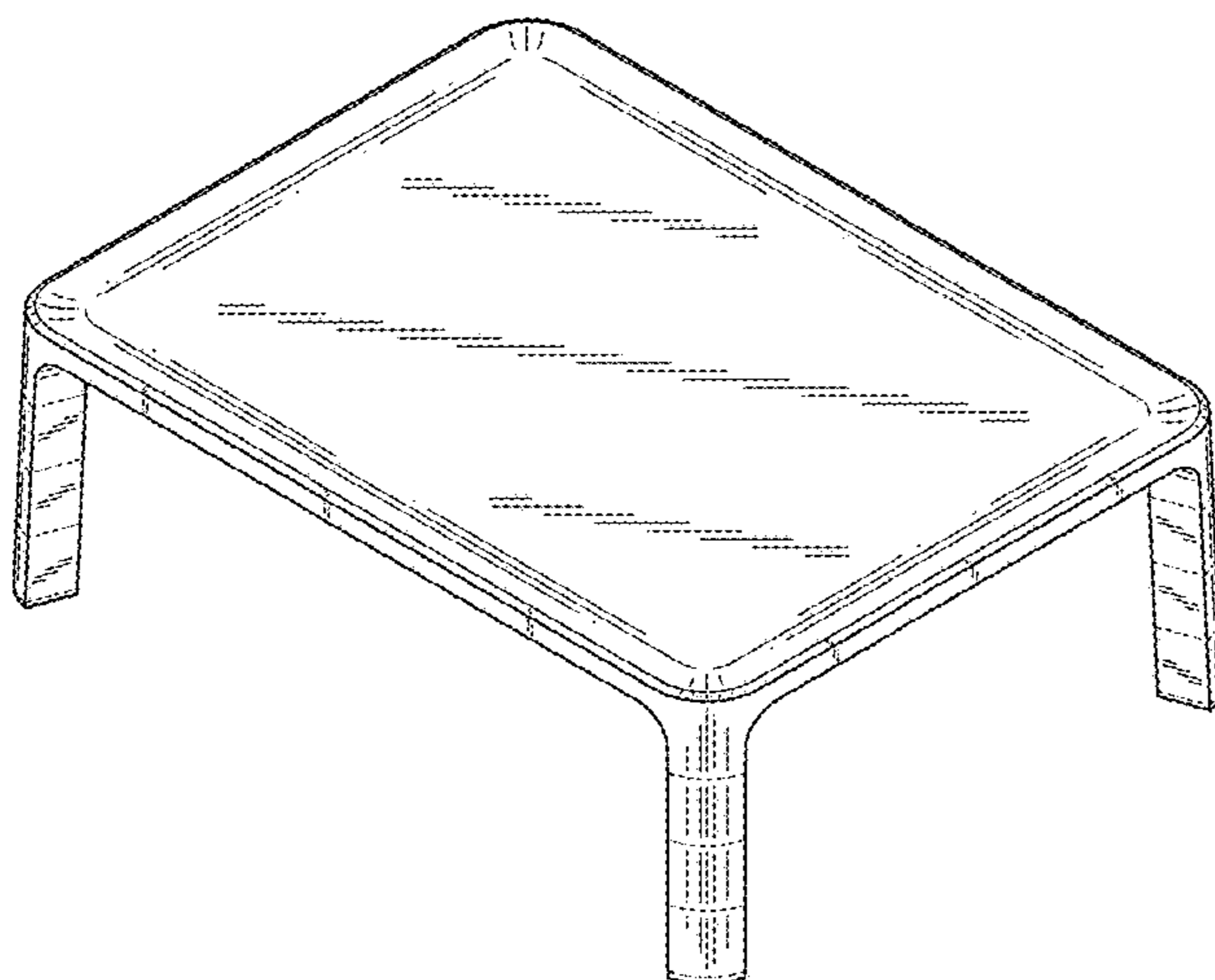
FIG. 3 is a left side view thereof, a right side view being a mirror image thereof;

FIG. 4 is a top view thereof; and,

FIG. 5 is a bottom view thereof.

The portions of the stand in FIGS. 1-5 shown in broken lines are included to show features that form no part of the claimed design.

1 Claim, 2 Drawing Sheets



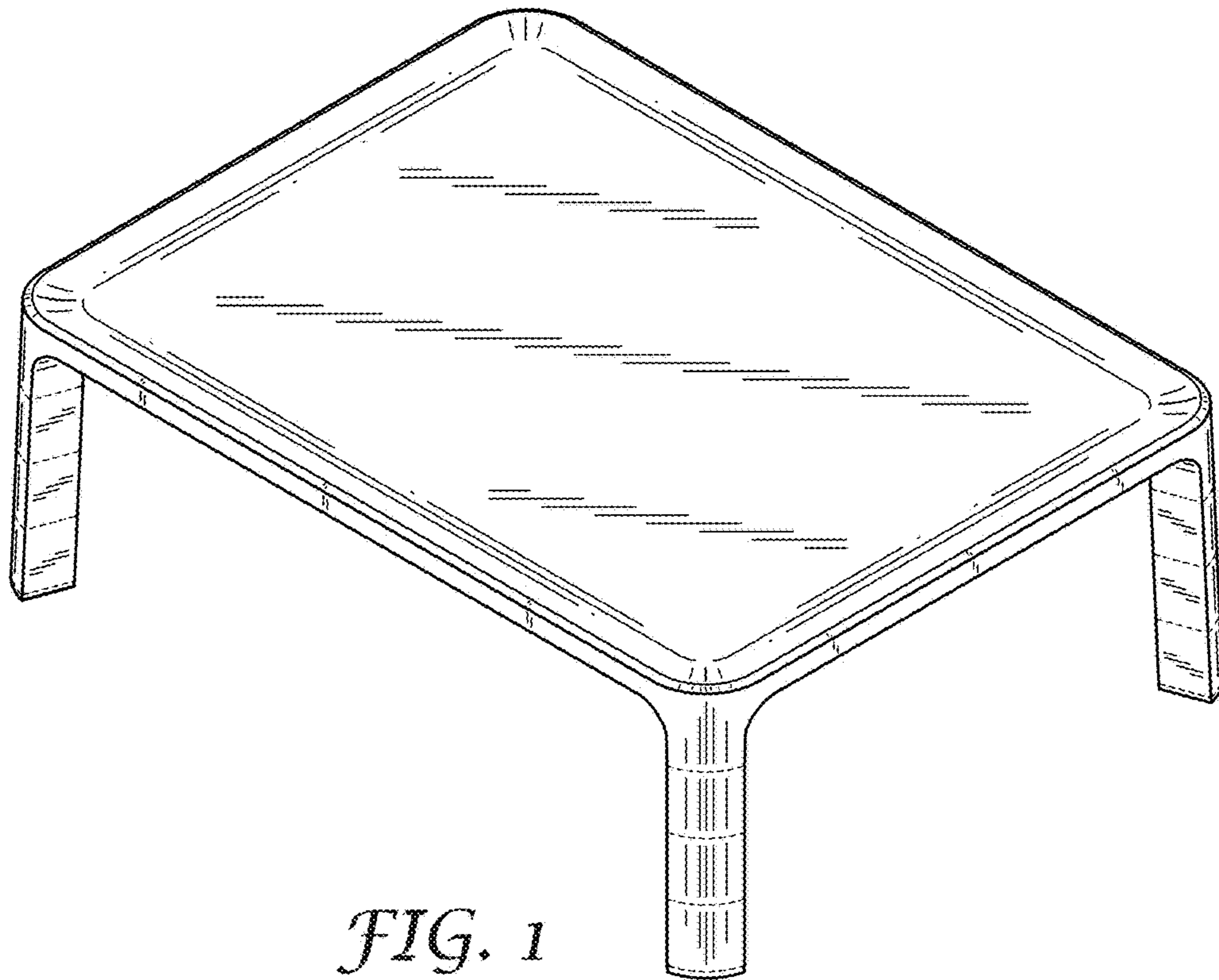


FIG. 1

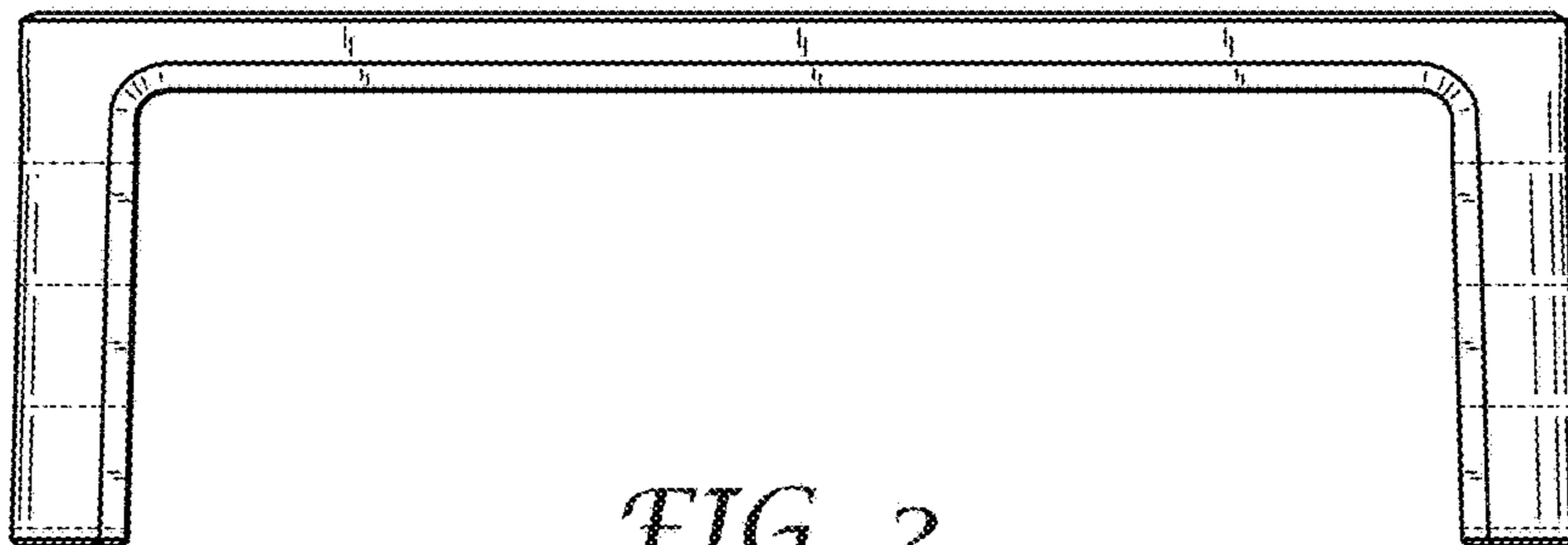


FIG. 2

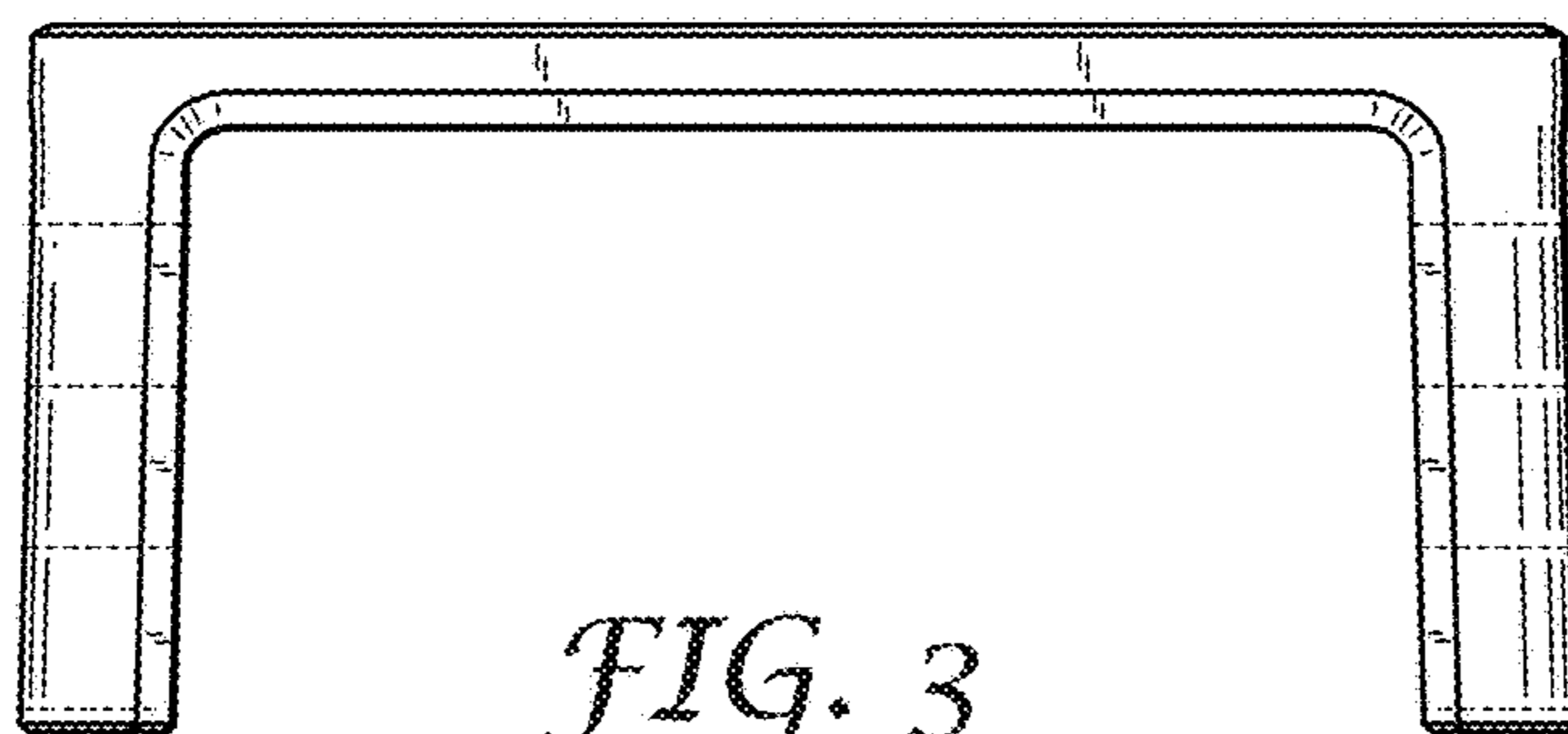


FIG. 3

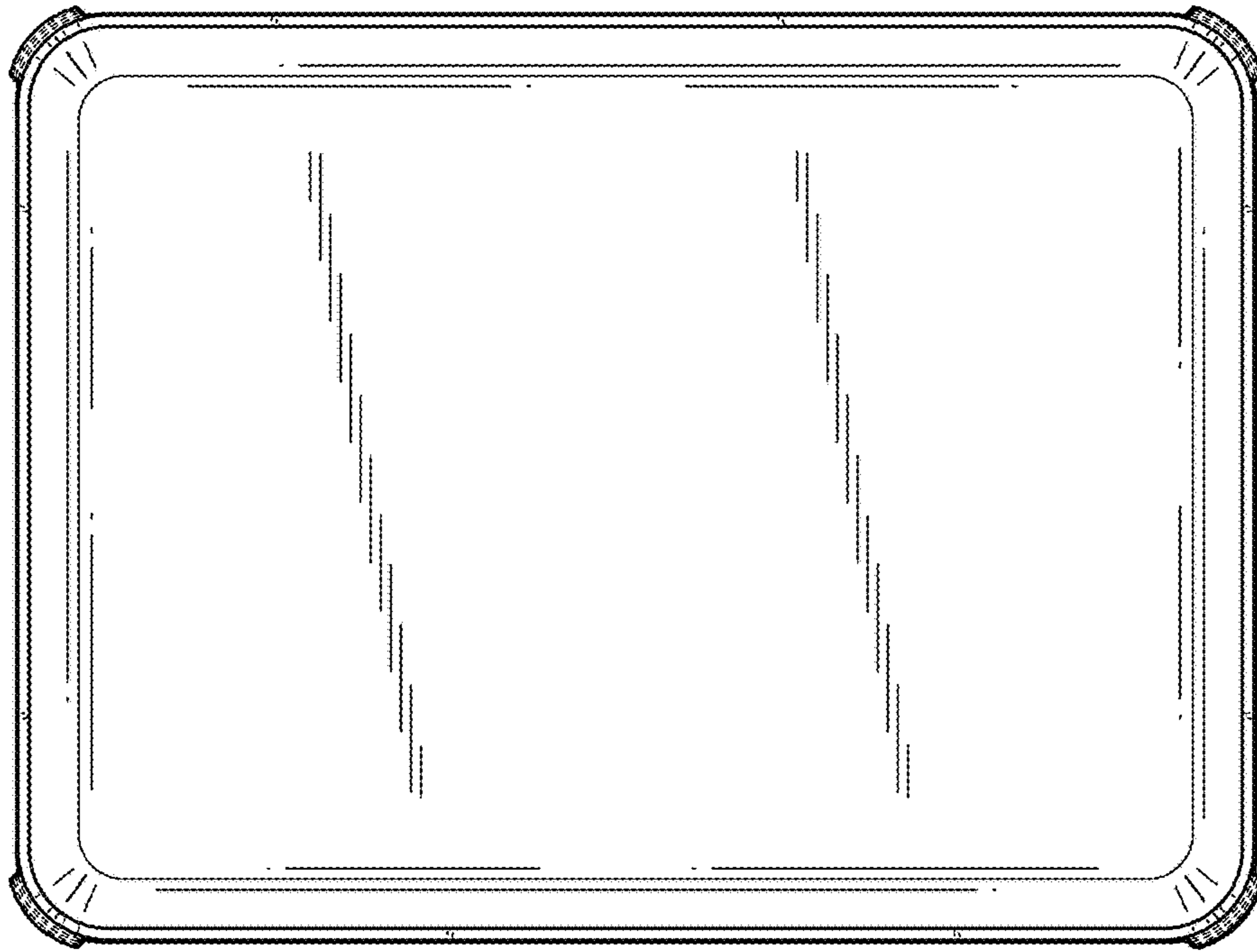


FIG. 4

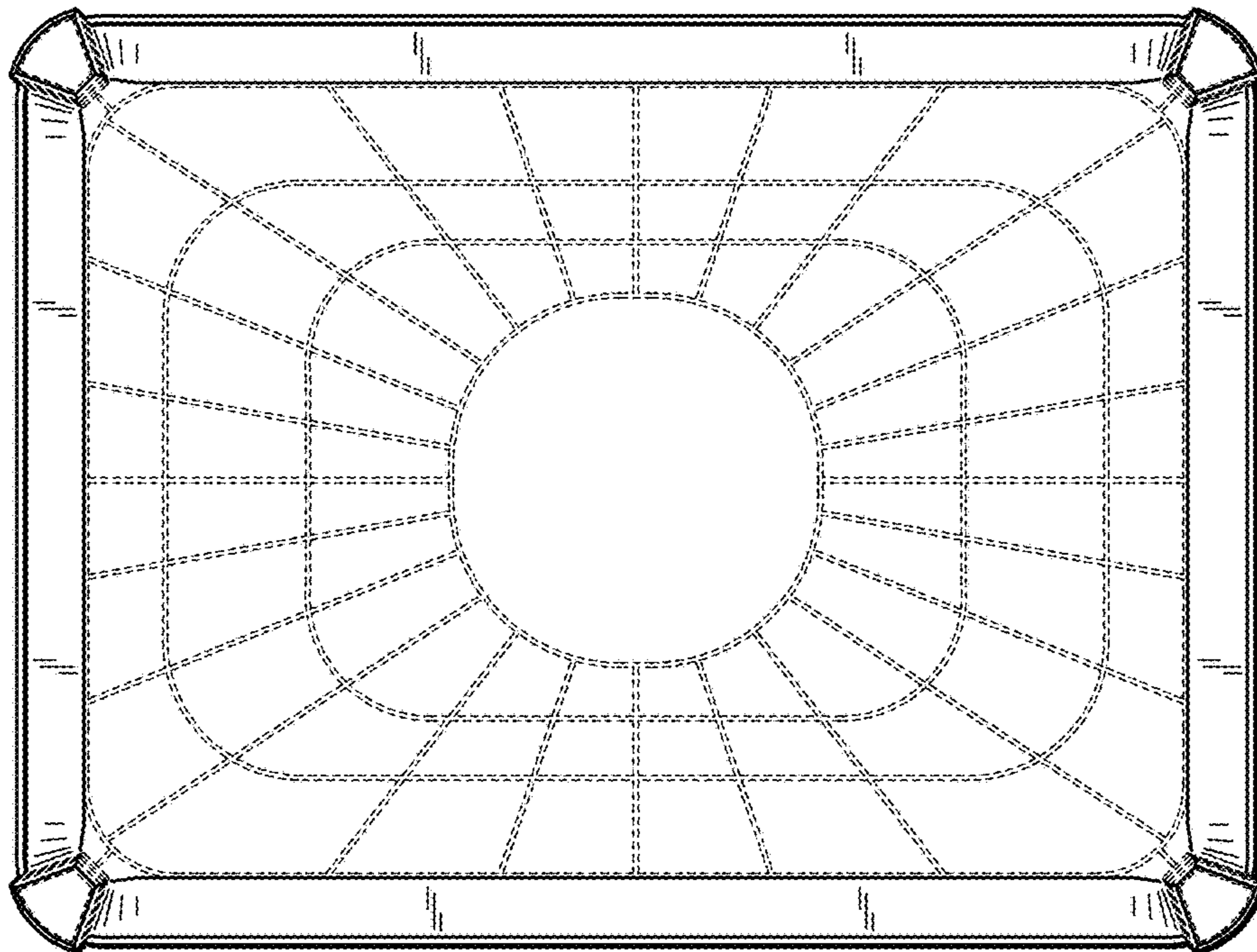


FIG. 5