



US00D780490S

(12) **United States Design Patent** (10) **Patent No.:** **US D780,490 S**  
**James et al.** (45) **Date of Patent:** **\*\* Mar. 7, 2017**

- (54) **HEADPHONE STAND**
- (71) Applicants: **Peter Bryan James**, Woodland Hills, CA (US); **Michelle Jean Davis**, Woodland Hills, CA (US)
- (72) Inventors: **Peter Bryan James**, Woodland Hills, CA (US); **Michelle Jean Davis**, Woodland Hills, CA (US)
- (\*\*) Term: **15 Years**
- (21) Appl. No.: **29/560,239**
- (22) Filed: **Apr. 4, 2016**
- (51) **LOC (10) Cl.** ..... **06-06**
- (52) **U.S. Cl.**  
USPC ..... **D6/682**
- (58) **Field of Classification Search**  
USPC ..... D6/672-673, 678, 682; D14/204-205, D14/209.1, 217, 223-224, 229, 251, 432, D14/434, 447, 451, 466  
CPC ..... G10G 5/00; G10G 7/005; G10G 7/02  
See application file for complete search history.

- (56) **References Cited**
- U.S. PATENT DOCUMENTS
- |              |        |          |       |         |
|--------------|--------|----------|-------|---------|
| D296,736 S * | 7/1988 | Cole     | ..... | D14/223 |
| D300,790 S * | 4/1989 | Beckwith | ..... | D11/131 |
| D323,753 S * | 2/1992 | Johnston | ..... | D11/131 |
| D325,578 S * | 4/1992 | Daido    | ..... | D14/155 |
| D355,913 S * | 2/1995 | Chong    | ..... | D14/155 |
| D357,248 S * | 4/1995 | Cheng    | ..... | D14/137 |

- |                   |         |          |       |                      |
|-------------------|---------|----------|-------|----------------------|
| 5,715,321 A *     | 2/1998  | Andrea   | ..... | H04M 1/05<br>379/430 |
| D511,769 S *      | 11/2005 | Hirakawa | ..... | D14/223              |
| D593,998 S *      | 6/2009  | Bentley  | ..... | D14/224              |
| D623,502 S *      | 9/2010  | Blonder  | ..... | D8/356               |
| D723,011 S *      | 2/2015  | Symons   | ..... | D14/224              |
| D737,606 S *      | 9/2015  | King     | ..... | D6/682               |
| 2016/0217775 A1 * | 7/2016  | May      | ..... | G10D 13/026          |

\* cited by examiner

*Primary Examiner* — Kelley Donnelly

(57) **CLAIM**

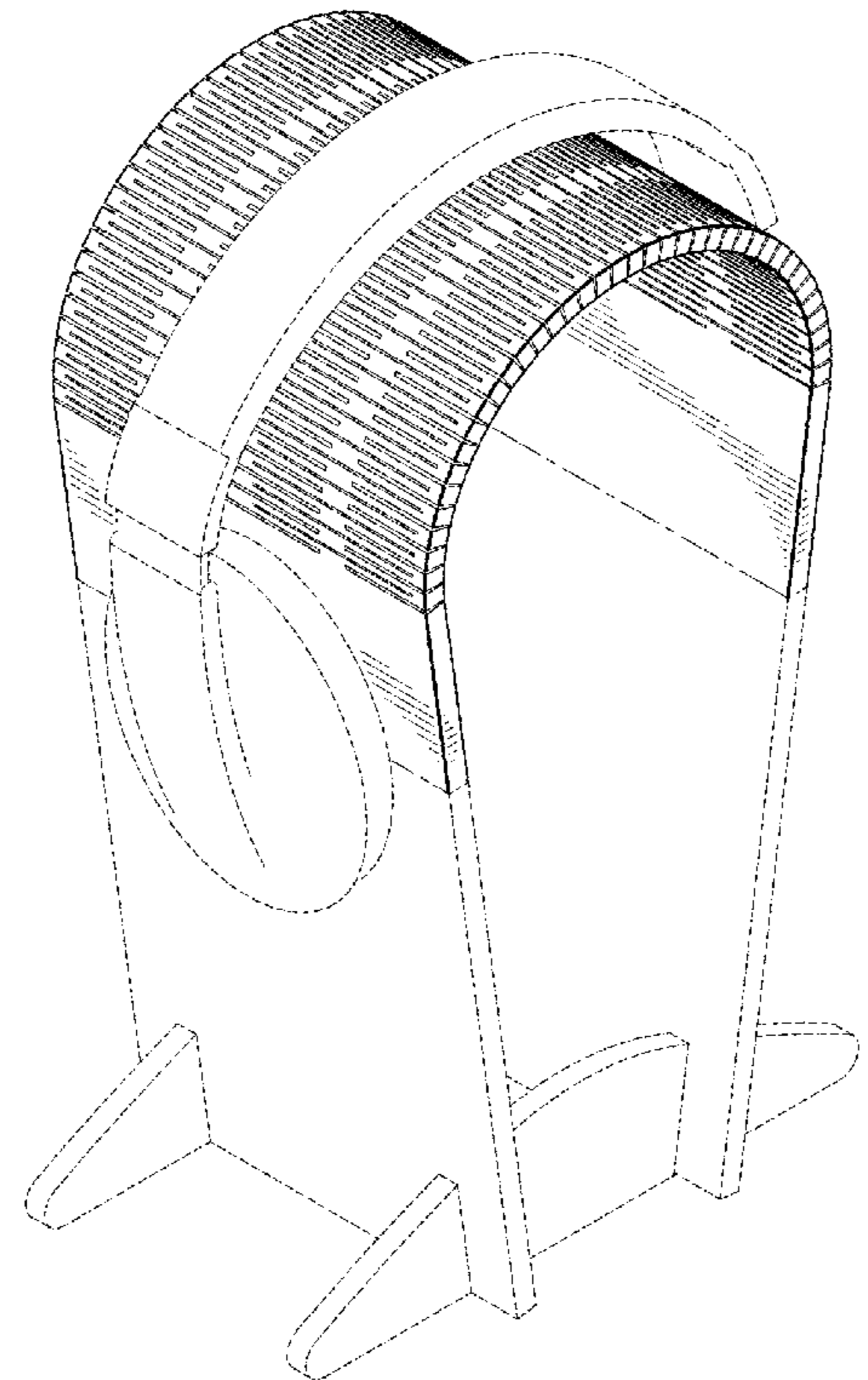
The ornamental design for a headphone stand, as shown and described.

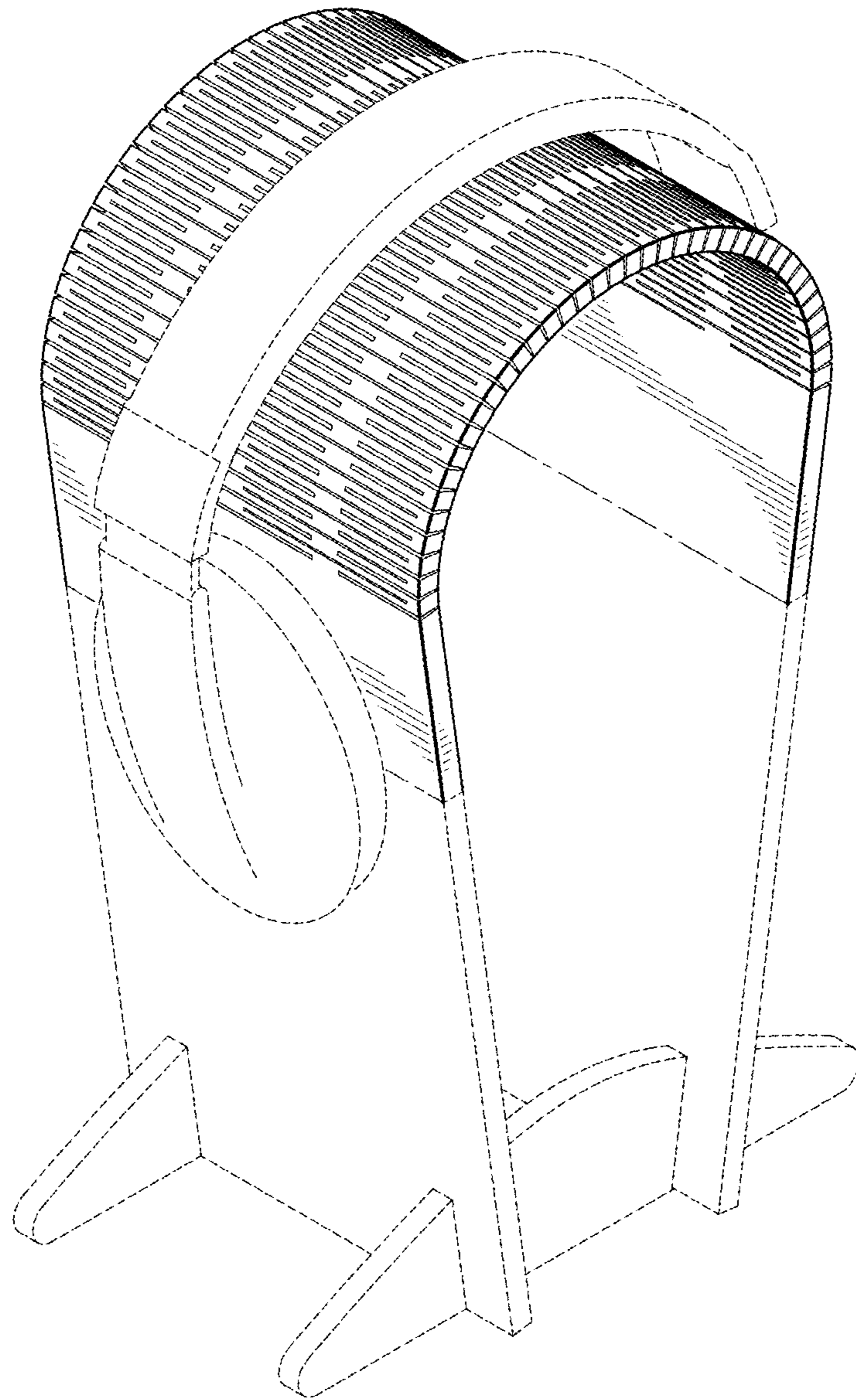
**DESCRIPTION**

FIG. 1 is a perspective view of the headphone stand showing our new design;  
 FIG. 2 is a front elevation view thereof;  
 FIG. 3 is a left side elevation view thereof, the right side being a mirror image;  
 FIG. 4 is top plan view thereof;  
 FIG. 5 is a bottom plan view thereof;  
 FIG. 6 is an exploded perspective view thereof; and,  
 FIG. 7 is a perspective view of the disassembled parts thereof.

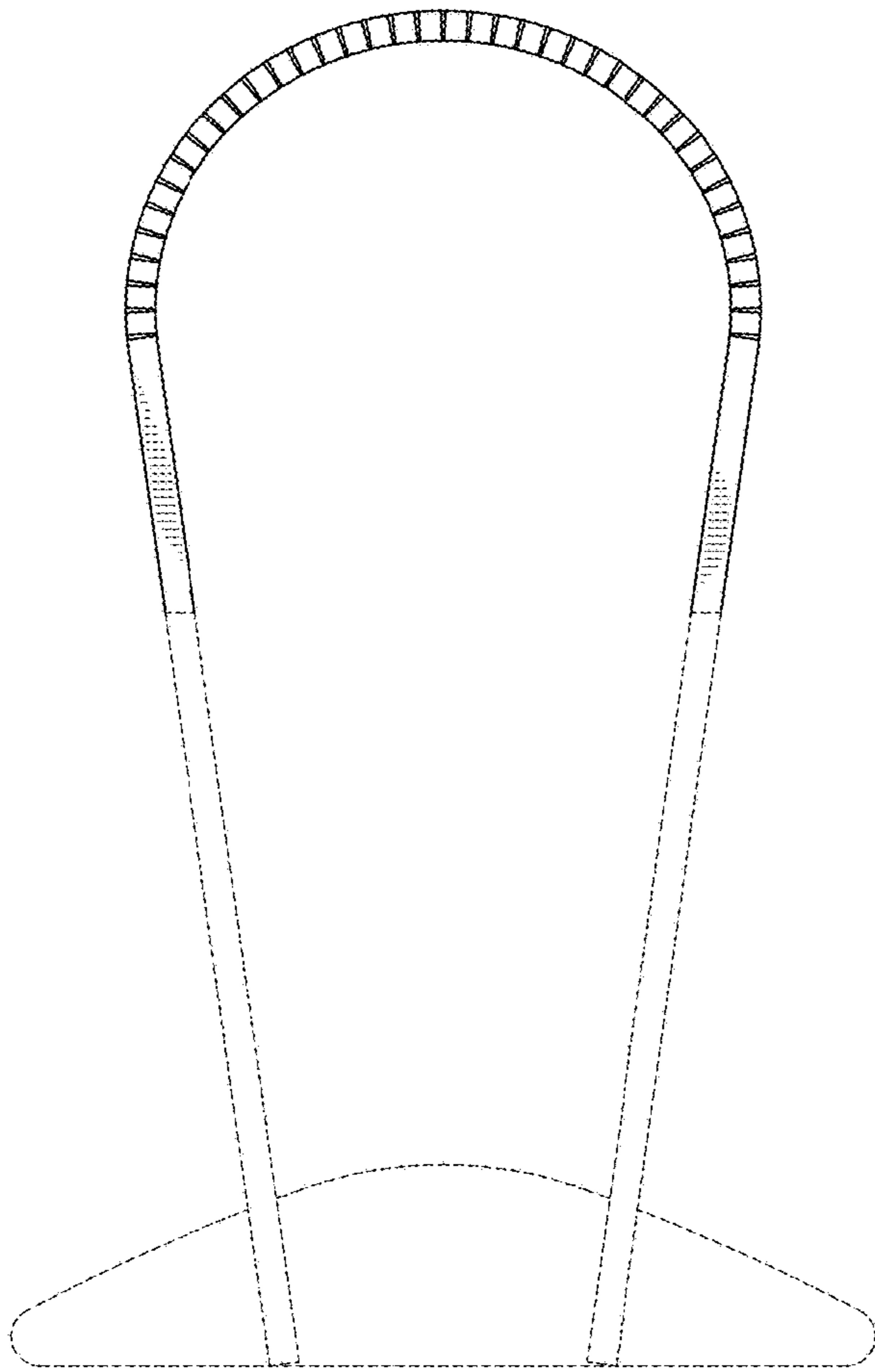
The broken lines shown are included for the purpose of illustrating the unclaimed portions of the article and form no part of the claim.  
 The broken lines that define the bounds of the claimed design form no part thereof.

**1 Claim, 5 Drawing Sheets**

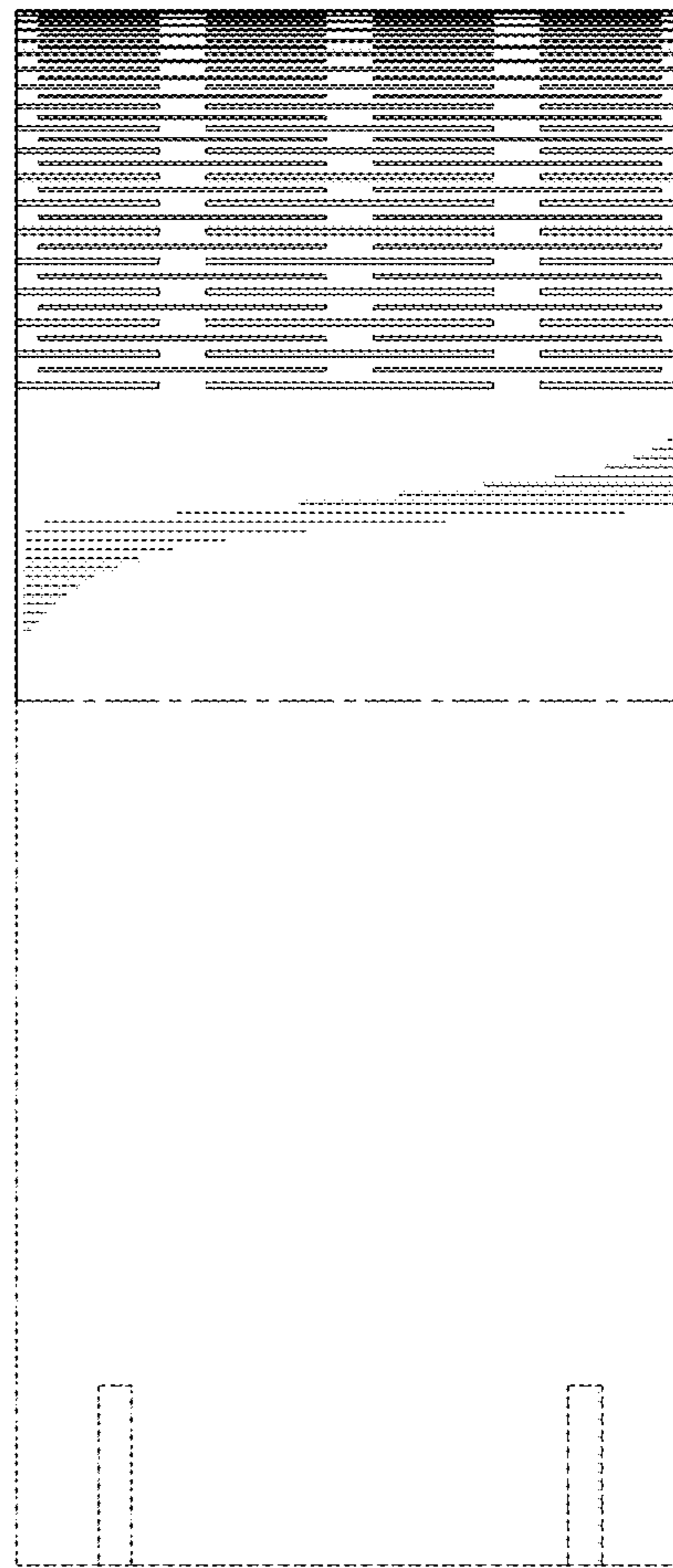




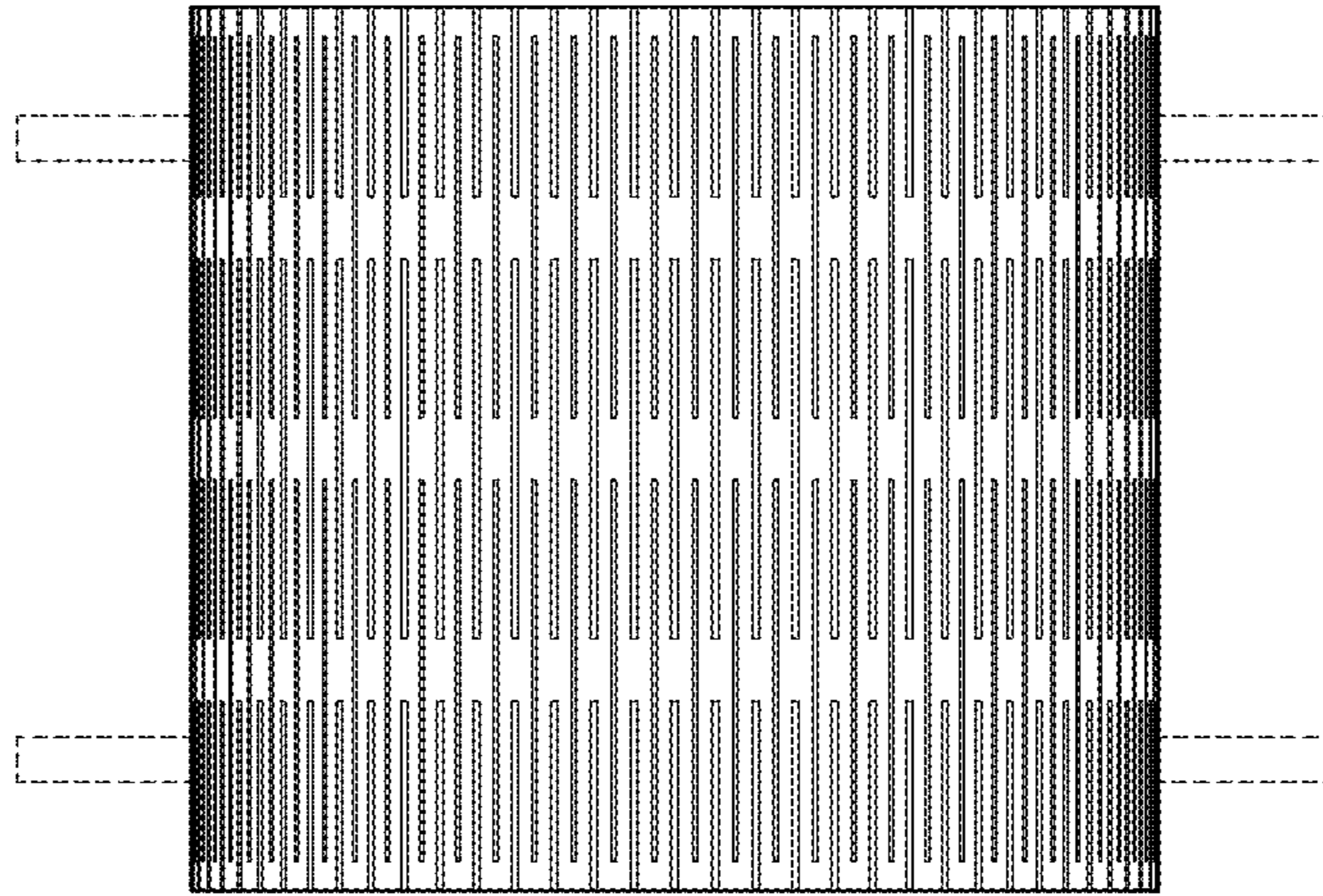
*FIG. 1*



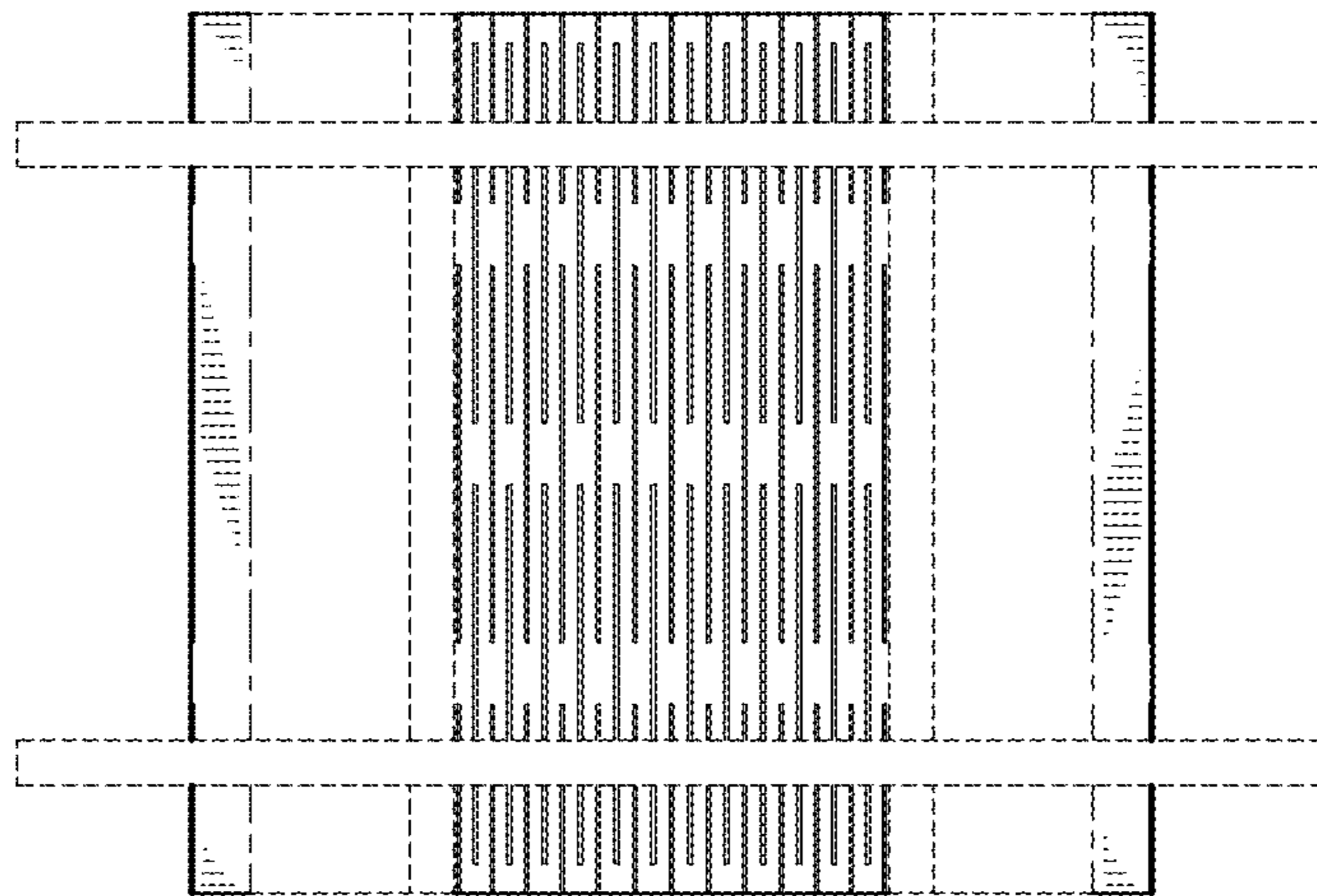
*FIG. 2*



*FIG. 3*



*FIG. 4*



*FIG. 5*

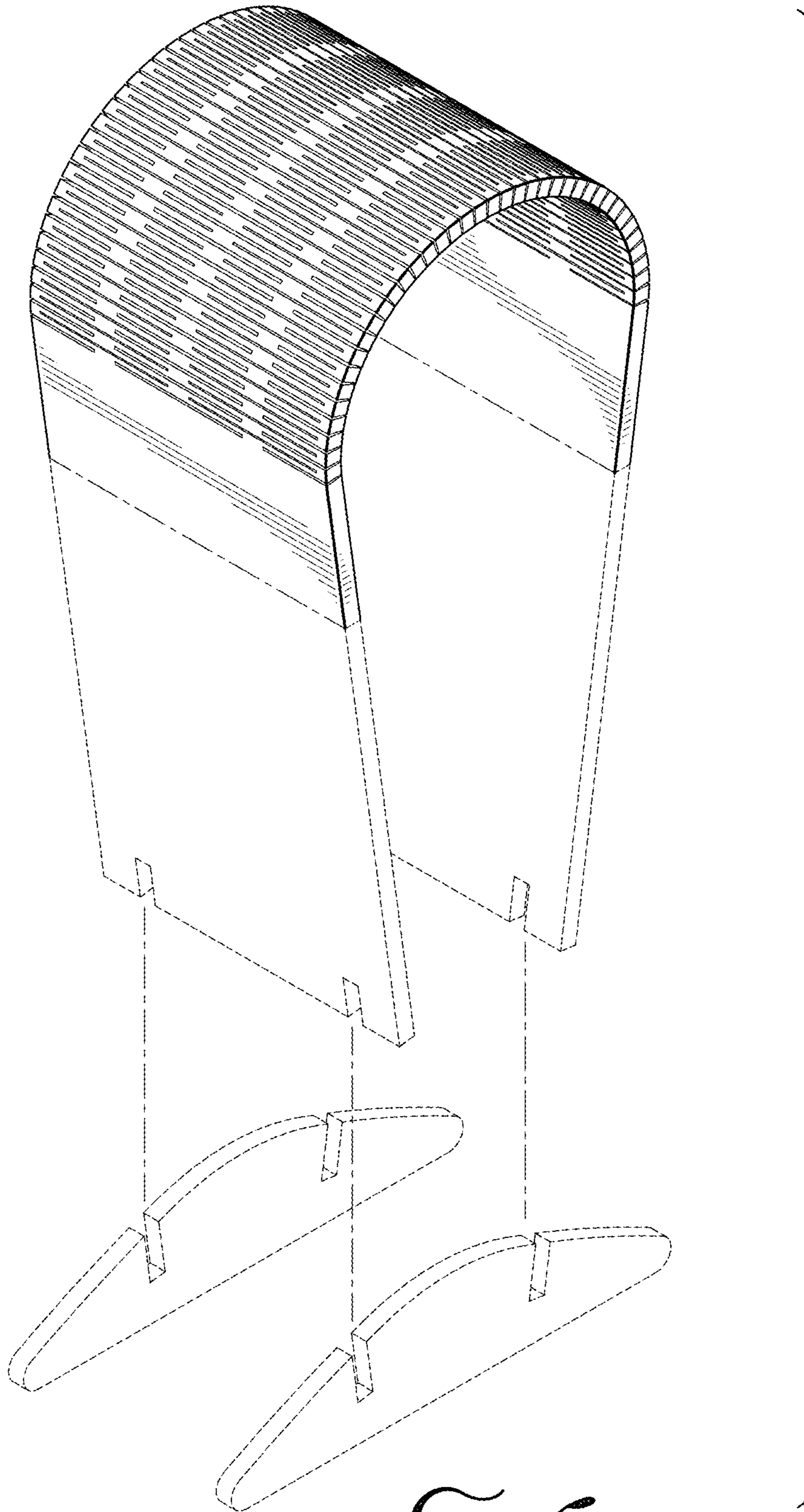


FIG. 6

