



US00D780488S

(12) **United States Design Patent** (10) **Patent No.:** **US D780,488 S**
Celano (45) **Date of Patent:** **** Mar. 7, 2017**

(54) **CABINET**

(71) Applicant: **Peter Celano**, Mesa, AZ (US)

(72) Inventor: **Peter Celano**, Mesa, AZ (US)

(**) Term: **15 Years**

(21) Appl. No.: **29/528,535**

(22) Filed: **May 29, 2015**

Related U.S. Application Data

(62) Division of application No. 29/481,280, filed on Feb. 4, 2014, now Pat. No. Des. 752,366.

(51) **LOC (10) Cl.** **06-04**

(52) **U.S. Cl.**
USPC **D6/672; D6/675**

(58) **Field of Classification Search**

USPC D3/201, 203.1, 272, 273, 283; D6/670, D6/672, 675, 683, 708, 706.21, 708.22; D9/414-418, 432, 433, 499; D19/90; D30/133; D34/19, 34; 206/515, 527, 206/784, 825; 220/9.1, 9.3, 62, 475, 639, 220/643, 646, 647, 890, 913; 229/100, 229/117.01, 117.67, 120, 120.1, 160
CPC A47B 47/005; A47B 87/0207; A47B 87/0276; A47B 57/42; F16B 12/32
See application file for complete search history.

(56) **References Cited**

U.S. PATENT DOCUMENTS

3,661,434 A * 5/1972 Alster A47B 47/005 312/108
D341,961 S * 12/1993 Howden D13/184
D384,221 S * 9/1997 Roeder D6/675

D399,648 S * 10/1998 Hilton D3/201
D423,171 S * 4/2000 Alcala D34/19
D449,525 S * 10/2001 Sturgess D9/432
D467,449 S * 12/2002 Ong D6/675
D565,664 S * 4/2008 Gusdorf D19/90
D600,943 S * 9/2009 Austin D6/675
D600,944 S * 9/2009 McConnell D6/675
D609,028 S * 2/2010 LeTourneau D6/663
D622,959 S * 9/2010 Zalewski D3/273
D632,892 S * 2/2011 Zalewski D3/273

(Continued)

Primary Examiner — Thomas Johannes

Assistant Examiner — Catherine Posthauer

(74) *Attorney, Agent, or Firm* — Jackson White, PC; Steven J. Laureanti

(57) **CLAIM**

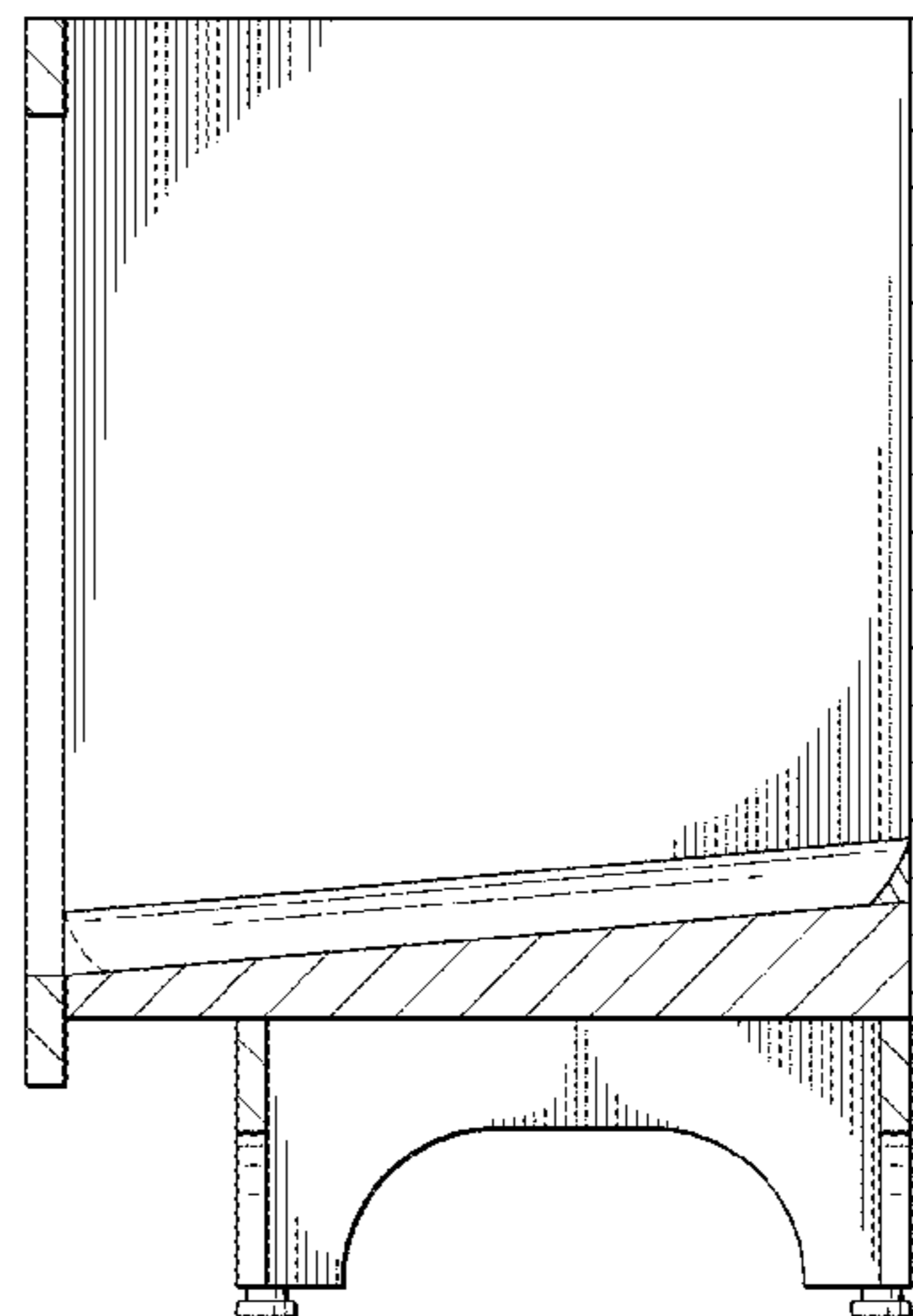
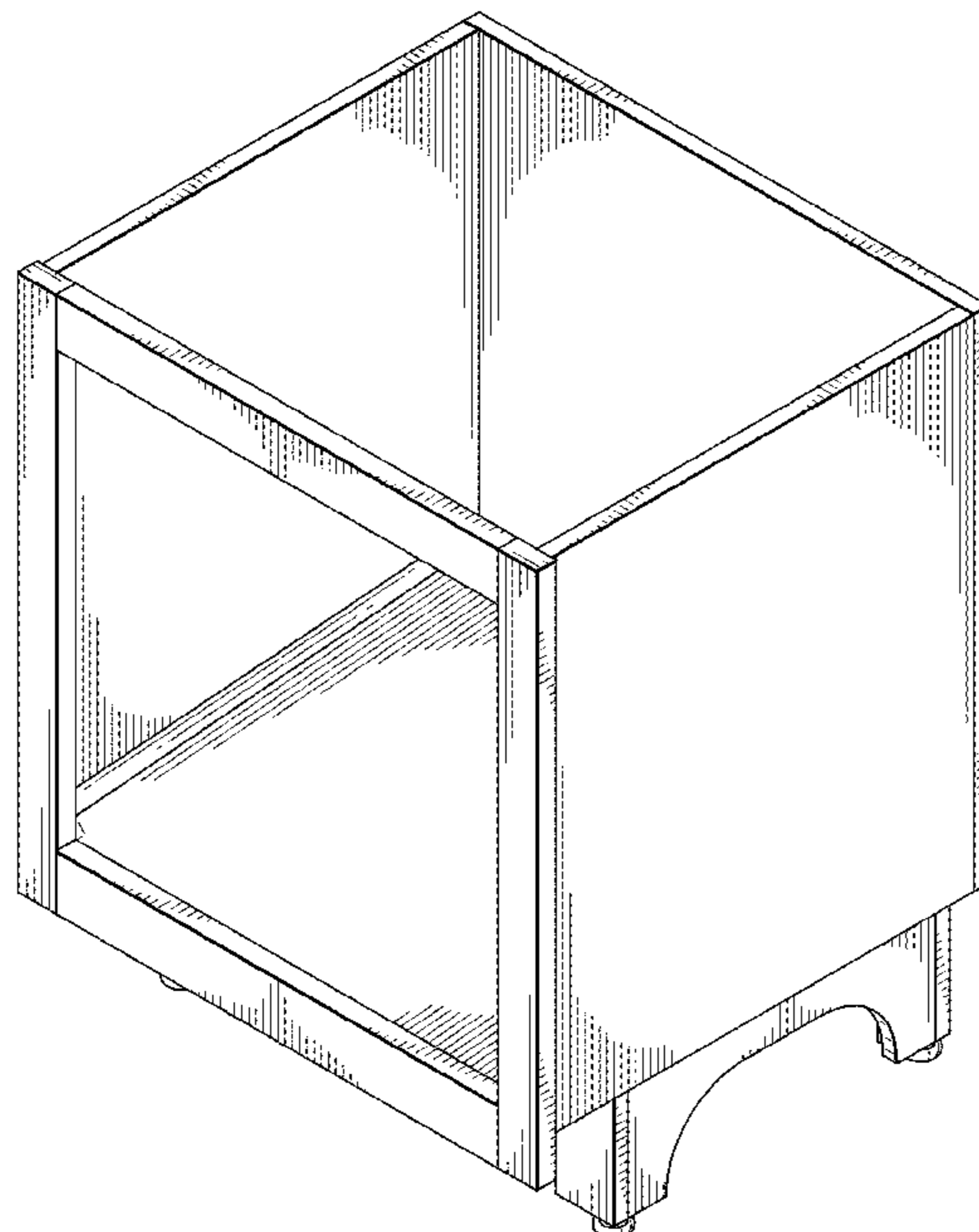
The ornamental design for a cabinet, as shown and described.

DESCRIPTION

FIG. 1 is a perspective view of the present invention; FIG. 2 is a front view of the present invention of FIG. 1; FIG. 3 is a back view of the present invention of FIG. 1; FIG. 4 is a right side view of the present invention of FIG. 1; FIG. 5 is a left side view of the present invention of FIG. 1; FIG. 6 is a top view of the present invention of FIG. 1; FIG. 7 is a bottom view of the present invention of FIG. 1; and, FIG. 8 is a cross section view taken in the direction of line in FIG. 6.

The evenly broken lines are shown for the purpose of illustrating portions of the article that form no part of the claimed design. The dot-dash boundary lines represent the boundaries of the claim and form no part thereof.

1 Claim, 5 Drawing Sheets



(56)

References Cited

U.S. PATENT DOCUMENTS

D634,950	S *	3/2011	Wahl	D6/708
D663,118	S *	7/2012	Zalewski	D3/273
D703,466	S *	4/2014	Franck	D6/675
D711,171	S *	8/2014	Brielmaier	D6/675
D714,578	S *	10/2014	Woods	D6/708
D718,560	S *	12/2014	Denby	D6/708
D723,308	S *	3/2015	Franck	D6/675
D734,667	S *	7/2015	Schotsman	D11/155
D743,190	S *	11/2015	Franck	D6/675
D752,366	S *	3/2016	Celano	D6/672
2007/0132345	A1 *	6/2007	Lai	A47B 47/005 312/265.4
2011/0234066	A1 *	9/2011	Celano	A47B 91/024 312/237
2015/0298856	A1 *	10/2015	Shiotani	B65D 21/0235 206/509

* cited by examiner

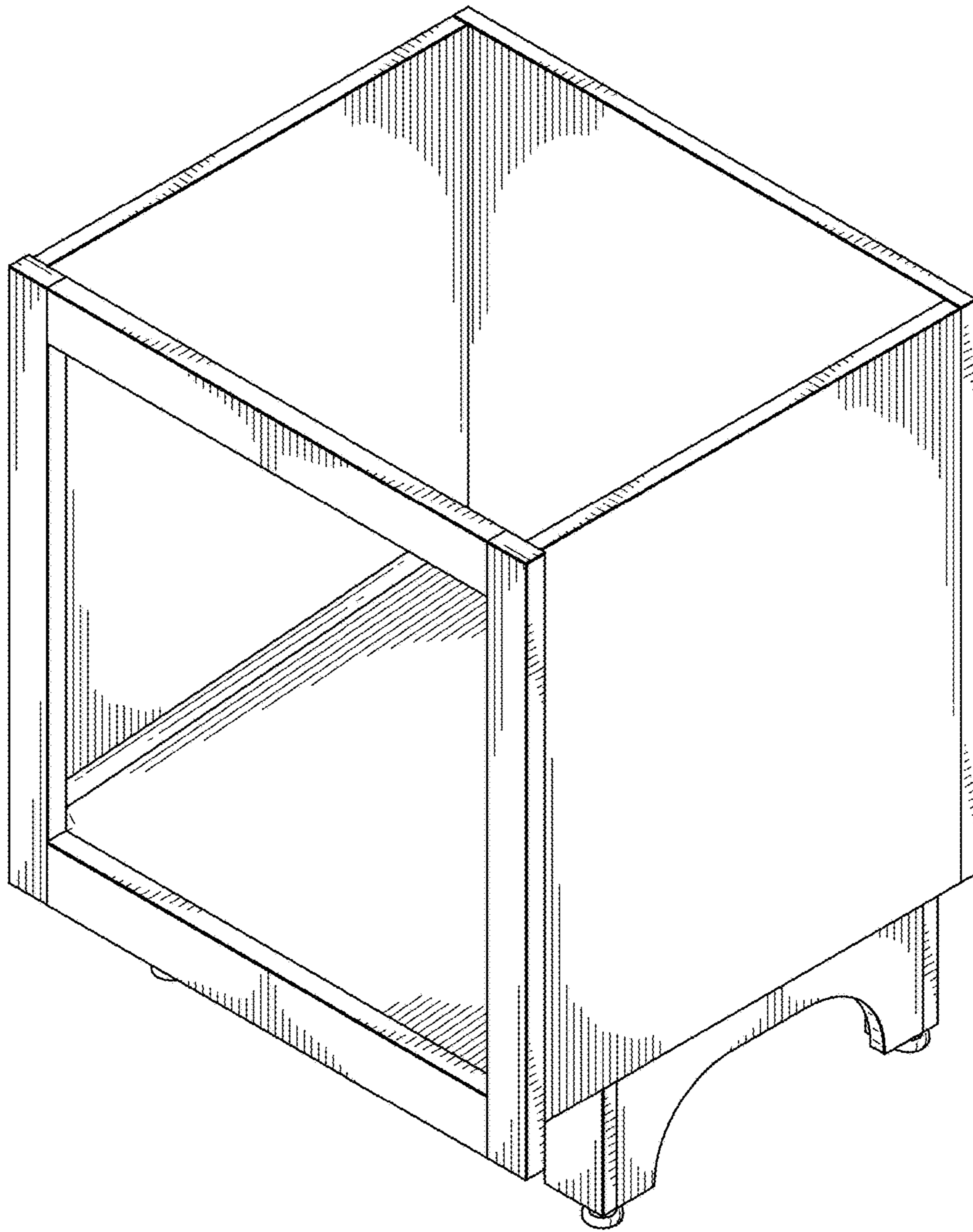


FIG. 1

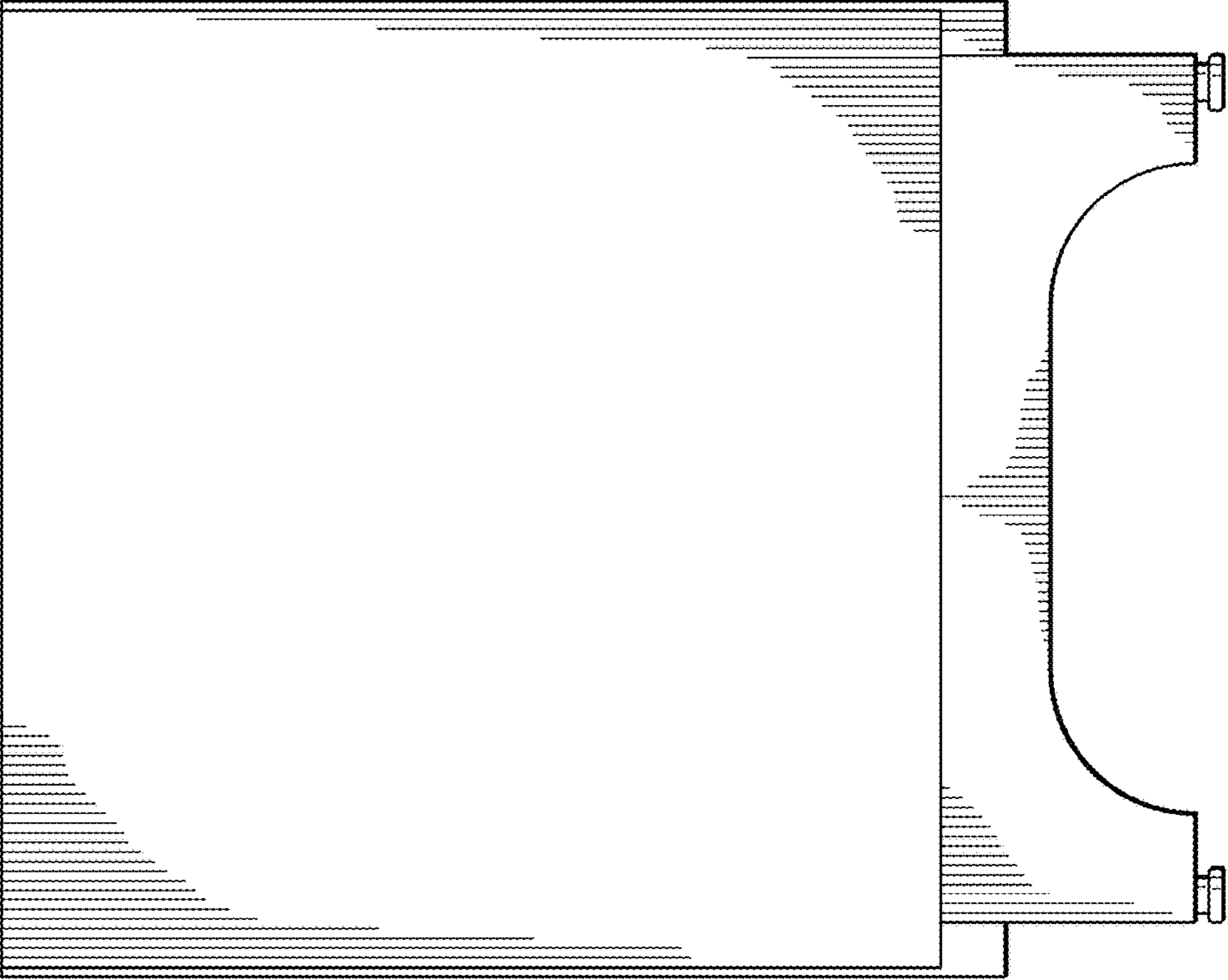


FIG. 3

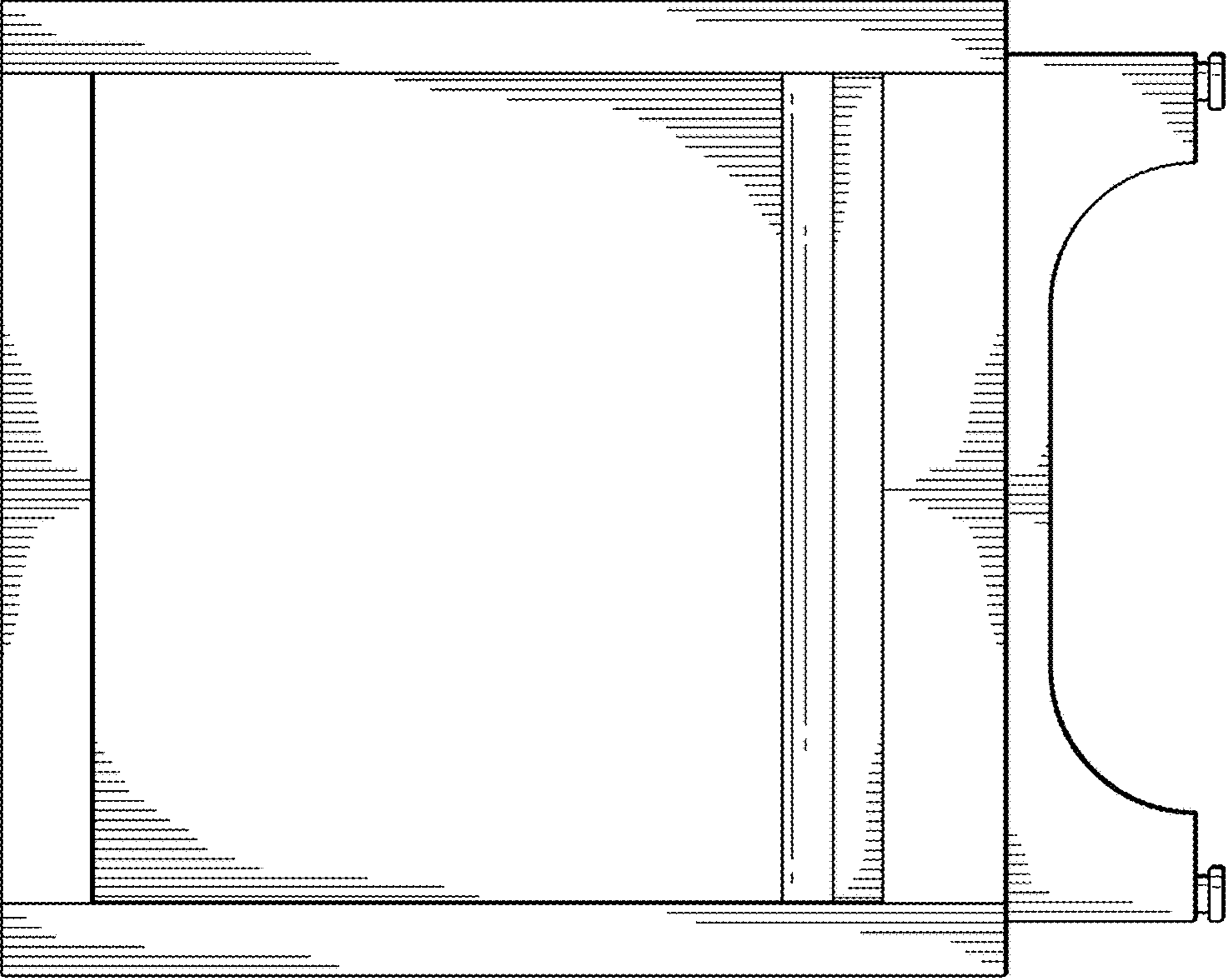


FIG. 2

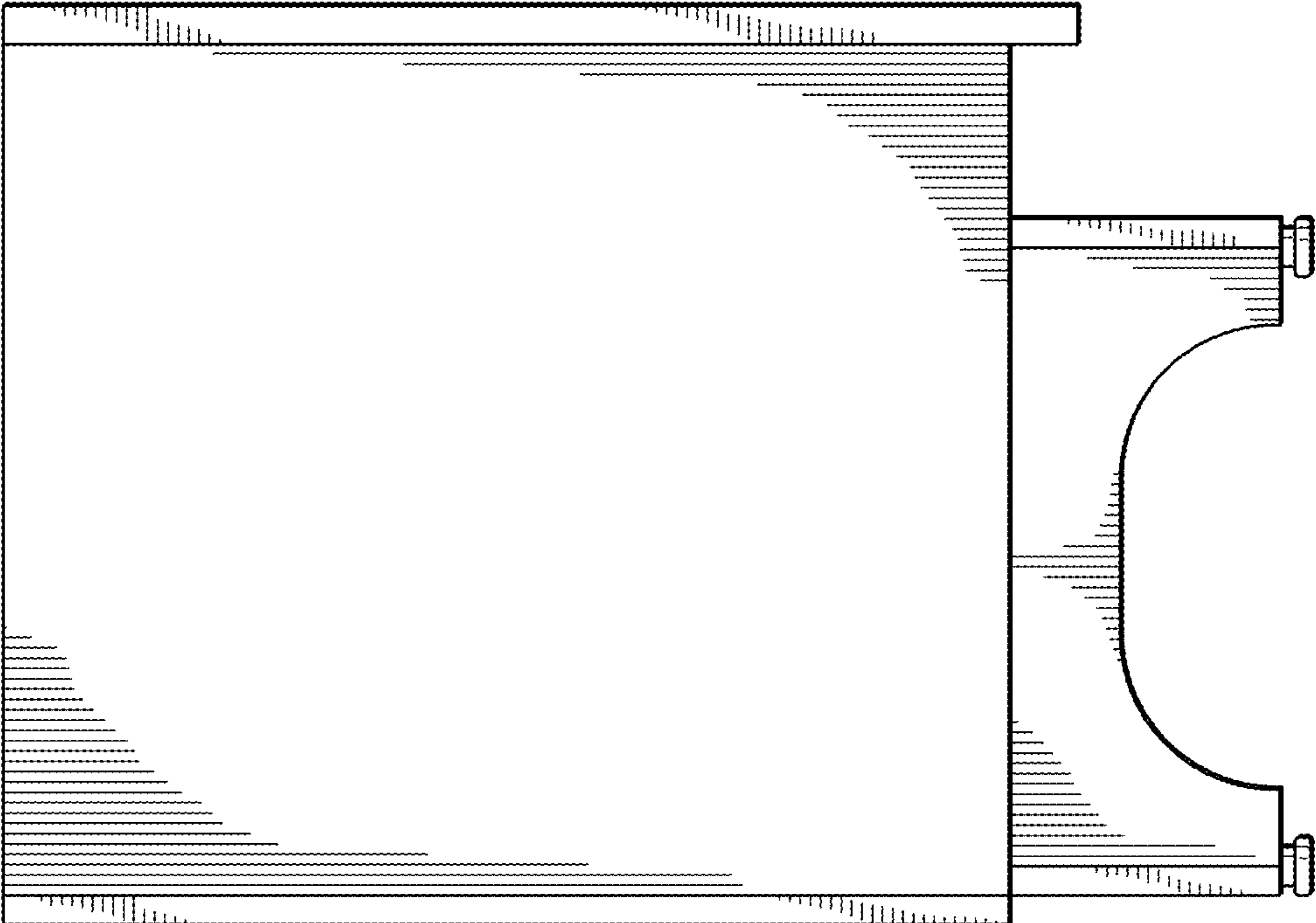


FIG. 5

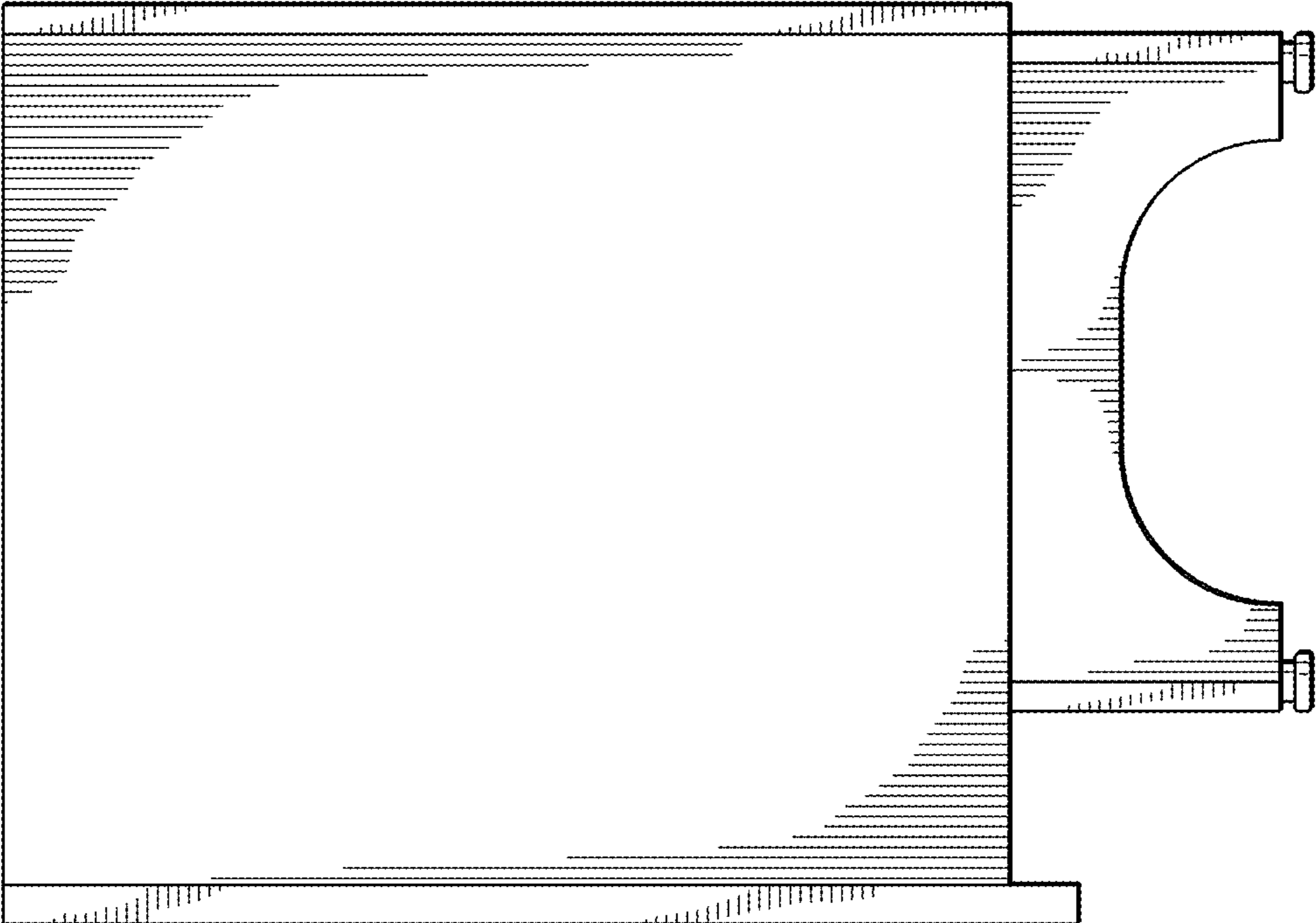


FIG. 4

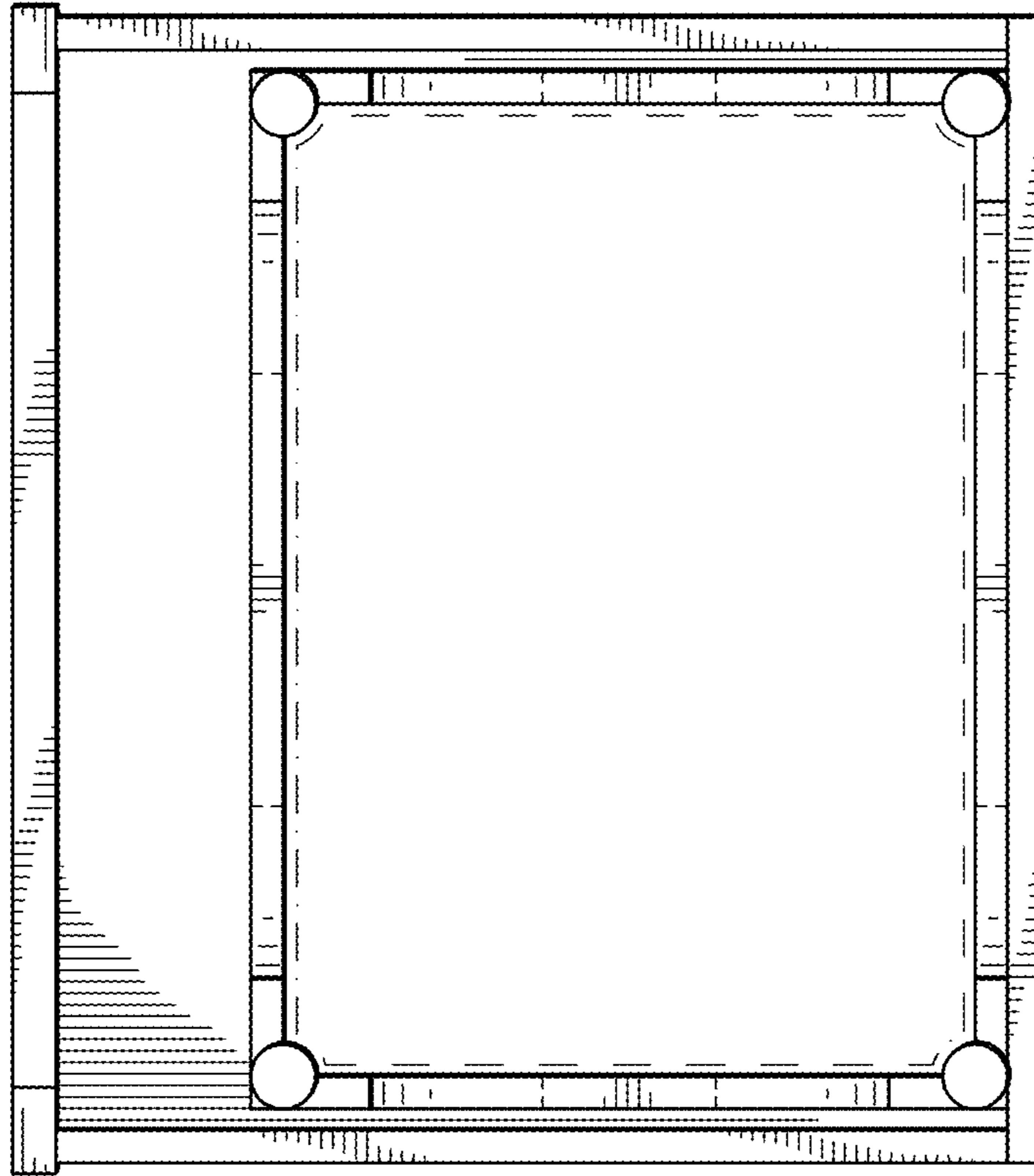


FIG. 7

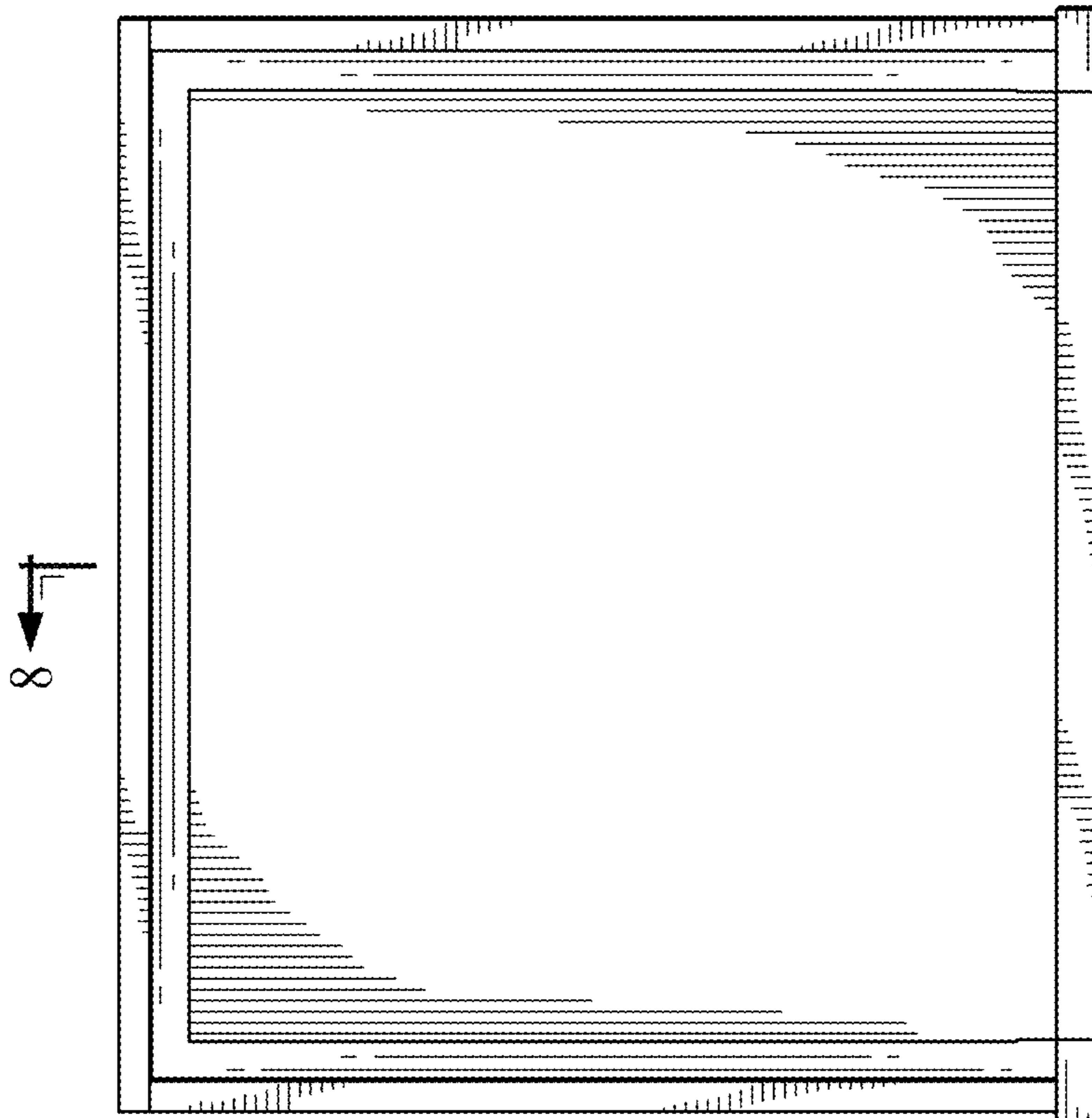


FIG. 6

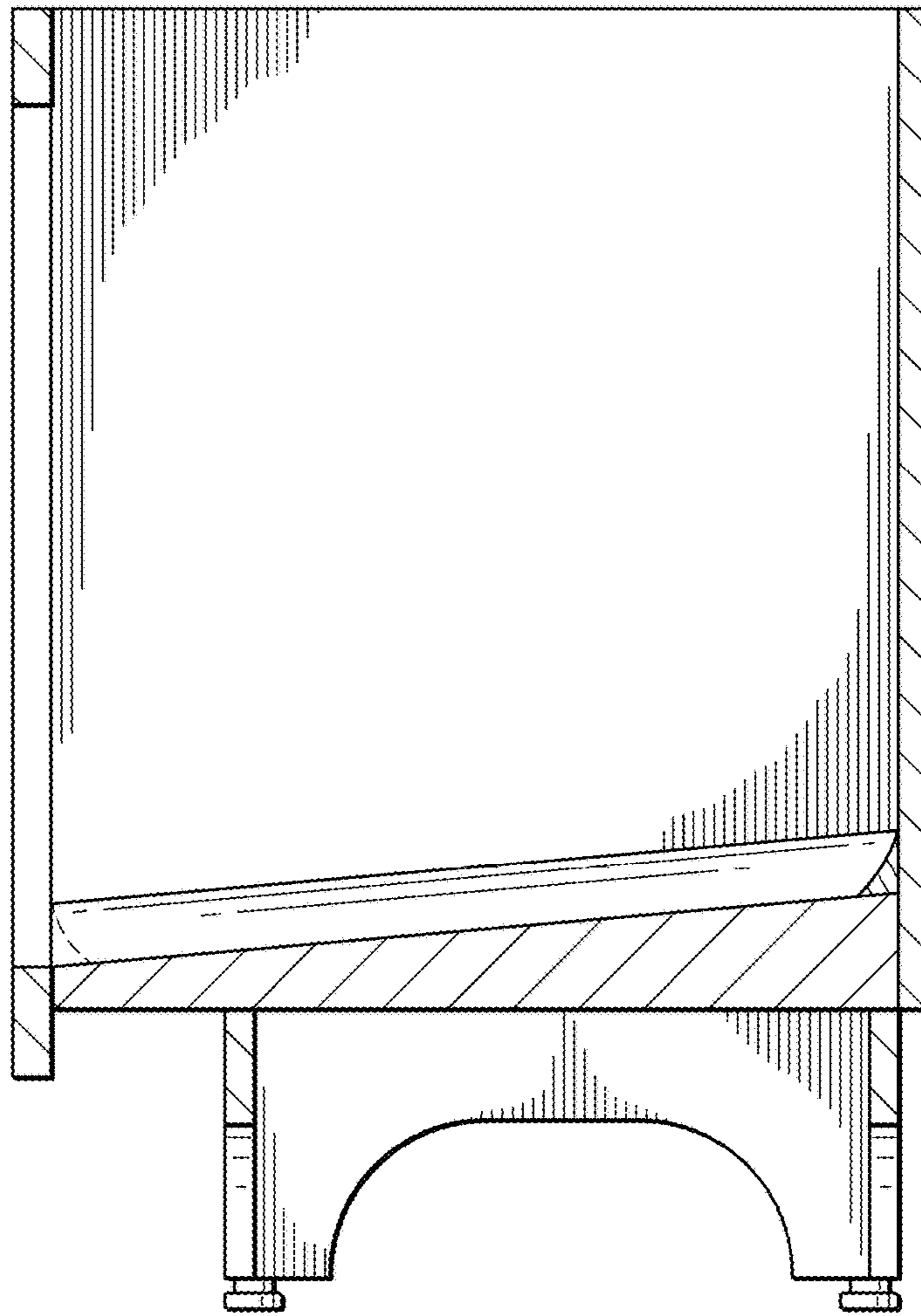


FIG. 8