



US00D780487S

(12) **United States Design Patent**
Brown

(10) **Patent No.:** **US D780,487 S**

(45) **Date of Patent:** **** Mar. 7, 2017**

- (54) **DESK**
- (71) Applicant: **Benchmark Components, Inc.**, Thorp,
WI (US)
- (72) Inventor: **Greg Albert Brown**, Chippewa Falls,
WI (US)
- (73) Assignee: **Benchmark Components, Inc.**, Thorp,
WI (US)
- (**) Term: **15 Years**
- (21) Appl. No.: **29/551,946**
- (22) Filed: **Jan. 19, 2016**
- (51) **LOC (10) Cl.** **06-03**
- (52) **U.S. Cl.**
USPC **D6/656.13**
- (58) **Field of Classification Search**
USPC D6/641, 644, 650, 650.1, 656, 656.13,
D6/707.22
CPC . A47B 13/10; A47B 13/08; A47B 2200/0001;
A47B 21/00; A47B 7/00; A47B 7/02;
A47B 9/00
See application file for complete search history.

D724,343 S *	3/2015	Sinha	D6/406.3
D725,950 S	4/2015	Retzlaff	
D731,220 S *	6/2015	Fletcher	D6/338
D742,148 S *	11/2015	Fritz	D6/696.7
D764,206 S *	8/2016	Lin	D6/406.1
2015/0028633 A1*	1/2015	Stubbs	A47B 7/00 297/135

OTHER PUBLICATIONS

Fish-shaped table by Paul Laszlo, published on May 22, 2005 on lamodern.com, image retrieved on Nov. 7, 2016, retrieved from the Internet URL:< <https://lamodern.com/featured-artists/paul-laszlo/>.*

* cited by examiner

Primary Examiner — Rosemary K Tarcza

Assistant Examiner — Alison Ofstun

(74) *Attorney, Agent, or Firm* — Craig A. Fieschko, Esq.;
DeWitt Ross & Stevens S.C.

(57) **CLAIM**

The ornamental design for a desk, as shown and described.

DESCRIPTION

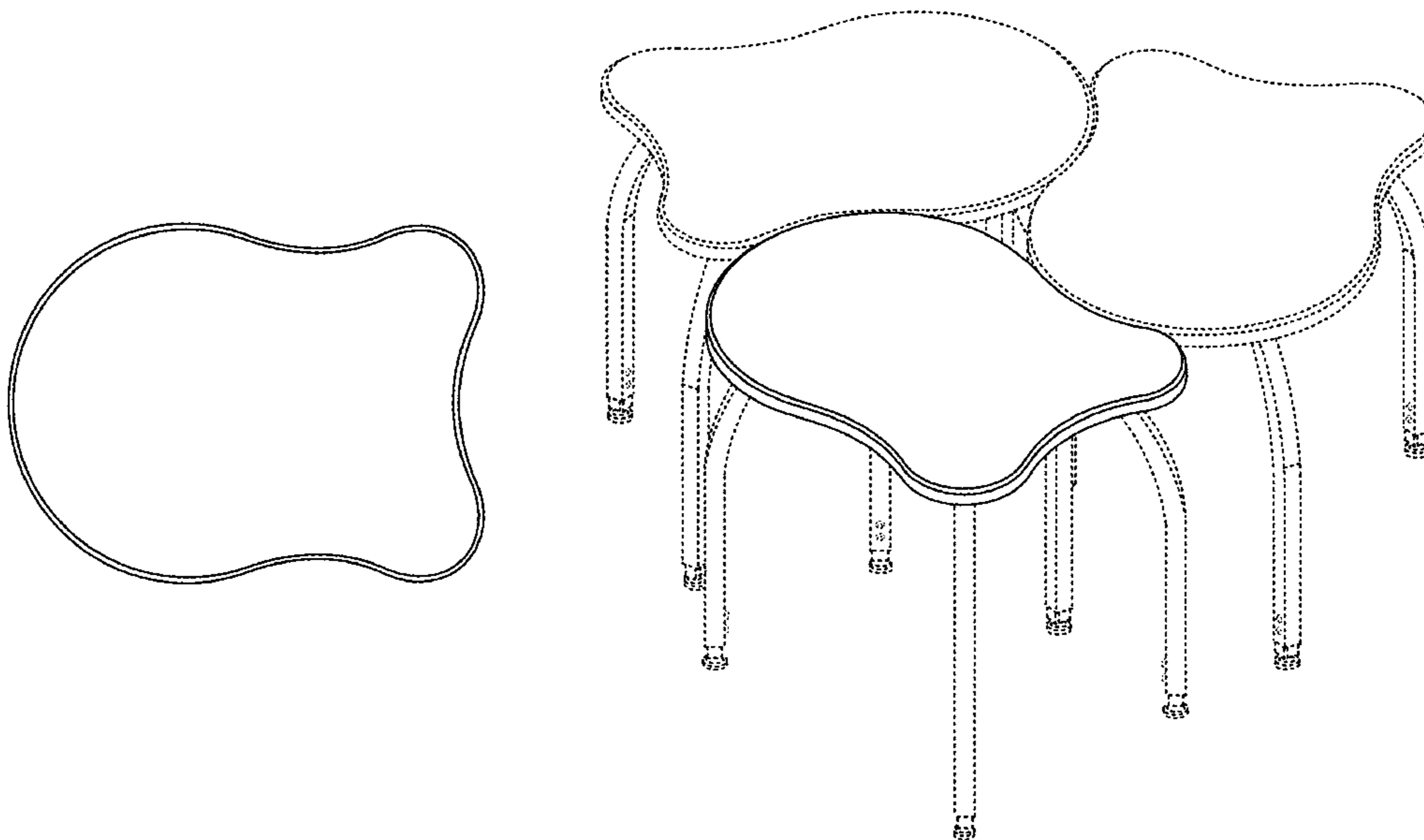
FIG. 1 is a top plan view of the desk showing the design;
 FIG. 2 is a bottom plan view thereof;
 FIG. 3 is a front side elevational view thereof, the rear side elevational view being a mirror image thereof;
 FIG. 4 is a left side elevational view thereof, the right side elevational view being a mirror image thereof;
 FIG. 5 is a perspective view thereof, shown in a first environment of use; and,
 FIG. 6 is a perspective view thereof, shown in a second environment of use.
 The broken lines present in the figures are included for the purpose of illustrating portions of the article that form no part of claimed design.

1 Claim, 4 Drawing Sheets

(56) **References Cited**

U.S. PATENT DOCUMENTS

D334,982 S *	4/1993	Riach	D24/185
D398,452 S *	9/1998	Reddig	D6/338
D430,762 S *	9/2000	Laufer	D6/716.4
D442,397 S *	5/2001	Brown	D6/650
D450,196 S *	11/2001	Sobati	D6/375
D554,921 S *	11/2007	Gordon	D6/707.22
D609,506 S *	2/2010	Adams	D6/716
D646,916 S *	10/2011	Barrett	D6/707.22
D720,948 S *	1/2015	Gonzalez	D6/656.13



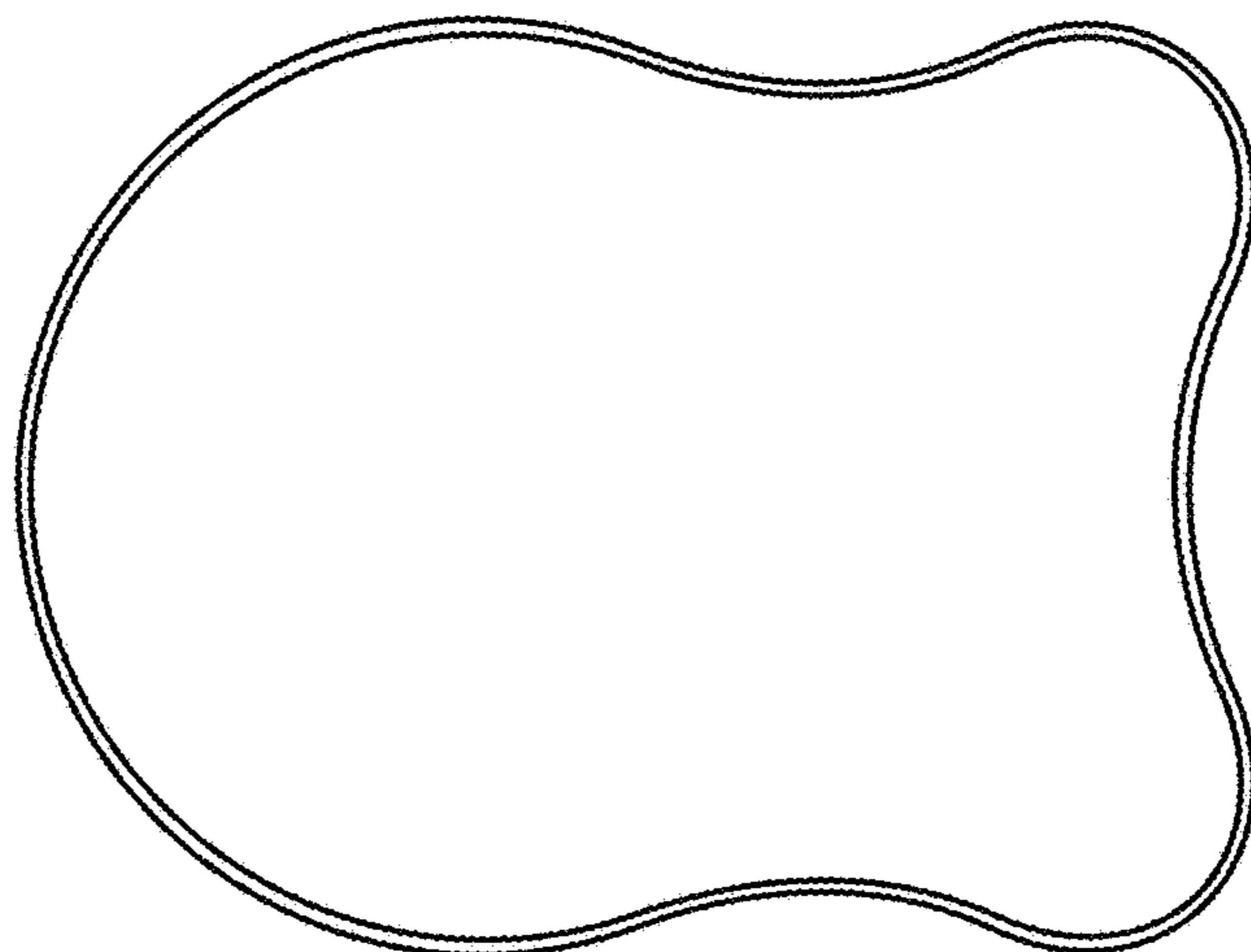


FIG. 1

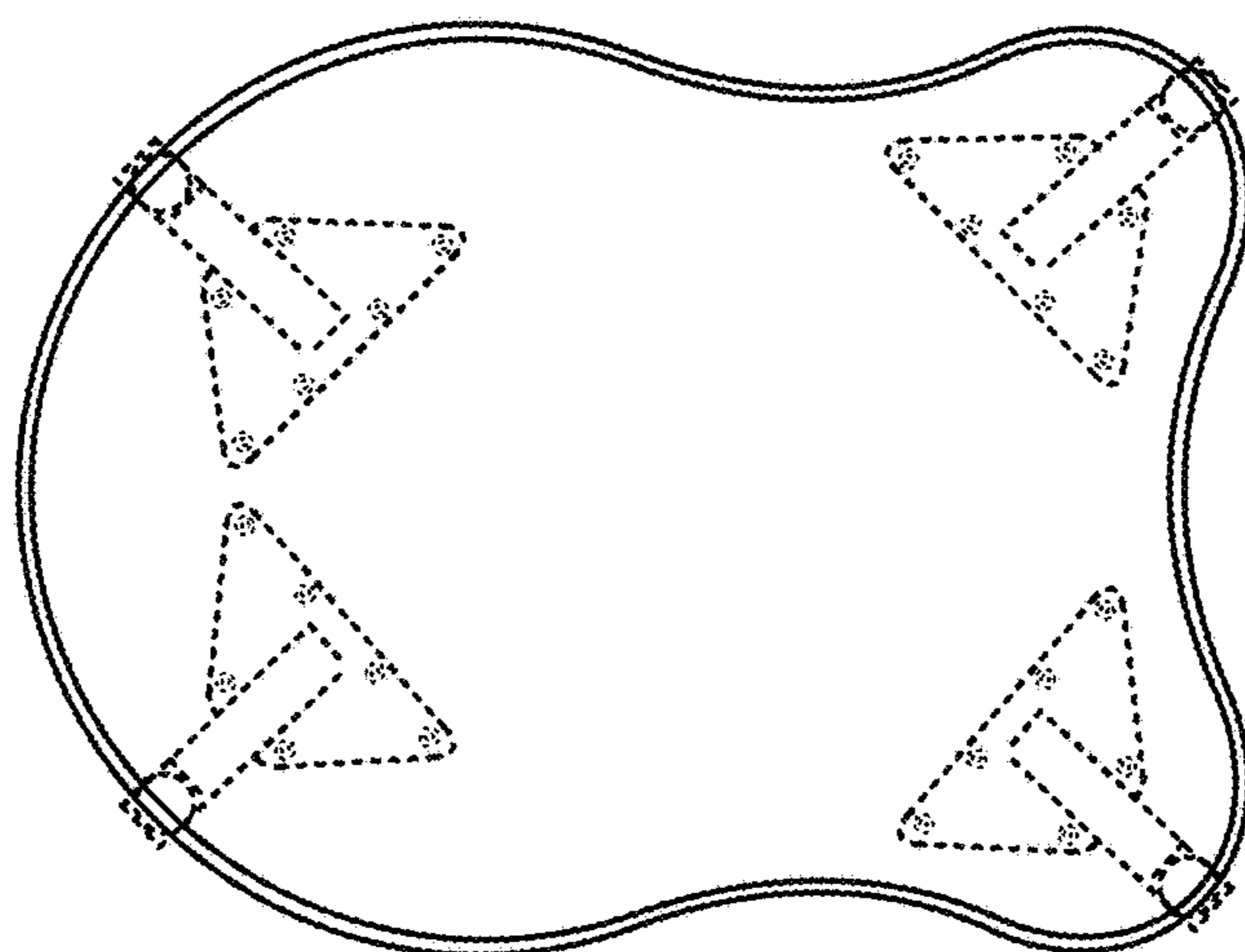


FIG. 2

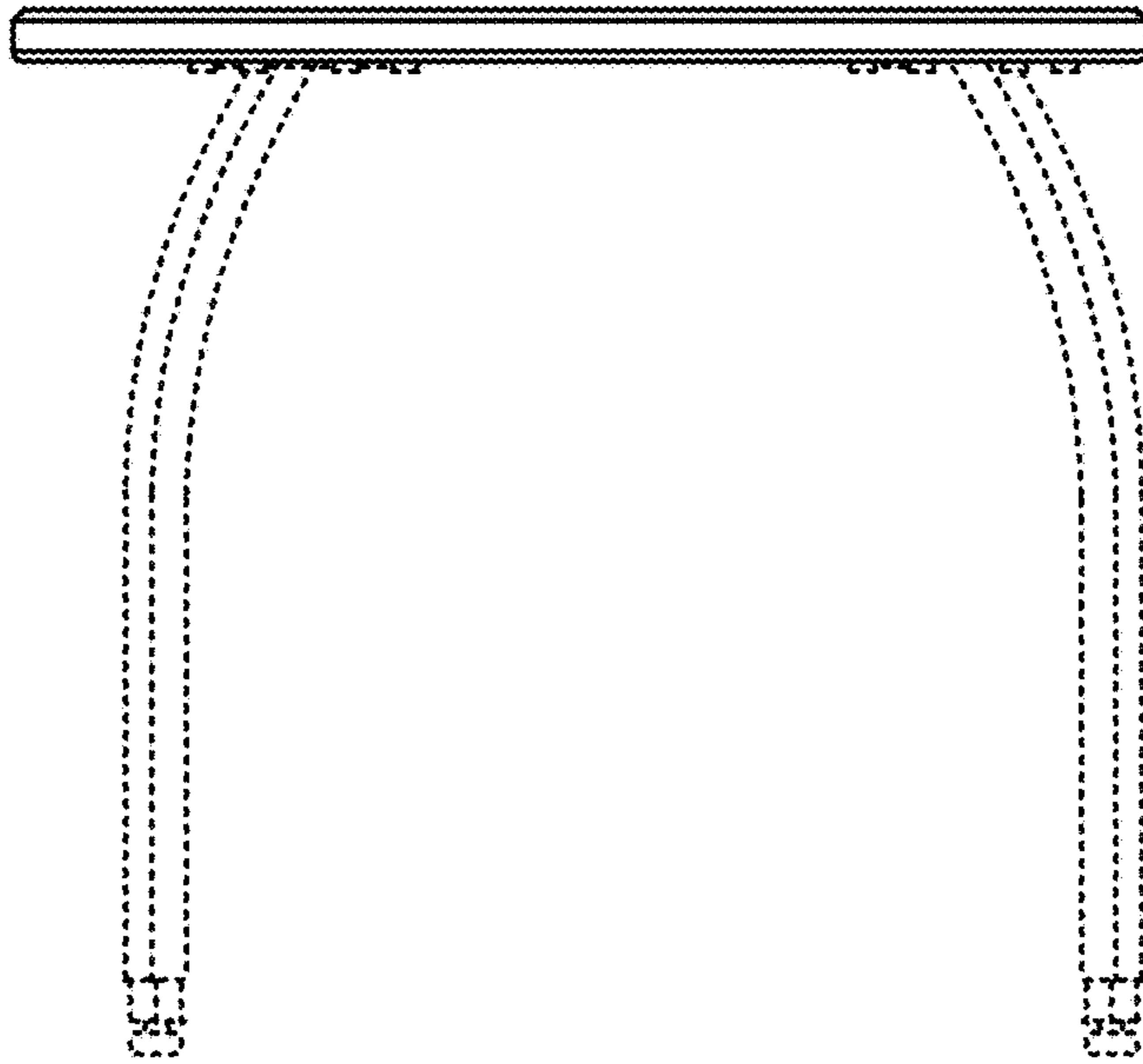


FIG. 3

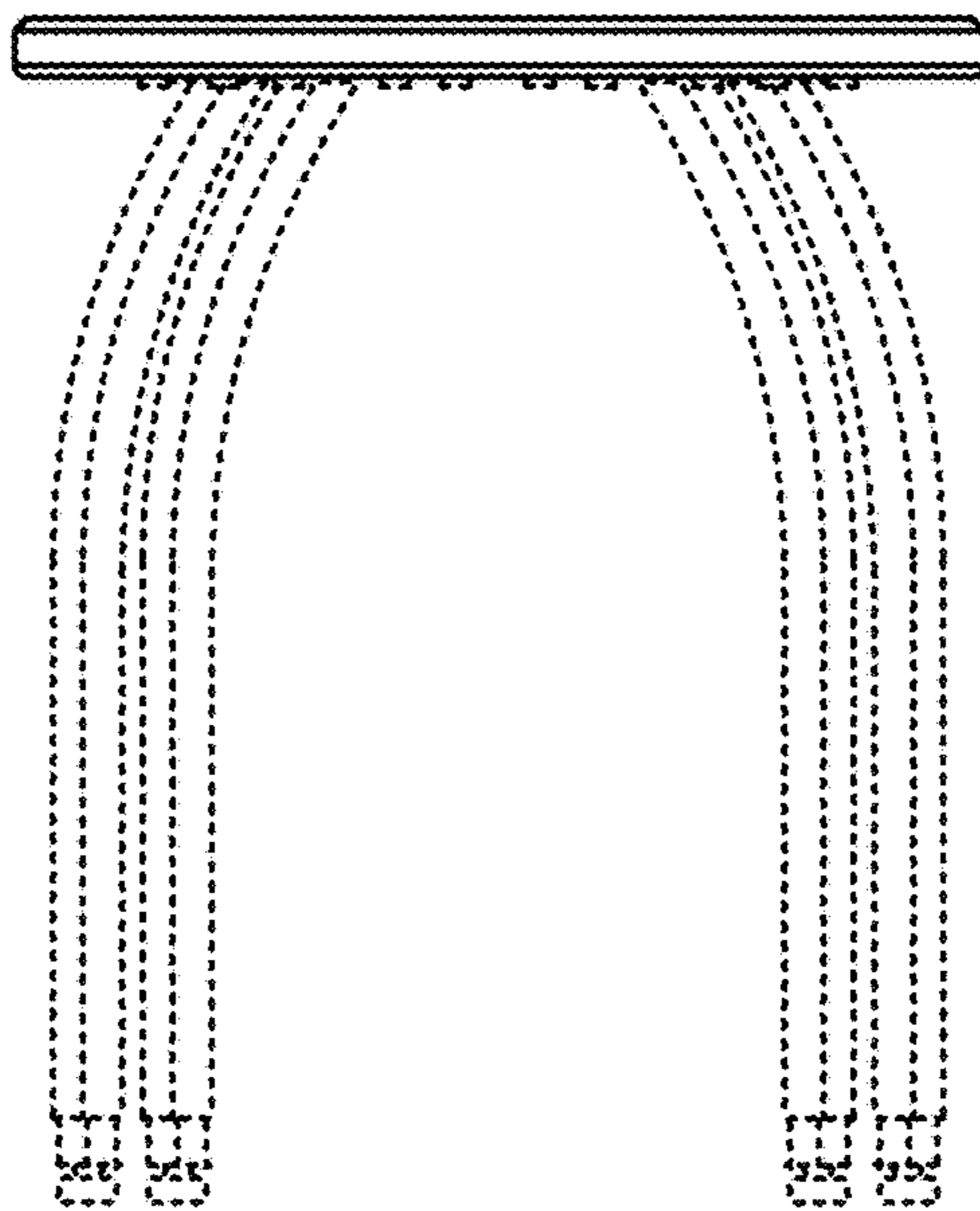


FIG. 4

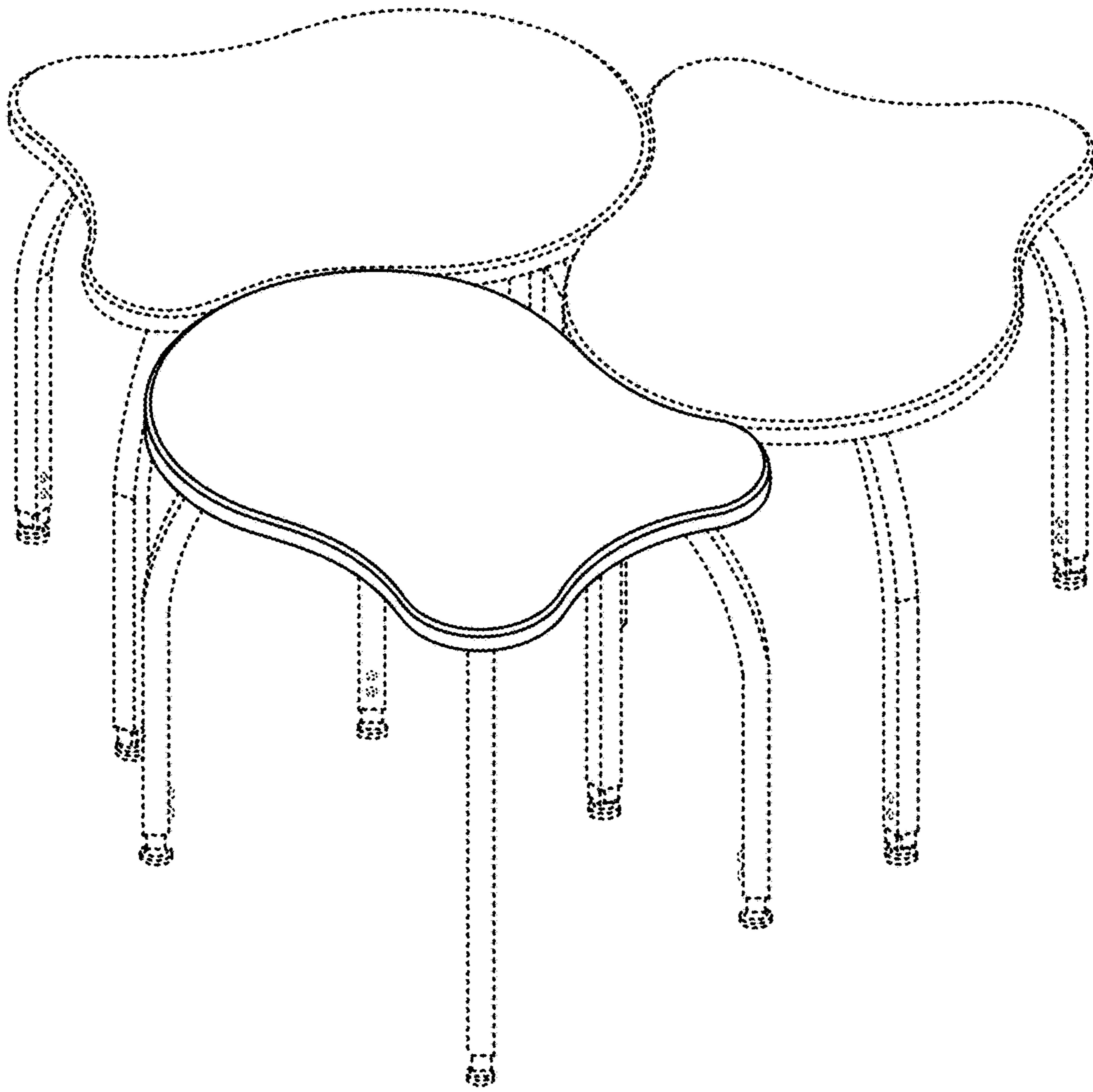


FIG. 5

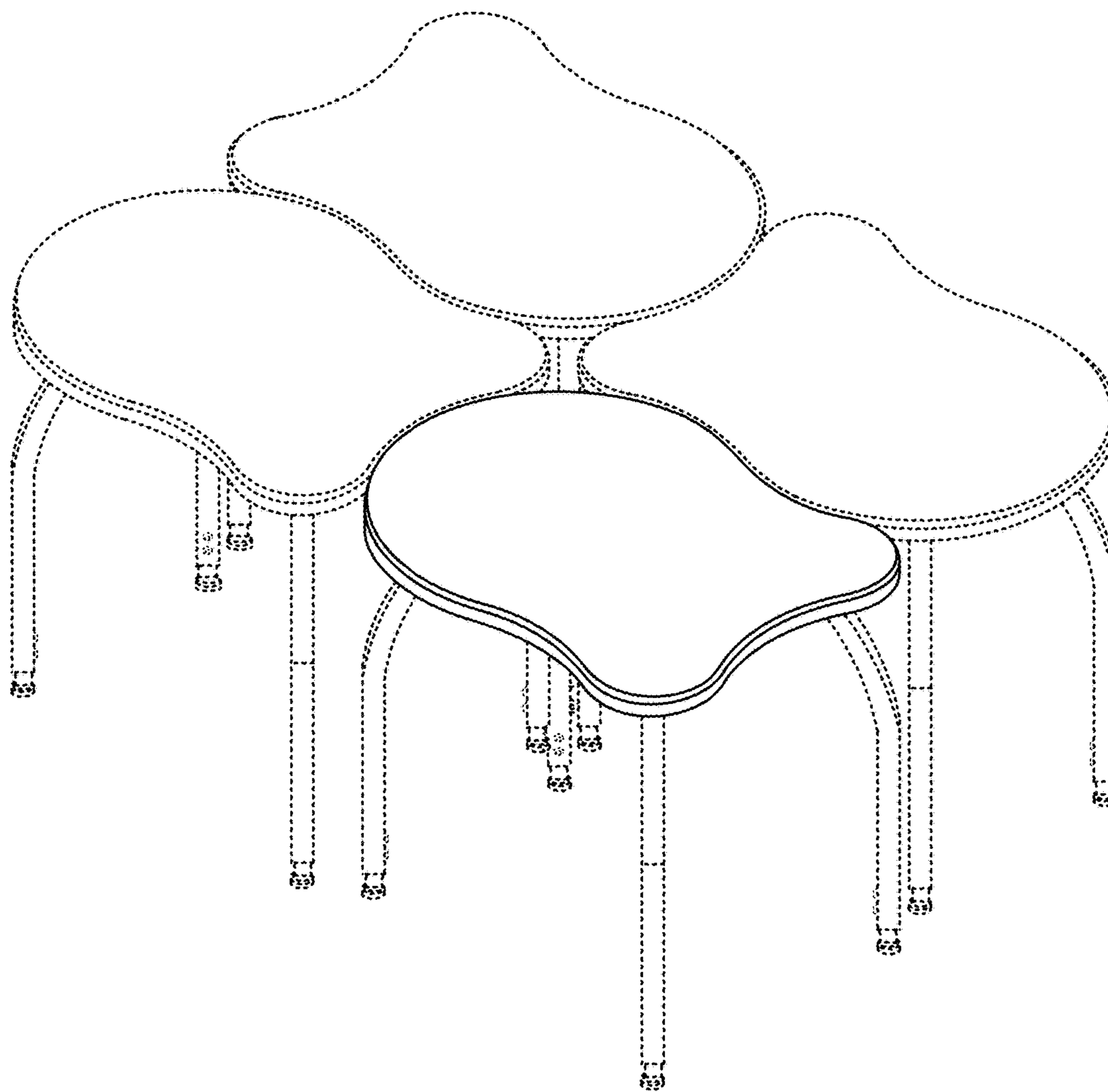


FIG. 6