



US00D780482S

(12) **United States Design Patent**
Uematsu

(10) **Patent No.:** **US D780,482 S**
(45) **Date of Patent:** **** Mar. 7, 2017**

(54) **BLIND SLAT**
(71) Applicant: **TACHIKAWA CORPORATION**,
Tokyo (JP)
(72) Inventor: **Takatoshi Uematsu**, Tokyo (JP)
(73) Assignee: **Tachikawa Corporation**, Tokyo (JP)
(**) Term: **15 Years**

2,229,225 A * 1/1941 Schneider B32B 27/00
160/173 R
2,582,162 A * 1/1952 Ray E06B 9/386
160/173 R
2,608,249 A * 8/1952 Sealy E06B 9/384
160/177 R
4,407,350 A * 10/1983 Nakamura E06B 9/367
160/178.1 V
D337,470 S * 7/1993 Hsu D6/580
D386,642 S * 11/1997 Schneider D6/580
D390,739 S * 2/1998 Zorbas D6/577

(Continued)

(21) Appl. No.: **35/500,750**

Primary Examiner — Mary Ann Calabrese

(22) Filed: **Sep. 24, 2015**

(74) *Attorney, Agent, or Firm* — Christensen O'Connor
Johnson Kindness PLLC

(80) **Hague Agreement Data**

Int. Filing Date: **Sep. 24, 2015**
Int. Reg. No.: **DM/088403**
Int. Reg. Date: **Sep. 24, 2015**
Int. Reg. Pub. Date: **Mar. 25, 2016**

(57) **CLAIM**

The ornamental design for a blind slat, as shown and described.

DESCRIPTION

(30) **Foreign Application Priority Data**

Apr. 30, 2015 (JP) 2015-009665

(51) **LOC (10) Cl.** **06-10**

(52) **U.S. Cl.**
USPC **D6/580**

(58) **Field of Classification Search**
USPC D6/575, 577, 580, 581
CPC ... E06B 9/00; E06B 9/26; E06B 9/262; E06B
9/384; E06B 9/386; E06B 9/388; E06B
2009/2622

See application file for complete search history.

1. Blind slat
1.1 is a top view,
1.2 is a bottom view;
1.3 is a front view, the rear view is a mirror image thereof;
1.4 is a right side view, the left side view is a mirror image thereof;
1.5 is an enlarged fragmentary top view of the slat showing the hole;
1.6 is an enlarged fragmentary bottom view of the slat showing the hole;
1.7 is a cross-sectional right view, through middle of the slat through the hole of view **1.5**; and,
1.8 is a cross-sectional front view, through middle of the slat through the hole of view **1.5**.

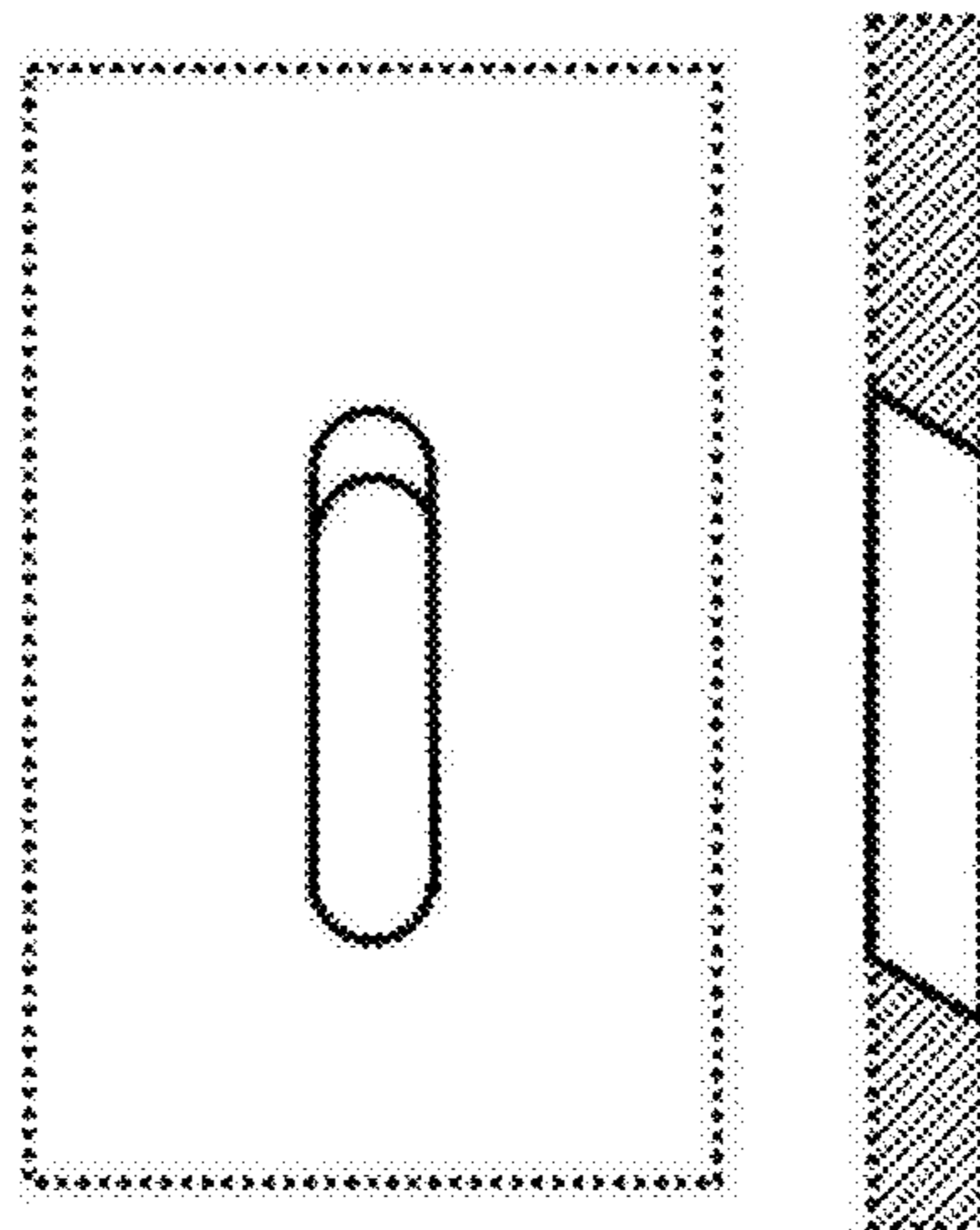
(56) **References Cited**

U.S. PATENT DOCUMENTS

2,068,977 A * 1/1937 Dodge E06B 9/386
156/65
2,086,461 A * 7/1937 Bogan E06B 9/388
160/173 R

The evenly spaced broken lines represent features that from no part of the claimed design. The dot-dash broken lines represent a symbolic break in the length. The appearance of any portion of the article between the break lines forms no part of the claimed design.

1 Claim, 8 Drawing Sheets



(56)

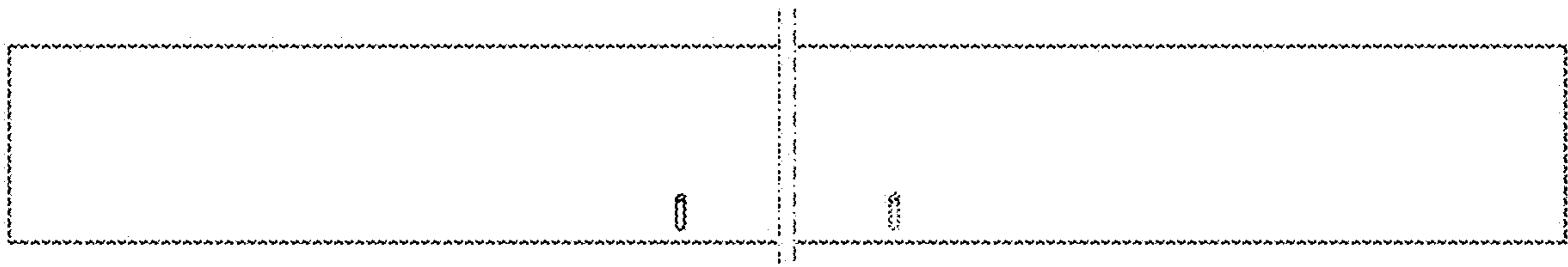
References Cited

U.S. PATENT DOCUMENTS

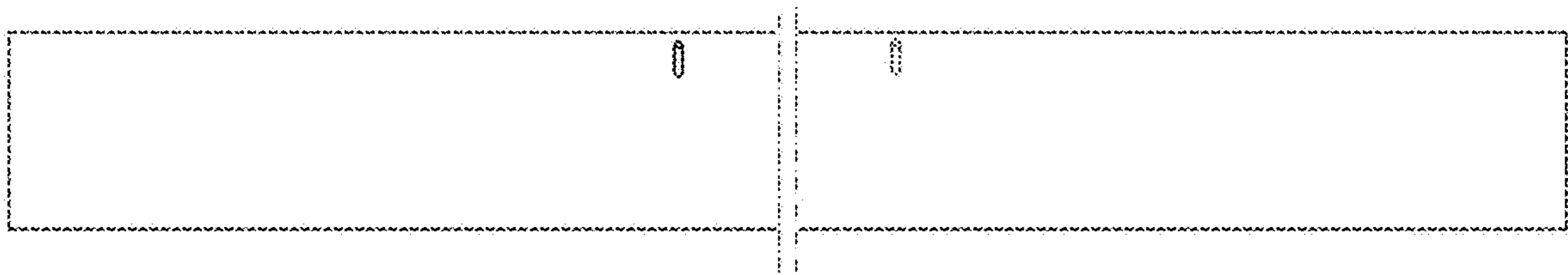
D505,737 S *	5/2005	Beranek	D25/136
D592,437 S *	5/2009	Chou	D6/580
D637,897 S *	5/2011	Tedesco	D8/380
D766,622 S *	9/2016	Juhasz	D6/601
2001/0054490 A1 *	12/2001	Corey	E06B 9/28
			160/236
2006/0060311 A1 *	3/2006	Hsu	E06B 9/386
			160/236
2012/0060329 A1 *	3/2012	Zhang	E06B 9/384
			24/115 F

* cited by examiner

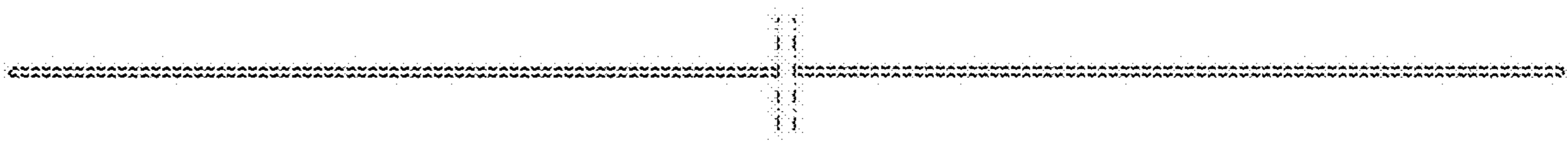
1.1



1.2



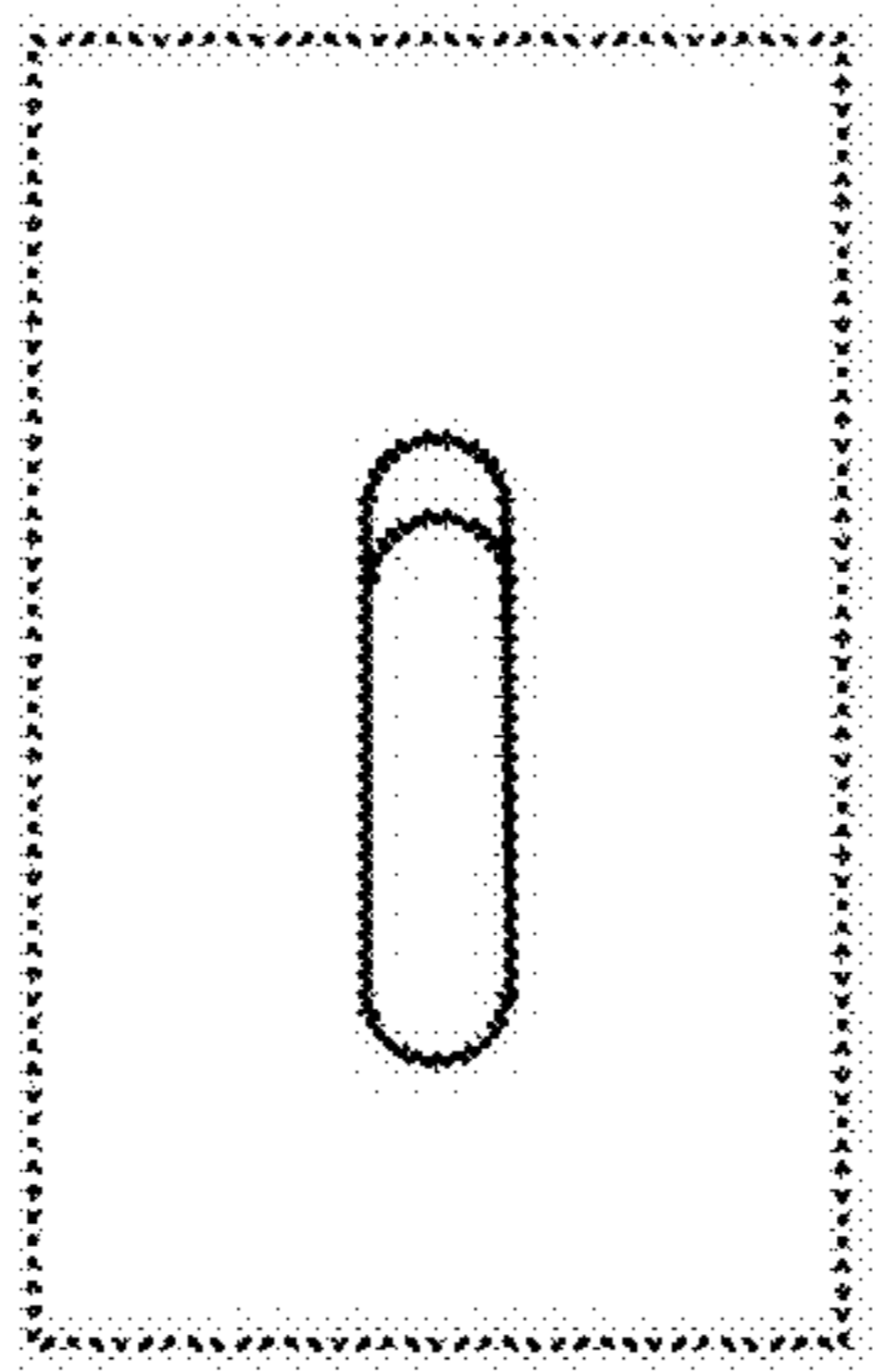
1.3



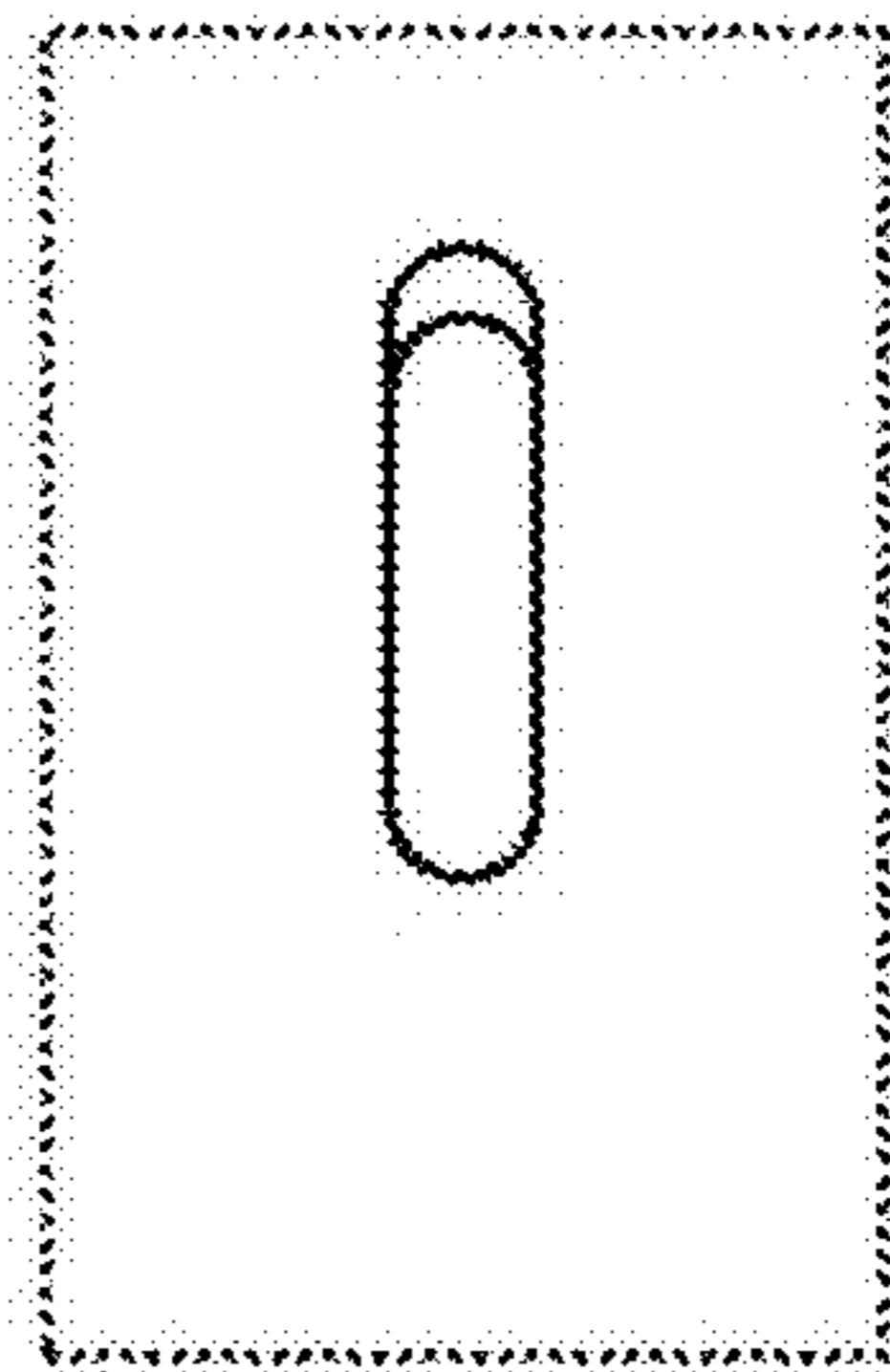
14

© 2017 Intel Corporation. All rights reserved. Intel, the Intel logo, and other marks contained herein are trademarks of Intel Corporation or its subsidiaries in the United States and other countries.

1.5



1.6



1.7



1.8

